



US00D912879S

(12) **United States Design Patent** (10) **Patent No.:** **US D912,879 S**
Hu (45) **Date of Patent:** **** Mar. 9, 2021**

(54) **LED BATHROOM VANITY LIGHT**

(71) Applicant: **Yuting Hu**, Foshan (CN)

(72) Inventor: **Yuting Hu**, Foshan (CN)

(**) Term: **15 Years**

(21) Appl. No.: **29/745,389**

(22) Filed: **Aug. 5, 2020**

(51) **LOC (13) Cl.** **26-03**

(52) **U.S. Cl.**
USPC **D26/85**

(58) **Field of Classification Search**
USPC D26/80, 85-87, 92, 76
CPC F21S 8/03; F21S 8/035; F21S 8/036
See application file for complete search history.

(56) **References Cited**

U.S. PATENT DOCUMENTS

D123,048 S *	10/1940	Doane	D26/76
D127,379 S *	5/1941	Parisson	D26/76
D136,797 S *	12/1943	Mareck	D26/76
D602,628 S *	10/2009	Benensohn	D26/61
D633,244 S *	2/2011	Kramer	D26/80
D756,553 S *	5/2016	Kim	D26/76
D782,099 S *	3/2017	Orozco	D26/85
D830,609 S *	10/2018	Sonneman	D26/87
D864,456 S *	10/2019	Lin	D26/76
D869,730 S	12/2019	Lin	
D876,700 S *	2/2020	Patterson	D26/76
D887,614 S	6/2020	Lin	
D897,022 S *	9/2020	Guo	D26/76
D906,574 S *	12/2020	Jiang	D26/85
D907,276 S *	1/2021	Jiang	D26/87

OTHER PUBLICATIONS

Contemporary Square 3-Light Brushed Nickel 3K LED Vanity Light by Lithonia Lighting available at homedepot.com as early as Apr. 13, 2019. (Year: 2019).*
Vanity Light 16W 23.8inches LED Acrylic Rectangle Tube from the YHTlaeh Store at amazon.com May 15, 2018. (Year: 2018).*
Maxim 52004PC Spec ADA & JA8 Compliant Energy Star Acrylic LED Bath Vanity Bar available at amazon.com Jul. 10, 2018. (Year: 2018).*

* cited by examiner

Primary Examiner — Clare E Heflin

(74) *Attorney, Agent, or Firm* — ScienBiziP, P.C.

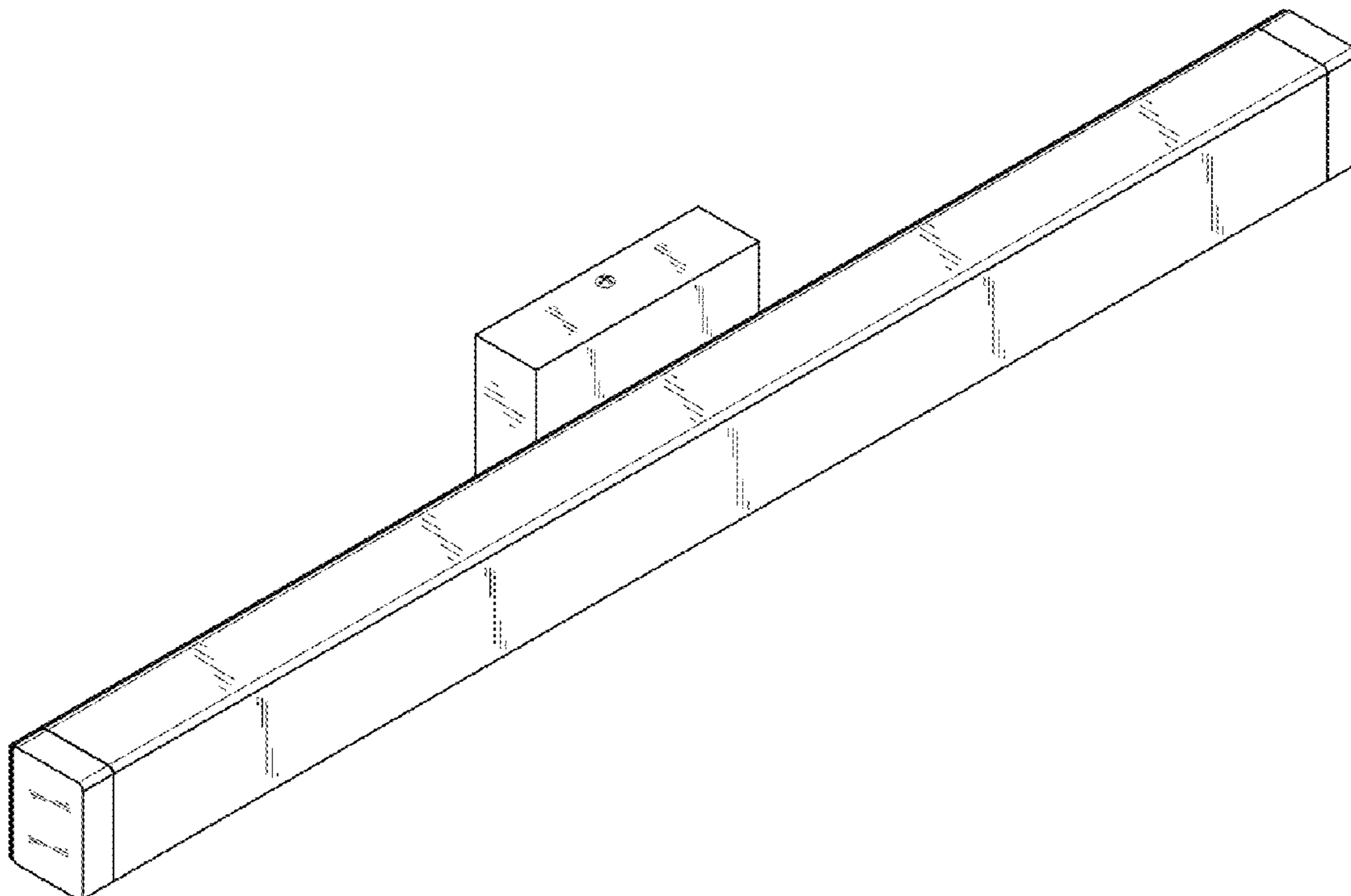
(57) **CLAIM**

The ornamental design for the LED bathroom vanity light, as shown and described.

DESCRIPTION

FIG. 1 is a front perspective view of the LED bathroom vanity light, showing my design.
FIG. 2 is a front elevation view thereof.
FIG. 3 is a rear elevation view thereof.
FIG. 4 is a left side elevation view thereof.
FIG. 5 is a right side elevation view thereof.
FIG. 6 is a top plan view thereof.
FIG. 7 is a bottom plan view thereof; and,
FIG. 8 is a rear perspective view thereof.
The broken lines on the drawings represent portions of the LED bathroom vanity light that form no part of the claimed design.

1 Claim, 8 Drawing Sheets



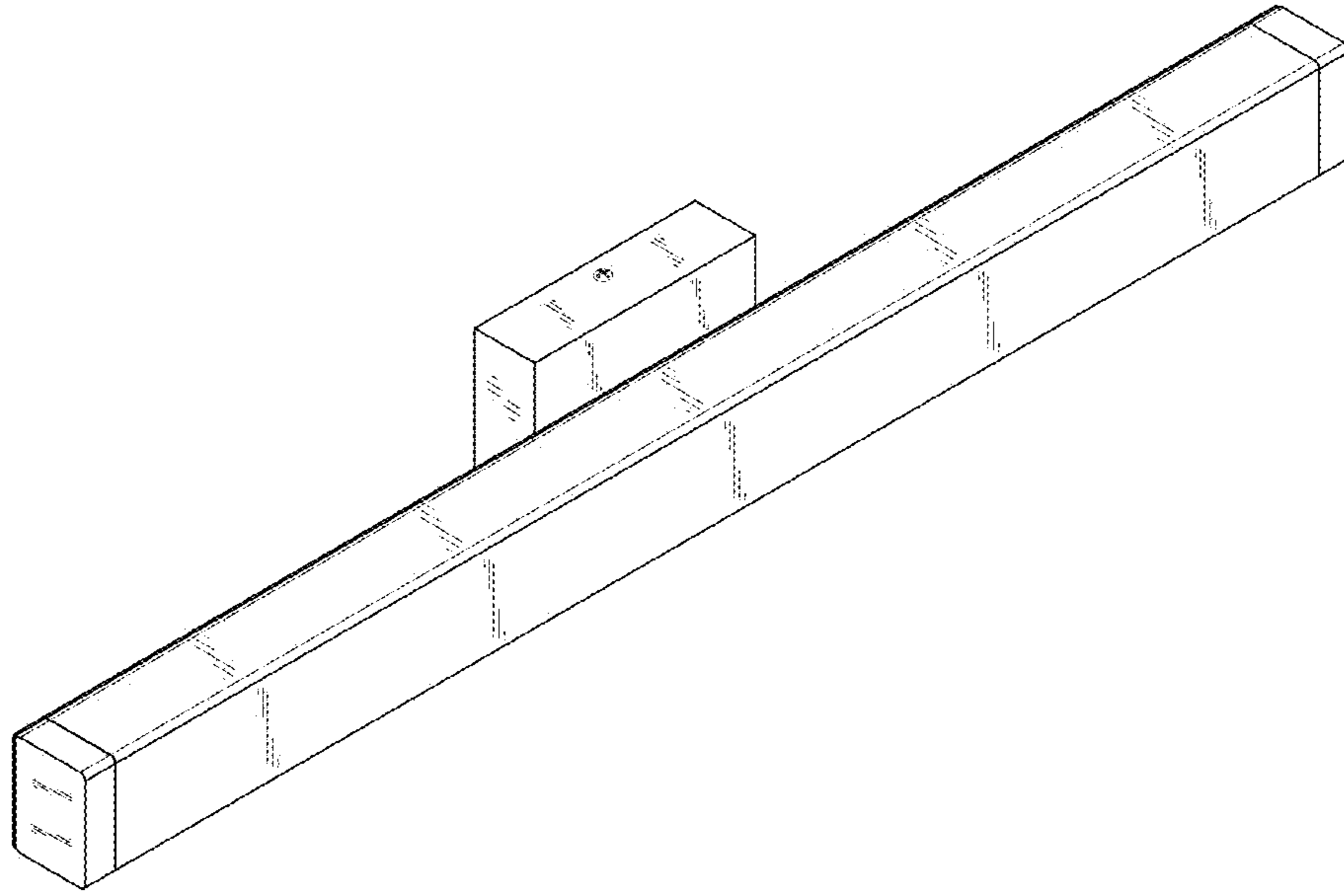


FIG.1

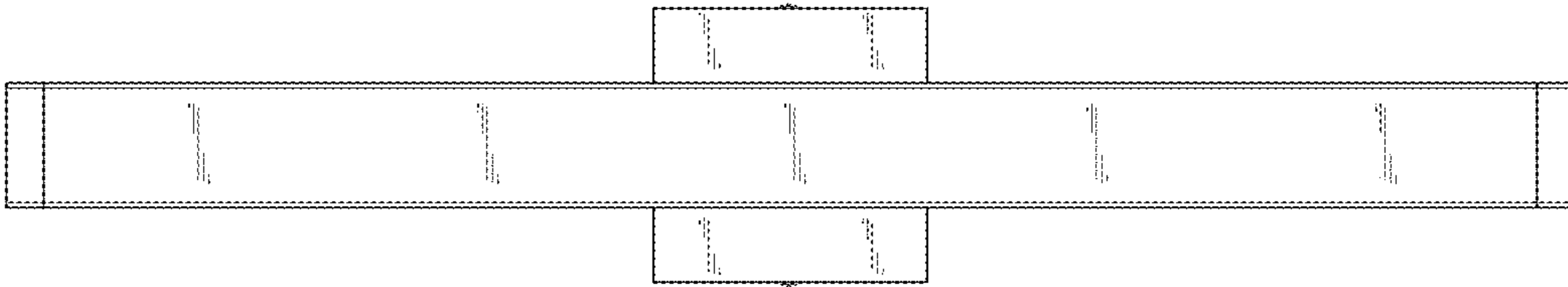


FIG.2

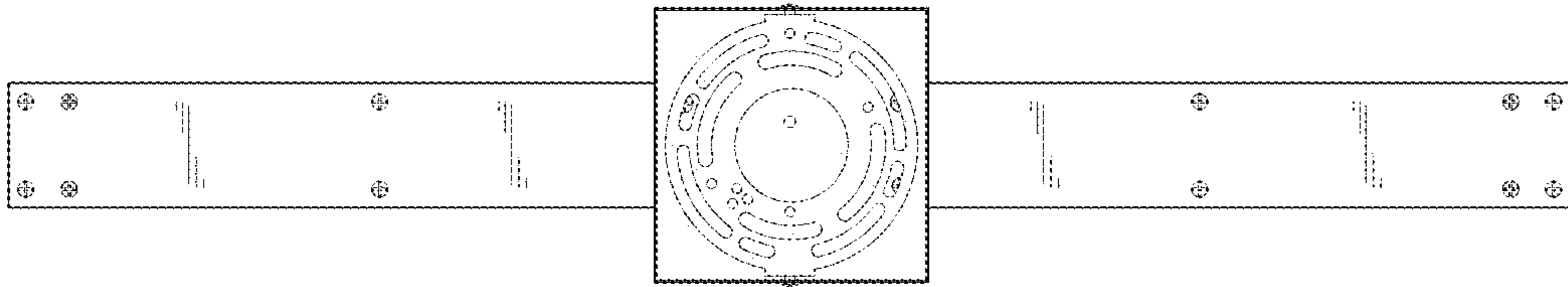


FIG.3

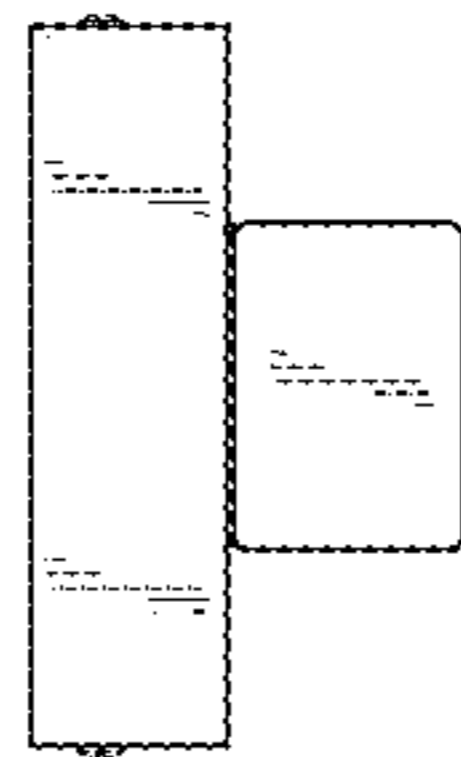


FIG.4

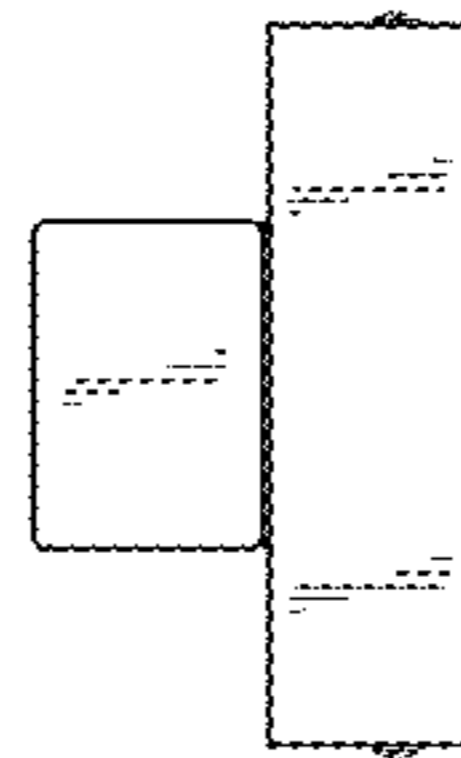


FIG.5

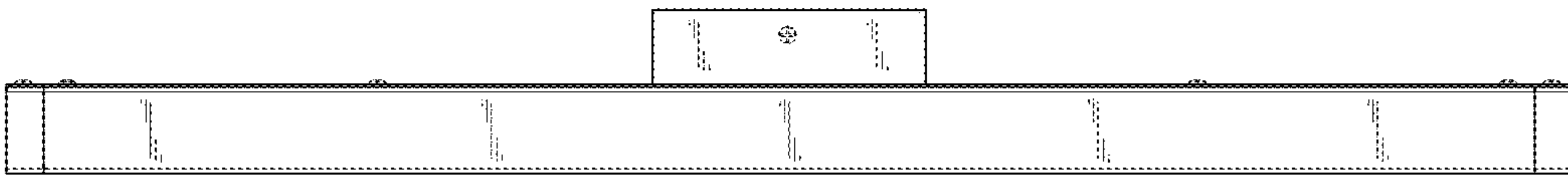


FIG.6

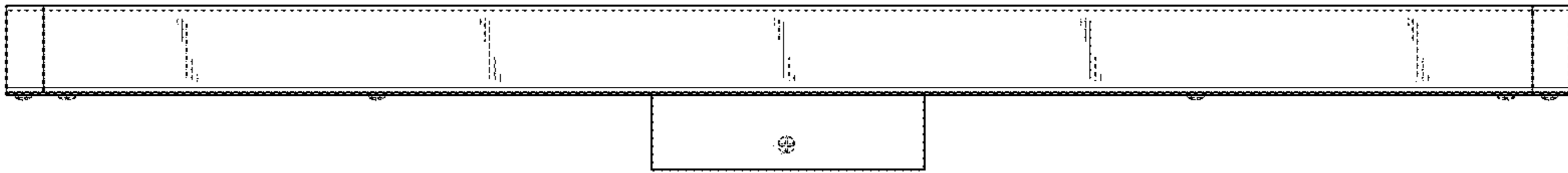


FIG.7

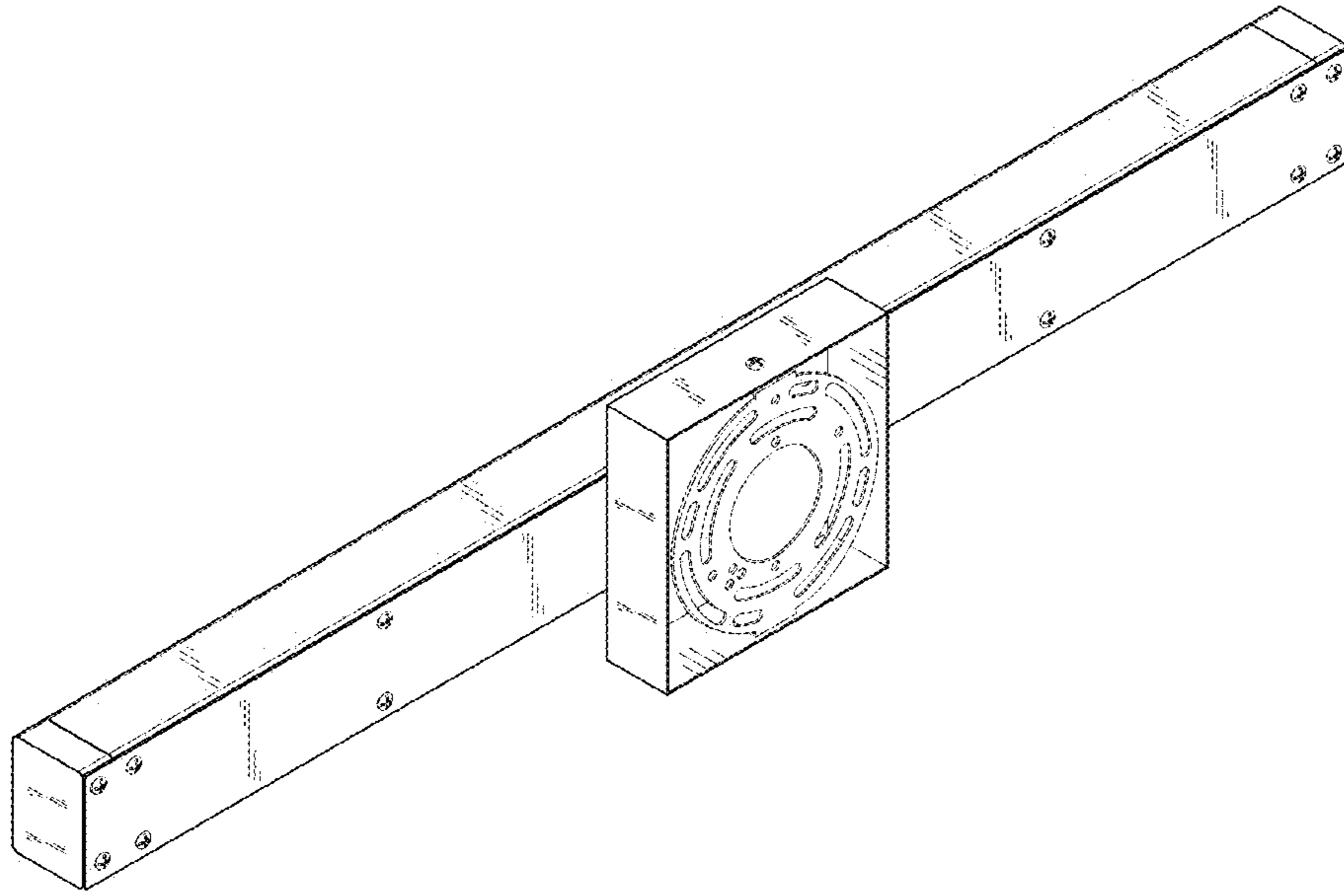


FIG.8