



US00D912876S

(12) **United States Design Patent** (10) **Patent No.:** **US D912,876 S**
Ho et al. (45) **Date of Patent:** **** Mar. 9, 2021**

(54) **LIGHT FIXTURE**
(71) Applicant: **ABL IP Holding LLC**, Atlanta, GA
(US)

D468,453 S * 1/2003 Schrader D25/121
D544,129 S * 6/2007 Hargreaves D26/75
D545,475 S * 6/2007 Hargreaves D26/75
(Continued)

(72) Inventors: **Thomas Ho**, Montreal (CA); **Louis Thomas-Berube**, Montreal (CA); **Francois Renaud**, Montreal (CA); **Dirk Zylstra**, Montreal (CA)

FOREIGN PATENT DOCUMENTS

CN 301636102 * 8/2011
KR 300429386.0000 * 11/2006

(73) Assignee: **ABL IP Holding LLC**, Atlanta, GA
(US)

OTHER PUBLICATIONS

“AntLux 4FT LED Wraparound Light Fixture 50W Ultra Slim LED Shop Lights,” Sep. 13, 2018, amazon.com, site visited Nov. 4, 2020, URL: https://www.amazon.com/AntLux-Wraparound-Fixture-Neutral-Workshop/dp/B07HBRB3TZ/ref=sr_1_56?dchild=1&keywords=wraparound+lens+lights&sr=8-56 (Year: 2018).*

(**) Term: **15 Years**

(Continued)

(21) Appl. No.: **29/692,653**

(22) Filed: **May 28, 2019**

Primary Examiner — Eric L Goodman

(51) **LOC (13) Cl.** **26-05**

Assistant Examiner — Sarah L Smith

(52) **U.S. Cl.**
USPC **D26/76**

(74) *Attorney, Agent, or Firm* — Kilpatrick Townsend & Stockton LLP

(58) **Field of Classification Search**
USPC D26/24–27, 60–69, 72, 74–78, 80–83,
D26/85–86, 89, 93, 104, 106, 108–115,
D26/118, 120; D10/111–115;
D25/119–122

(57) **CLAIM**

The ornamental design for a light fixture, as shown and described.

CPC F21S 8/00; F21S 8/03; F21S 8/04; F21S 8/026; F21S 8/046; F21S 8/088; F21V 15/00; F21V 15/01

DESCRIPTION

See application file for complete search history.

FIG. 1 is a top perspective view of a light fixture.
FIG. 2 is a bottom perspective view taken from a bottom, right side thereof;
FIG. 3 is a left side elevation view thereof;
FIG. 4 is a right side elevation view thereof;
FIG. 5 is a front side elevation view thereof;
FIG. 6 is a rear side elevation view thereof;
FIG. 7 is a bottom plan view thereof; and,
FIG. 8 is a top plan view thereof.

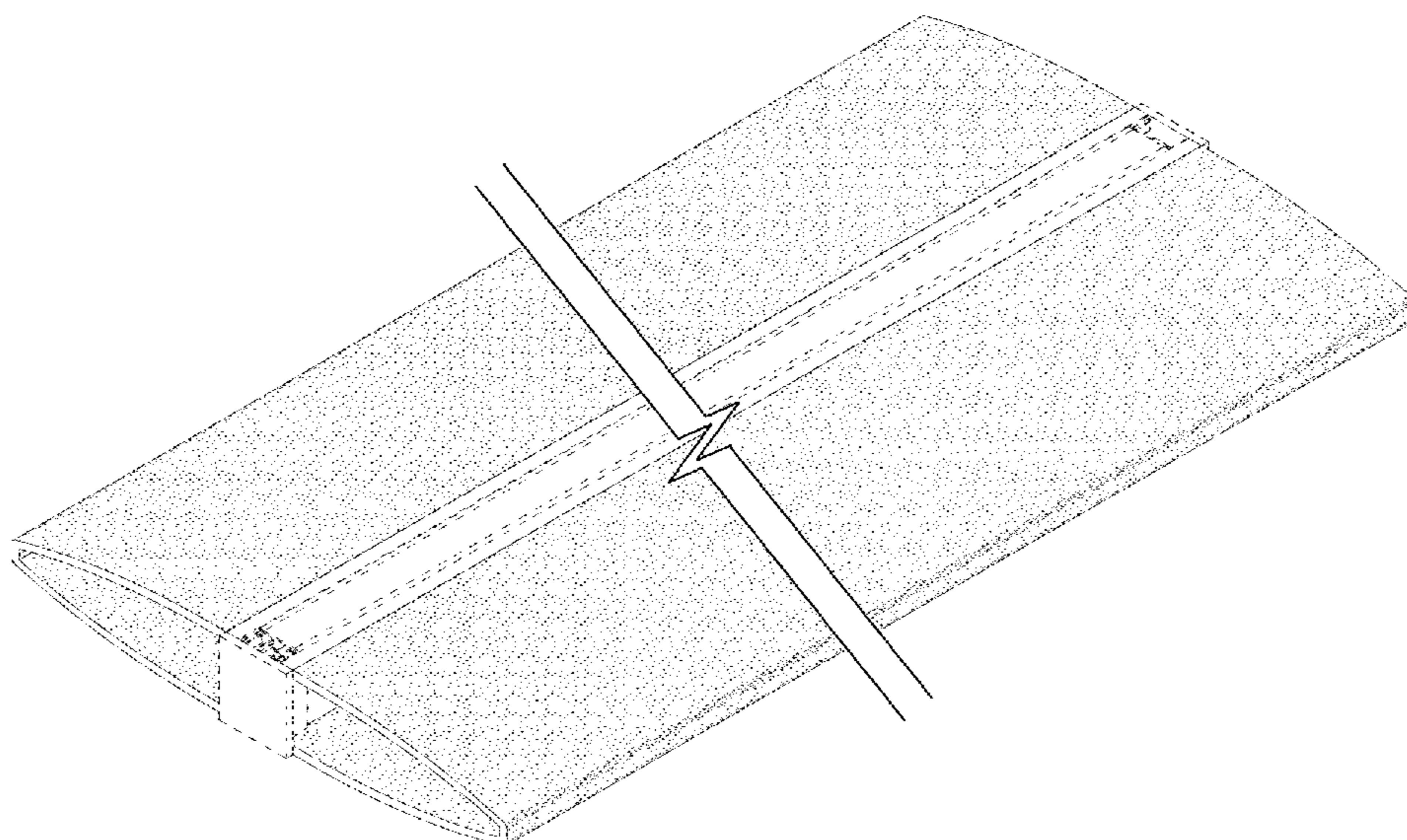
The light fixture is shown with a symbolic break in its length. The appearance of any portion of the article between the break lines forms no part of the claimed design.

(56) **References Cited**

U.S. PATENT DOCUMENTS

D150,735 S * 8/1948 Schwartz D26/78
D151,575 S * 10/1948 Winkler D26/77
D175,053 S * 6/1955 Vesely D26/67
D186,952 S * 12/1959 Akely D26/76
D191,531 S * 10/1961 Spaulding D26/76
D193,022 S * 6/1962 Zurawski D26/76
D208,491 S * 9/1967 Brooks D26/71
D452,030 S * 12/2001 Collver D26/76

1 Claim, 6 Drawing Sheets



(56)

References Cited

U.S. PATENT DOCUMENTS

D562,487 S * 2/2008 Romo F21S 2/00
D26/67
D604,002 S * 11/2009 Santoro F21V 15/01
D26/76
D743,610 S * 11/2015 Inzinger D26/77
D760,523 S * 7/2016 Bonuccelli D6/709
2002/0064050 A1 * 5/2002 Yaphe F21S 2/00
362/404
2002/0080606 A1 * 6/2002 Yaphe F21V 15/01
362/219

OTHER PUBLICATIONS

“AntLux 72W 4FT LED Wraparound Office Light,” Sep. 16, 2018, amazon.com, site visited Nov. 4, 2020, URL: https://www.amazon.com/Wraparound-Ceiling-Lighting-Fluorescent-Replacement/dp/B07RZ816MR/ref=sr_1_35?dchild=1&keywords=wrap+around+lights&sr=8-35 (Year: 2018).*

* cited by examiner

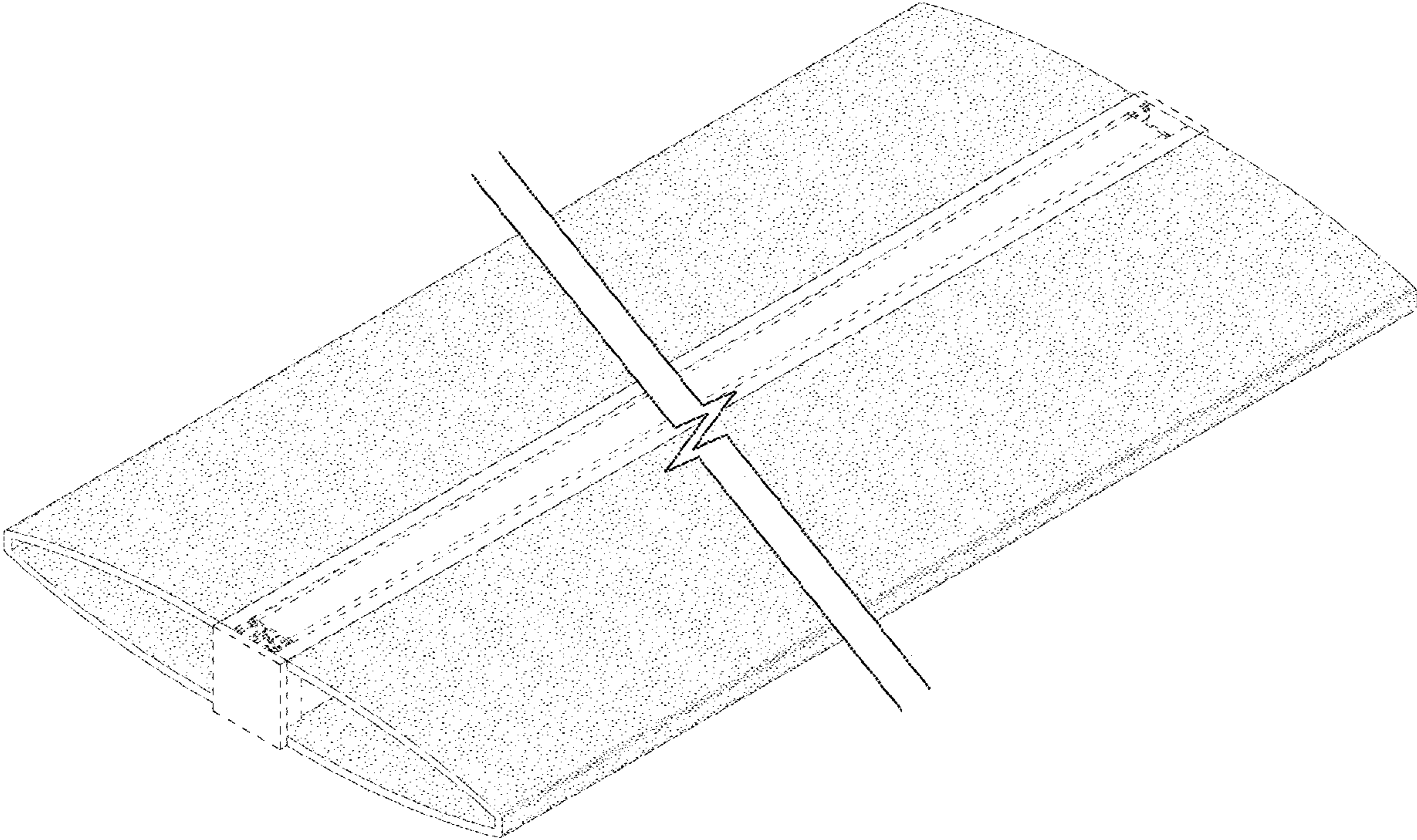


FIG.1

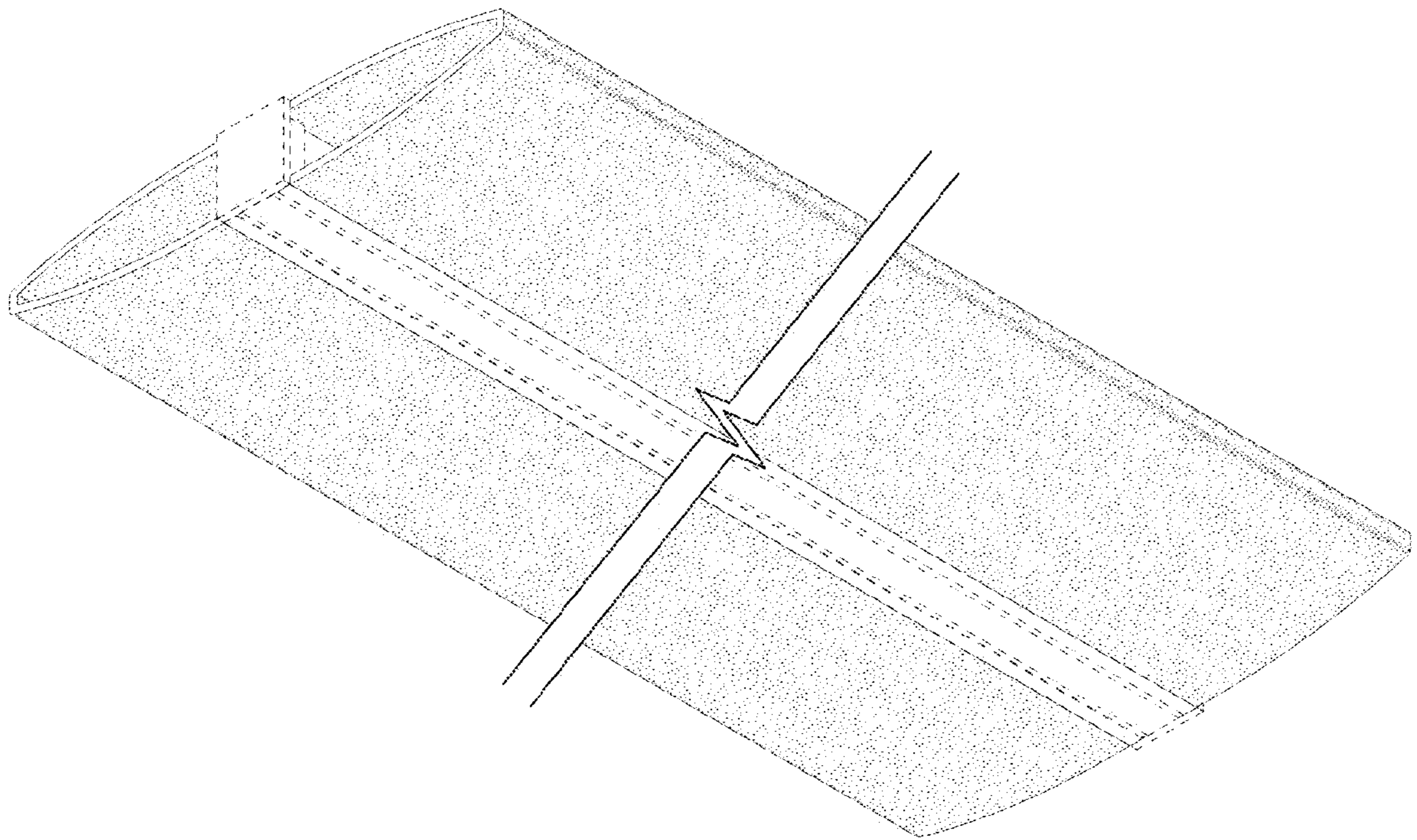


FIG.2

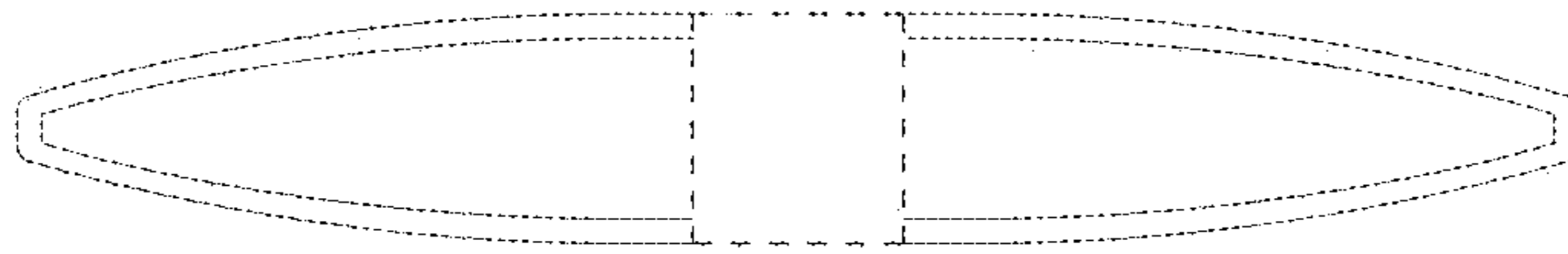


FIG.3



FIG.4

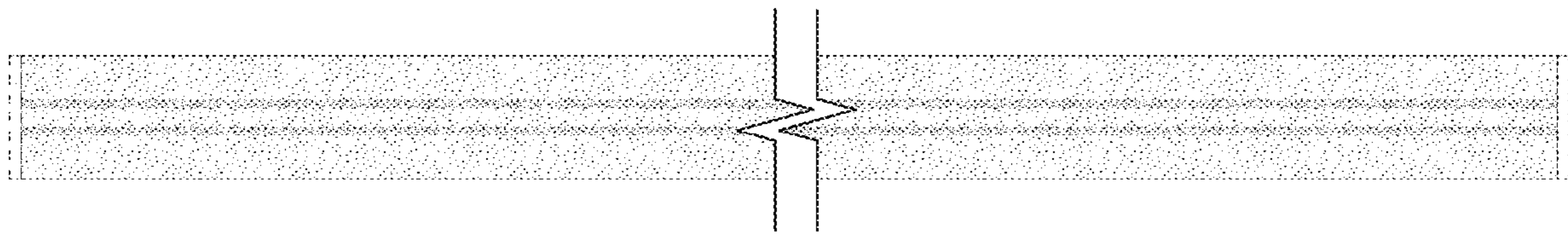


FIG.5

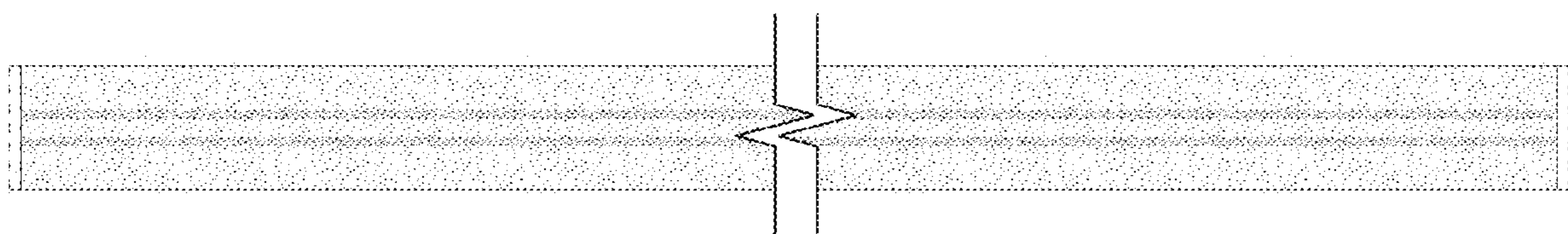


FIG.6

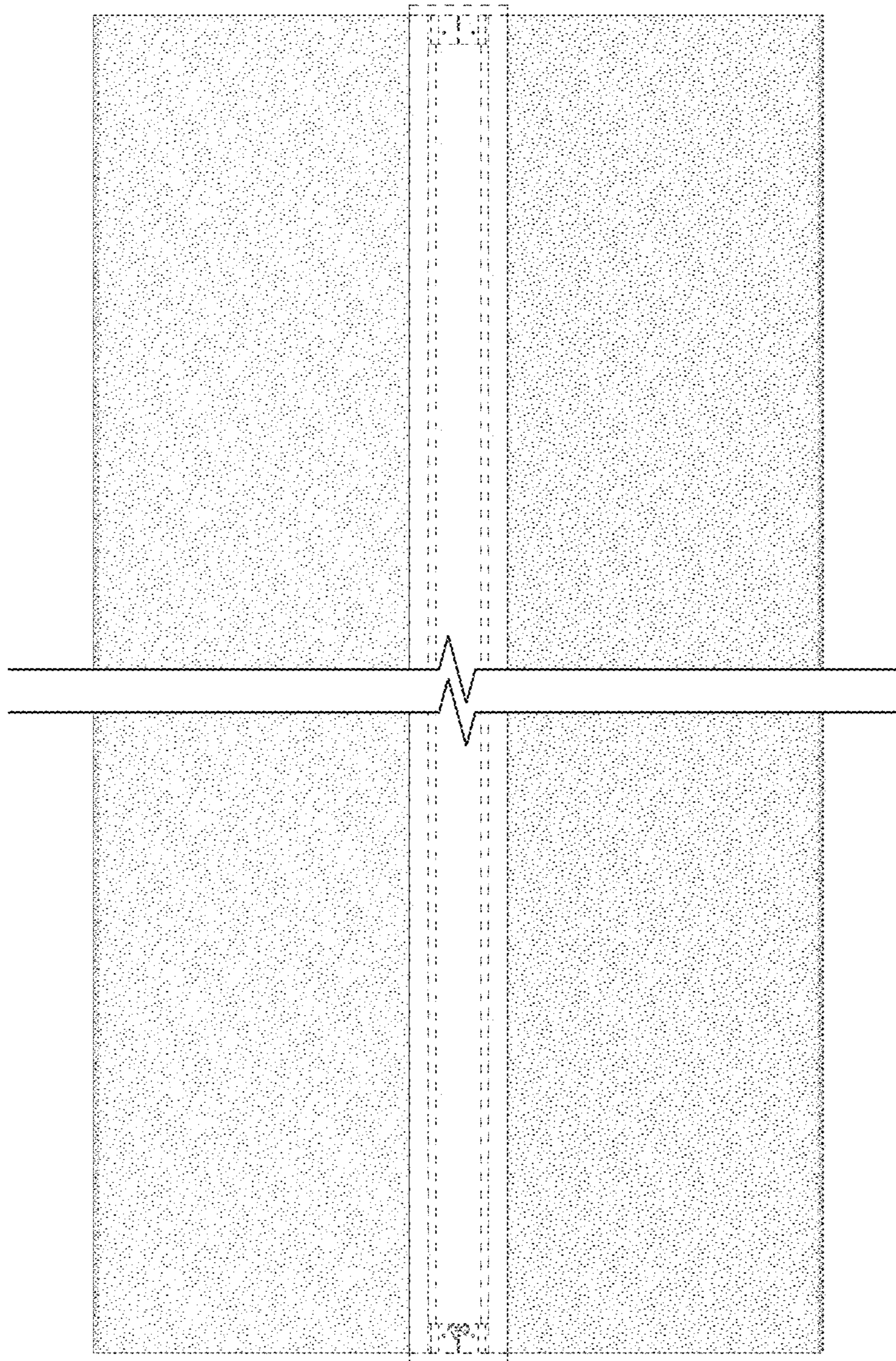


FIG. 7

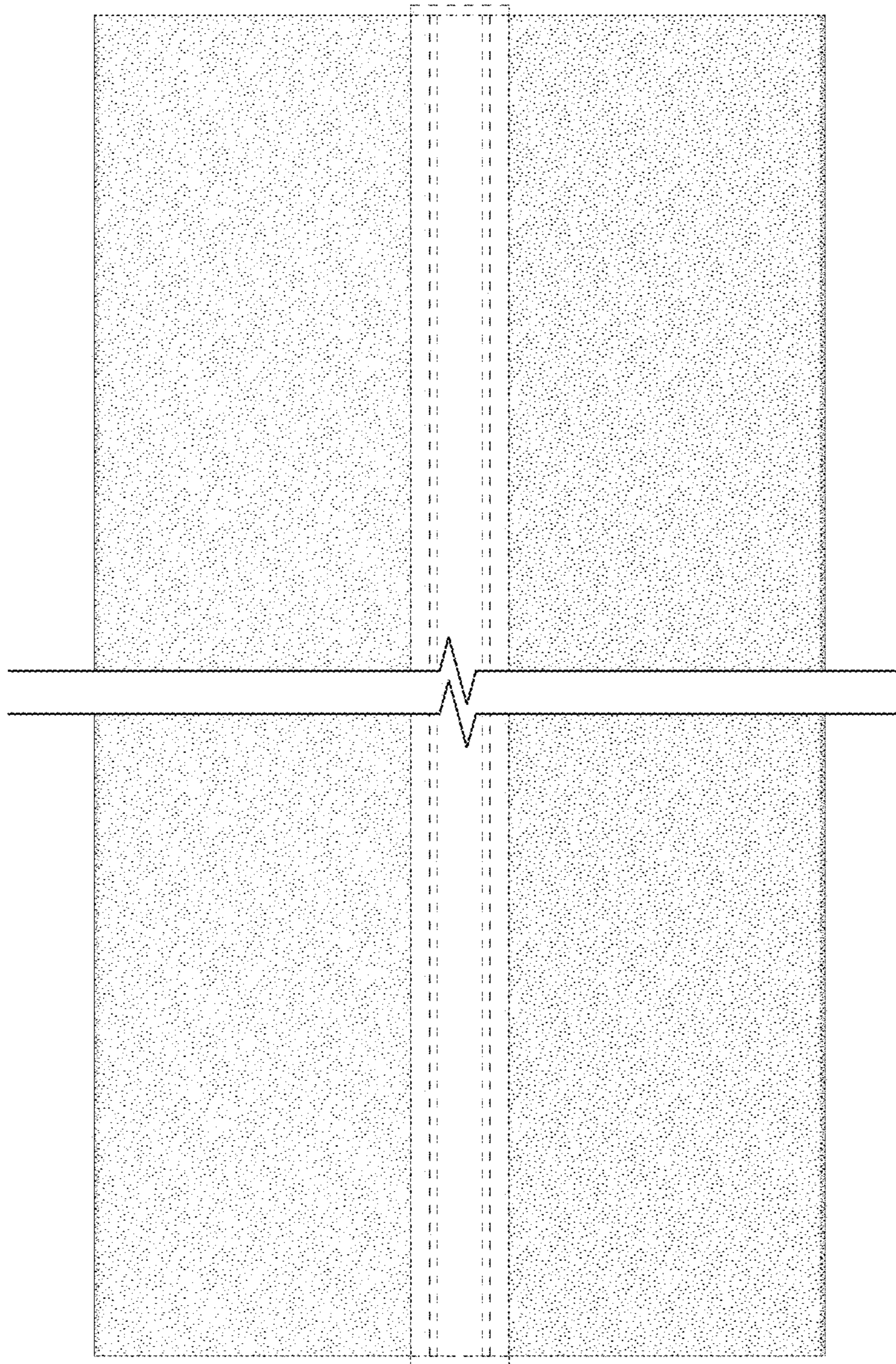


FIG.8