



US00D912874S

(12) **United States Design Patent**
Weber

(10) **Patent No.:** **US D912,874 S**

(45) **Date of Patent:** **** Mar. 9, 2021**

(54) **LIGHT FIXTURE**

(71) Applicant: **ANTARES ILUMINACIÓN, S.A.**,
Valencia (ES)

(72) Inventor: **Federico Martinez Weber**, Valencia
(ES)

(73) Assignee: **ANTARES ILUMINACIÓN, S.A.**,
Valencia (ES)

(**) Term: **15 Years**

(21) Appl. No.: **29/696,465**

(22) Filed: **Jun. 27, 2019**

(51) **LOC (13) Cl.** **26-05**

(52) **U.S. Cl.**
USPC **D26/74**

(58) **Field of Classification Search**
USPC D26/74, 72, 75, 76, 77, 78, 85, 88, 89,
D26/118, 138, 141, 67, 70; 362/364,
362/365, 373, 145, 146, 147, 148, 150,
362/153, 153.1, 294, 296.01, 296.07,
362/296.08

CPC F21V 29/2262; F21V 7/06; F21V 21/044;
F21V 21/047; F21V 29/2212; F21V
29/2225; F21V 29/2256; F21V 29/225;
F21V 29/2268; F21Y 2111/002; F21S
8/02; F21S 8/026

See application file for complete search history.

(56) **References Cited**

U.S. PATENT DOCUMENTS

D247,756 S * 4/1978 Nagelkerke D24/210
D264,254 S * 5/1982 Heritage D26/63

D397,818 S * 9/1998 Herst D26/119
D580,086 S * 11/2008 Condon D26/72
D615,236 S * 5/2010 Beghelli D26/74
D633,244 S * 2/2011 Kramer D26/80
D672,900 S * 12/2012 Gailly D26/80
D699,880 S * 2/2014 Szoke D26/74
D768,903 S * 10/2016 Guzzini D26/74
D788,968 S * 6/2017 Salomon D26/74
D808,566 S * 1/2018 Goetz-Schaefer D26/76
D853,011 S * 7/2019 Coirier D26/74
D858,809 S * 9/2019 Kang D26/24

* cited by examiner

Primary Examiner — Angela J Lee

(74) *Attorney, Agent, or Firm* — Rothwell, Fgg, Ernst &
Manbeck, P.C.

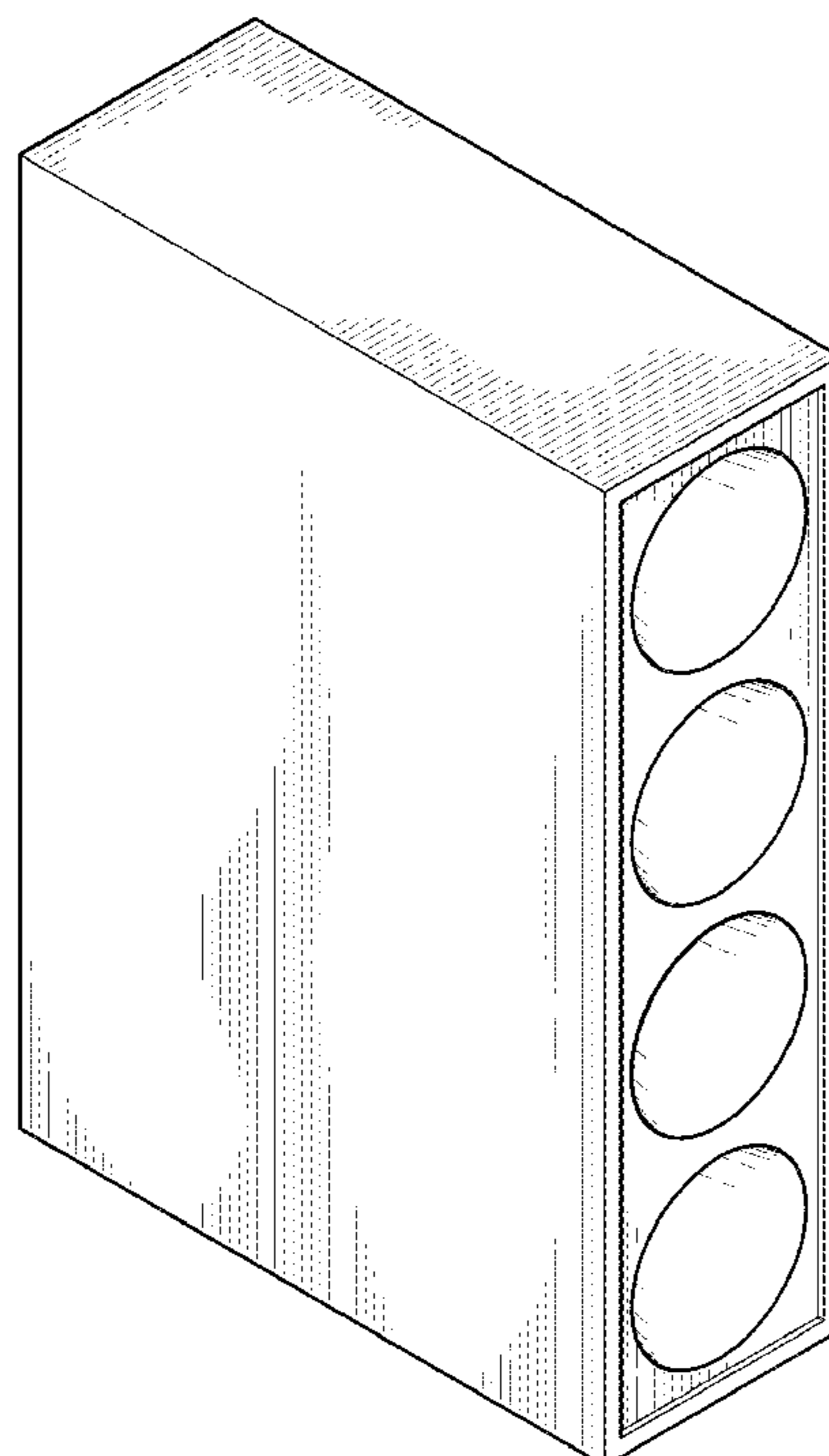
(57) **CLAIM**

The ornamental design for light fixture, as shown and
described.

DESCRIPTION

FIG. 1 is a perspective view of the top, front, and left side
of the light fixture;
FIG. 2 is a front view of the light fixture;
FIG. 3 is a rear view of the light fixture;
FIG. 4 is a right side view of the light fixture, which is
identical to the left side view of the light fixture;
FIG. 5 is a top view of the light fixture;
FIG. 6 is a bottom view of the light fixture; and,
FIG. 7 is a perspective view of the top, rear, and left side of
the light fixture.

1 Claim, 5 Drawing Sheets



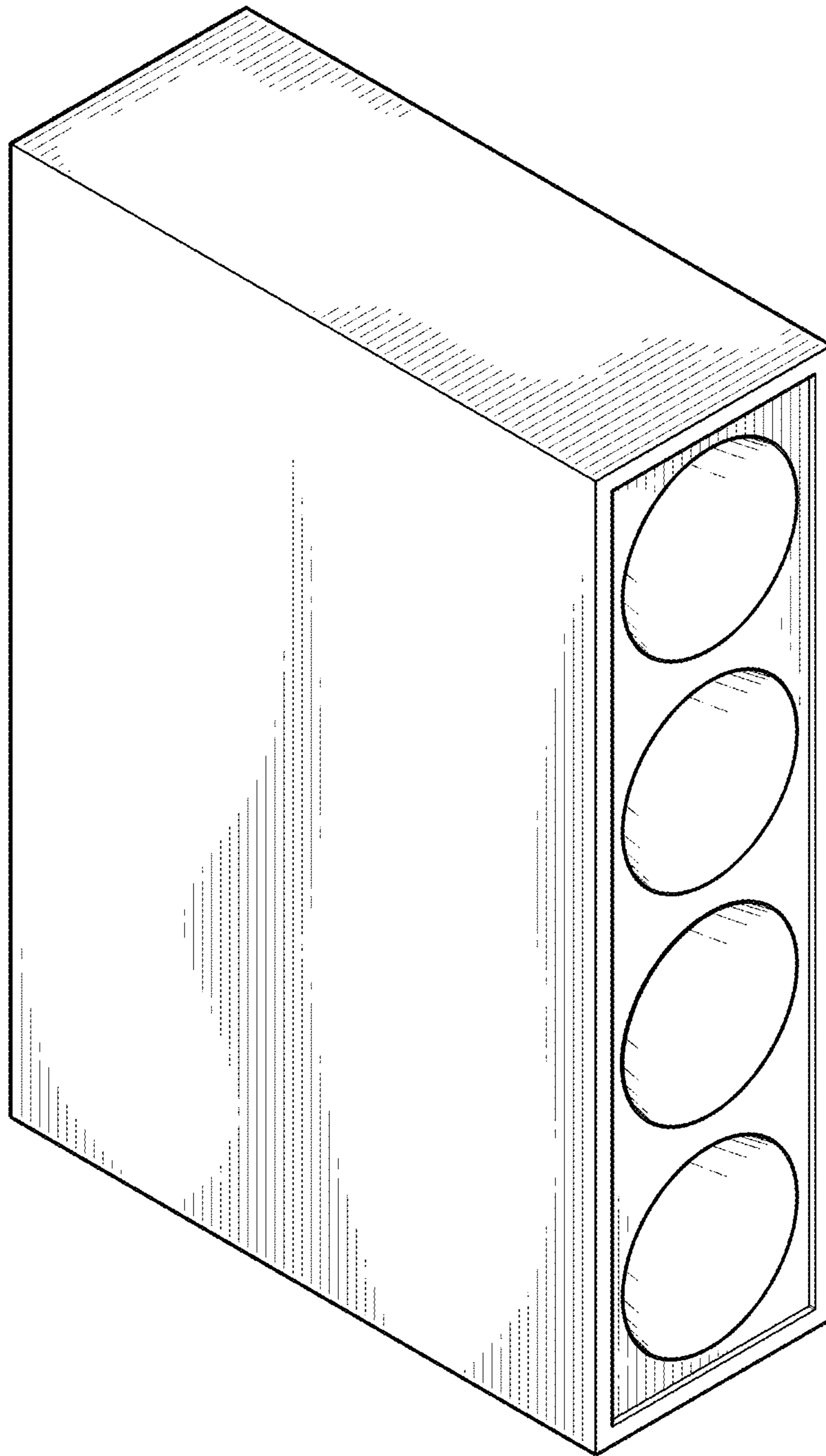


FIG. 1

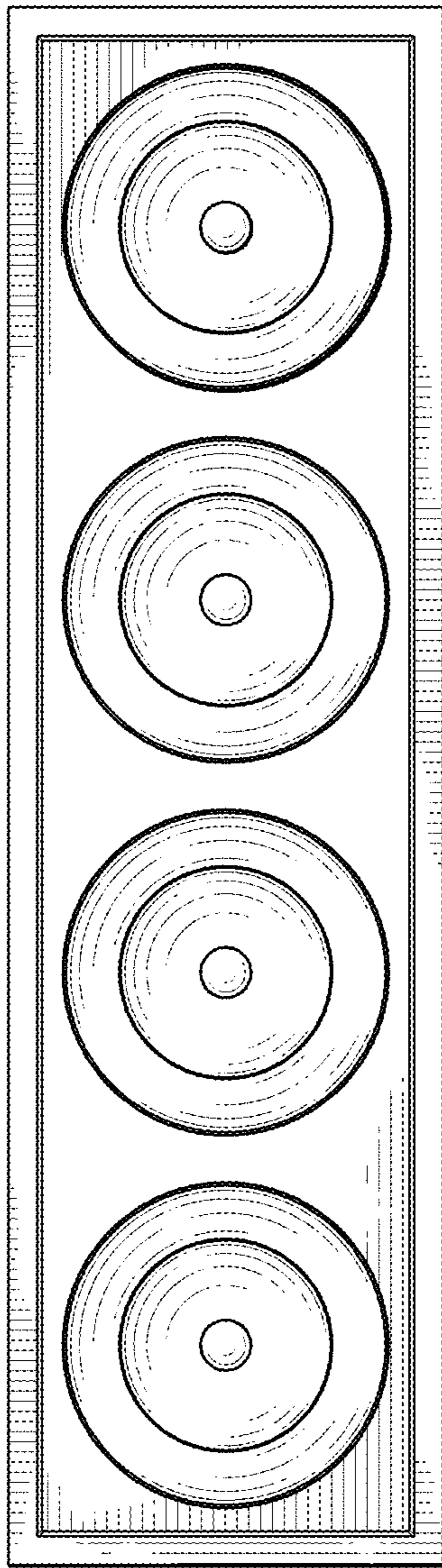


FIG. 2

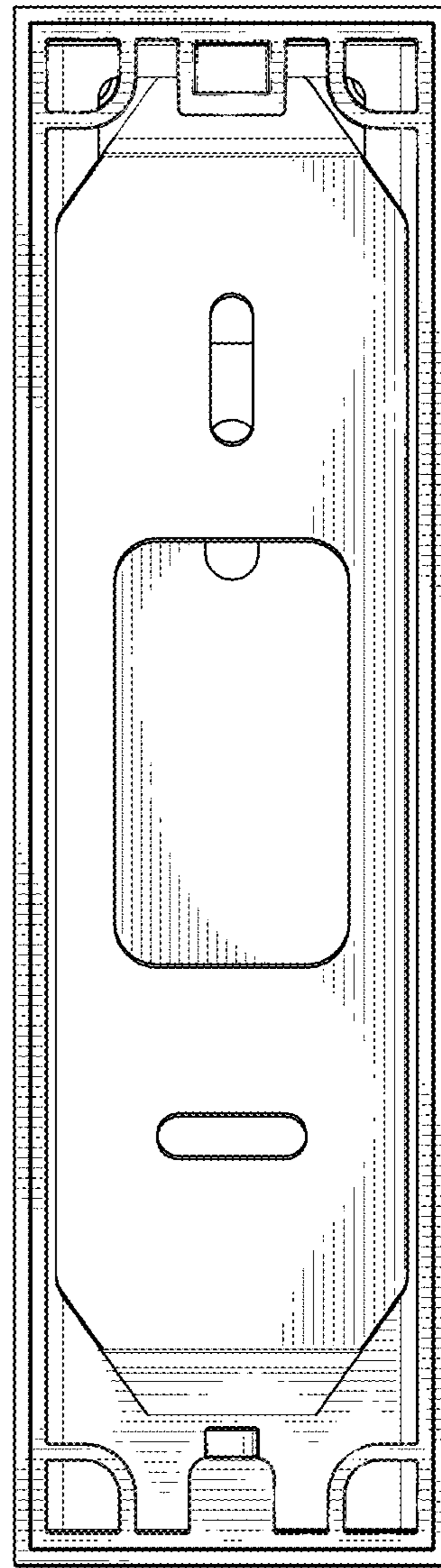


FIG. 3

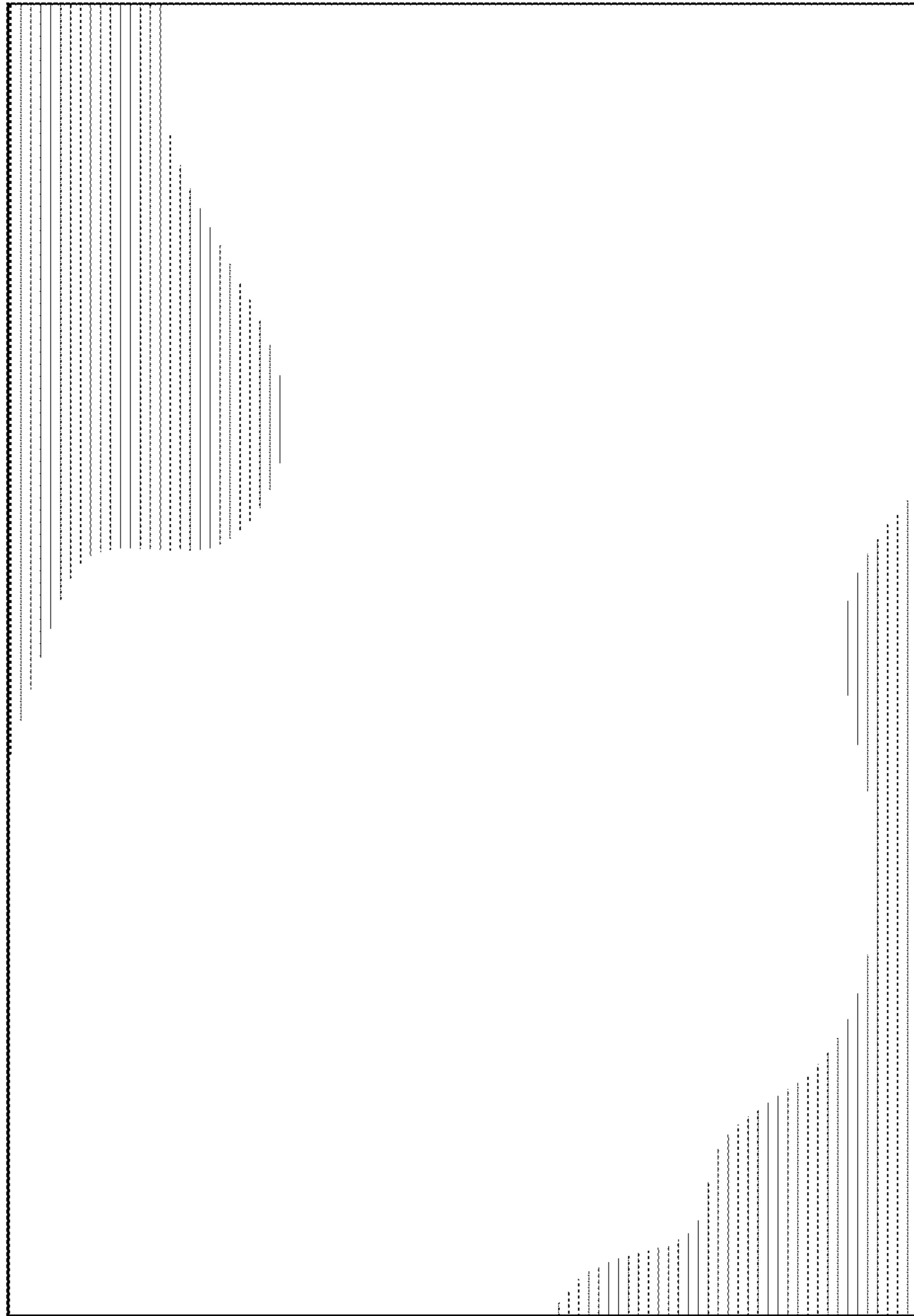


FIG. 4

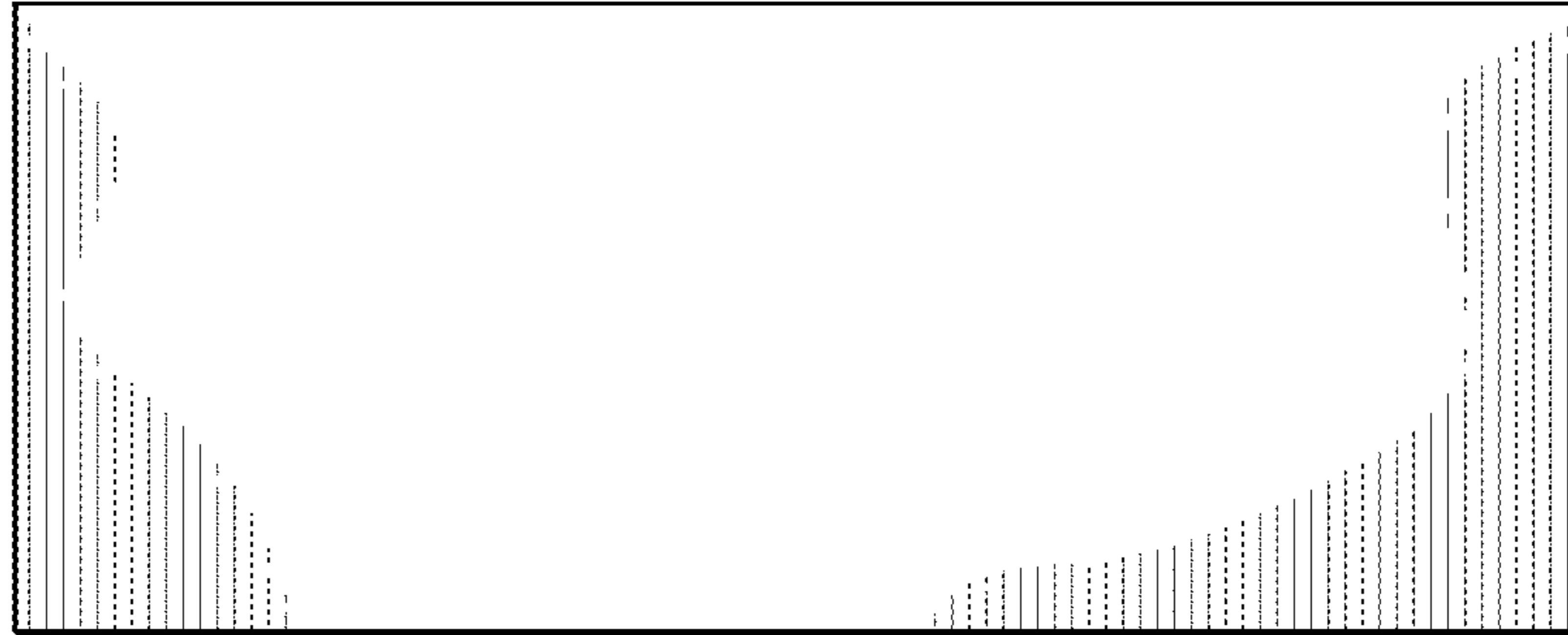


FIG. 5

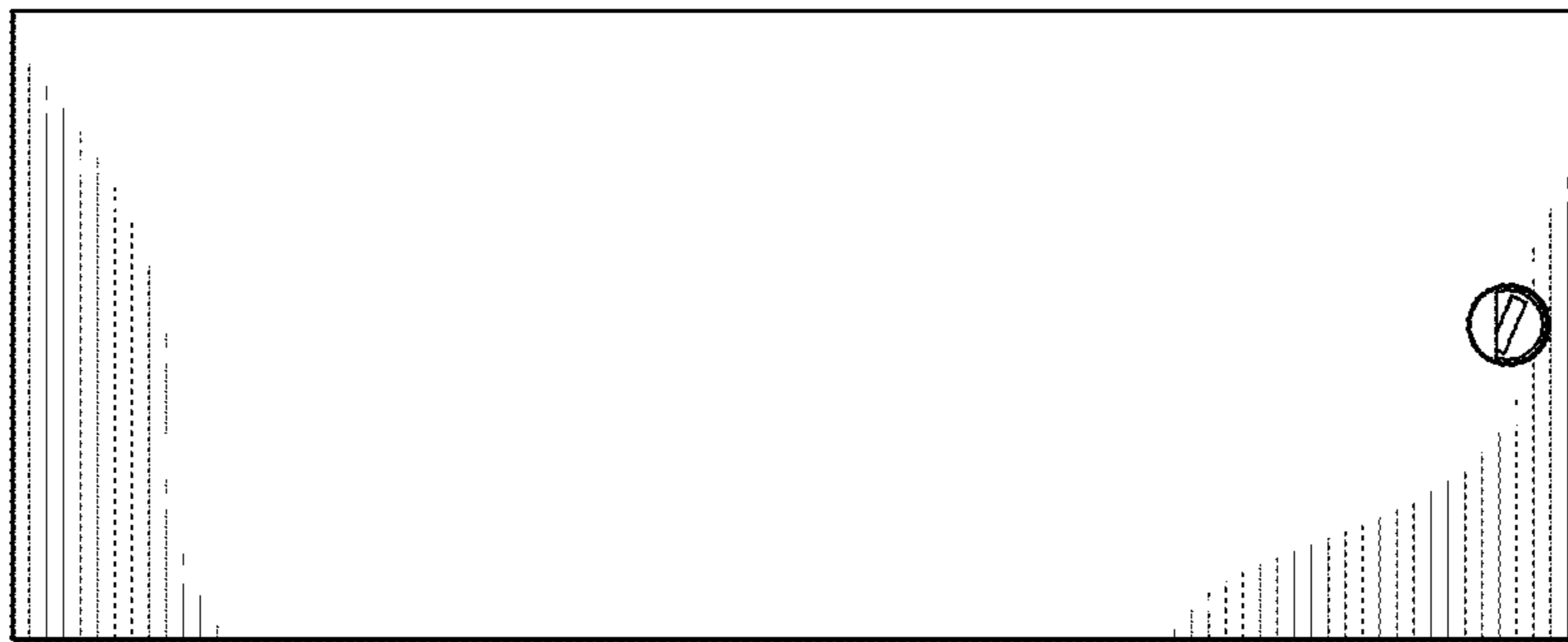


FIG. 6

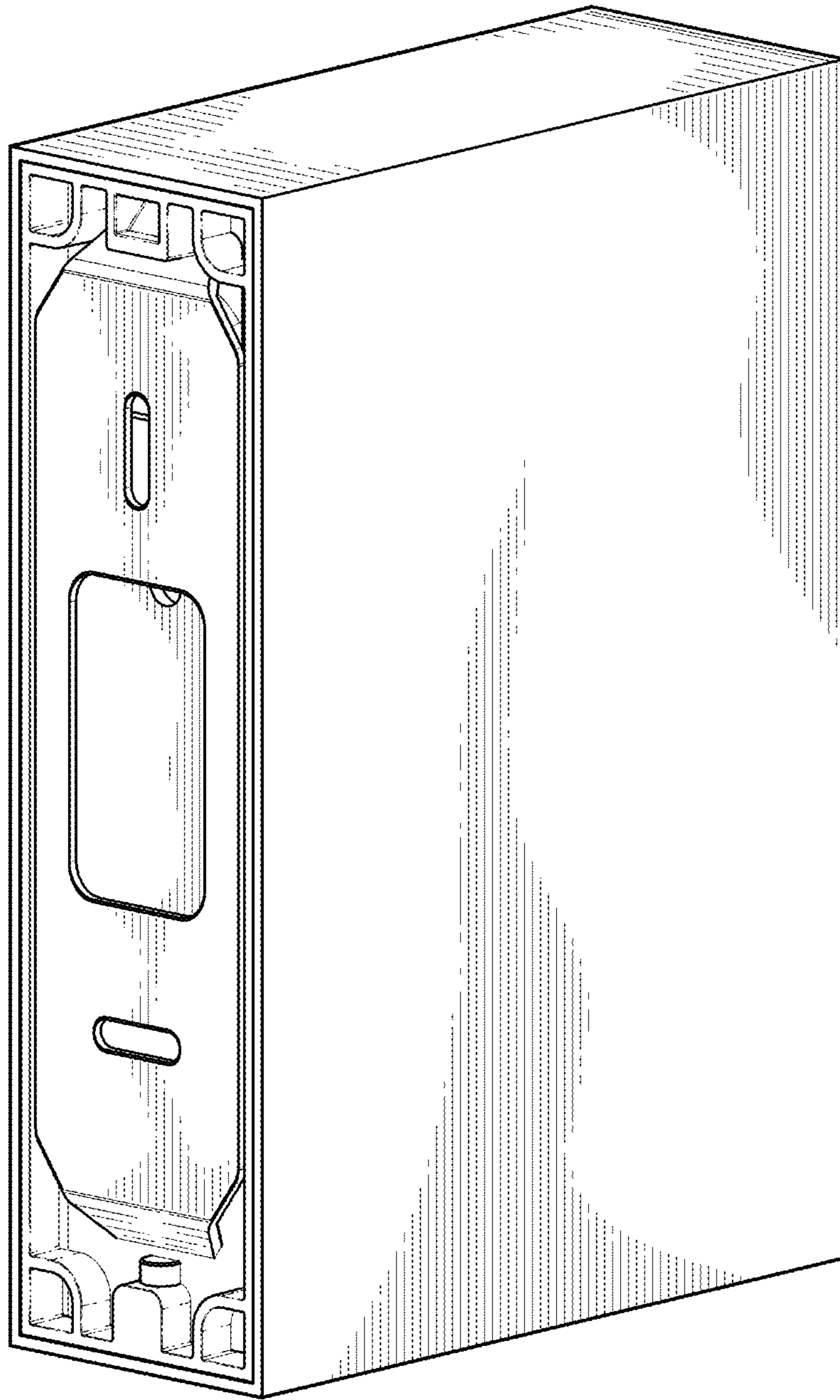


FIG. 7