



US00D912873S

(12) **United States Design Patent**  
**Hsu**

(10) **Patent No.:** **US D912,873 S**  
(45) **Date of Patent:** **\*\* Mar. 9, 2021**

(54) **LED LAMP**

(71) Applicant: **Dong Guan Jia Sheng Lighting Technology Co., Ltd. China,**  
Dong-Guna (CN)

(72) Inventor: **Kevin Hsu,** Taichung (TW)

(73) Assignee: **Dong Guan Jia Sheng Lighting Technology Co., Ltd. China,**  
Guang-Dong (CN)

(\*\*) Term: **15 Years**

(21) Appl. No.: **29/710,902**

(22) Filed: **Oct. 28, 2019**

(51) **LOC (13) Cl.** ..... **26-05**

(52) **U.S. Cl.**  
USPC ..... **D26/72**

(58) **Field of Classification Search**  
USPC ..... D10/111-115; D26/24, 26, 34, 44, 51,  
D26/58, 60, 61, 63, 72, 75, 76, 78, 80,  
D26/88, 89, 113, 118

CPC ..... F21S 8/00; F21S 8/02; F21S 8/03; F21S  
8/04; F21S 8/033; F21S 8/08; F21S 8/36;  
F21S 8/037; F21S 8/043; F21S 9/022;  
F21S 9/035; F21V 29/73

See application file for complete search history.

(56) **References Cited**

**U.S. PATENT DOCUMENTS**

D142,488 S \* 10/1945 Meyer ..... D26/78  
D312,842 S \* 12/1990 Younger ..... D20/42

D330,268 S \* 10/1992 Jaksich ..... D26/74  
D585,581 S \* 1/2009 Purcell ..... D26/76  
D647,239 S \* 10/2011 Beghelli ..... D26/74  
D654,607 S \* 2/2012 Kim ..... D26/63  
D664,700 S \* 7/2012 Ferguson ..... D26/76  
D681,494 S \* 5/2013 Beghelli ..... D10/114.2  
D751,237 S \* 3/2016 Ferrier ..... D26/90  
D766,487 S \* 9/2016 Cai ..... D26/76  
D782,096 S \* 3/2017 Fletcher ..... D26/76  
D784,994 S \* 4/2017 Fujiuchi ..... D14/420  
D819,251 S \* 5/2018 Martins ..... D26/76

\* cited by examiner

*Primary Examiner* — Kevin K Rudzinski

*Assistant Examiner* — Richard Kearney

(74) *Attorney, Agent, or Firm* — Alan D. Kamrath; Karin  
L. Williams; Mayer & Williams PC

(57) **CLAIM**

The ornamental design for an LED lamp, as shown and described.

**DESCRIPTION**

FIG. 1 is a perspective view of an LED lamp showing my design.

FIG. 2 is a front elevational view thereof.

FIG. 3 is a rear elevational view thereof.

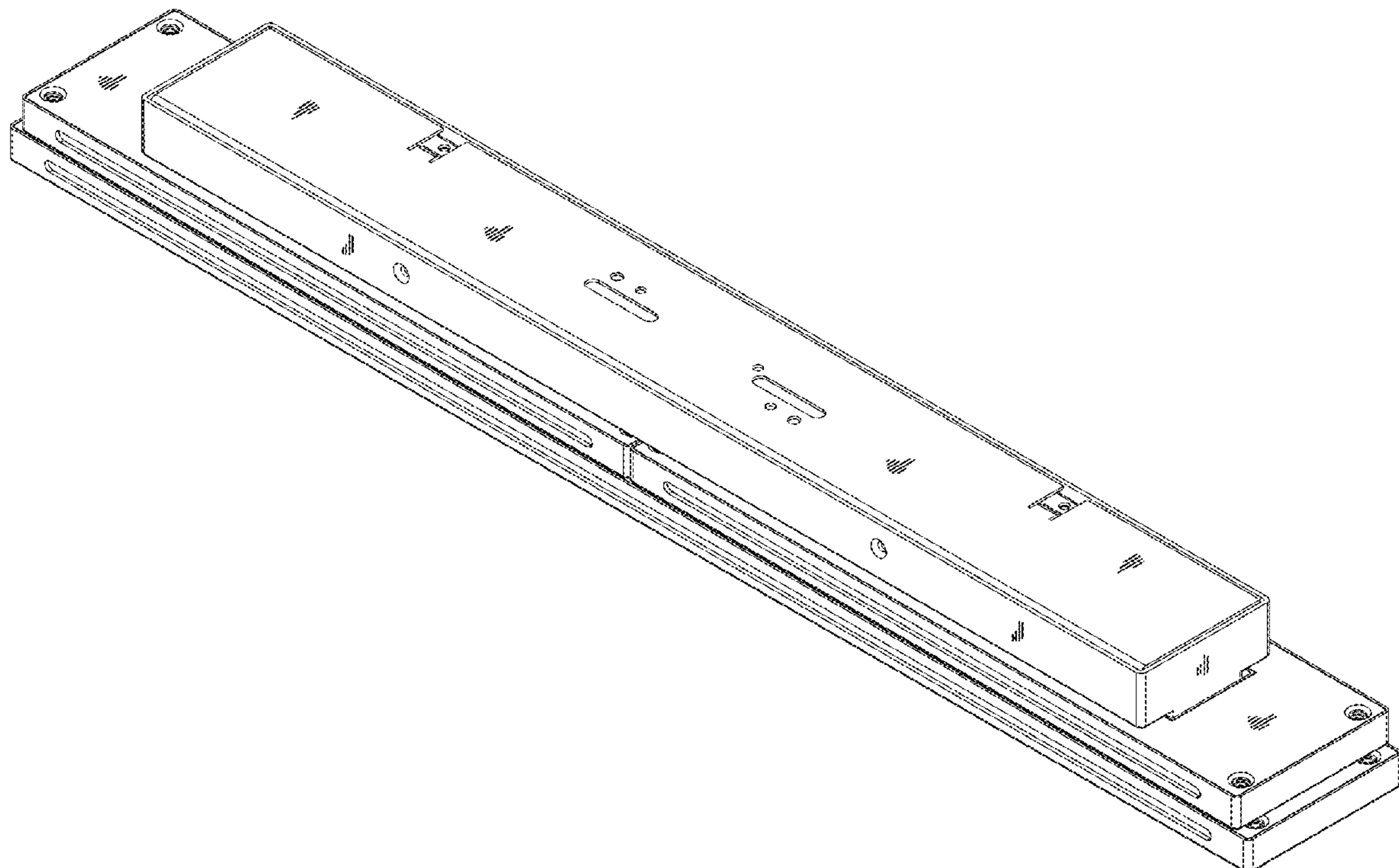
FIG. 4 is a left side elevational view thereof.

FIG. 5 is a right side elevational view thereof.

FIG. 6 is a top plan view thereof; and,

FIG. 7 is a bottom plan view thereof.

**1 Claim, 4 Drawing Sheets**



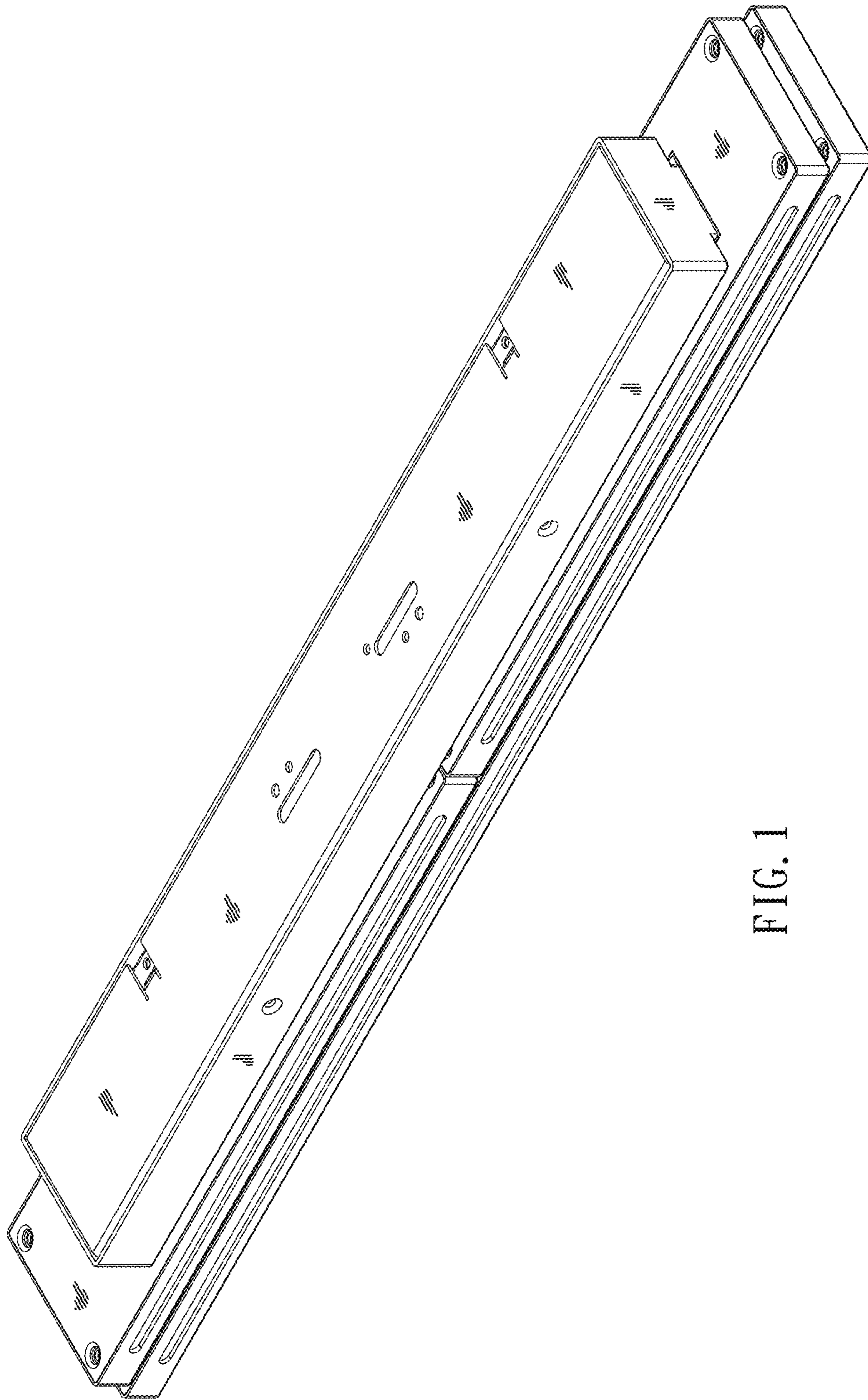


FIG. 1

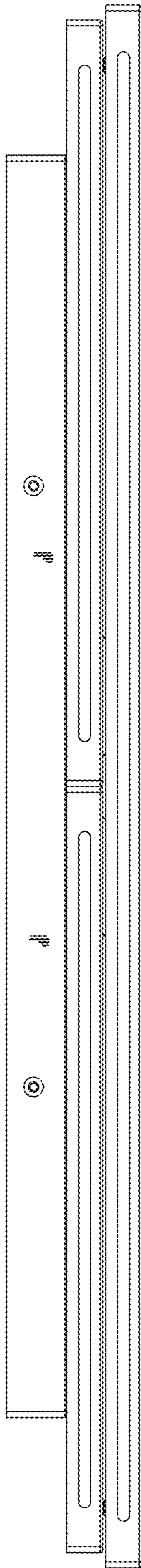


FIG. 2

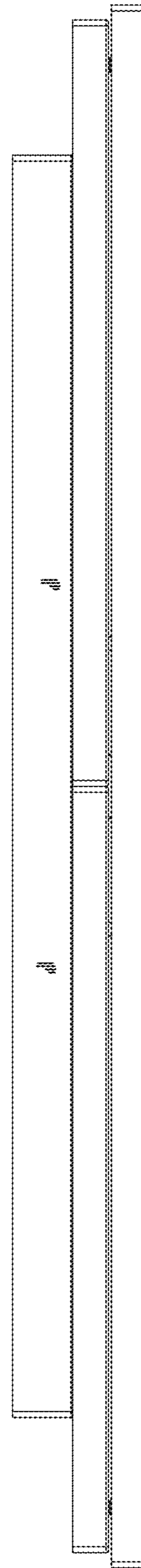


FIG. 3

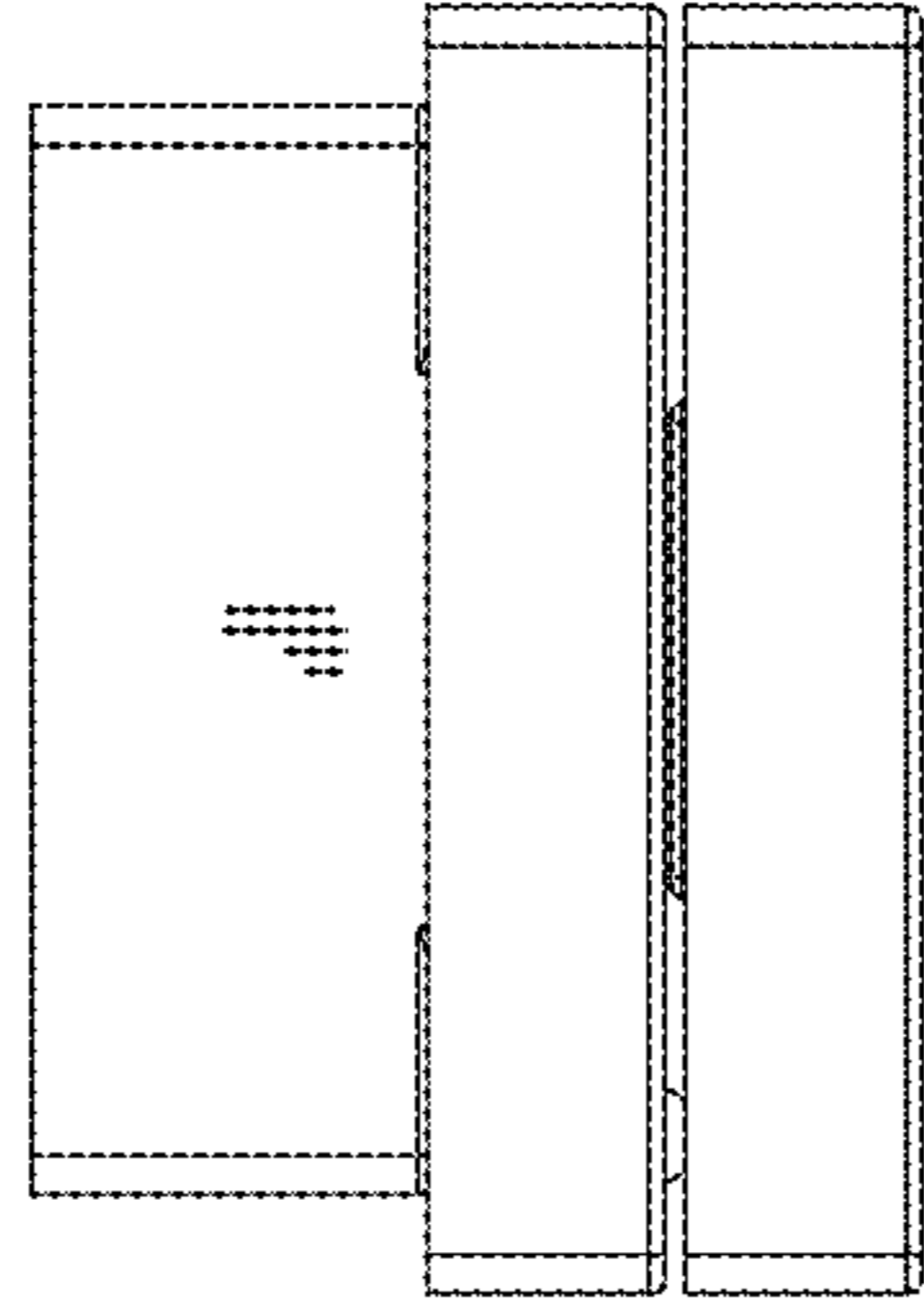


FIG. 4

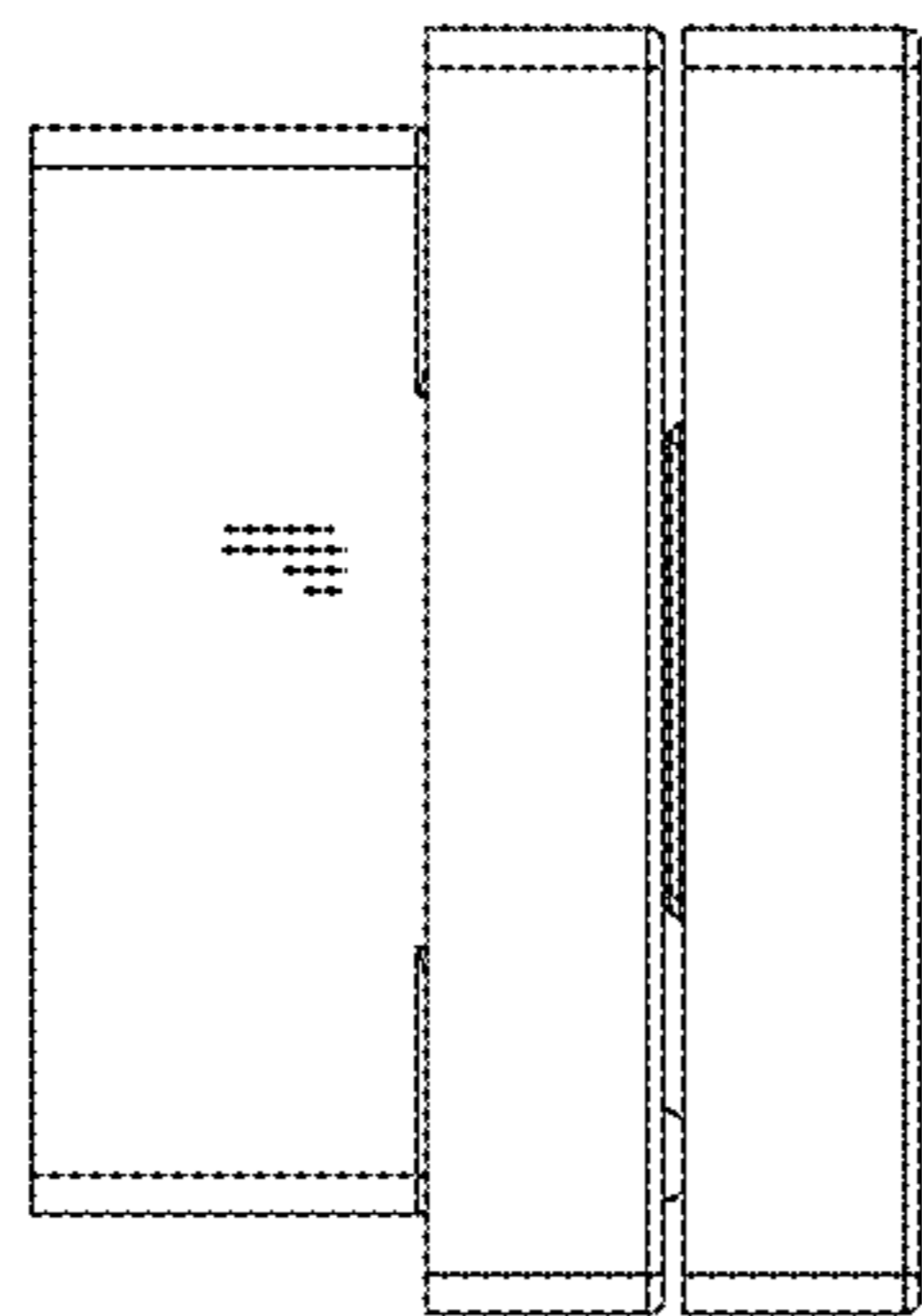


FIG. 5

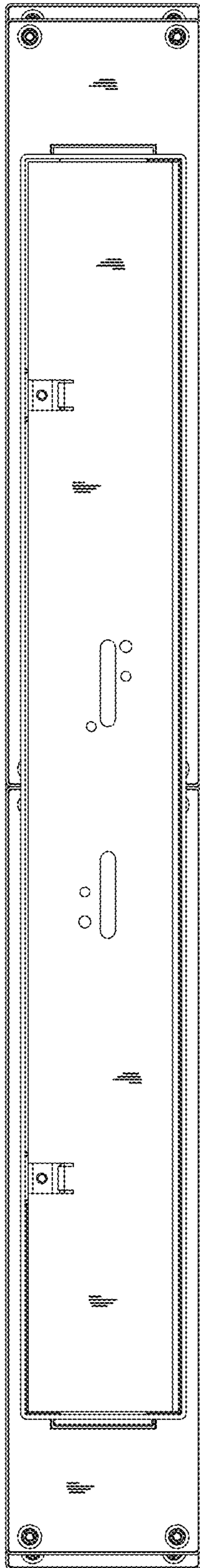


FIG. 6

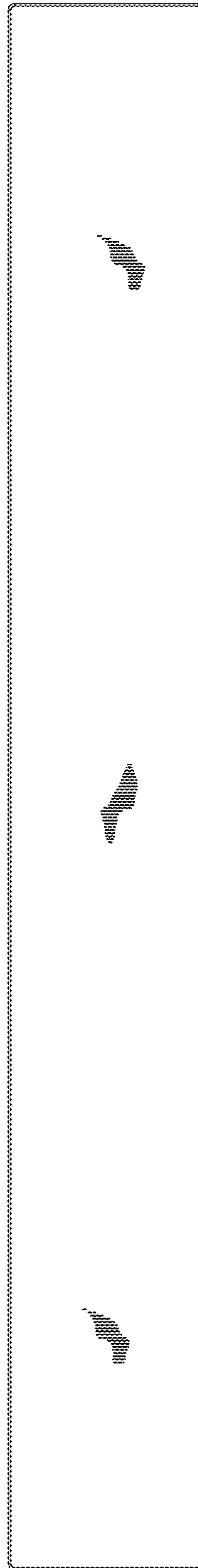


FIG. 7