



US00D912871S

(12) **United States Design Patent**
Gibson et al.

(10) **Patent No.:** **US D912,871 S**
(45) **Date of Patent:** **** Mar. 9, 2021**

(54) **SIDE MOUNT LIGHT FIXTURE**

(71) Applicant: **ABL IP Holding LLC**, Atlanta, GA (US)

(72) Inventors: **Jon Eric Gibson**, Covington, GA (US); **Adam Pate**, Atlanta, GA (US); **John Sakmar**, Atlanta, GA (US); **Luke J. Siefker**, McDonough, GA (US); **Mark Mnich**, Westerville, OH (US); **Eric Fickas**, Plain City, OH (US)

(73) Assignee: **ABL IP Holding LLC**, Atlanta, GA (US)

(**) Term: **15 Years**

(21) Appl. No.: **29/696,260**

(22) Filed: **Jun. 26, 2019**

(51) **LOC (13) Cl.** **26-05**

(52) **U.S. Cl.**
USPC **D26/71**

(58) **Field of Classification Search**
USPC D26/24, 63, 71, 72, 74, 75-78, 80-92,
D26/118, 120, 122, 142, 149; D13/134;
D10/111-115

(Continued)

(56) **References Cited**

U.S. PATENT DOCUMENTS

D266,958 S 11/1982 Gernhardt
D301,175 S 5/1989 Benjamin

(Continued)

OTHER PUBLICATIONS

RADI LED Area Luminaire (available online) Retrieved from the internet Sep. 11, 2020 from URL: <https://www.acuitybrands.com/products/compare?productA=95708&productB=979956>.*

(Continued)

Primary Examiner — Kevin K Rudzinski

Assistant Examiner — Richard Kearney

(74) *Attorney, Agent, or Firm* — Kilpatrick Townsend & Stockton LLP

(57) **CLAIM**

The ornamental design for a side mount light fixture, as shown and described.

DESCRIPTION

FIG. 1 is a top perspective view of a first embodiment of a side mount light fixture.

FIG. 2 is a bottom perspective view of the side mount light fixture of FIG. 1.

FIG. 3 is a front view of the side mount light fixture of FIG. 1.

FIG. 4 is a rear view of the side mount light fixture of FIG. 1.

FIG. 5 is a left side view of the side mount light fixture of FIG. 1.

FIG. 6 is a right side view of the side mount light fixture of FIG. 1.

FIG. 7 is a top view of the side mount light fixture of FIG. 1.

FIG. 8 is a bottom view of the side mount light fixture of FIG. 1.

FIG. 9 is a top perspective view of a second embodiment of a side mount light fixture.

FIG. 10 is a bottom perspective view of the side mount light fixture of FIG. 9.

FIG. 11 is a front view of the side mount light fixture of FIG. 9.

FIG. 12 is a rear view of the side mount light fixture of FIG. 9.

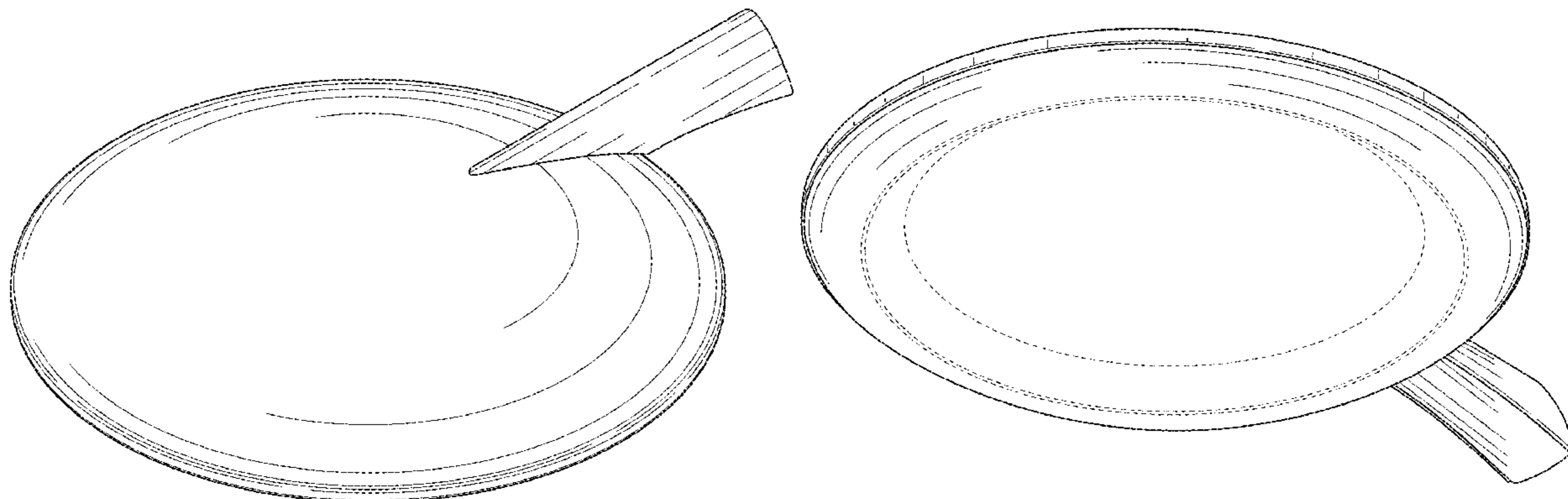
FIG. 13 is a left side view of the side mount light fixture of FIG. 9.

FIG. 14 is a right side view of the side mount light fixture of FIG. 9.

FIG. 15 is a top view of the side mount light fixture of FIG. 9; and,

FIG. 16 is a bottom view of the side mount light fixture of FIG. 9.

(Continued)



The broken lines shown in the drawings illustrate portions of the side mount light fixture and form no part of the claimed design.

1 Claim, 12 Drawing Sheets

(58) **Field of Classification Search**

CPC F21V 23/003; F21V 23/023; F21V 29/71;
F21V 29/713; F21V 29/717; F21V 29/73;
F21V 29/74; F21V 29/745; F21V 29/75;
F21V 29/76; F21V 5/00; F21V 1/02;
F21V 15/01; F21Y 2115/10; F21S 8/002;
F21S 8/04; F21S 8/026

See application file for complete search history.

(56) **References Cited**

U.S. PATENT DOCUMENTS

D321,406 S	11/1991	Schlesselman	
D405,206 S	2/1999	Taylor et al.	
D451,227 S	11/2001	Orellana et al.	
D465,868 S *	11/2002	Gaskins	D26/72
D531,159 S *	10/2006	Park	D14/203.3
D553,779 S	10/2007	Butler	
D557,833 S *	12/2007	Bucher	D26/28
D577,847 S *	9/2008	Ruud	D26/71
D592,342 S	5/2009	Kinnune et al.	
D599,496 S	9/2009	Lodhie	
D599,935 S	9/2009	Van Klinken	
D615,682 S	5/2010	van Klinken	
D636,913 S *	4/2011	Halaquist	D26/24
D656,659 S	3/2012	Kong et al.	
D657,485 S	4/2012	Kong et al.	
D665,526 S	8/2012	Kong et al.	
D670,018 S	10/2012	Sauvage	
D676,181 S *	2/2013	Sandell	D26/92
D678,580 S	3/2013	Rizzi et al.	
D711,034 S	8/2014	Sturgis et al.	
8,845,152 B2	9/2014	Butler et al.	
D741,548 S	10/2015	Ladewig	
D755,431 S	5/2016	Chen et al.	
D786,467 S	5/2017	Wan et al.	

D786,469 S *	5/2017	Marshal	F21V 21/108 D26/71
D794,456 S *	8/2017	Rockwell	D9/449
D797,980 S *	9/2017	Maxik	D26/89
D823,517 S	7/2018	Ladewig	
10,222,544 B1	3/2019	Moghal	
D844,877 S	4/2019	Ladewig	
D853,615 S	7/2019	Ahrari et al.	
D863,644 S	10/2019	Gibson et al.	
D864,453 S *	10/2019	Van Roosmalen	D26/71
D877,385 S *	3/2020	Gibson	D26/67
D888,066 S *	6/2020	Wang	D14/451
2004/0095773 A1	5/2004	Gaskins et al.	
2009/0086491 A1	4/2009	Ruud et al.	
2009/0109676 A1	4/2009	Lodhie	
2009/0296392 A1	12/2009	Wilcox	
2011/0222284 A1	9/2011	Kong et al.	
2012/0057340 A1	3/2012	Rami et al.	
2013/0148361 A1	6/2013	Chen et al.	

OTHER PUBLICATIONS

Led Round Street Road Lamp (available online) Retrieved from the internet Sep. 11, 2020 from URL: m.oyatelite.com/metal-halide-lamps/led-round-street-road-lamp.html.*

Slenderform Round Arm Mount LED (available online) Retrieved from the internet Sep. 11, 2020 from URL: https://www.bimobject.com/zh-hk/philips-gardco/product/slenderform_arm_round.*

U.S. Appl. No. 29/643,738, "Non-Final Office Action," dated Jul. 29, 2019, 7 pages.

U.S. Appl. No. 29/643,738, "Notice of Allowance," dated Nov. 1, 2019, 6 pages.

U.S. Appl. No. 29/643,734, "Notice of Allowance," dated Mar. 14, 2019, 5 pages.

U.S. Appl. No. 29/643,734, "Notice of Allowance," dated Aug. 2, 2019, 8 pages.

U.S. Appl. No. 29/643,734, "Restriction Requirement," dated Feb. 8, 2019, 7 pages.

U.S. Appl. No. 29/602,954, Response to Restriction Requirement, filed Jan. 28, 2019, 49 pages.

U.S. Appl. No. 29/602,954, Restriction Requirement, dated Oct. 26, 2018, 5 pages.

* cited by examiner

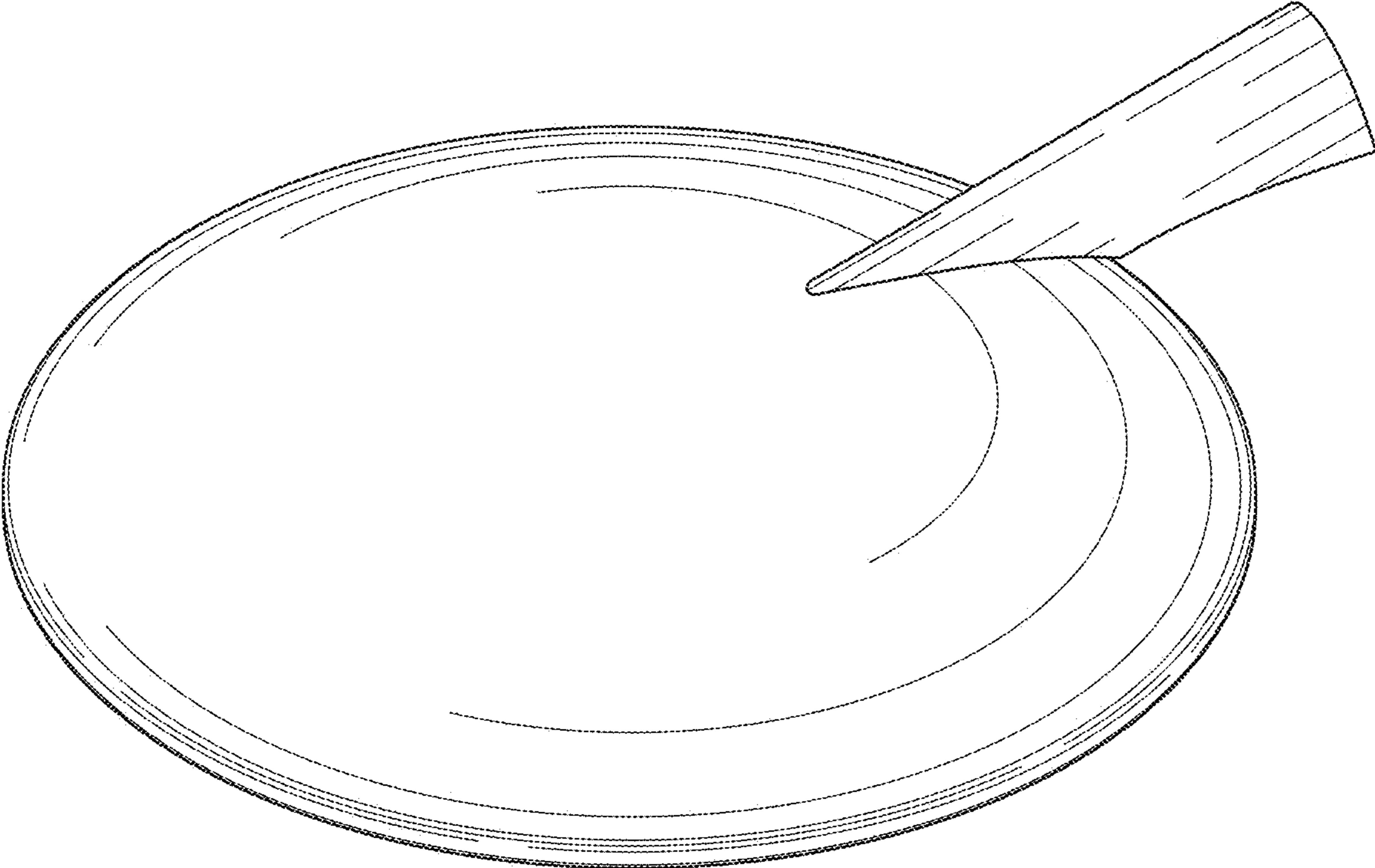


FIG. 1

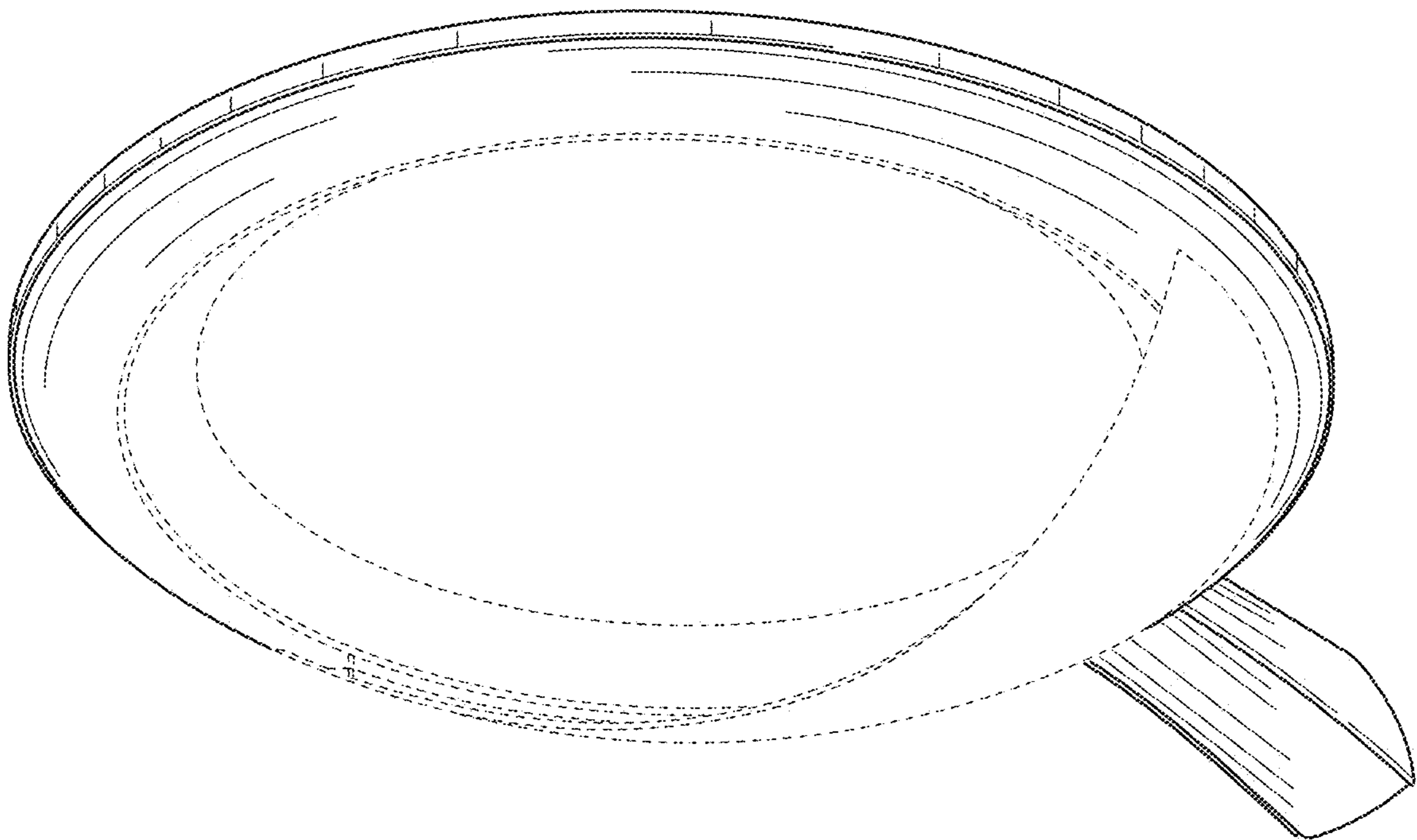


FIG. 2

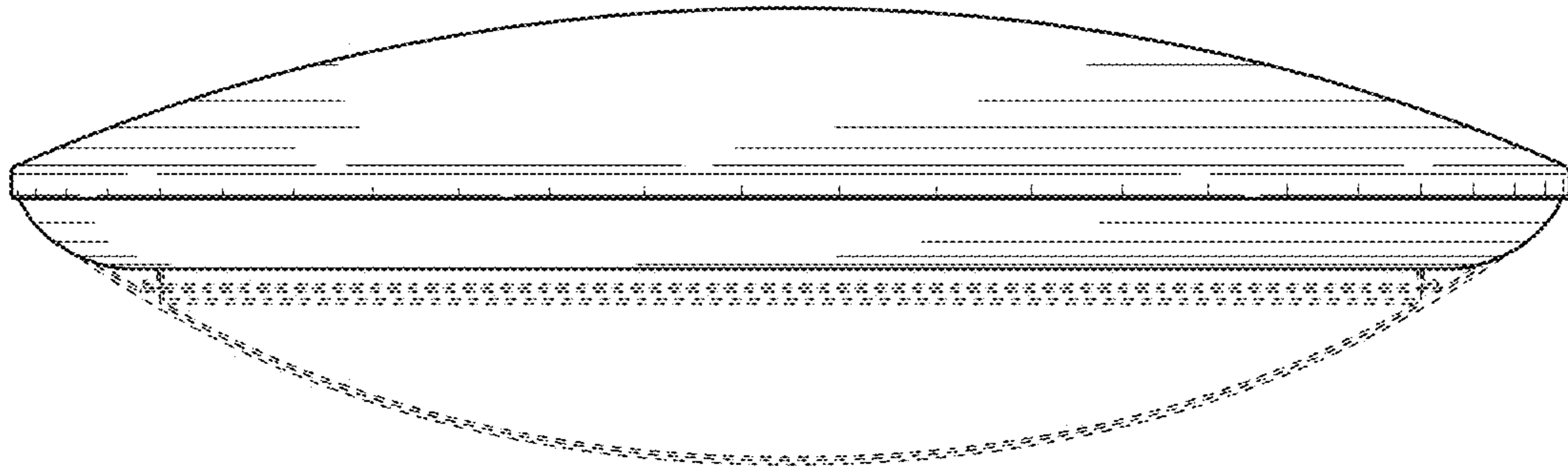


FIG. 3

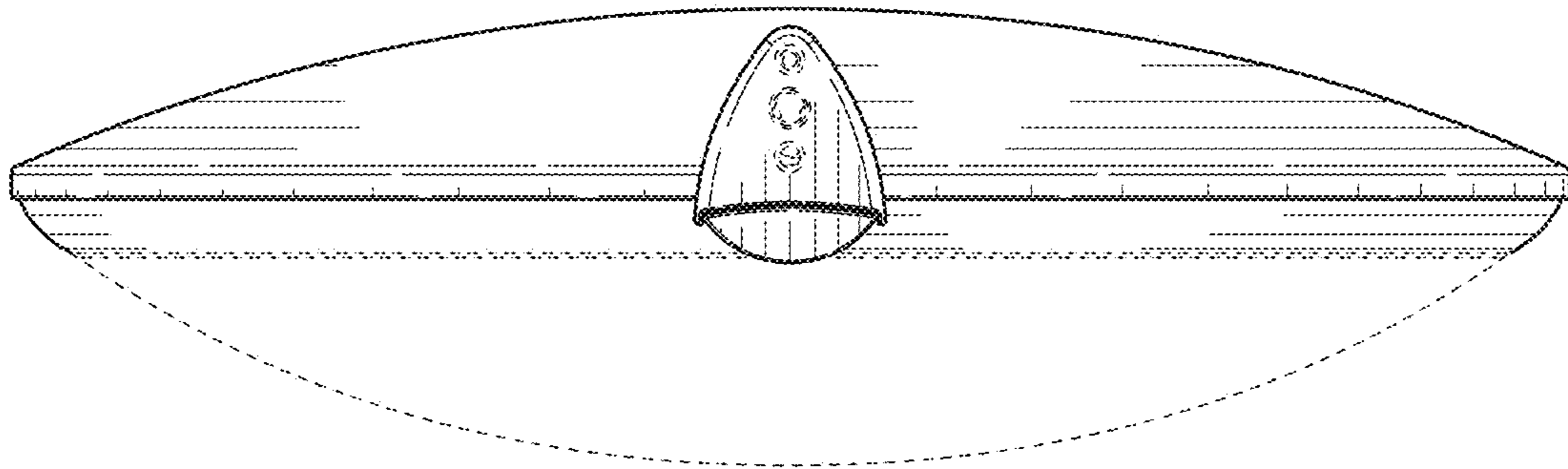


FIG. 4

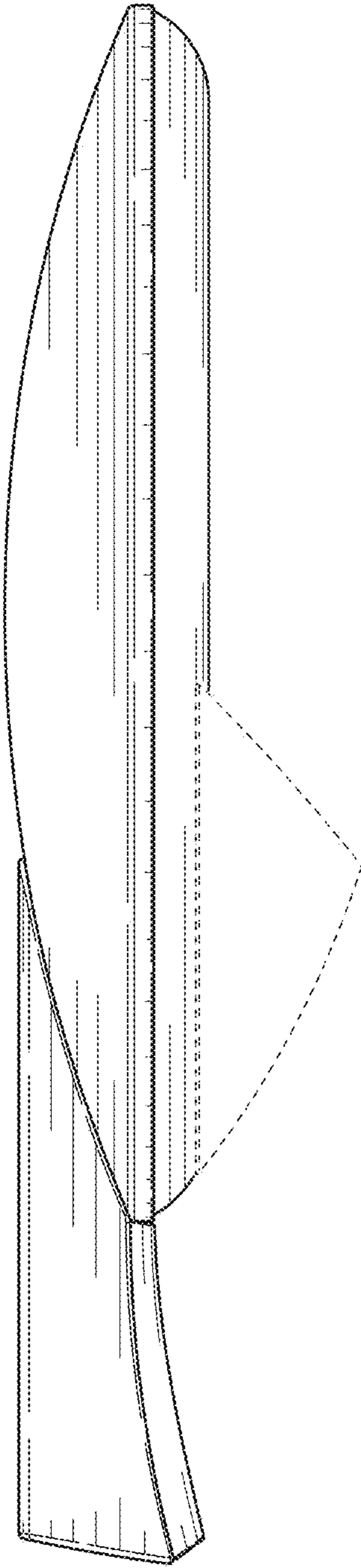


FIG. 5

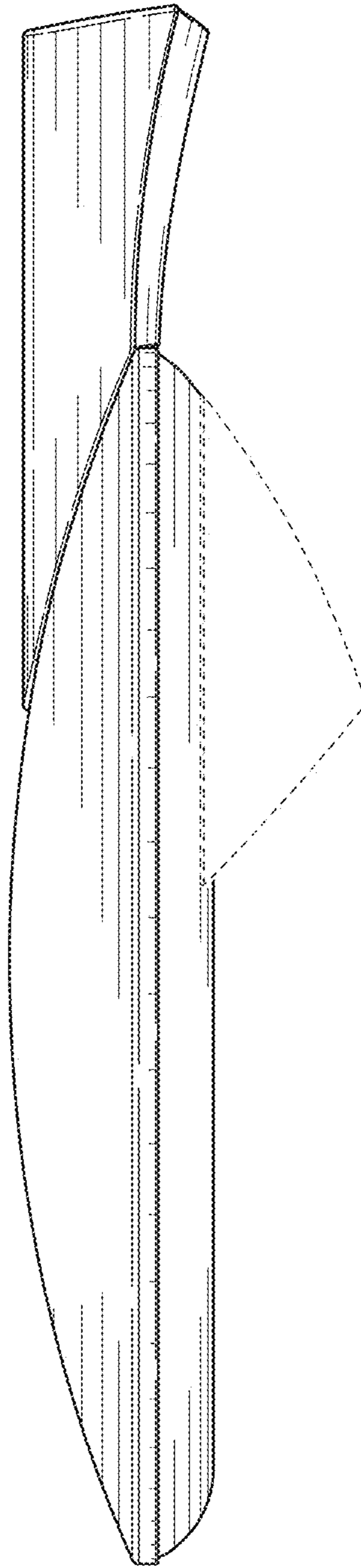


FIG. 6

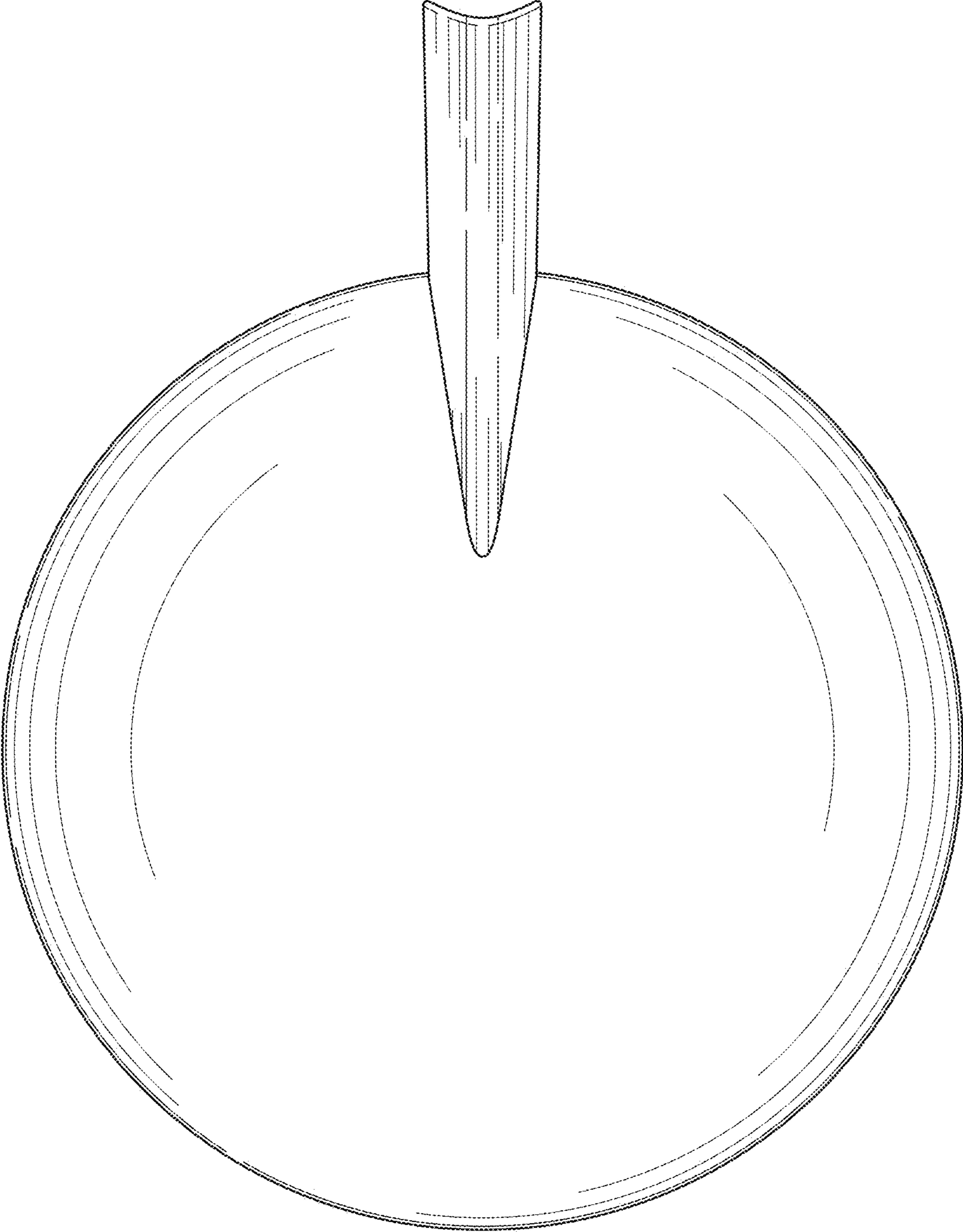


FIG. 7

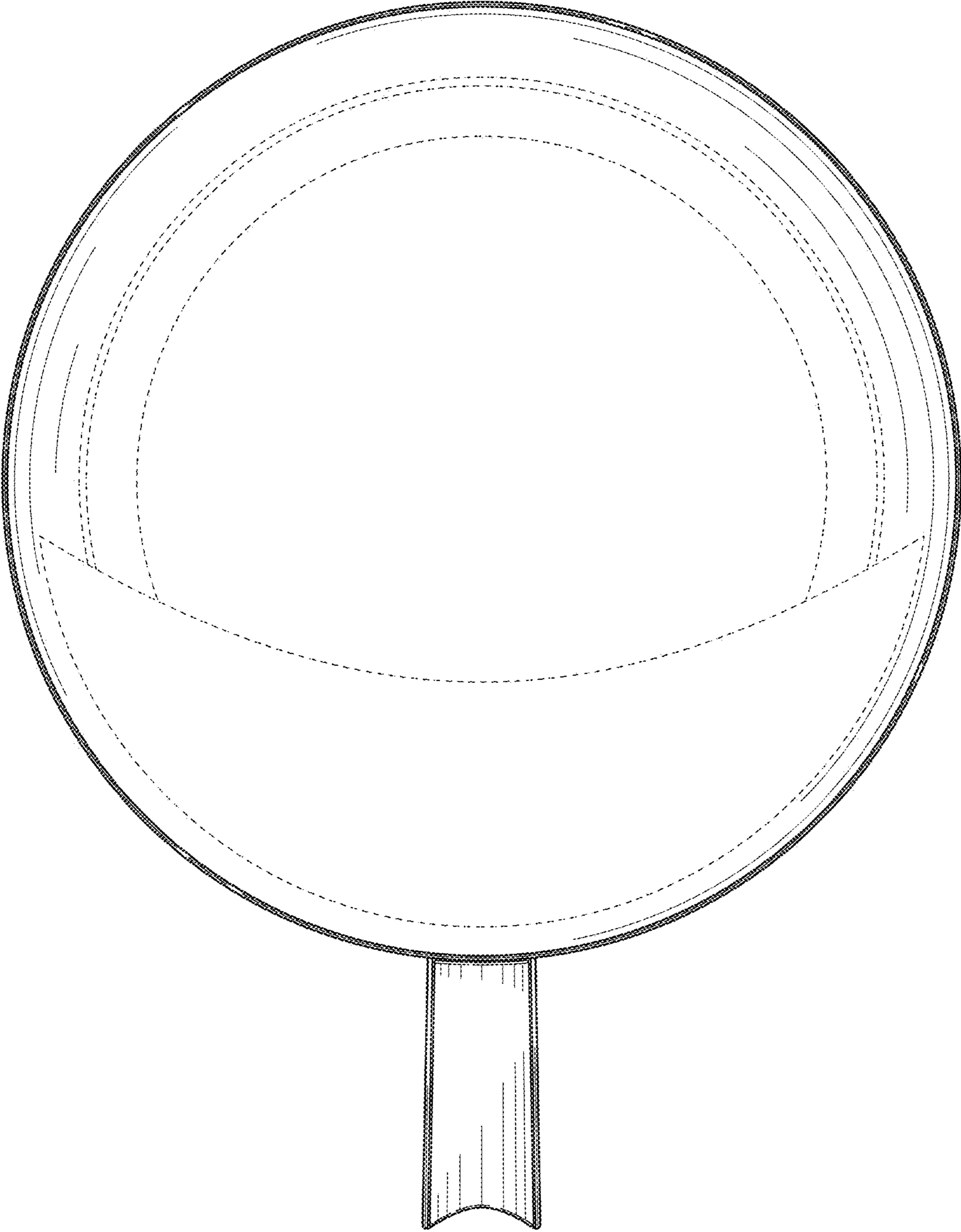


FIG. 8

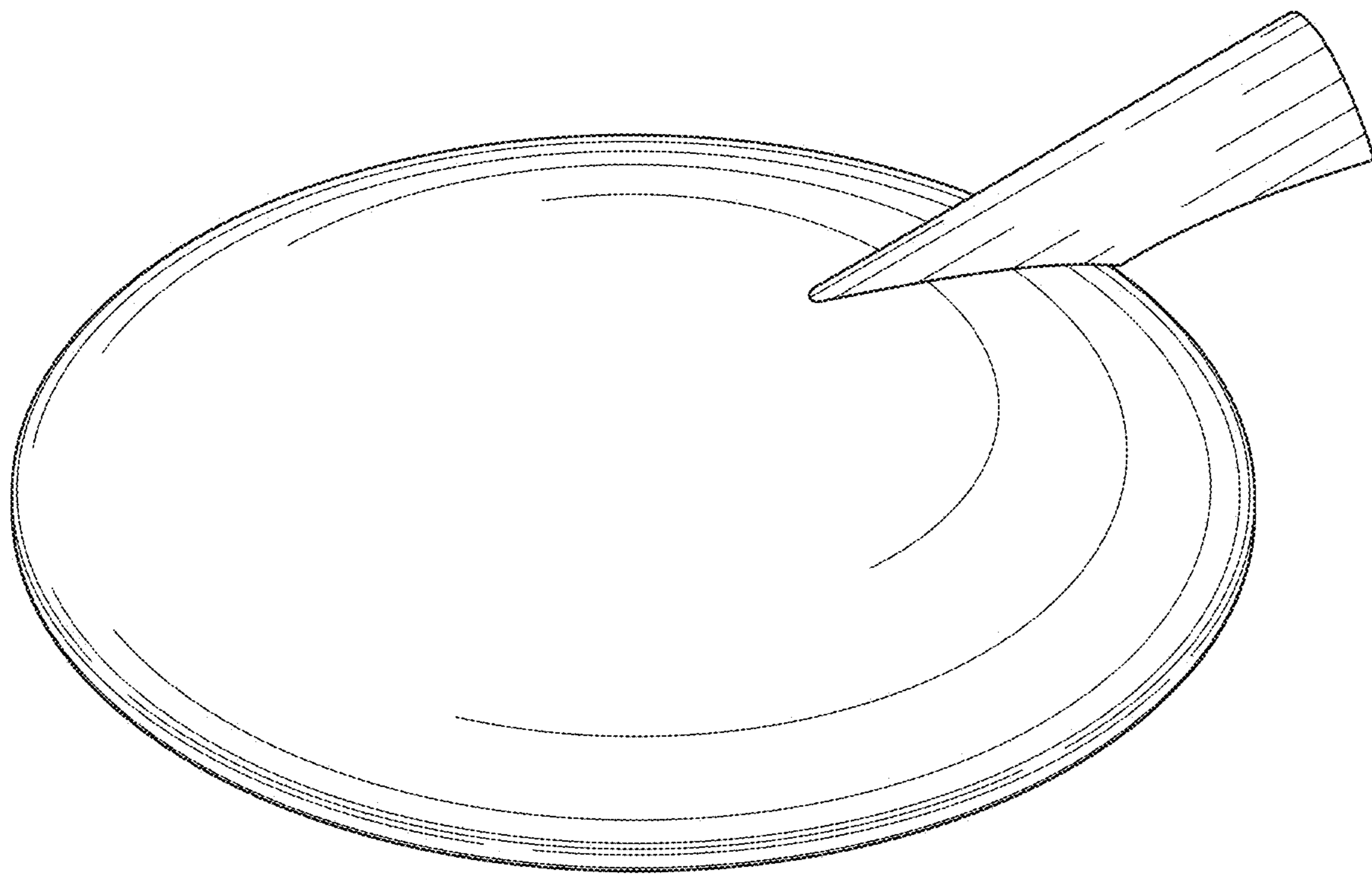


FIG. 9

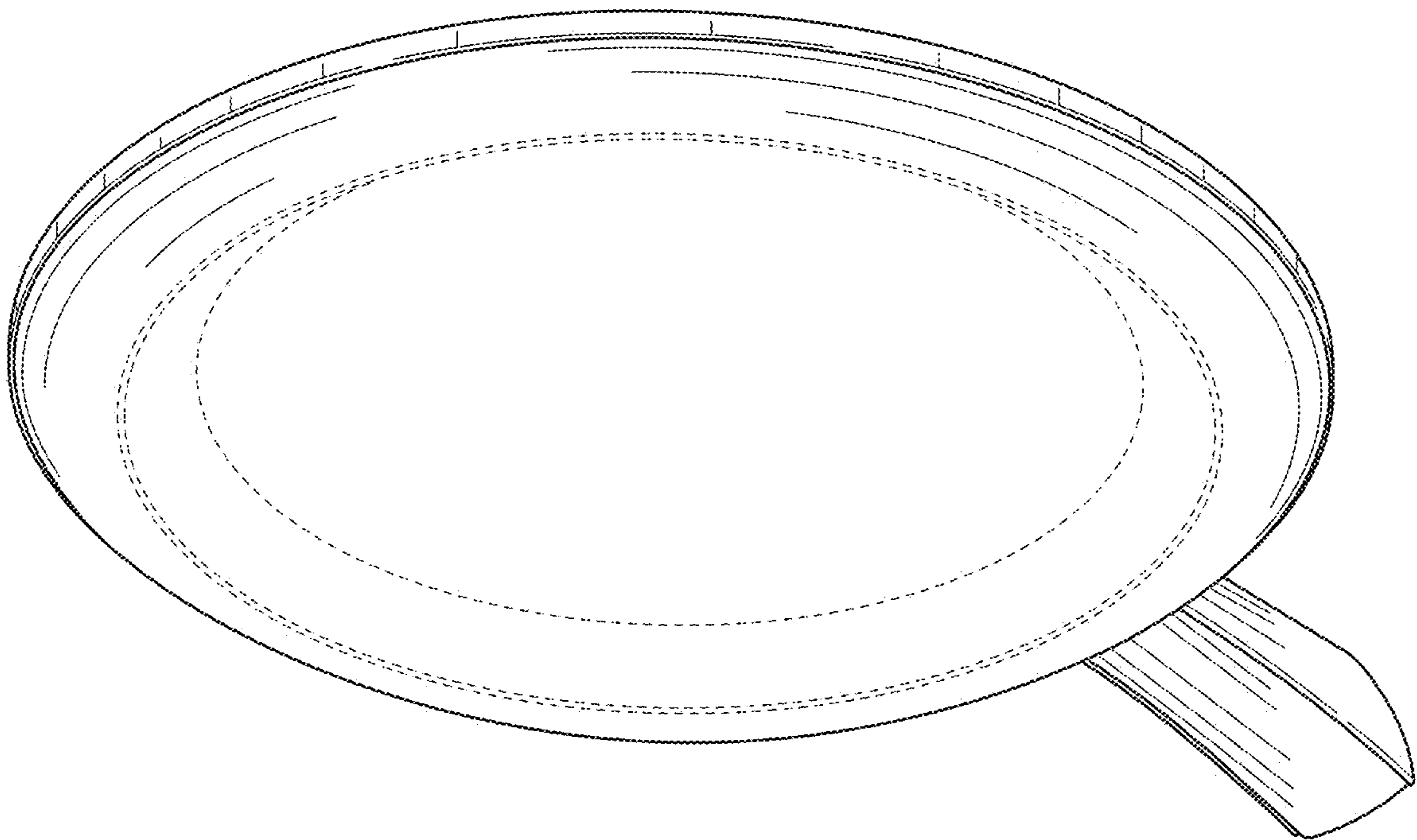


FIG. 10

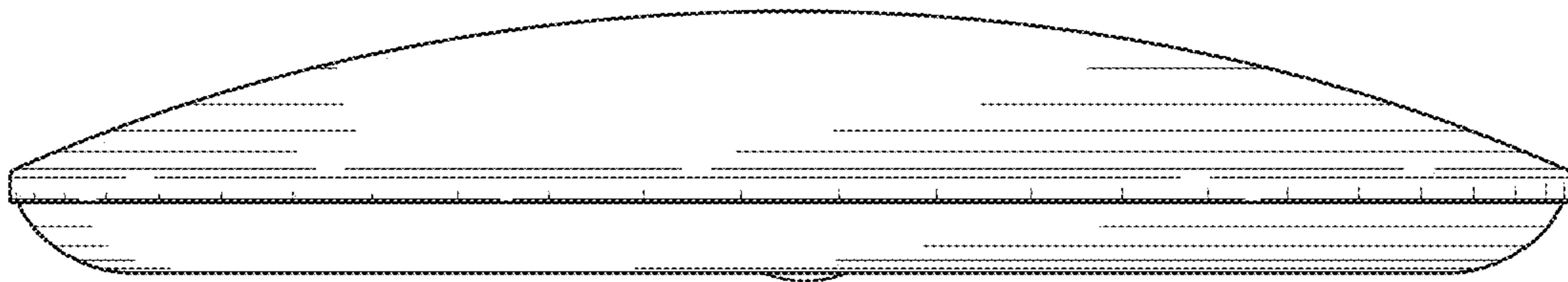


FIG. 11

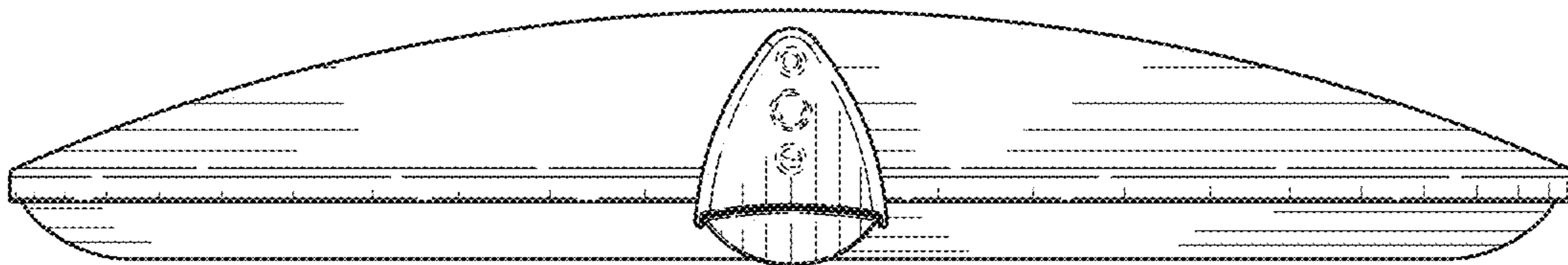


FIG. 12

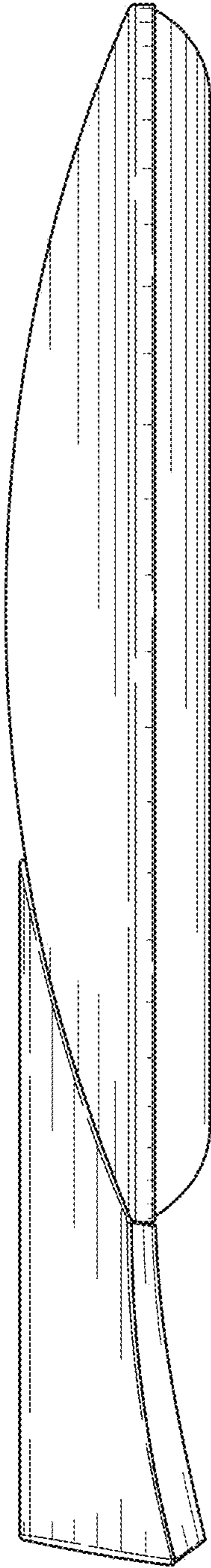


FIG. 13

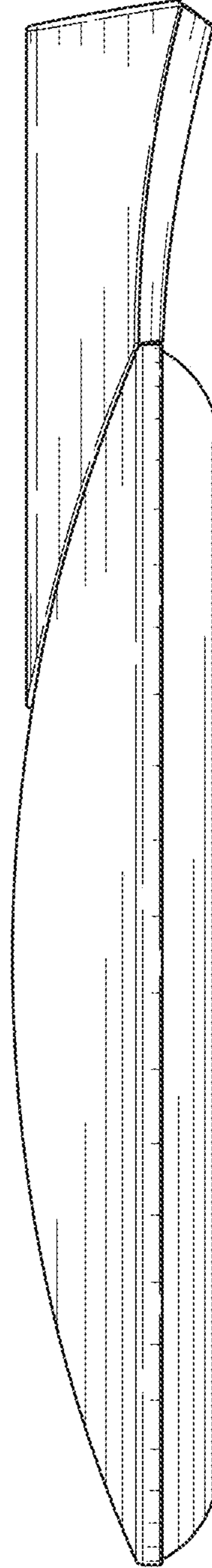


FIG. 14

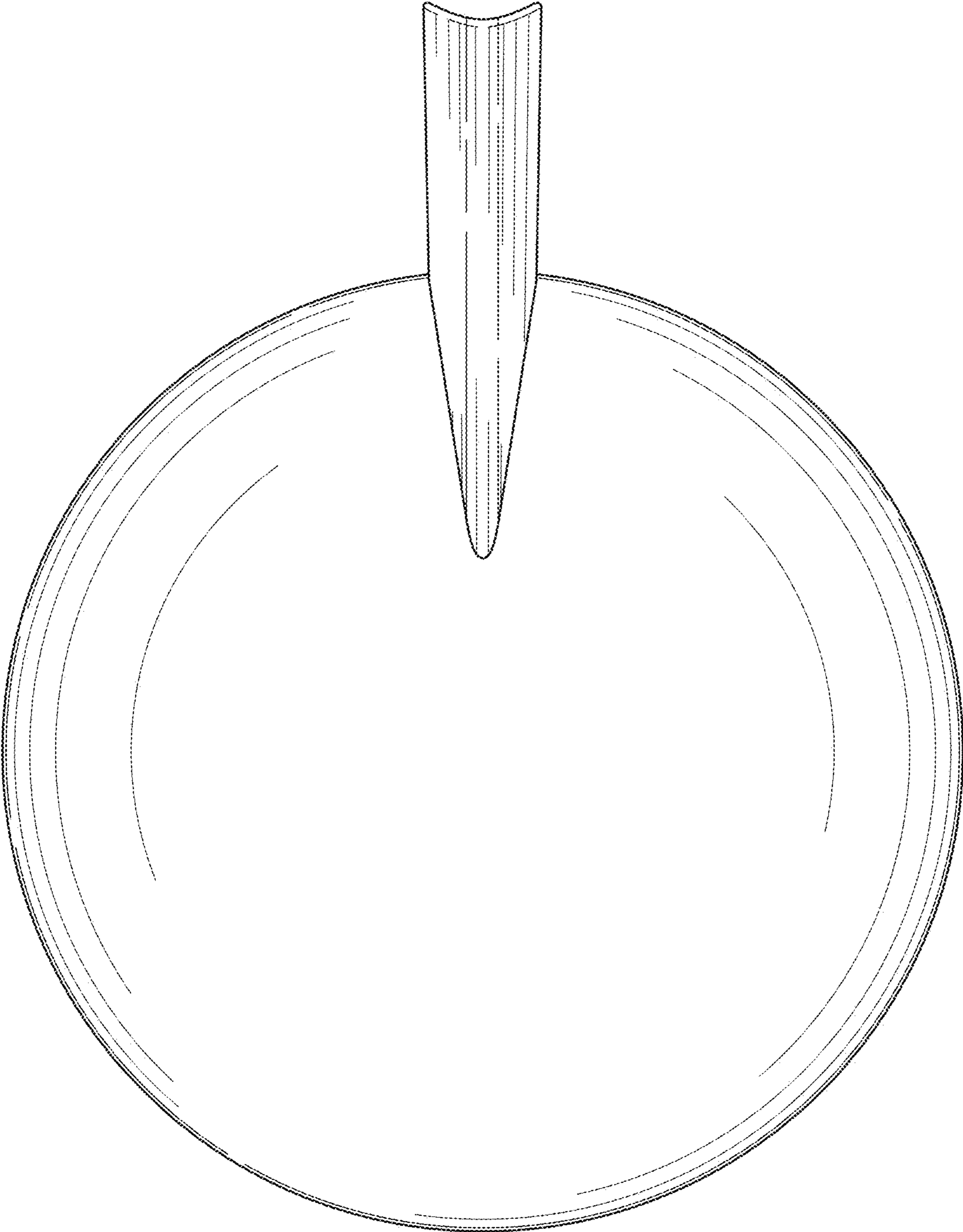


FIG. 15

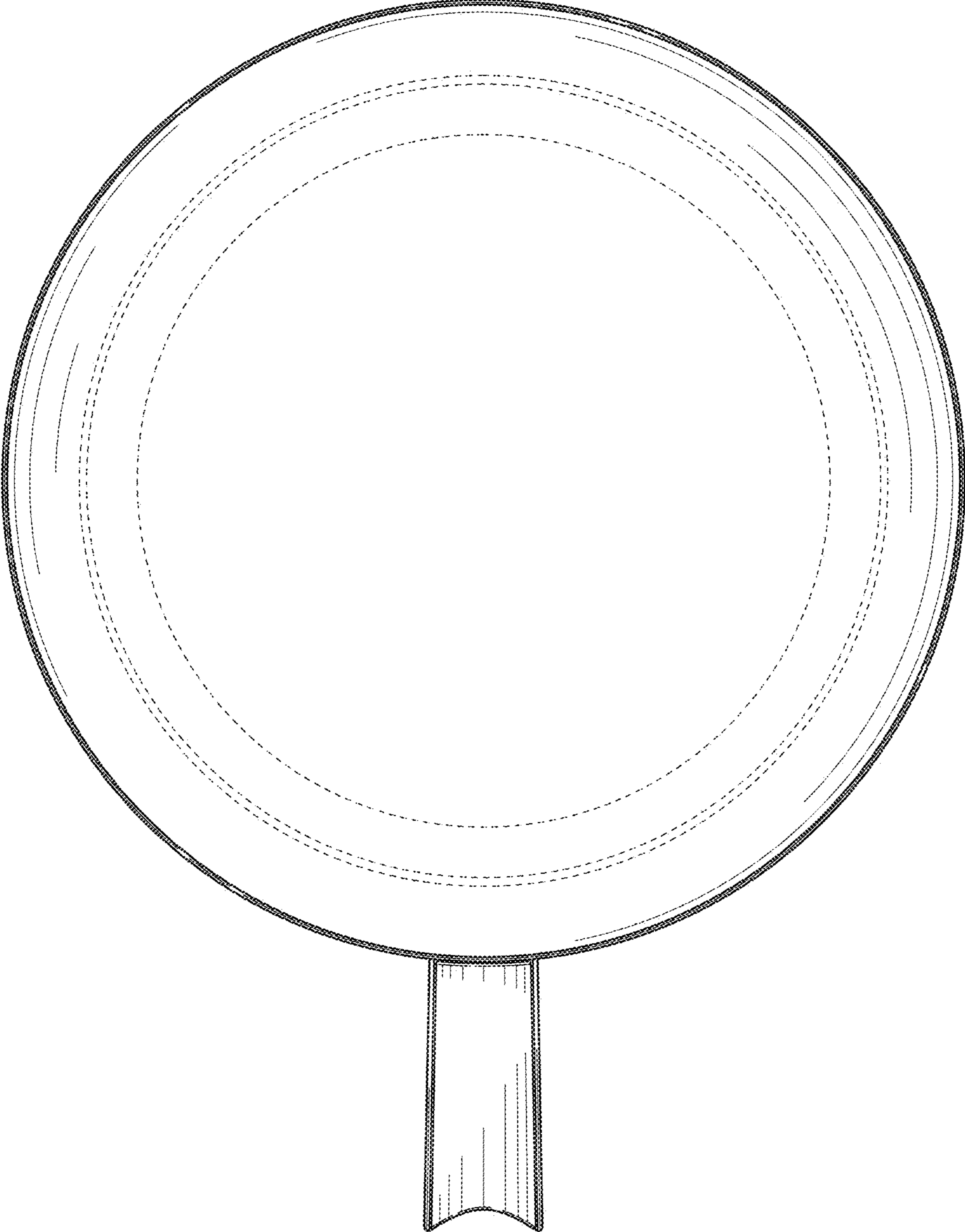


FIG. 16