



US00D912870S

(12) **United States Design Patent**  
**Harders**

(10) **Patent No.:** **US D912,870 S**  
(45) **Date of Patent:** **\*\* Mar. 9, 2021**

(54) **LOW-VOLTAGE LIGHT**

2017/0198887 A1\* 7/2017 Veloskey ..... F21V 17/02  
2020/0191366 A1\* 6/2020 Mullen ..... F21V 21/0824

(71) Applicant: **Patrick Harders**, Sterling, VA (US)

\* cited by examiner

(72) Inventor: **Patrick Harders**, Sterling, VA (US)

*Primary Examiner* — Brian N. Vinson

(\*\*) Term: **15 Years**

(57) **CLAIM**

The ornamental design for a low voltage light, as shown and described.

(21) Appl. No.: **29/703,379**

**DESCRIPTION**

(22) Filed: **Aug. 27, 2019**

(51) **LOC (13) Cl.** ..... **26-03**

(52) **U.S. Cl.**  
USPC ..... **D26/63**

(58) **Field of Classification Search**  
USPC ..... D26/24, 60-71, 85, 92, 113, 118, 119  
CPC ..... F21V 21/14; F21V 15/01; F21V 14/02;  
F21V 21/30; F21V 14/00; F21Y  
2105/001; F21S 8/00

See application file for complete search history.

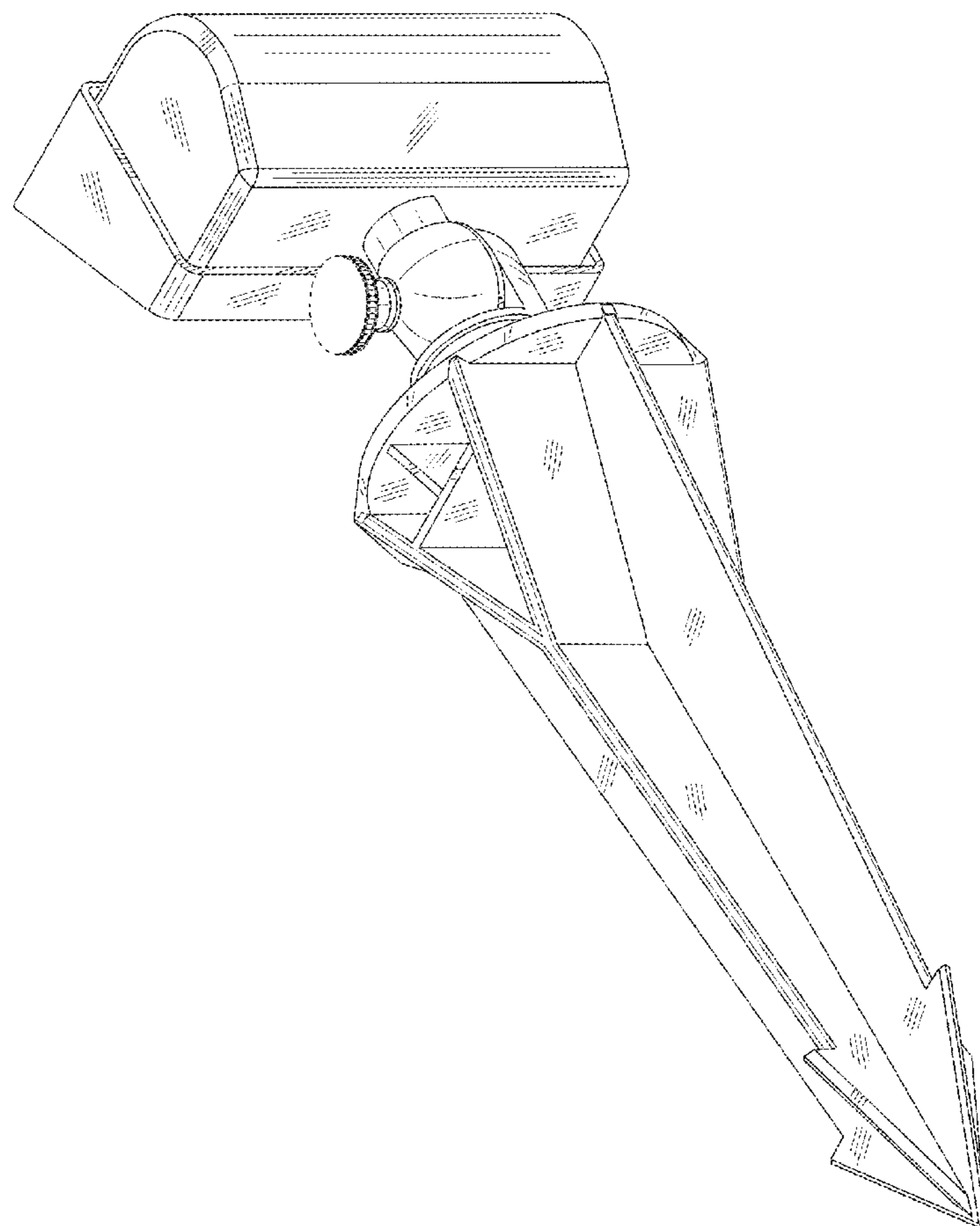
FIG. 1 shows an isometric view of a low voltage light having the design of the present invention.  
FIG. 2 depicts a left side view of a low voltage light having the design of the present invention.  
FIG. 3 is a right side view of a low voltage light having the design of the present invention.  
FIG. 4 presents a front view of a low voltage light having the design of the present invention.  
FIG. 5 shows a rear view of a low voltage light having the design of the present invention.  
FIG. 6 depicts a top view of a low voltage light having the design of the present invention; and,  
FIG. 7 is a bottom view of a low voltage light having the design of the present invention.  
The broken line disclosure represents unclaimed subject matter which forms no part of the claimed design.

(56) **References Cited**

U.S. PATENT DOCUMENTS

D859,718 S \* 9/2019 Groat ..... D26/63  
D868,330 S \* 11/2019 Ji ..... D26/63  
D874,703 S \* 2/2020 Wu ..... D26/63

**1 Claim, 6 Drawing Sheets**



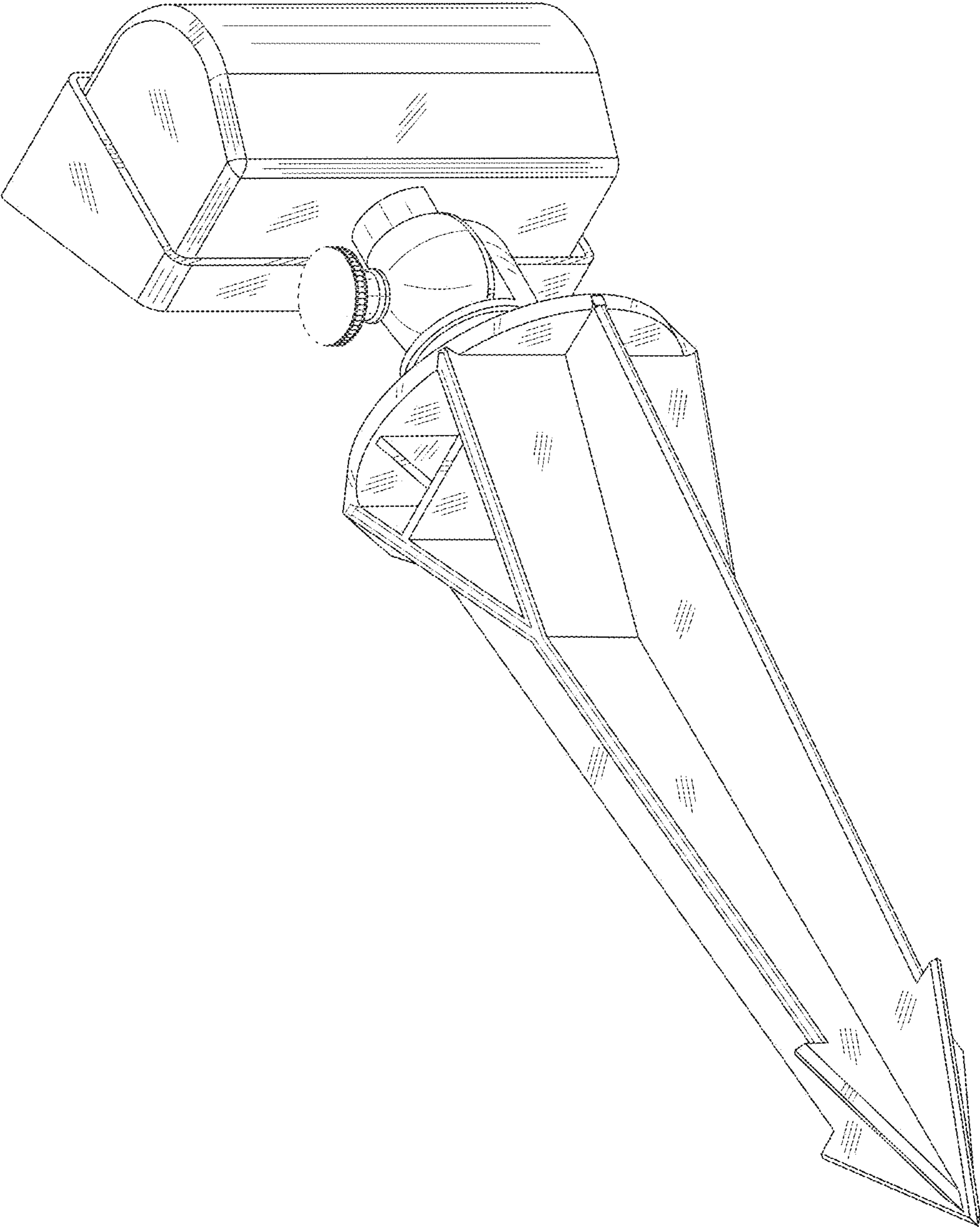


Fig. 1

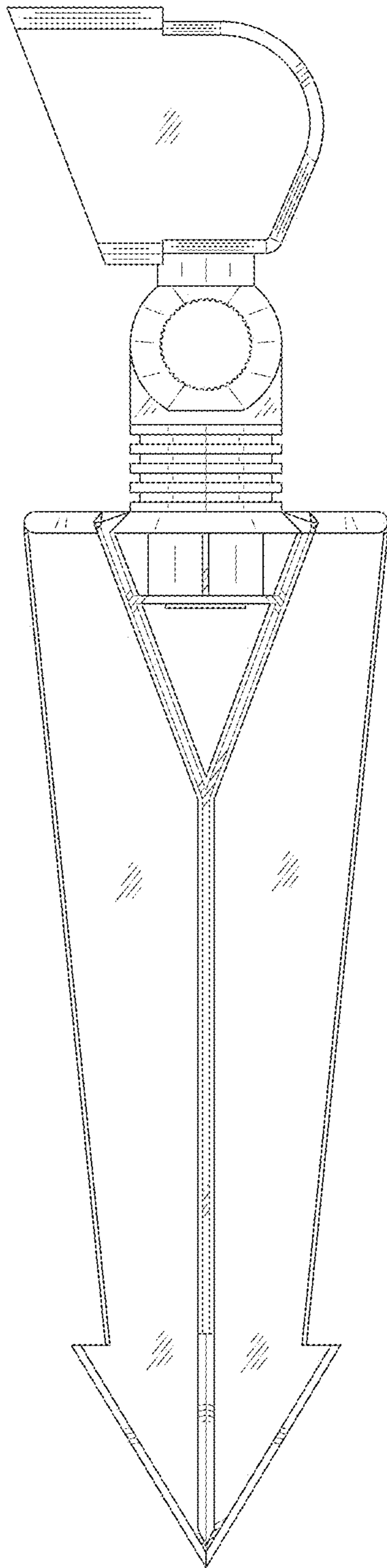


Fig. 2

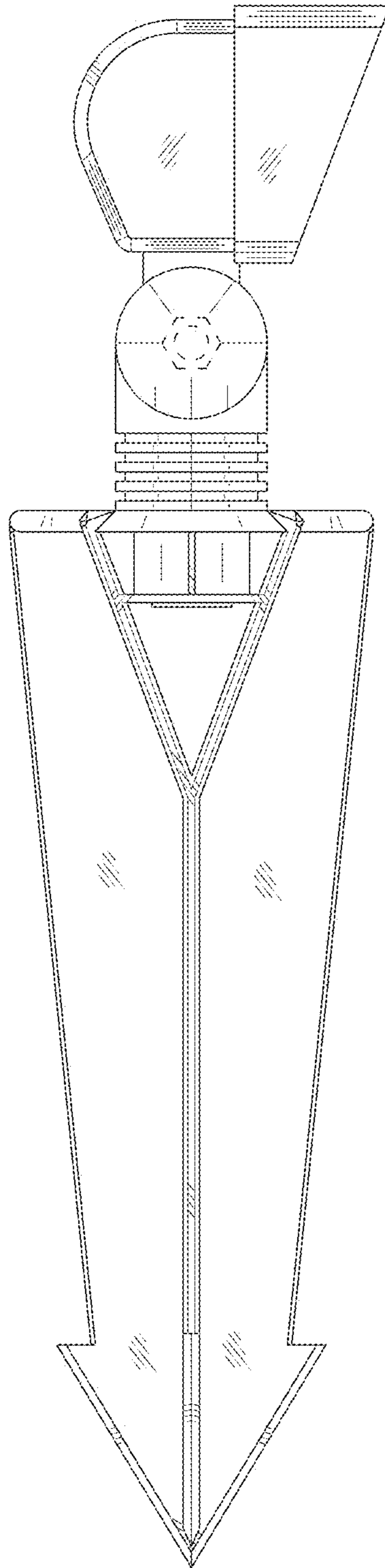


Fig. 3

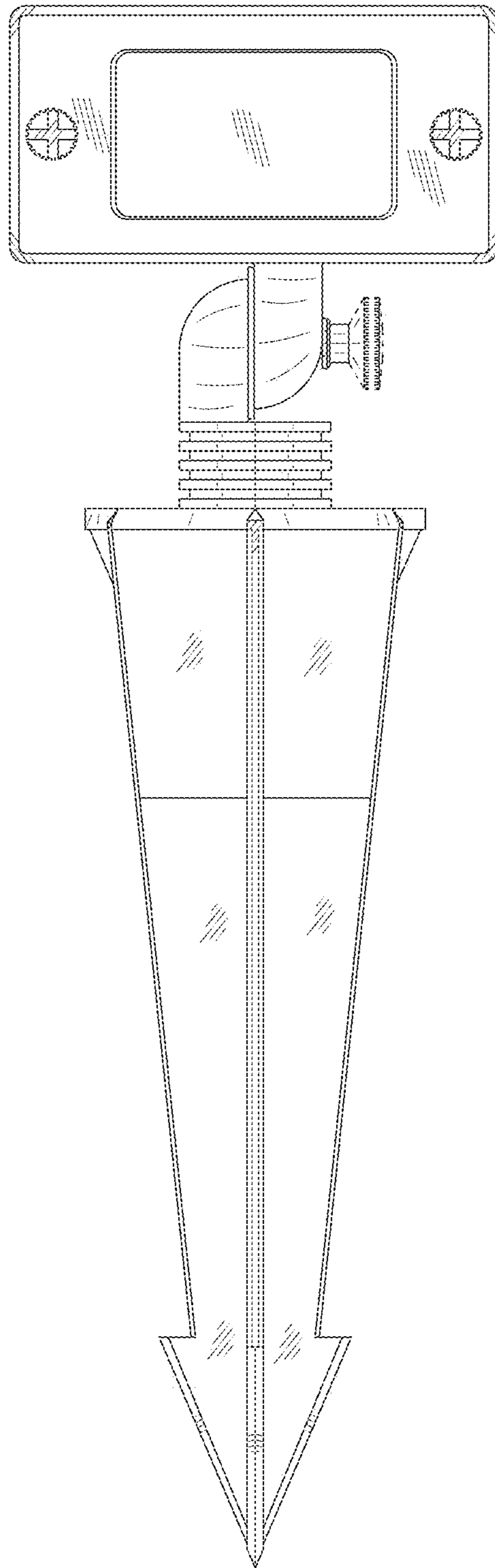


Fig. 4



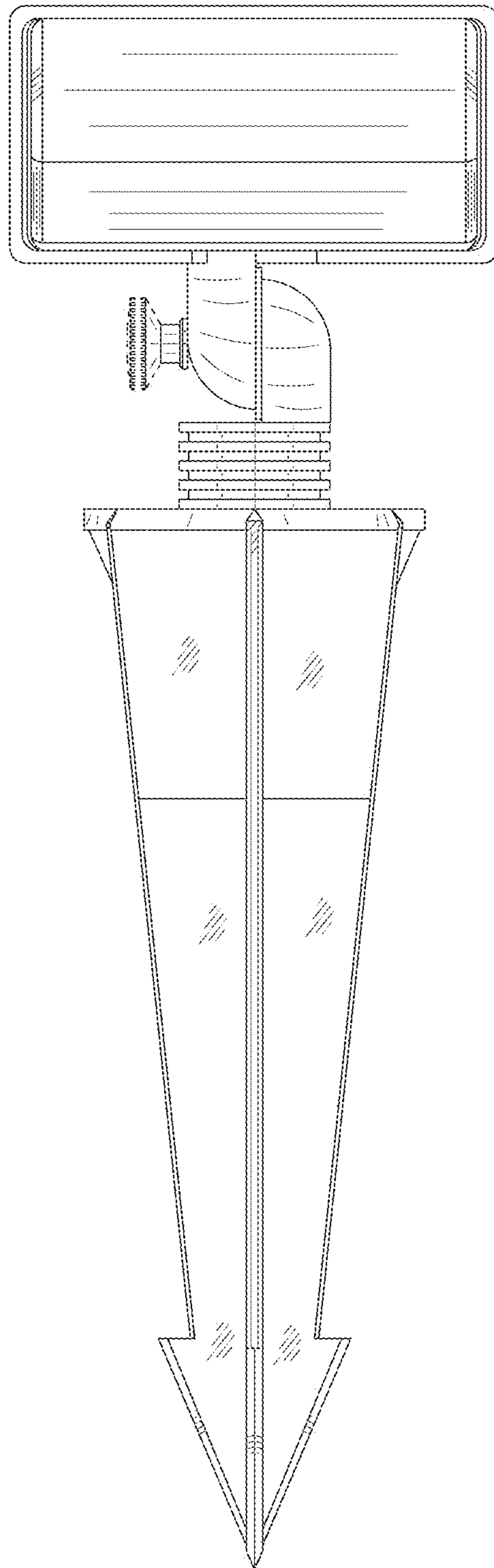


Fig. 5

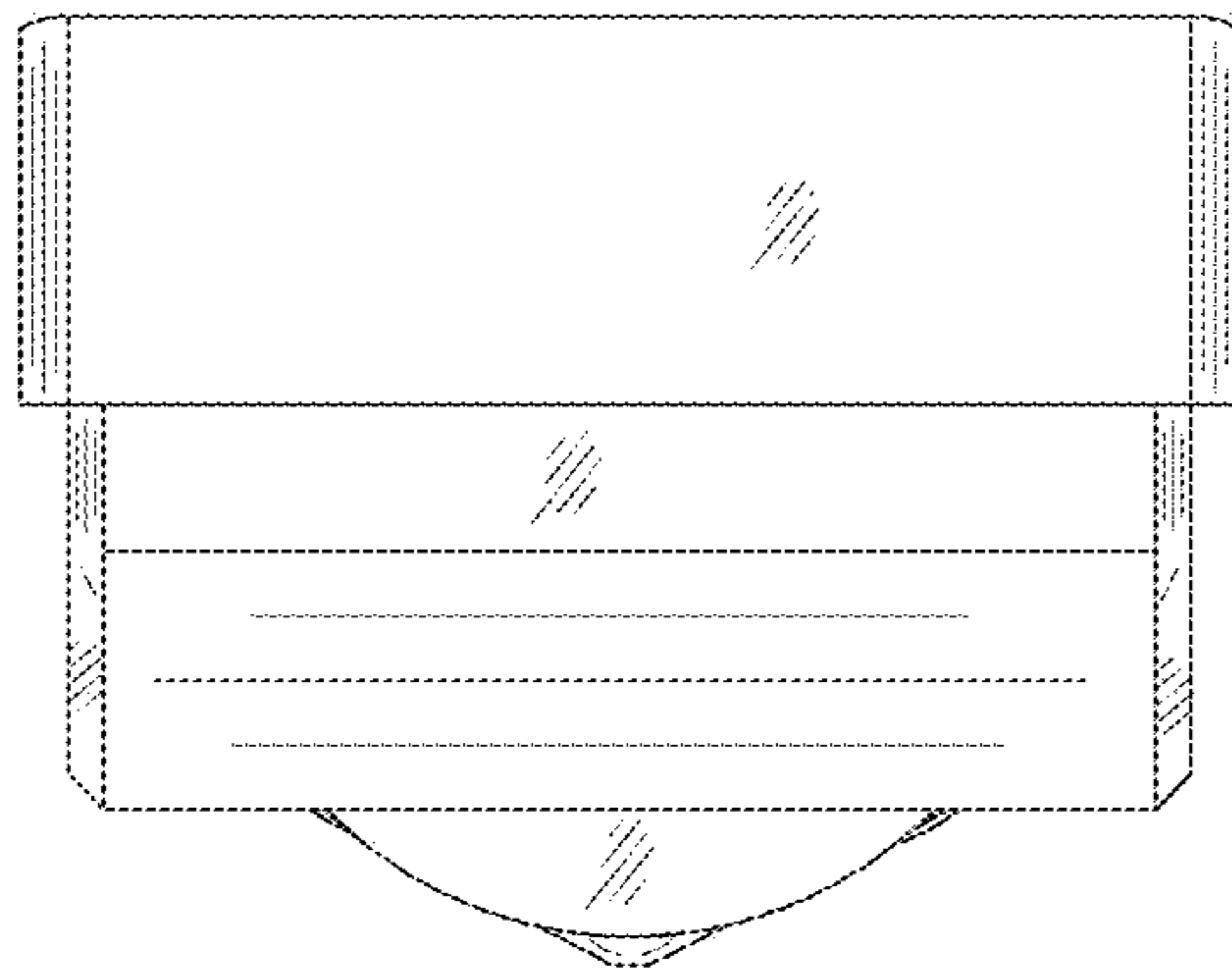


Fig. 6

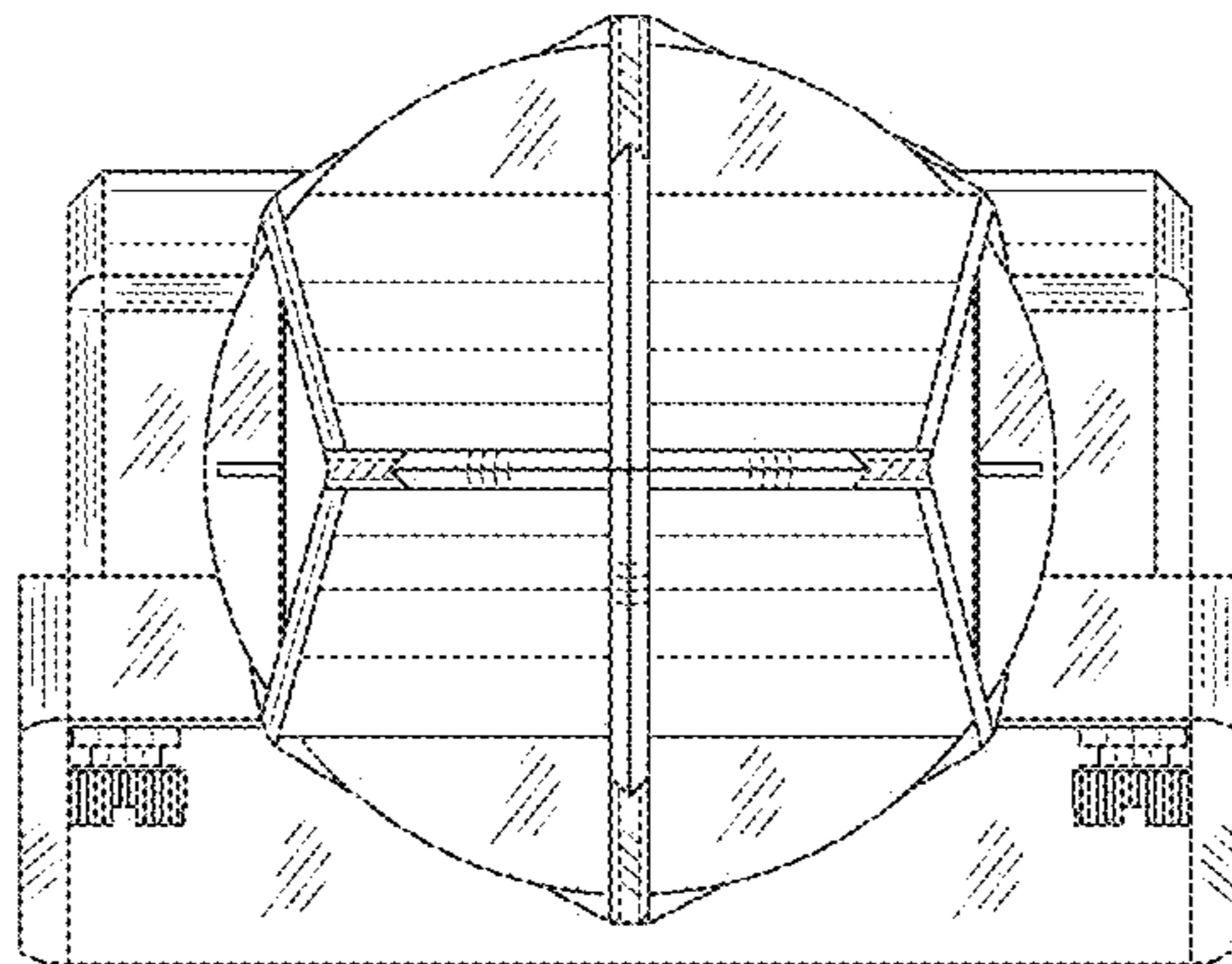


Fig. 7