

US00D912869S

(12) **United States Design Patent** (10) **Patent No.:** **US D912,869 S**
Lin (45) **Date of Patent:** **** Mar. 9, 2021**

(54) **PROJECTOR LAMP**

(56) **References Cited**

(71) Applicant: **Xiuyan Lin**, Puning (CN)

U.S. PATENT DOCUMENTS

(72) Inventor: **Xiuyan Lin**, Puning (CN)

D861,926 S * 10/2019 Lin D26/2
D879,349 S * 3/2020 Li D26/63
D882,851 S * 4/2020 Deng D26/63
D886,353 S * 6/2020 Du D26/63
D895,170 S * 9/2020 Zhang D26/2

(**) Term: **15 Years**

* cited by examiner

(21) Appl. No.: **29/698,250**

(22) Filed: **Jul. 16, 2019**

Primary Examiner — Brian N. Vinson

(51) **LOC (13) Cl.** **26-03**

(74) *Attorney, Agent, or Firm* — True Shepherd LLC;
Andrew C. Cheng

(52) **U.S. Cl.**
USPC **D26/63**

(57) **CLAIM**

(58) **Field of Classification Search**
USPC D26/25, 63, 65, 61
CPC F21S 8/04; F21S 8/00; F21S 8/036; F21S
8/038; F21S 8/043; F21S 8/081; F21S
8/083; F21S 8/085; F21S 8/086; F21S
8/088; F21S 13/10; F21S 9/03; F21S
9/035; F21S 9/037; F21S 6/003; F21V
21/00; F21V 17/02; F21V 14/02; F21V
21/30; F21V 21/14; F21V 21/26; F21W
2131/10

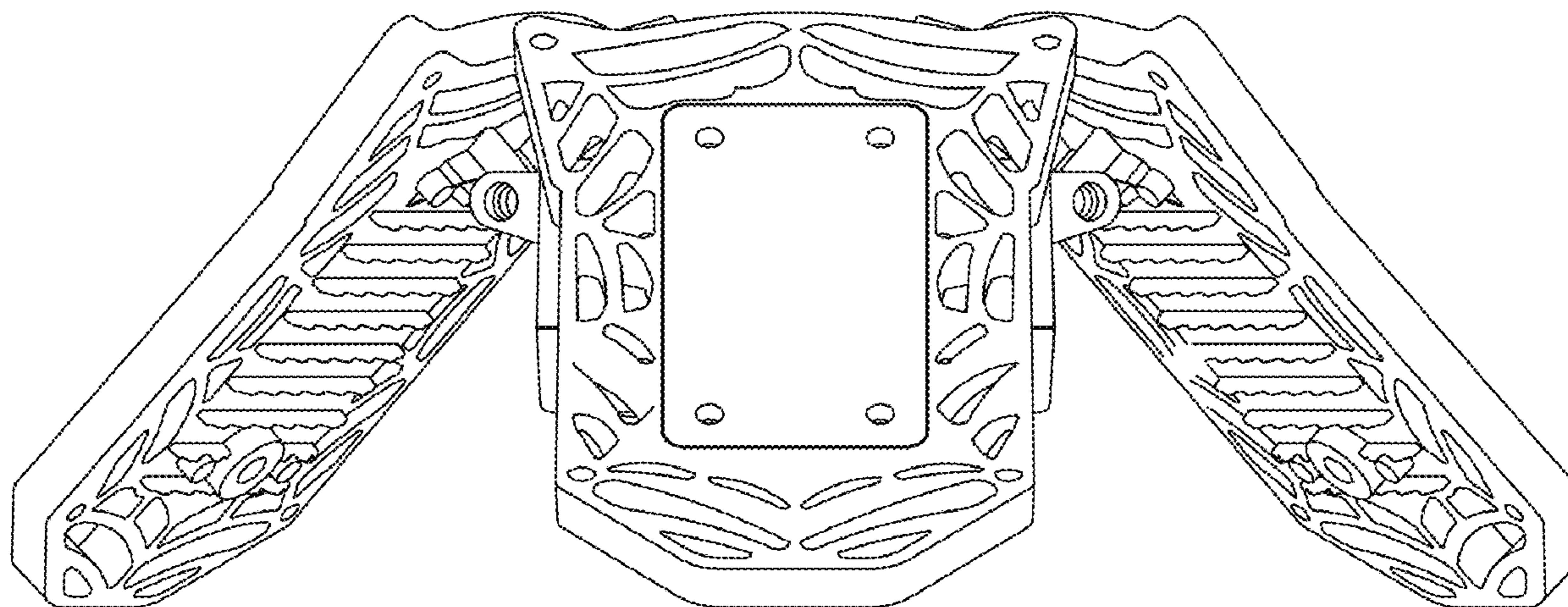
The ornamental design for a projector lamp, as shown and described.

DESCRIPTION

FIG. 1 is a front view of a projector lamp showing my new design;
FIG. 2 is a back view thereof;
FIG. 3 is a left side view thereof;
FIG. 4 is a right side view thereof;
FIG. 5 is a top view thereof; and,
FIG. 6 is a bottom view thereof.

See application file for complete search history.

1 Claim, 6 Drawing Sheets



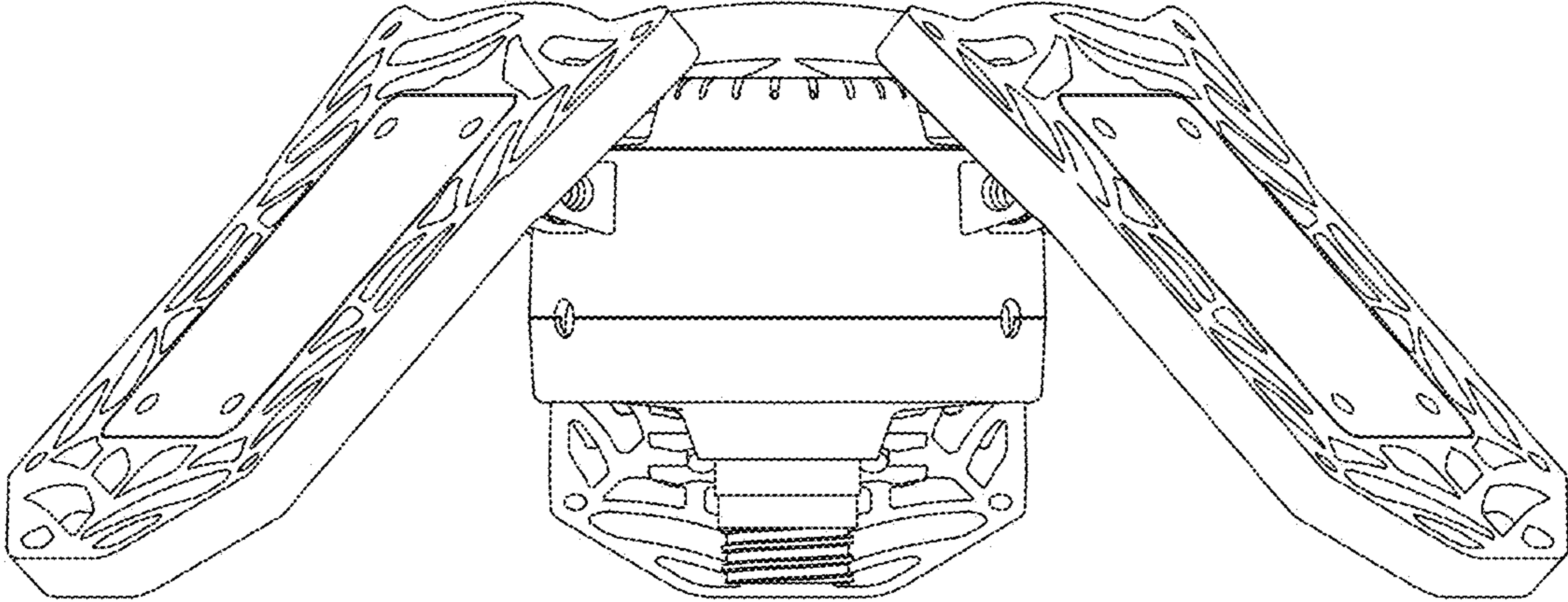


FIG. 1

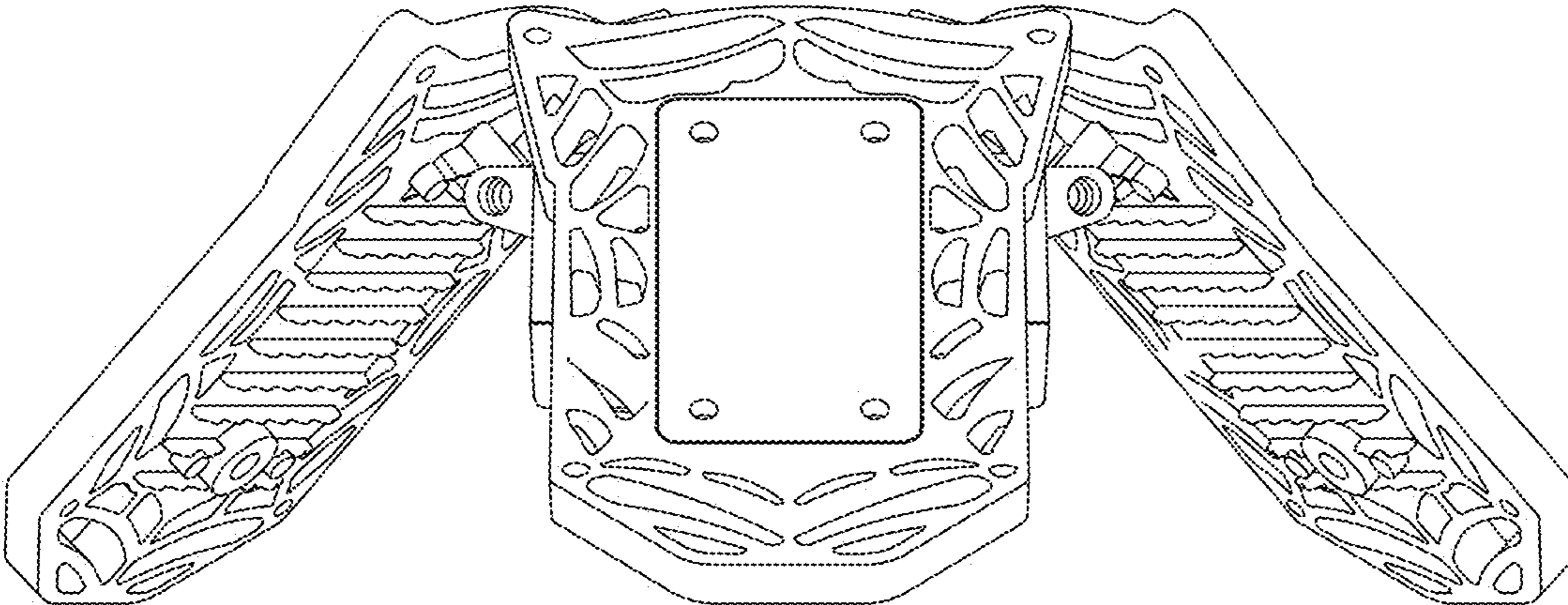


FIG. 2

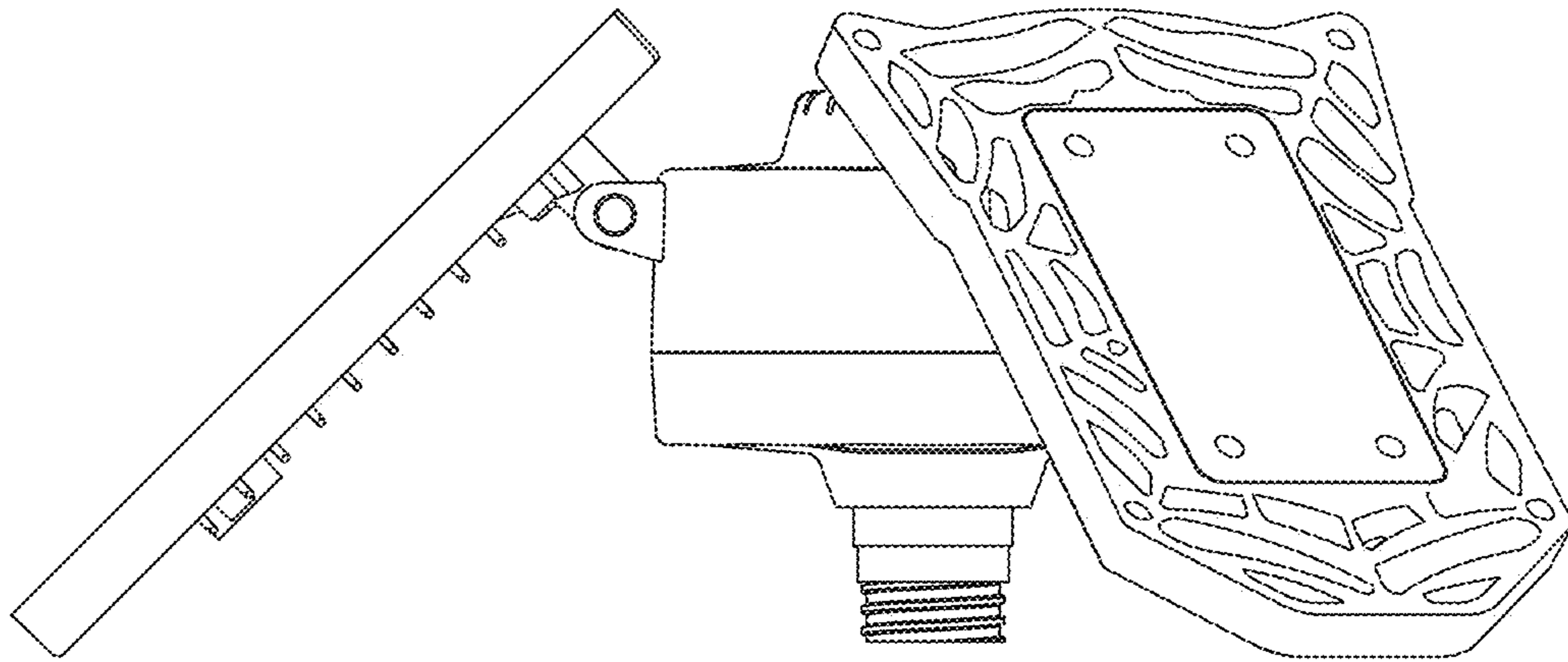


FIG. 3

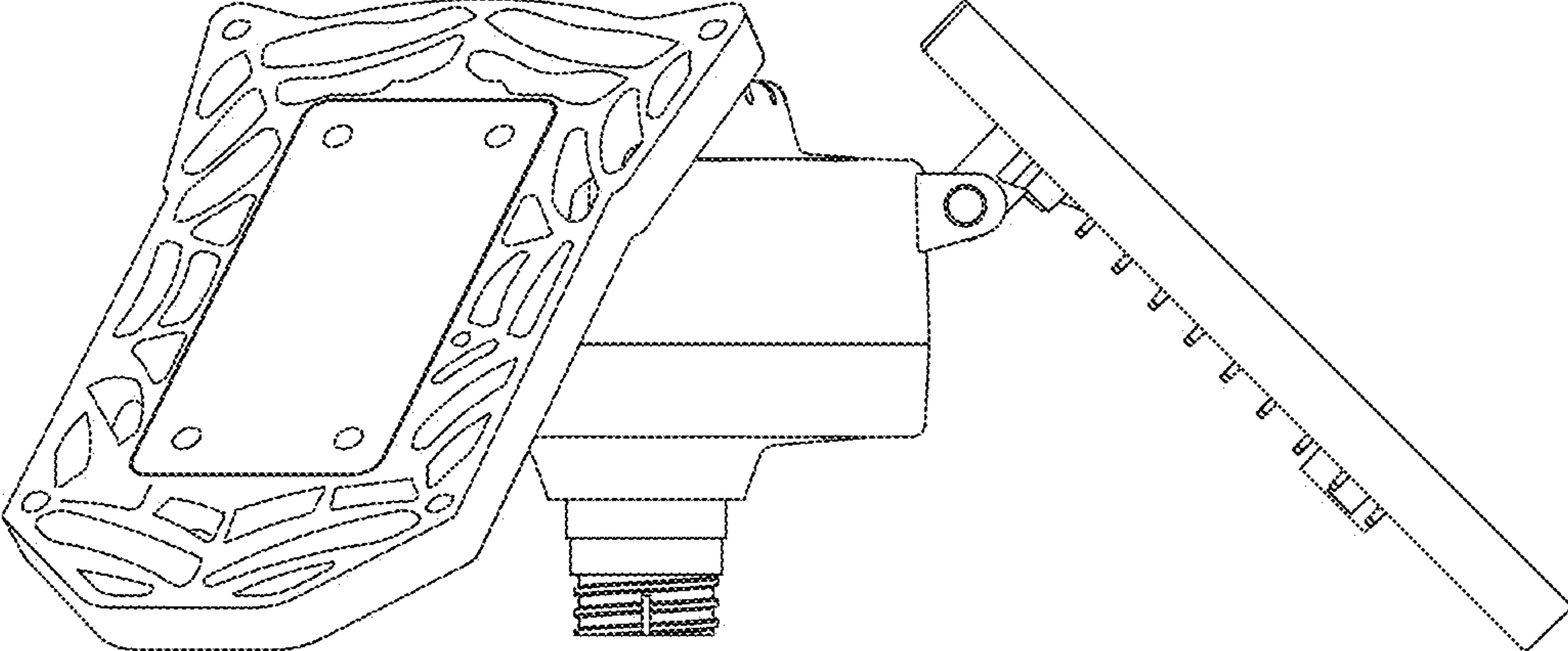


FIG. 4

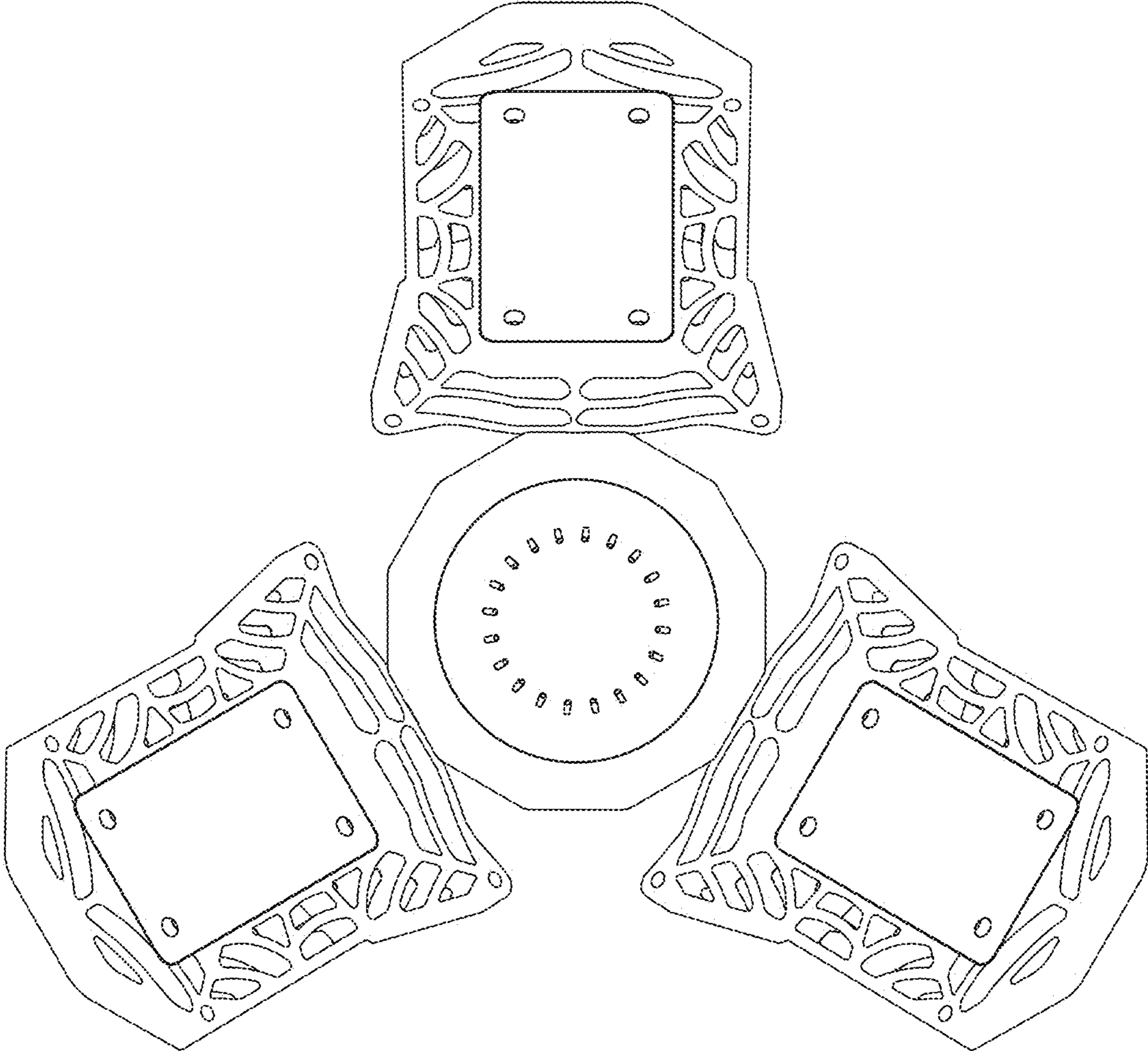


FIG. 5

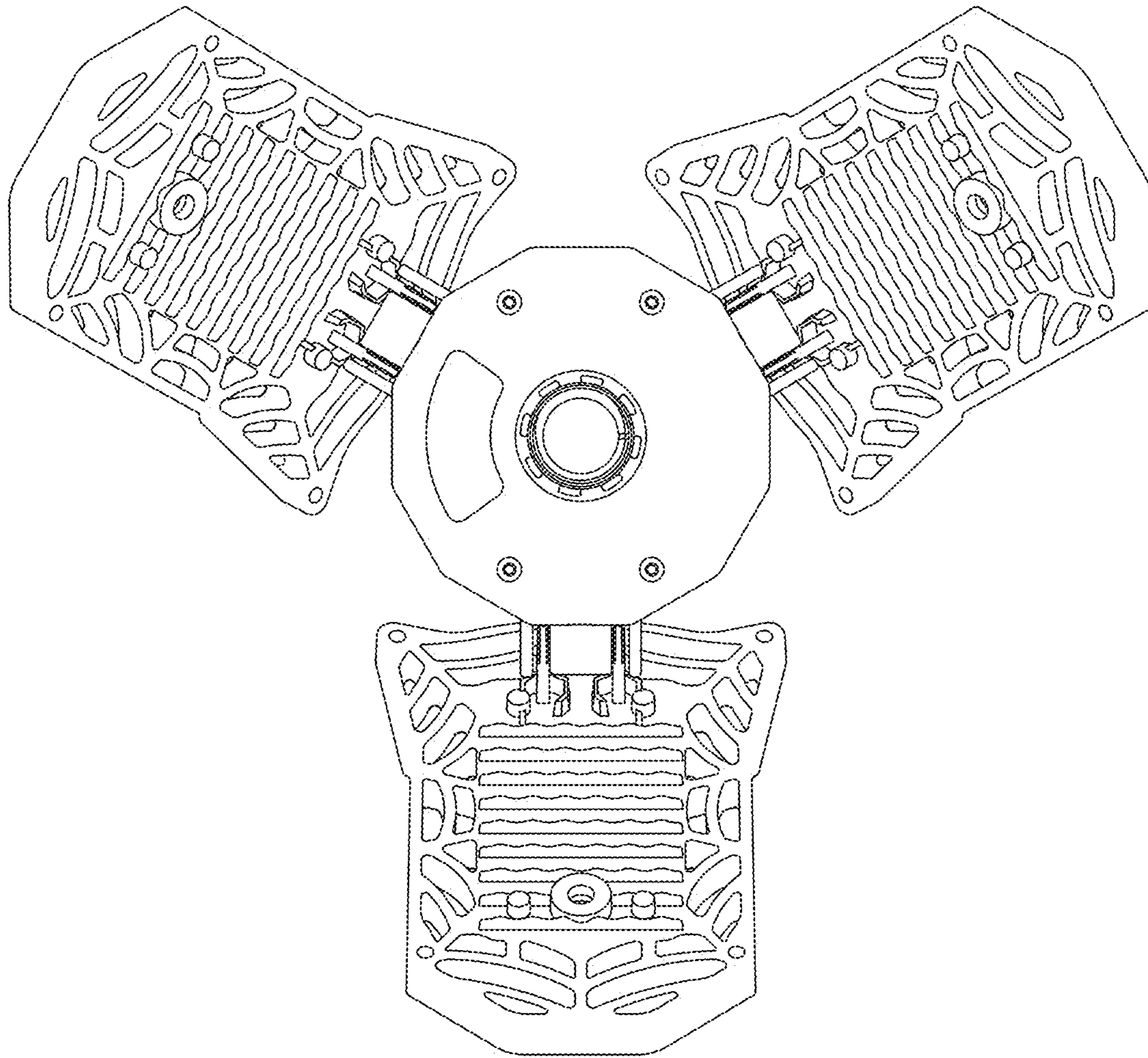


FIG. 6