



US00D912868S

(12) **United States Design Patent**
Morán

(10) **Patent No.:** **US D912,868 S**

(45) **Date of Patent:** **** Mar. 9, 2021**

(54) **LIGHT FIXTURE**

(71) Applicant: **ANTARES ILUMINACIÓN, S.A.**,
Valencia (ES)

(72) Inventor: **Jorge Herrera Morán**, Valencia (ES)

(73) Assignee: **ANTARES ILUMINACIÓN, S.A.**,
Valencia (ES)

(**) Term: **15 Years**

(21) Appl. No.: **29/696,460**

(22) Filed: **Jun. 27, 2019**

(51) **LOC (13) Cl.** **26-05**

(52) **U.S. Cl.**
USPC **D26/63; D26/66**

(58) **Field of Classification Search**
USPC D26/24, 25, 29, 44, 60, 61, 63, 66, 72,
D26/88, 90; D10/106.6, 114.1, 114.2;
D14/225, 227, 228
CPC F21S 8/00; F21S 8/03; F21S 8/04; F21S
8/003; F21S 8/033; F21S 8/038; F21S
8/35; F21S 9/00; F21S 9/022; F21V
21/00; F21V 21/02; F21V 21/14; F21V
21/30; F21W 2131/10; F21W 2131/30;
F21W 2131/40; F21W 2131/107; F21W
2131/1005

See application file for complete search history.

(56) **References Cited**

U.S. PATENT DOCUMENTS

D316,156 S * 4/1991 Gecchelin D26/63
6,739,740 B1 * 5/2004 Feldman F21V 21/34
362/147

D563,579 S * 3/2008 Grimberg D26/61
D703,362 S * 4/2014 Sabernig D26/86
D715,348 S * 10/2014 Peacock D16/203
D773,091 S * 11/2016 Nouvel D26/63
D788,344 S * 5/2017 Gecchelin D26/63
D795,479 S * 8/2017 Goetz-Schaefer D26/63
D795,480 S * 8/2017 Goetz-Schaefer D26/63
D800,363 S * 10/2017 Terumichi D26/63
D812,280 S * 3/2018 Lechtenberg D26/63
D821,625 S * 6/2018 Couvreur D26/63
D848,653 S * 5/2019 Gines D26/63
D855,584 S * 8/2019 Laine D14/216
D859,717 S * 9/2019 Martinez Weber D26/63
10,443,819 B2 * 10/2019 Yamae G02B 27/0983
D887,057 S * 6/2020 Healey D26/63
D893,787 S * 8/2020 Moriarty D26/63

* cited by examiner

Primary Examiner — Wan Laymon

Assistant Examiner — Clint A Samuel

(74) *Attorney, Agent, or Firm* — Rothwell, Figg, Ernst &
Manbeck, P.C.

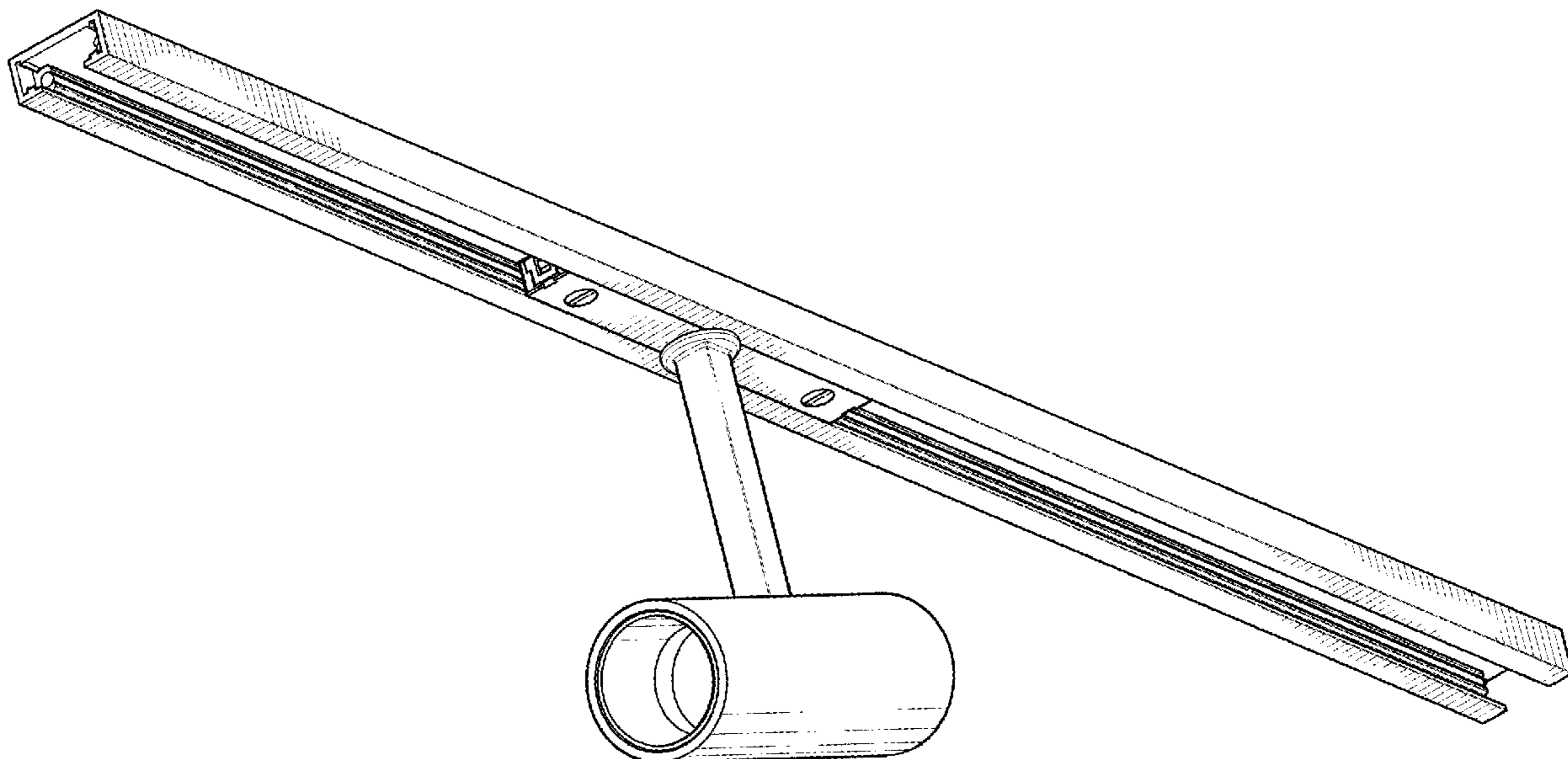
(57) **CLAIM**

The ornamental design for a light fixture, as shown and
described.

DESCRIPTION

FIG. 1 is a perspective view of the bottom, front, and right
side of the light fixture;
FIG. 2 is a front view of the light fixture;
FIG. 3 is a rear view of the light fixture;
FIG. 4 is a left side view of the light fixture;
FIG. 5 is a bottom view of the light fixture;
FIG. 6 is a right side view of the light fixture; and,
FIG. 7 is a top view of the light fixture.

1 Claim, 4 Drawing Sheets



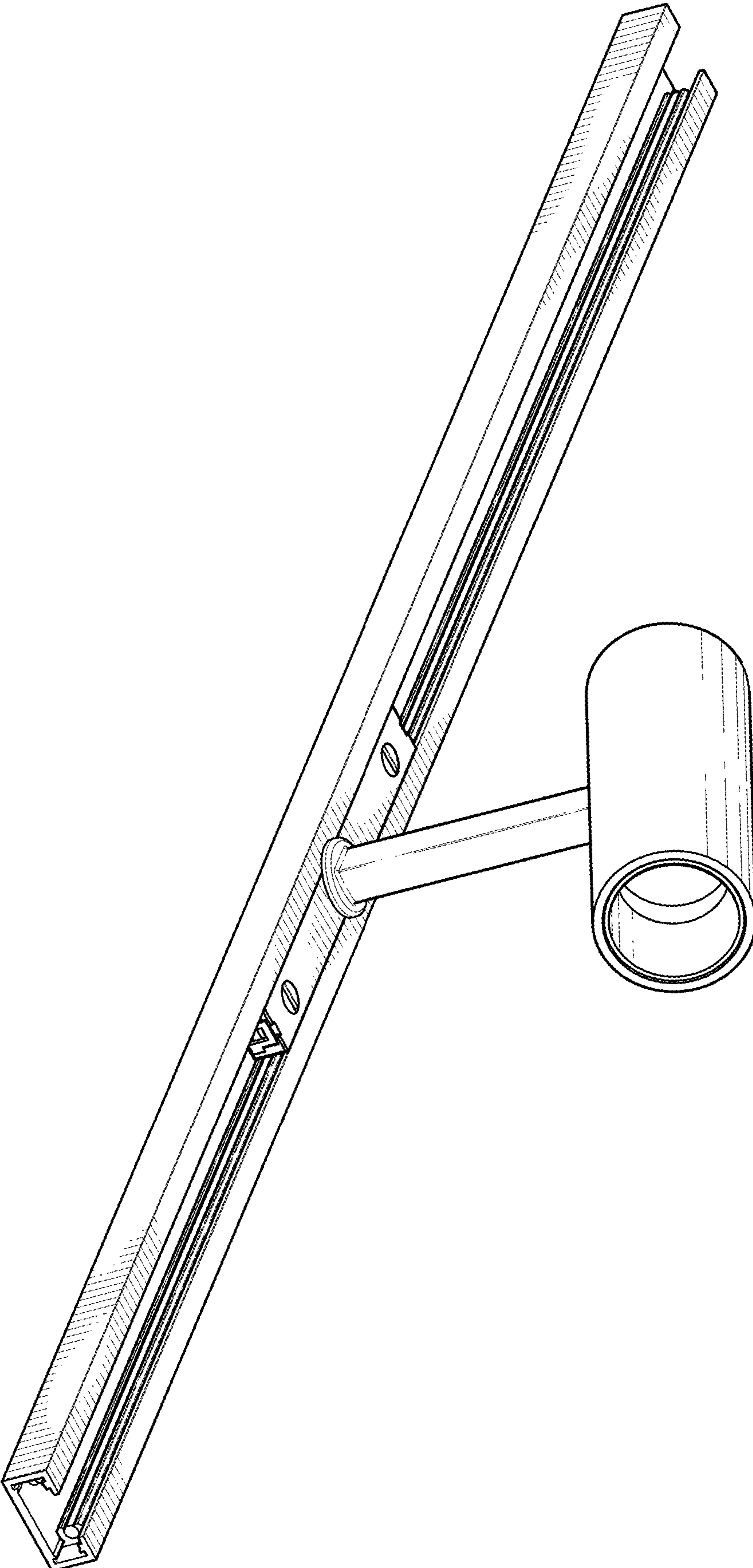


FIG. 1

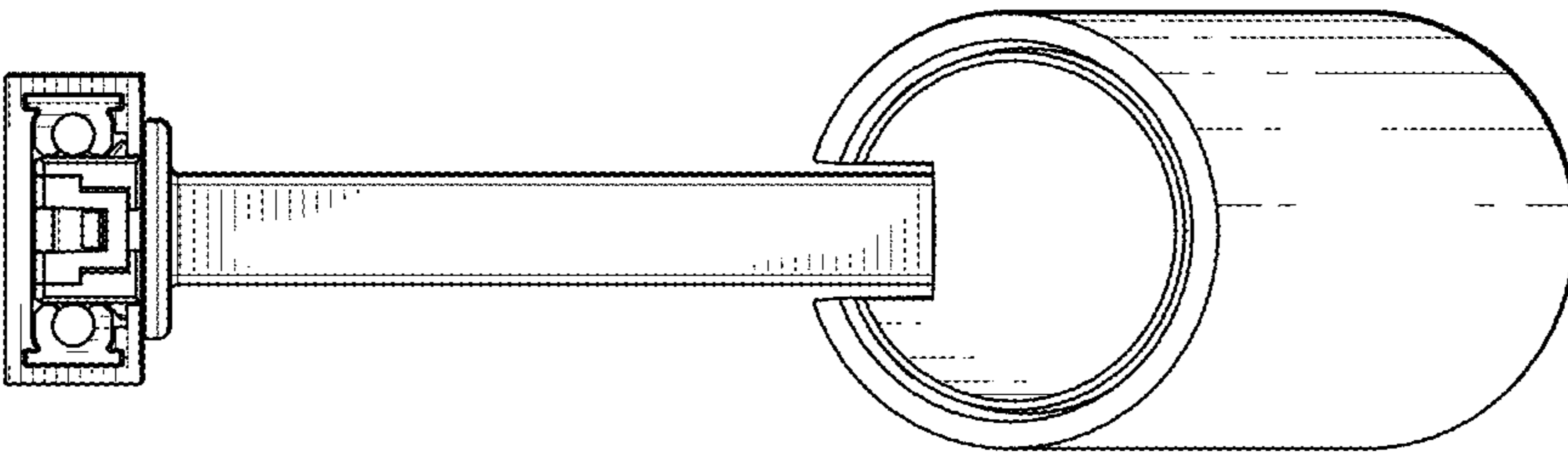


FIG. 3

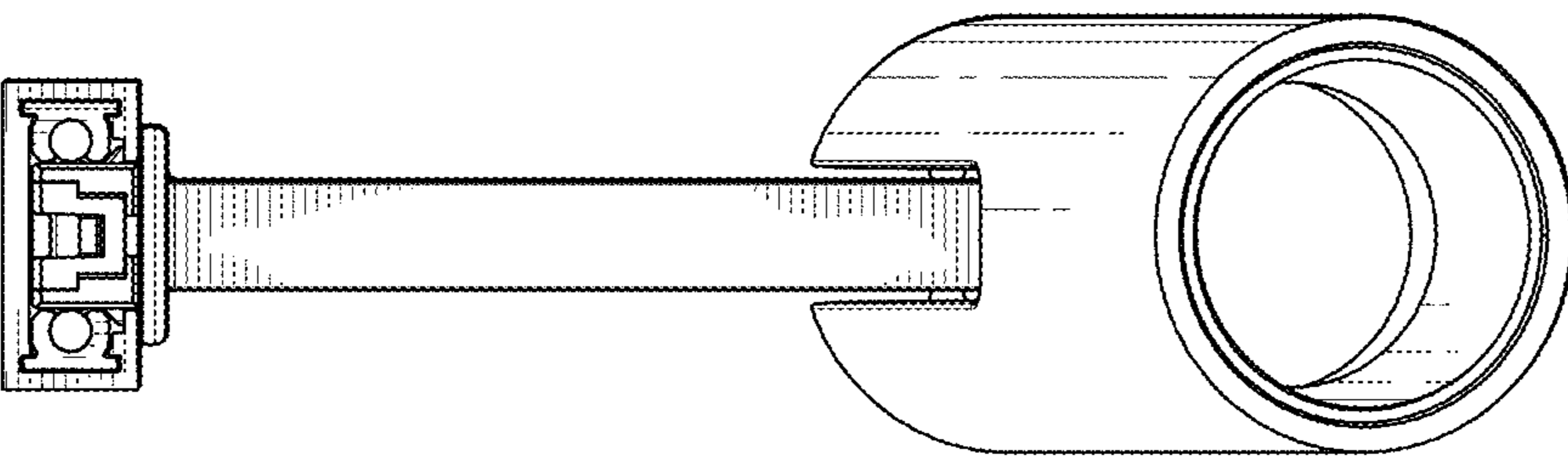


FIG. 2

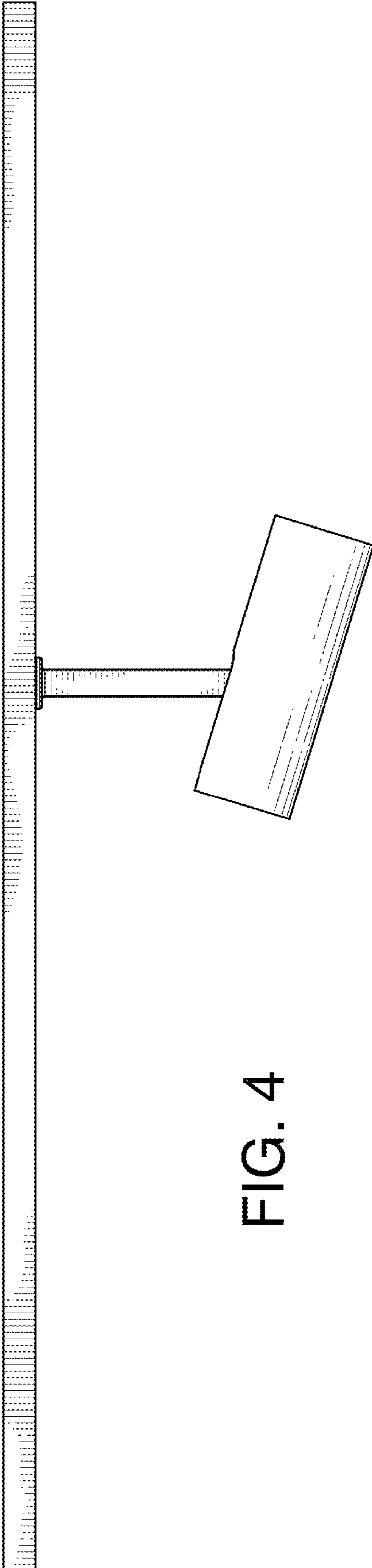


FIG. 4

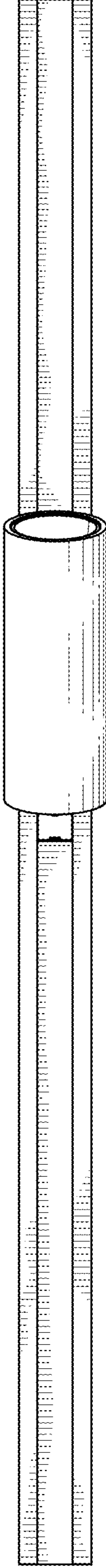


FIG. 5

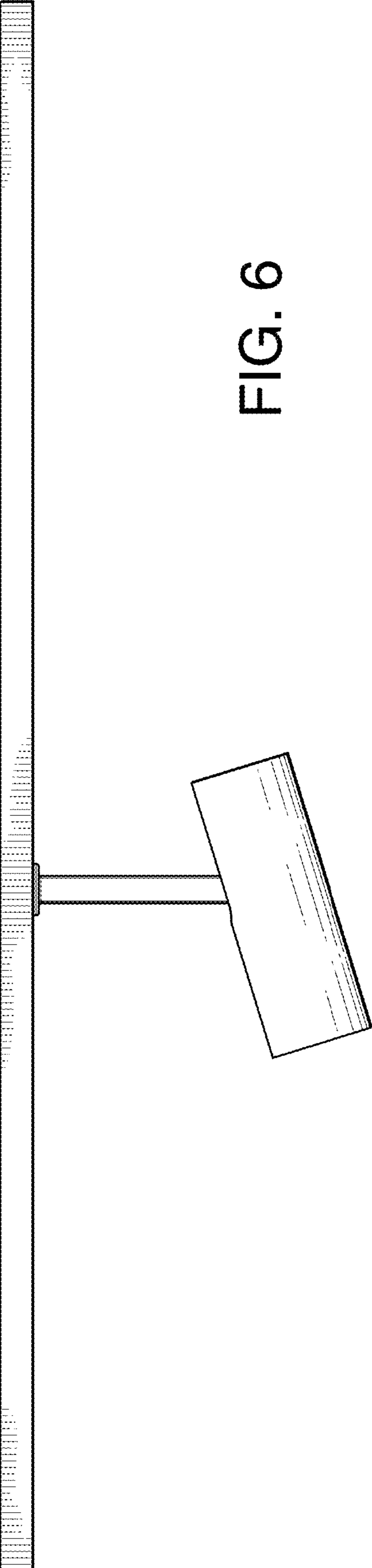


FIG. 6

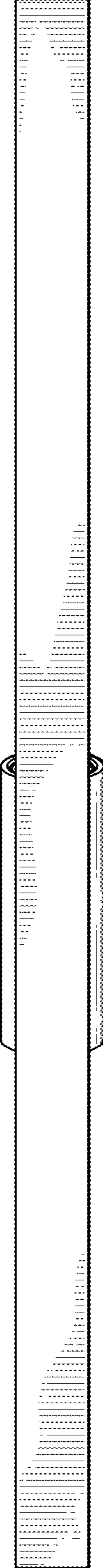


FIG. 7