



US00D912867S

(12) **United States Design Patent**  
**Qiu**

(10) **Patent No.:** **US D912,867 S**  
(45) **Date of Patent:** **\*\* Mar. 9, 2021**

(54) **WORKING LAMP**

**DESCRIPTION**

(71) Applicant: **NINGBO FUTAI ELECTRIC LIMITED**, Zhejiang (CN)  
(72) Inventor: **Fujun Qiu**, Ningbo (CN)  
(73) Assignee: **NINGBO FUTAI ELECTRIC LIMITED**, Zhejiang (CN)  
(\*\*) Term: **15 Years**  
(21) Appl. No.: **29/684,790**  
(22) Filed: **Mar. 24, 2019**  
(51) **LOC (13) Cl.** ..... **26-03**  
(52) **U.S. Cl.**  
USPC ..... **D26/63**  
(58) **Field of Classification Search**  
USPC ..... D26/1, 24, 37, 61, 63, 65, 85, 92  
CPC ..... F21V 21/14; F21V 15/01; F21V 14/02;  
F21V 21/30; F21V 21/00; F21V 14/00;  
F21S 8/00; F21S 8/003; F21S 8/043;  
F21Y 2105/001  
See application file for complete search history.

(56) **References Cited**

**U.S. PATENT DOCUMENTS**

D549,859 S \* 8/2007 Kovacik ..... D26/63  
D761,472 S \* 7/2016 Zhu ..... D26/63  
D781,480 S \* 3/2017 Zhan ..... D26/63  
D835,315 S \* 12/2018 Zhu ..... D26/63

(Continued)

*Primary Examiner* — Brian N. Vinson

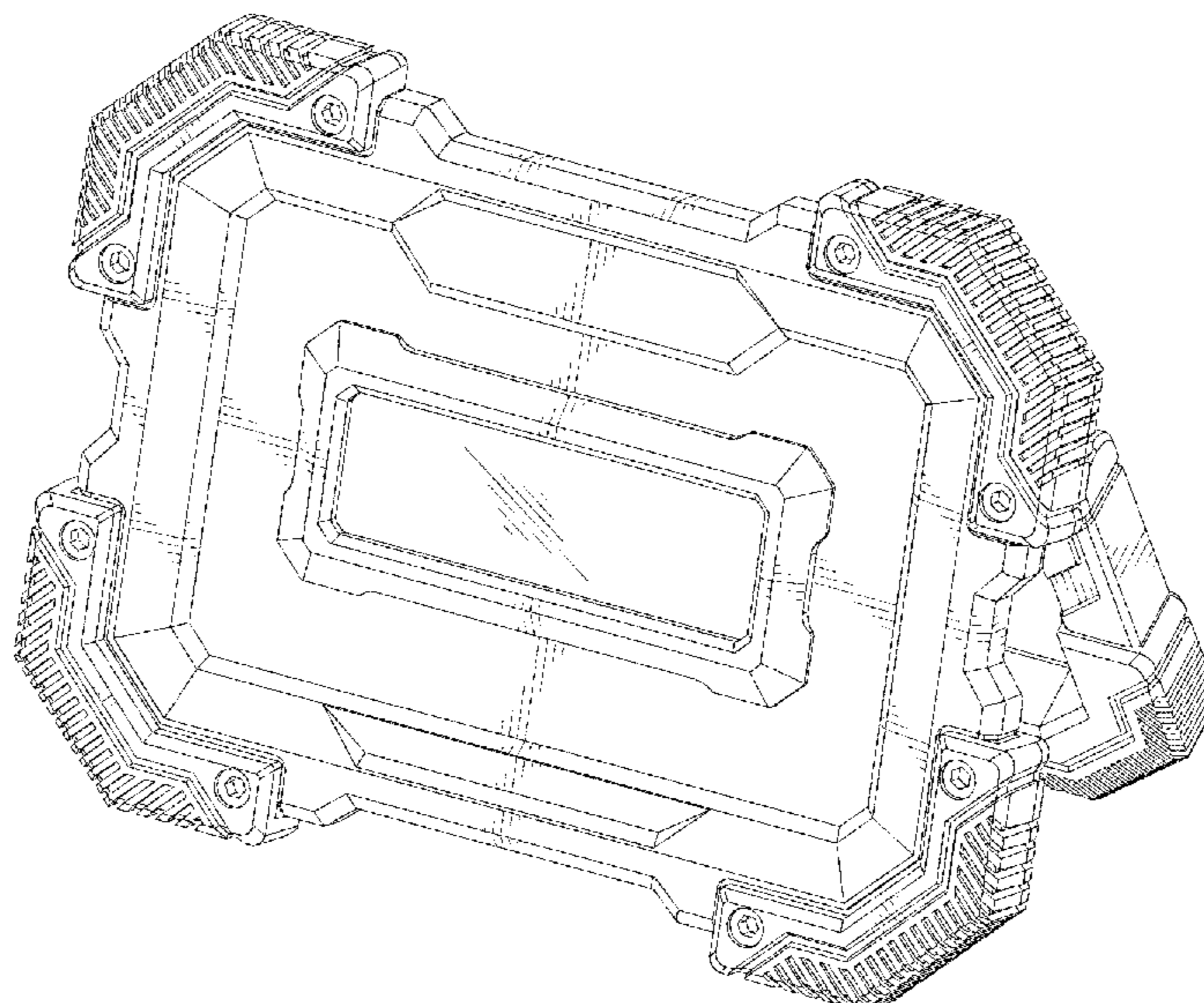
(74) *Attorney, Agent, or Firm* — Raymond Y. Chan;  
David and Raymond Patent Firm

(57) **CLAIM**

The ornamental design for a working lamp, as shown and described.

FIG. 1 is a front view of the working lamp showing my new design;  
FIG. 2 is a rear view thereof,  
FIG. 3 is a left view thereof,  
FIG. 4 is a right view thereof,  
FIG. 5 is a top view thereof,  
FIG. 6 is a bottom view thereof;  
FIG. 7 is a front perspective view thereof;  
FIG. 8 is a rear perspective view thereof;  
FIG. 9 is a front perspective view thereof, illustrating the working lamp at one of working conditions by rearwardly folding a foldable stand;  
FIG. 10 is a rear perspective view thereof, illustrating the working lamp at one of the working conditions by rearwardly folding the foldable stand;  
FIG. 11 is a front view of a modification of the working lamp showing my new design;  
FIG. 12 is a rear view of the modification of the working lamp;  
FIG. 13 is a left view of the modification of the working lamp;  
FIG. 14 is a right view of the modification of the working lamp;  
FIG. 15 is a top view of the modification of the working lamp;  
FIG. 16 is a bottom view of the modification of the working lamp;  
FIG. 17 is a front perspective view of the modification of the working lamp;  
FIG. 18 is a rear perspective view of the modification of the working lamp;  
FIG. 19 is a front perspective view of the modification of the working lamp, illustrating the working lamp at one of working conditions by rearwardly folding a foldable stand; and,  
FIG. 20 is a rear perspective view of the modification of the working lamp, illustrating the working lamp at one of the working conditions by rearwardly folding the foldable stand.

**1 Claim, 20 Drawing Sheets**



(56)

**References Cited**

U.S. PATENT DOCUMENTS

D880,036 S \* 3/2020 Qiu ..... D26/61  
D883,545 S \* 5/2020 Zhang ..... D26/63

\* cited by examiner

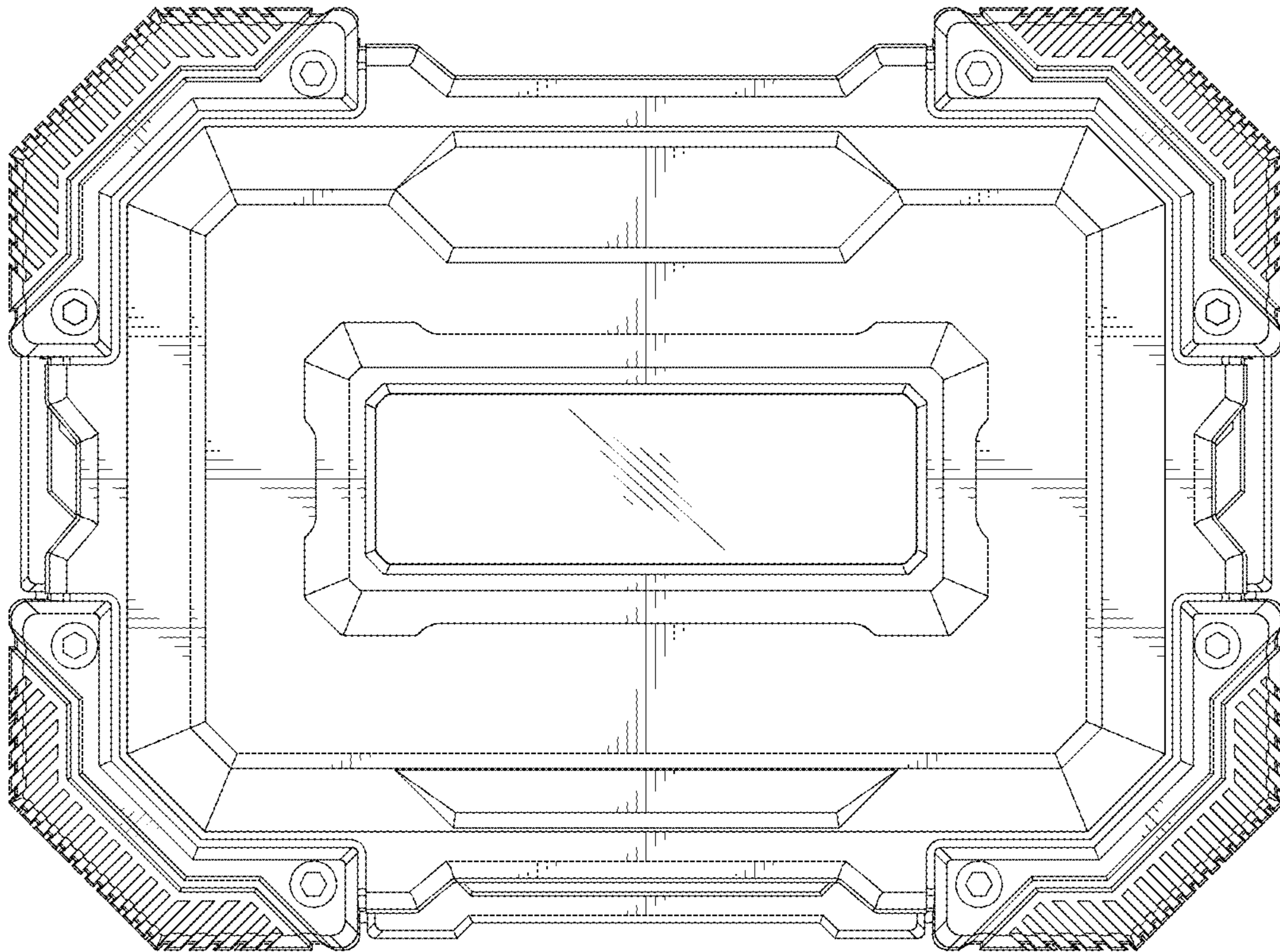


FIG.1

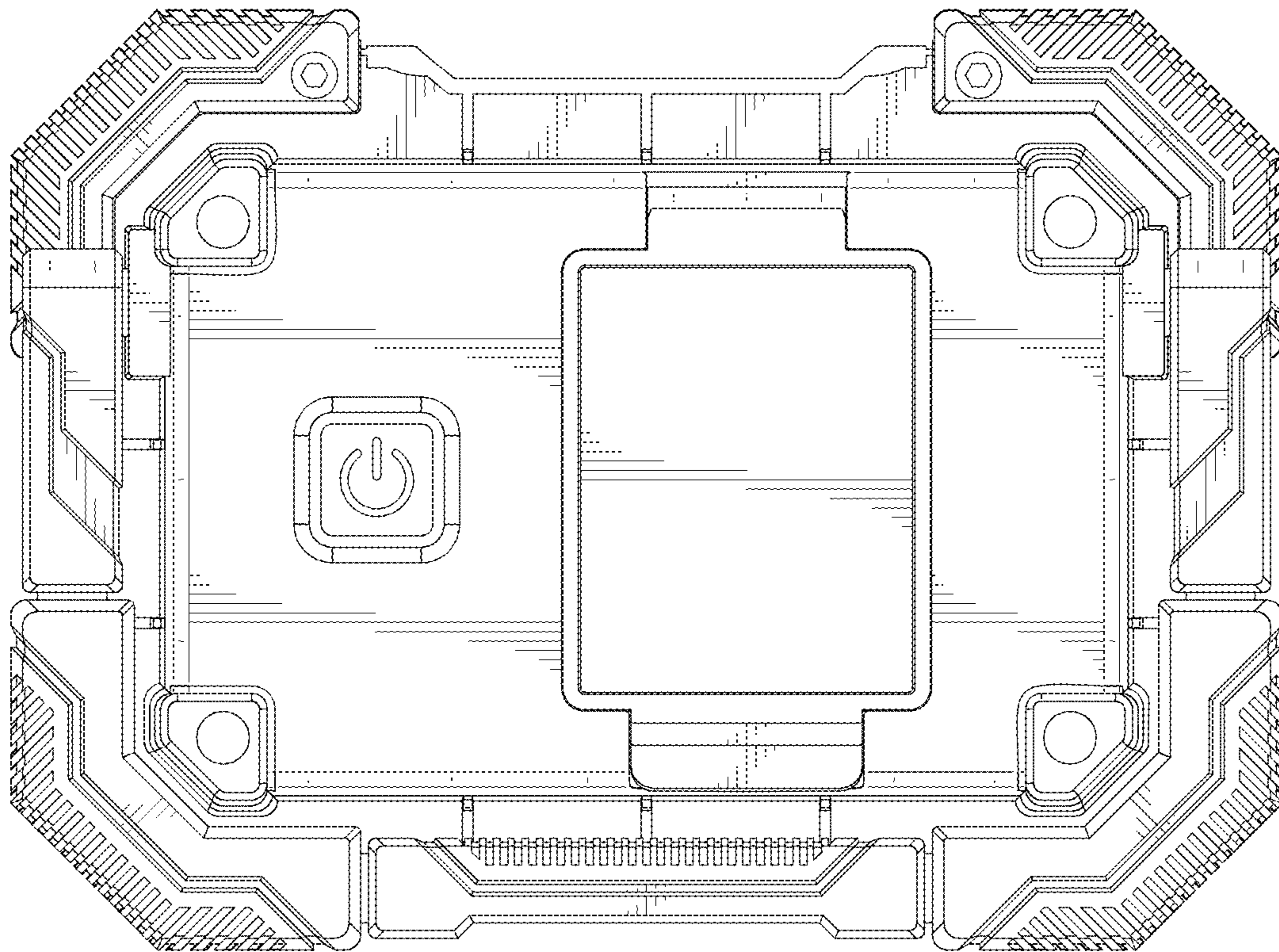


FIG.2

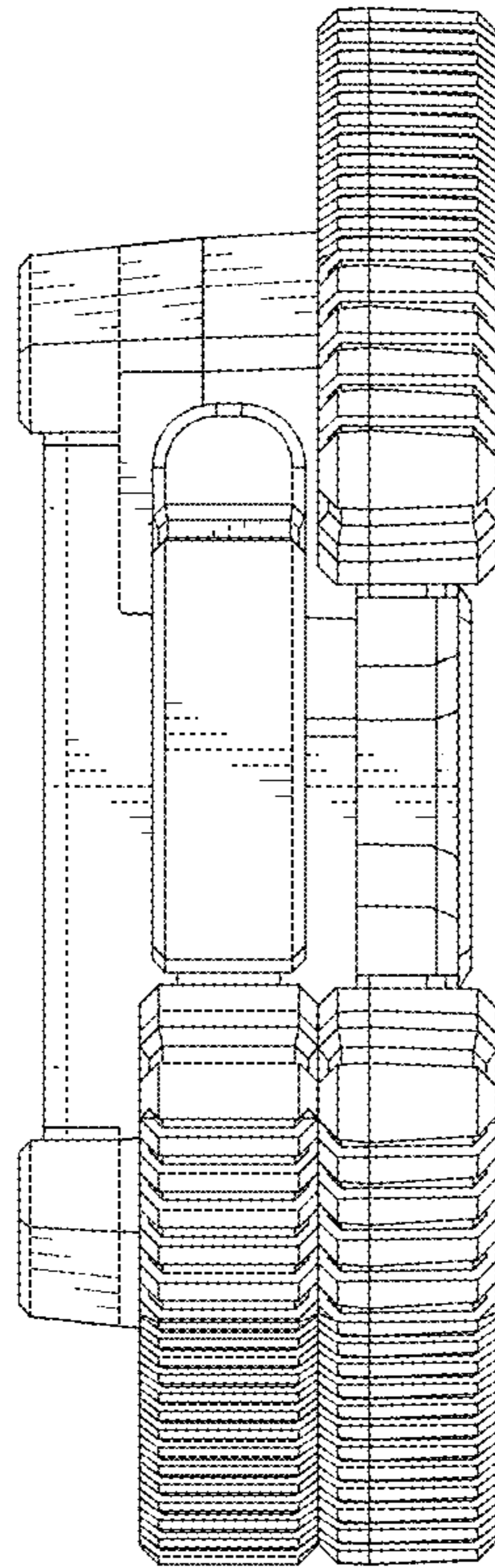


FIG.3

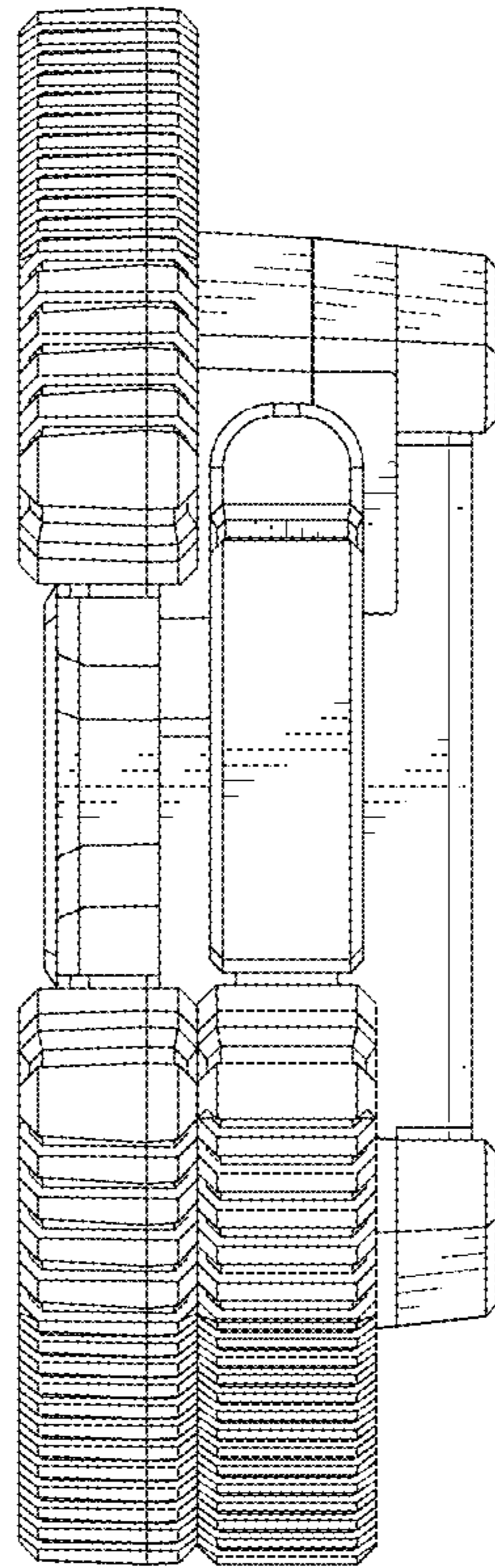


FIG.4

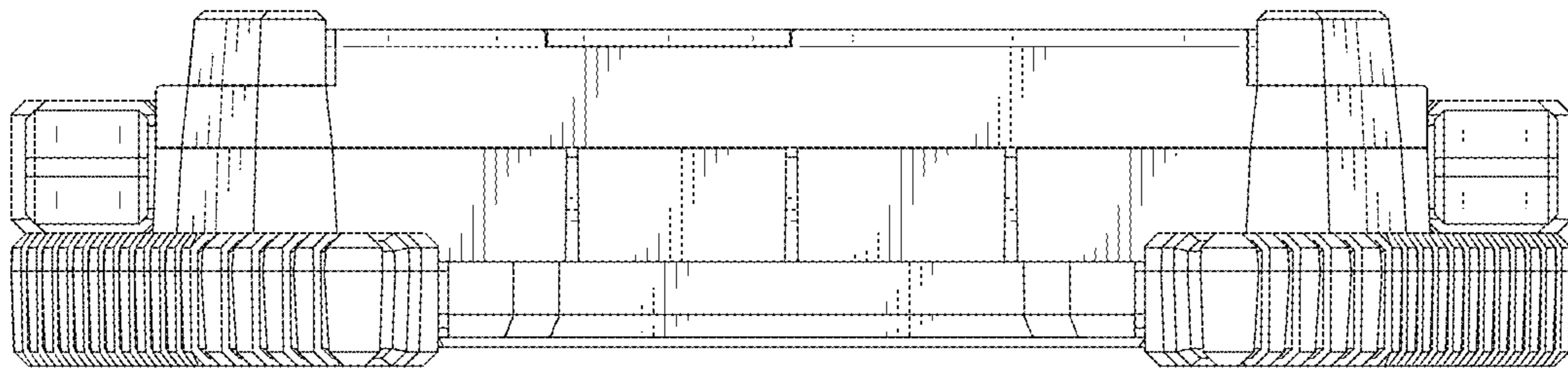


FIG.5

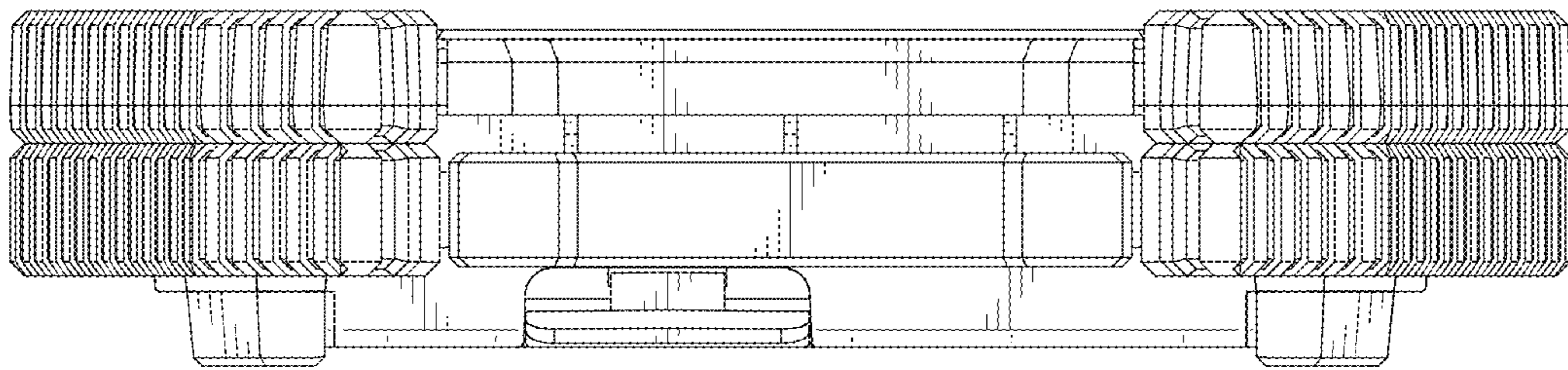


FIG.6



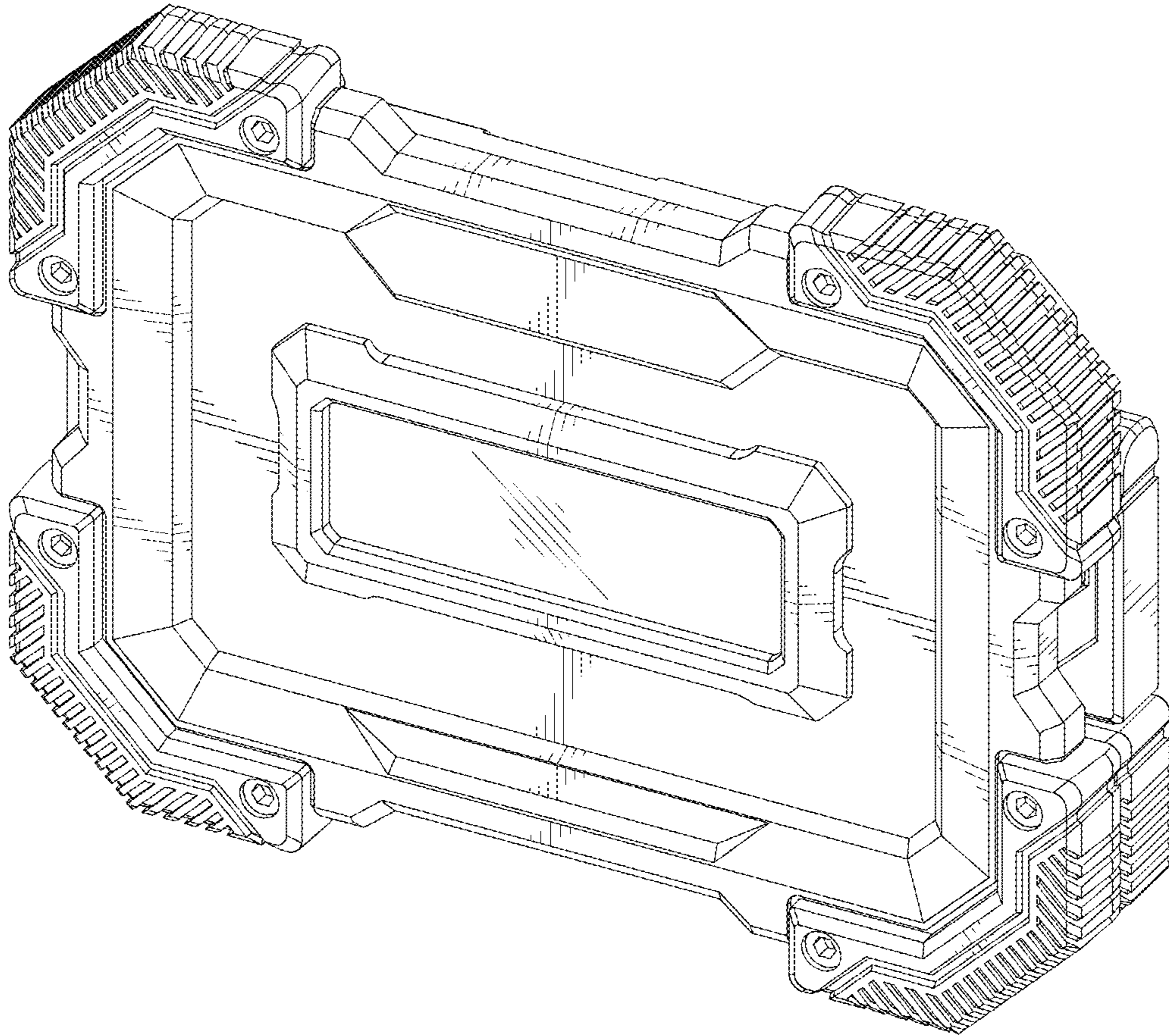


FIG.7

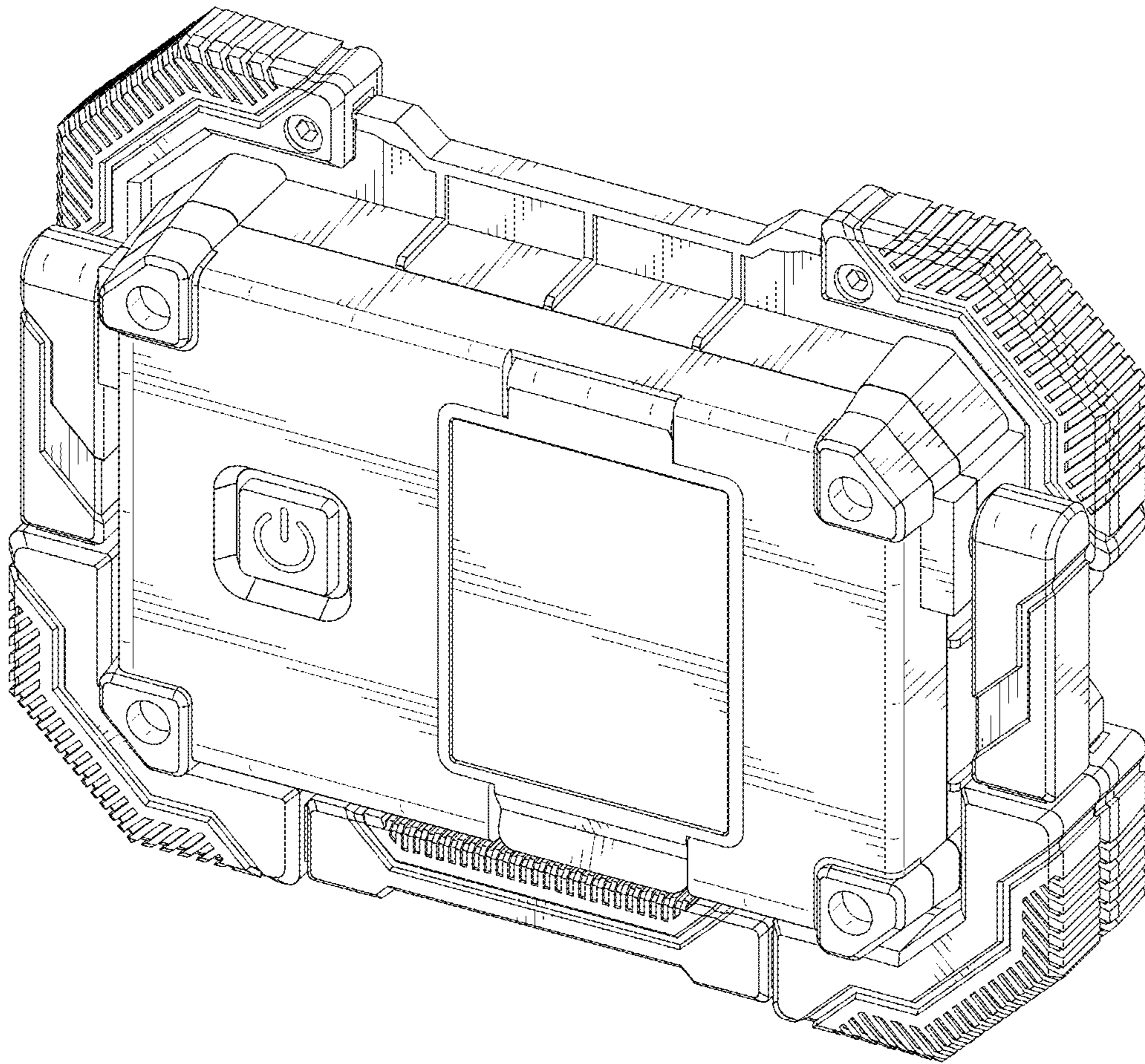


FIG.8

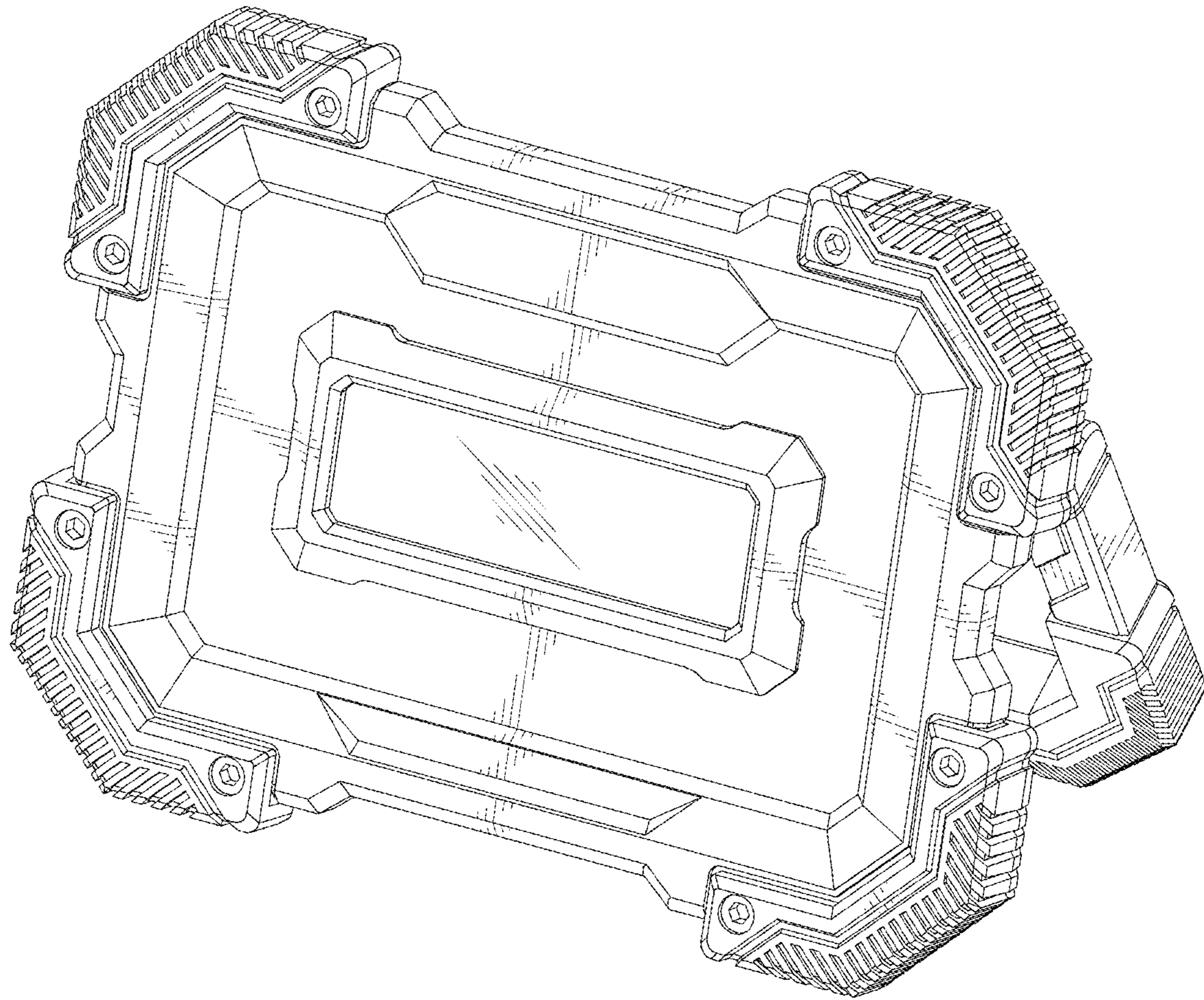


FIG.9

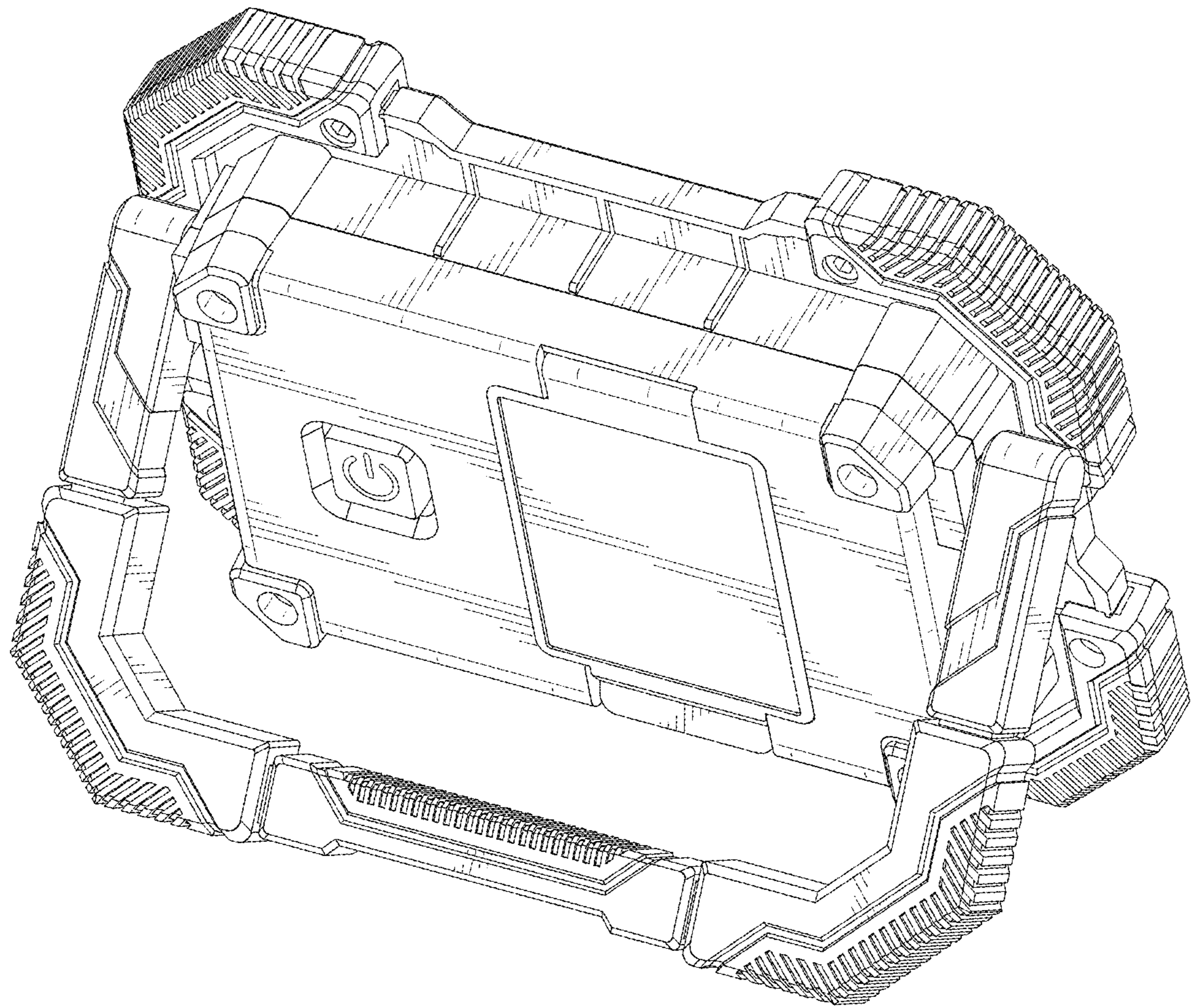


FIG.10

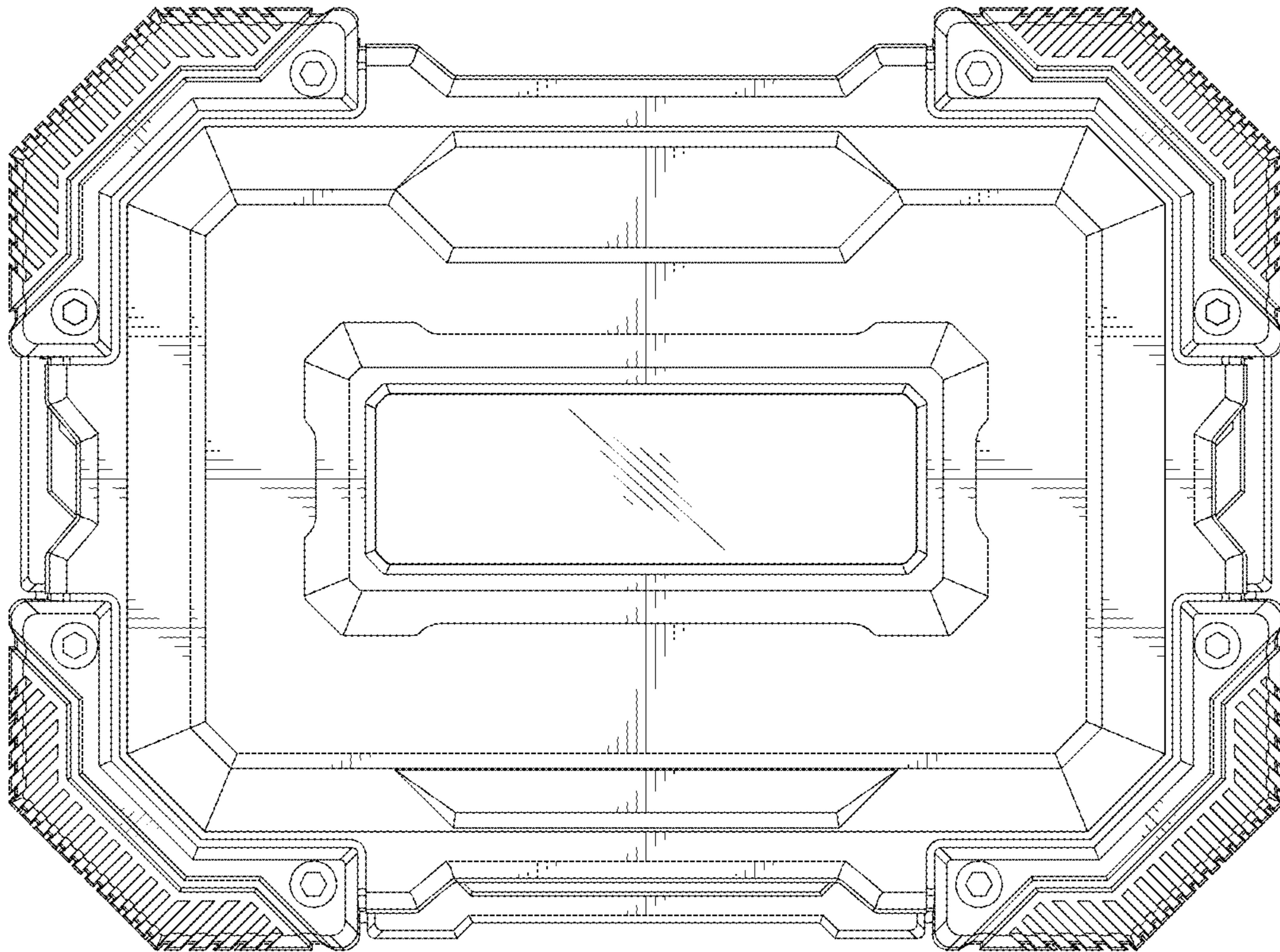


FIG.11

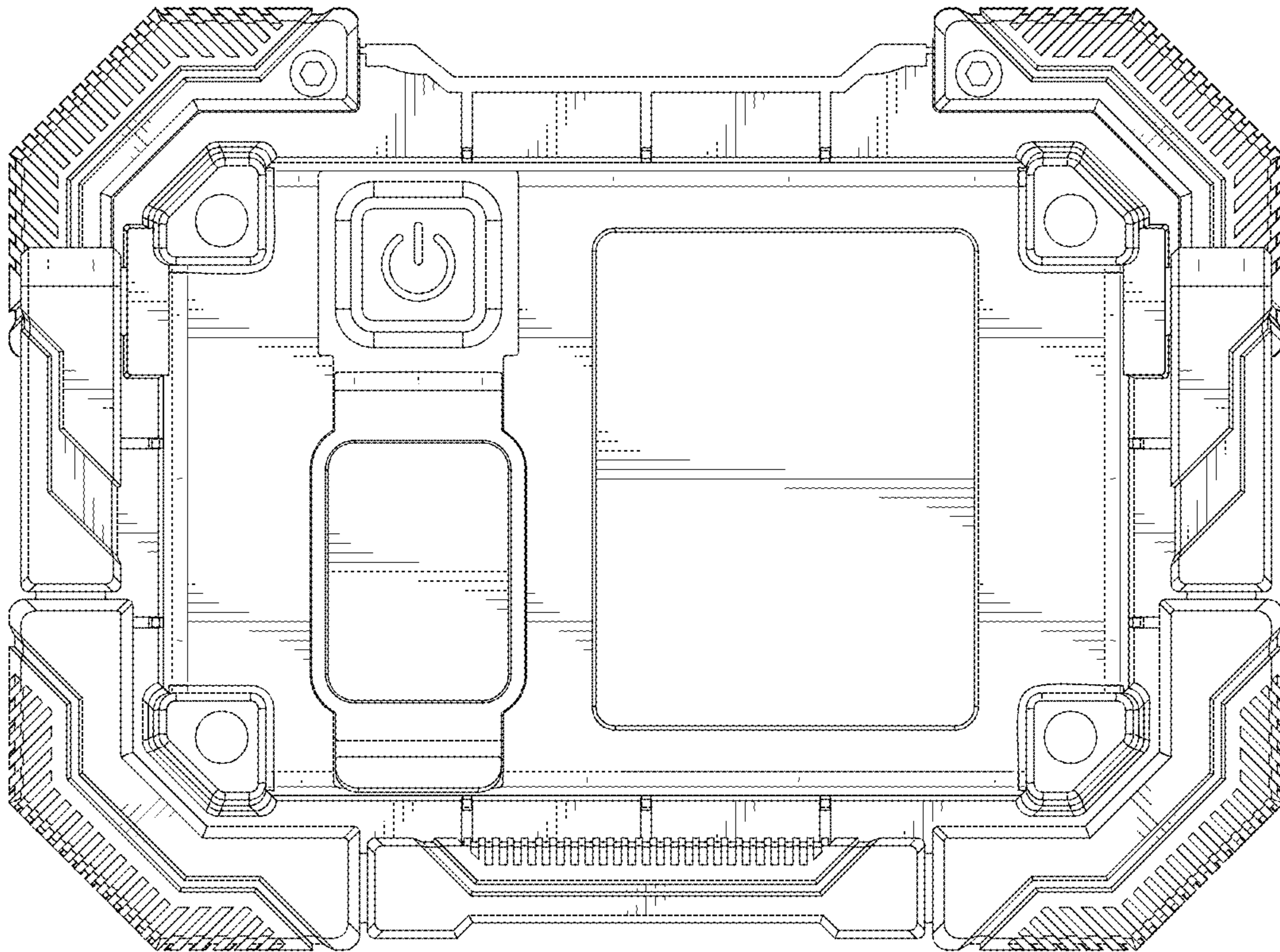


FIG.12

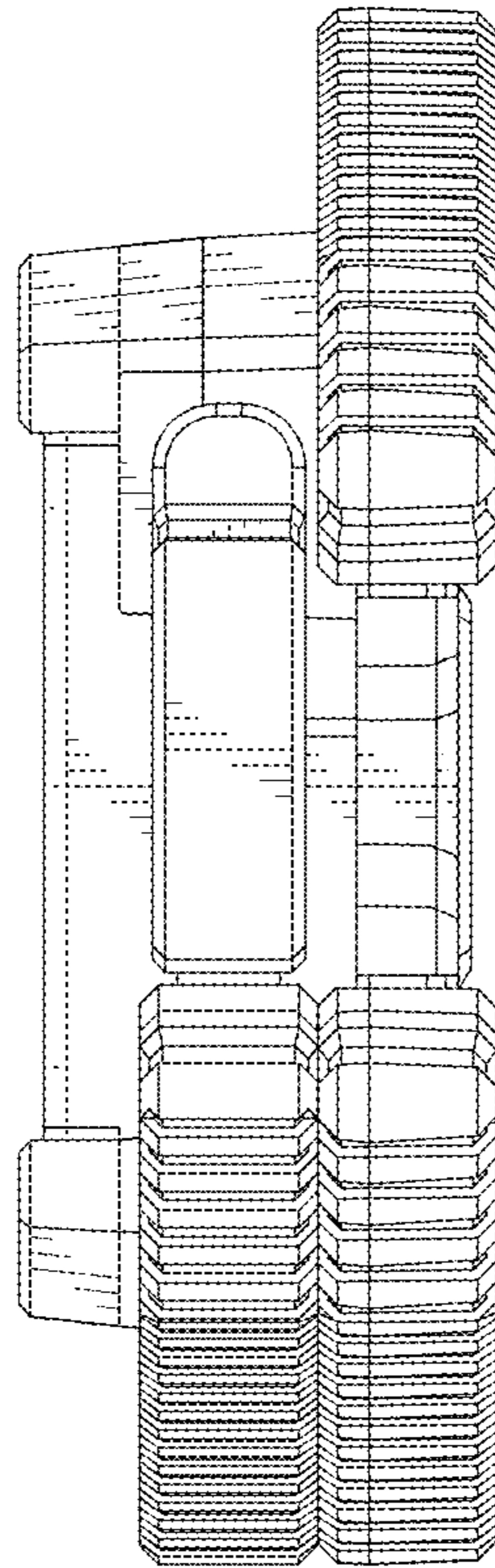


FIG.13

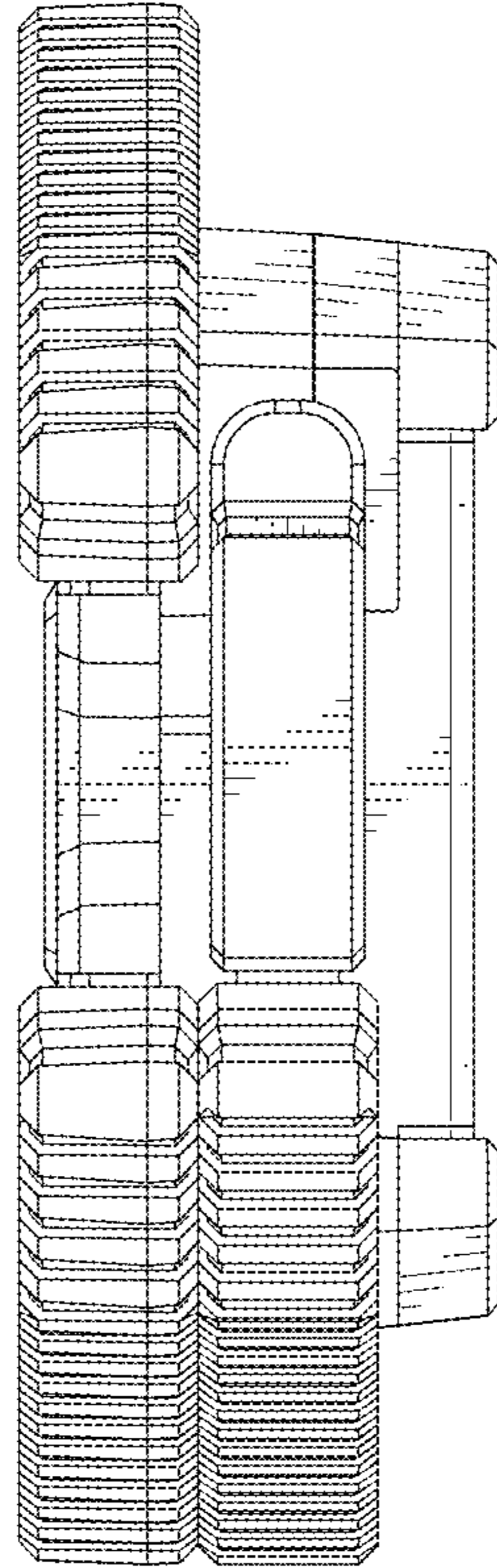


FIG.14



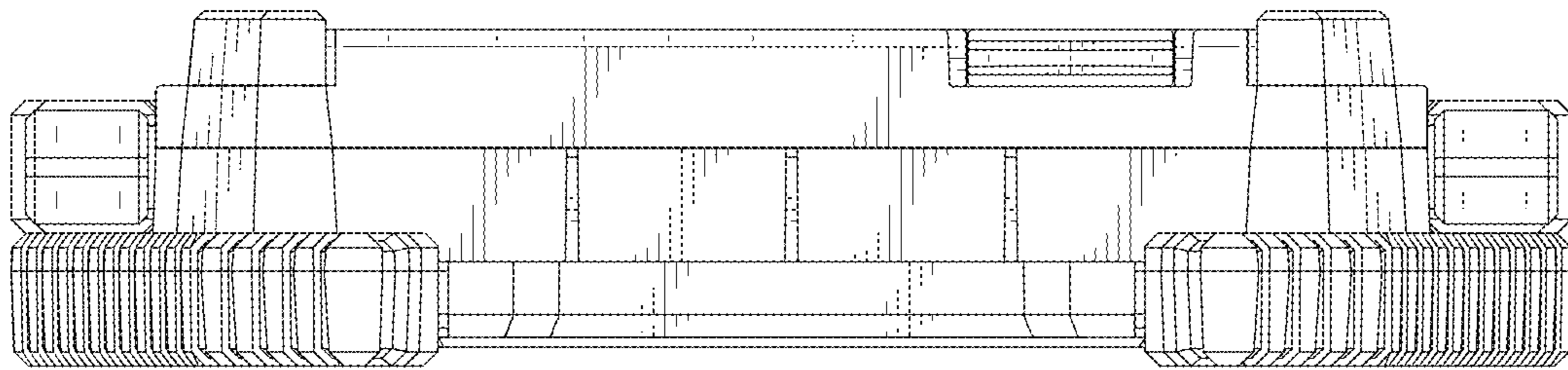


FIG.15

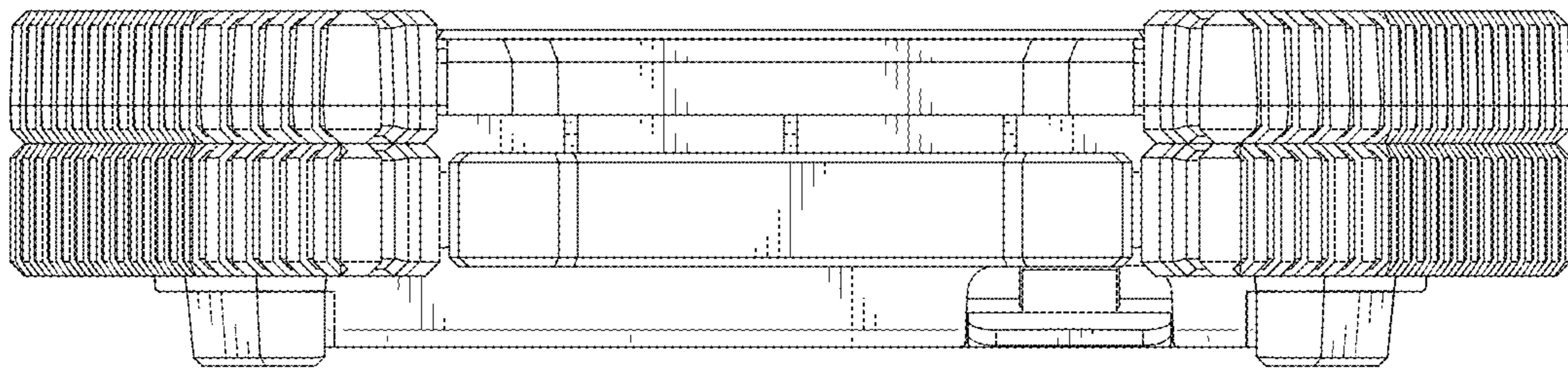


FIG.16

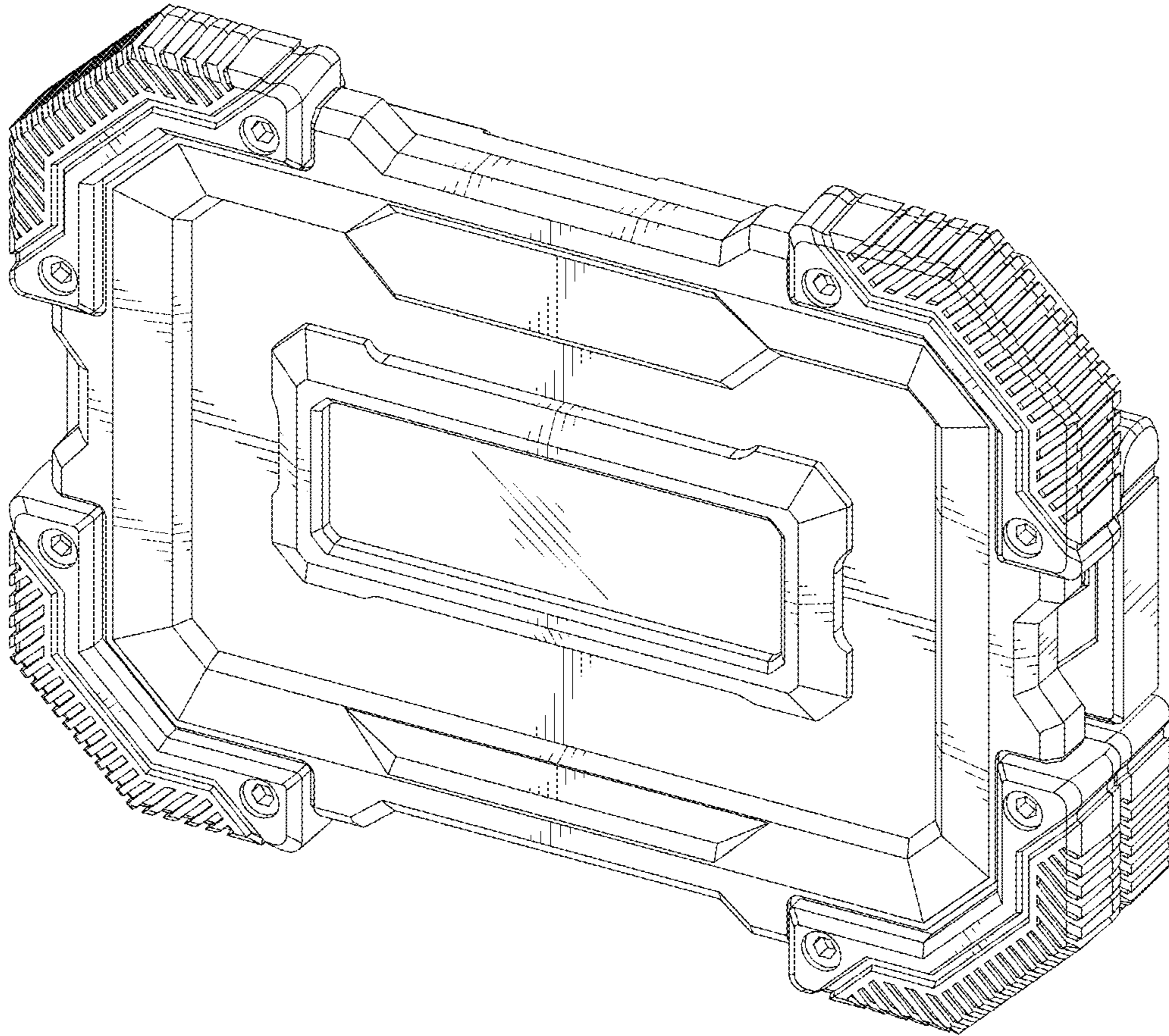


FIG.17

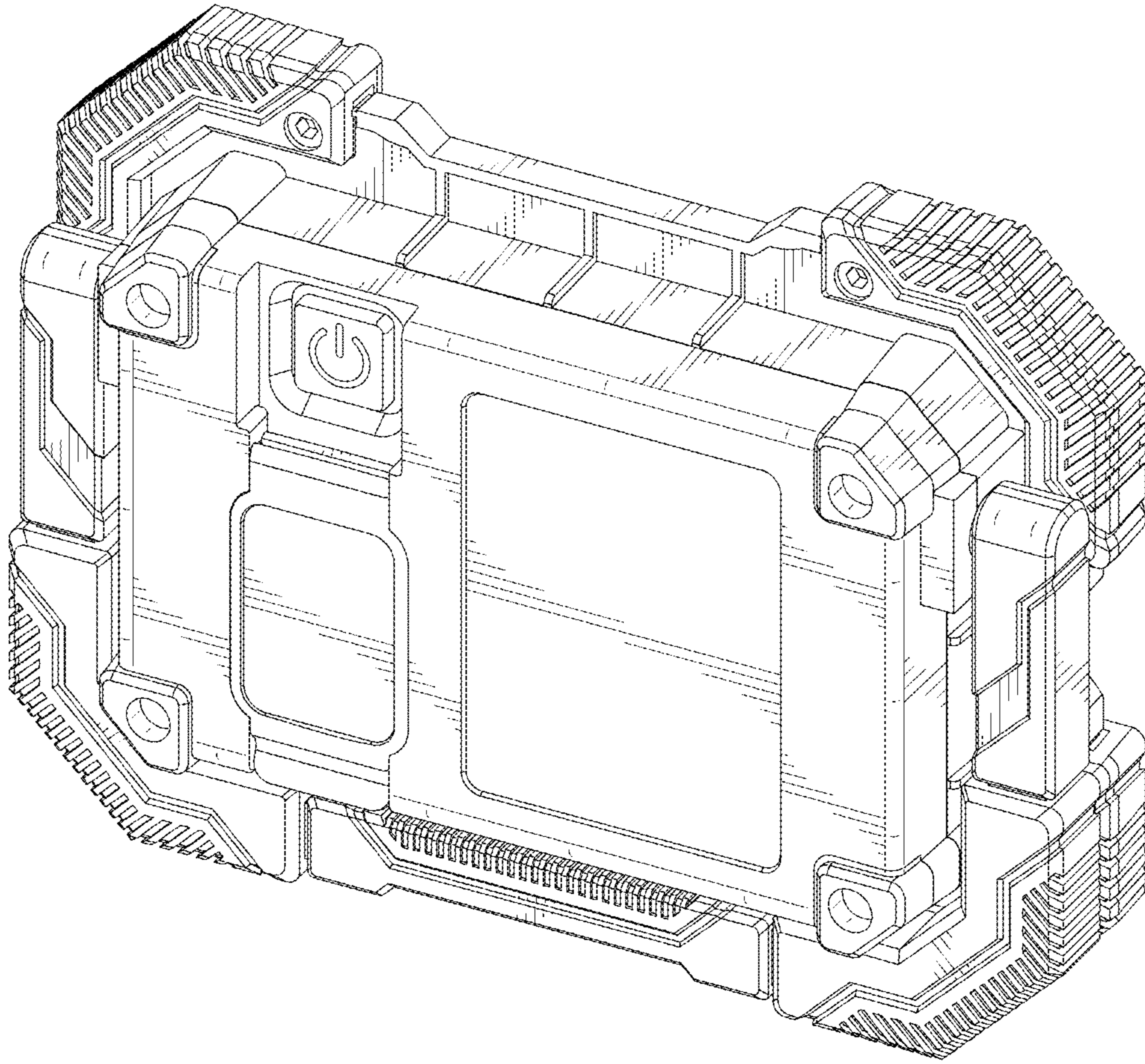


FIG.18

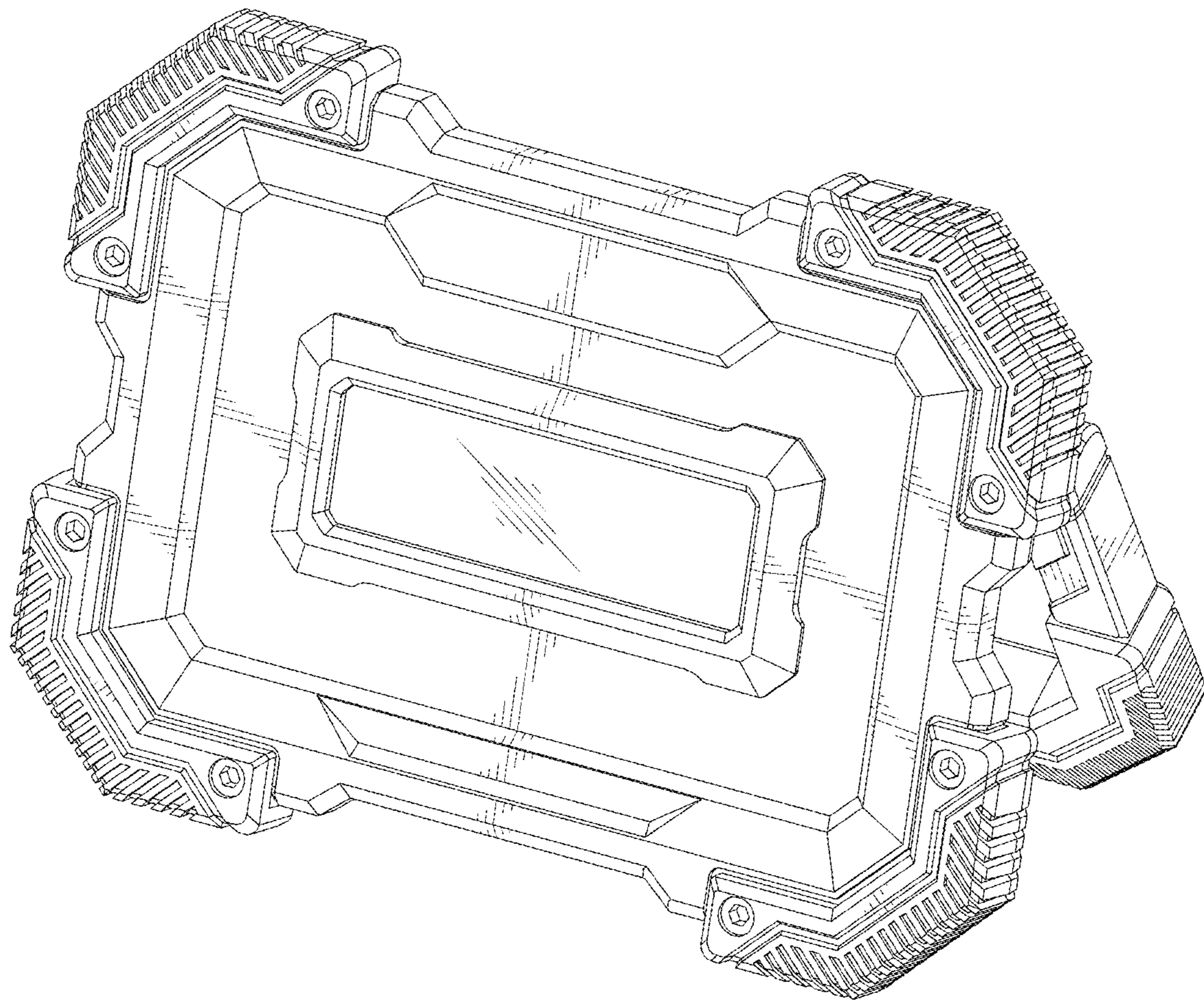


FIG.19

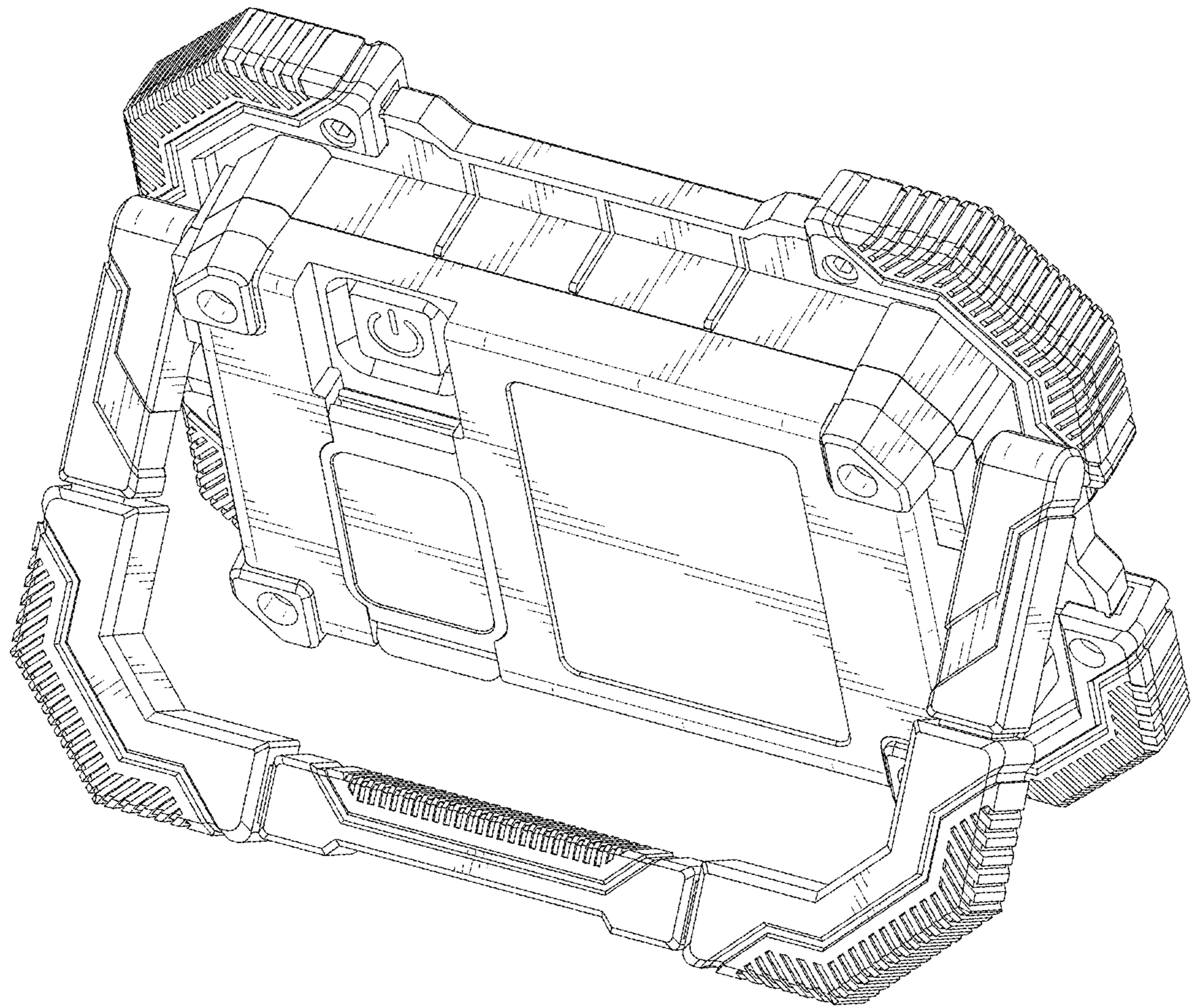


FIG.20