



US00D912866S

(12) **United States Design Patent**  
**Zhang**

(10) **Patent No.:** **US D912,866 S**

(45) **Date of Patent:** **\*\* Mar. 9, 2021**

(54) **BBQ GRILL LIGHT**

D783,188 S \* 4/2017 Espejo ..... D26/28  
D806,297 S \* 12/2017 Du ..... D26/60  
D883,528 S \* 5/2020 Zheng ..... D26/28

(71) Applicant: **Shenzhen City Yuyiyuan Technology Co., Ltd.**, Guangdong (CN)

(72) Inventor: **Donglin Zhang**, Guangdong (CN)

(\*\*) Term: **15 Years**

(21) Appl. No.: **29/671,125**

(22) Filed: **Nov. 23, 2018**

(51) **LOC (13) Cl.** ..... **26-05**

(52) **U.S. Cl.**  
USPC ..... **D26/60**

(58) **Field of Classification Search**  
USPC ..... D26/1, 24, 60, 61–62, 72, 93, 106, 118;  
D7/402  
CPC .... F21S 6/00; F21S 6/002; F21S 6/003; F21S  
6/004; F21S 6/005; F21S 6/006; F21S  
6/007; F21V 21/02; F21V 21/088; F21W  
2121/00; F21W 2131/30

See application file for complete search history.

(56) **References Cited**

**U.S. PATENT DOCUMENTS**

D366,711 S \* 1/1996 Clasby ..... D26/60  
D464,754 S \* 10/2002 Cavins ..... D26/60  
D498,550 S \* 11/2004 Chen ..... D26/28  
D536,467 S \* 2/2007 Geringer ..... D26/60  
D573,738 S \* 7/2008 Leen ..... D26/60  
D574,986 S \* 8/2008 Kumthampinij ..... D26/60  
D574,988 S \* 8/2008 Cheng ..... D26/63  
D579,718 S \* 11/2008 Borovicka ..... D7/402  
D595,086 S \* 6/2009 Borovicka ..... D26/24  
D597,237 S \* 7/2009 Kumthampinij ..... D26/28  
7,572,024 B2 \* 8/2009 Ko ..... A47J 37/0786  
126/213  
D619,751 S \* 7/2010 Zemel ..... D26/93  
7,810,967 B2 \* 10/2010 Ko ..... A47J 37/00  
248/228.6  
D642,312 S \* 7/2011 Rothman ..... D26/60  
D684,284 S \* 6/2013 Borovicka ..... D26/60

**OTHER PUBLICATIONS**

wppo.us: BBQ Light—Weather & Heat-Resistant LED BBQ Grill Light. Undated online product page. Retrieved on Dec. 23, 2020 from <https://www.wppo.us/products/durable-weather-heat-resistant-led-grill-light?currency=USD> (Year: 2020).\*  
alibaba.com: Bright BBQ Grill Light with 10 Super Bright LED Light for Grilling, Waterproof. Undated online product page. Retrieved on Dec. 23, 2020 from <https://www.alibaba.com/product-detail/Bright-BBQ-Grill-Light-with-10\_60639097611.html?mark=google\_shopping&seo=1> (Year: 2020).\*

(Continued)

*Primary Examiner* — Barbara Fox  
*Assistant Examiner* — Stacey L Hopkins  
(74) *Attorney, Agent, or Firm* — Prakash Nama; Global IP Services, PLLC

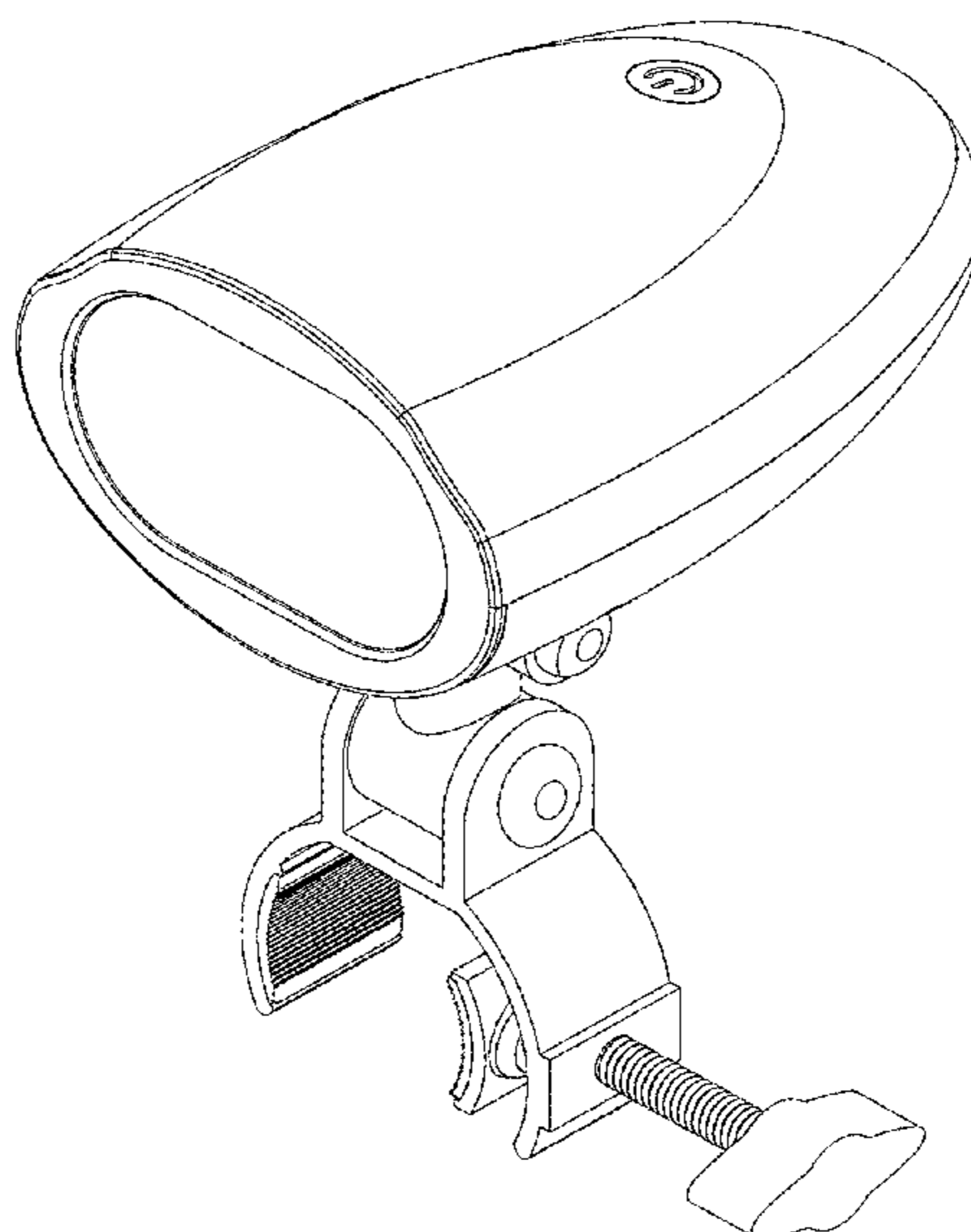
(57) **CLAIM**

The ornamental design for a BBQ grill light, as shown and described.

**DESCRIPTION**

FIG. 1 is a front elevational view of a BBQ grill light showing my new design;  
FIG. 2 is a rear elevational view thereof;  
FIG. 3 is a left side view thereof;  
FIG. 4 is a right side view thereof;  
FIG. 5 is a top plan view thereof;  
FIG. 6 is a bottom plan view thereof; and,  
FIG. 7 is a perspective view thereof.  
The broken lines shown in BBQ grill light form no part of the claimed design.

**1 Claim, 7 Drawing Sheets**



(56)

**References Cited**

OTHER PUBLICATIONS

amazon.com: Zeust Sirius 1.0 Barbecue Grill Light. Undated online product page (oldest review May 11, 2014). Retrieved on Dec. 23, 2020 from <[https://www.amazon.com/Zeust-Barbecue-Grill-Light-Resistant/dp/B00IR99G7Y/ref=sr\\_1\\_1\\_sspa?crid=33BO8736NHWIF&dchild= . . .](https://www.amazon.com/Zeust-Barbecue-Grill-Light-Resistant/dp/B00IR99G7Y/ref=sr_1_1_sspa?crid=33BO8736NHWIF&dchild=...)> (Year: 2020).\*

\* cited by examiner

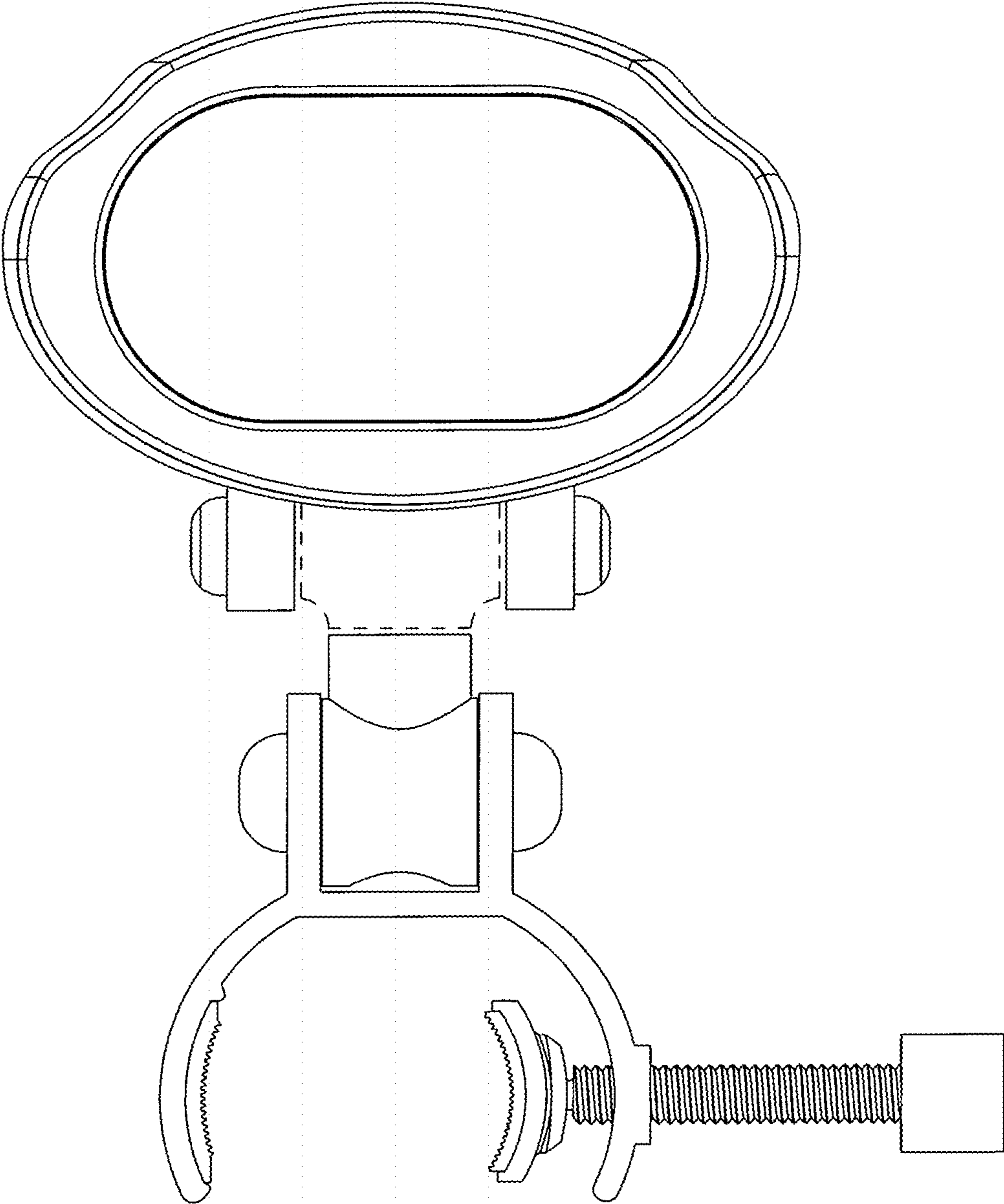


FIG. 1

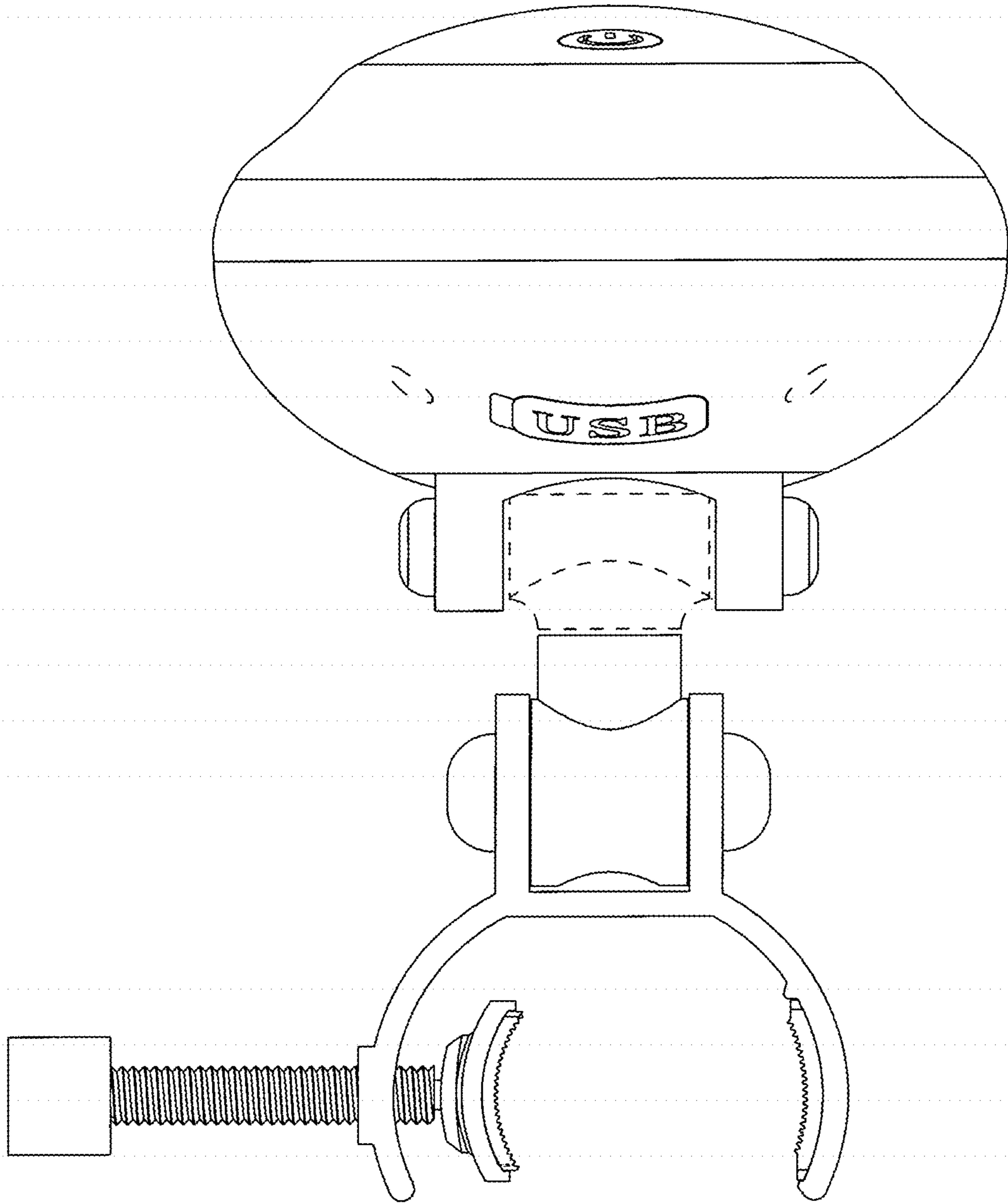


FIG. 2

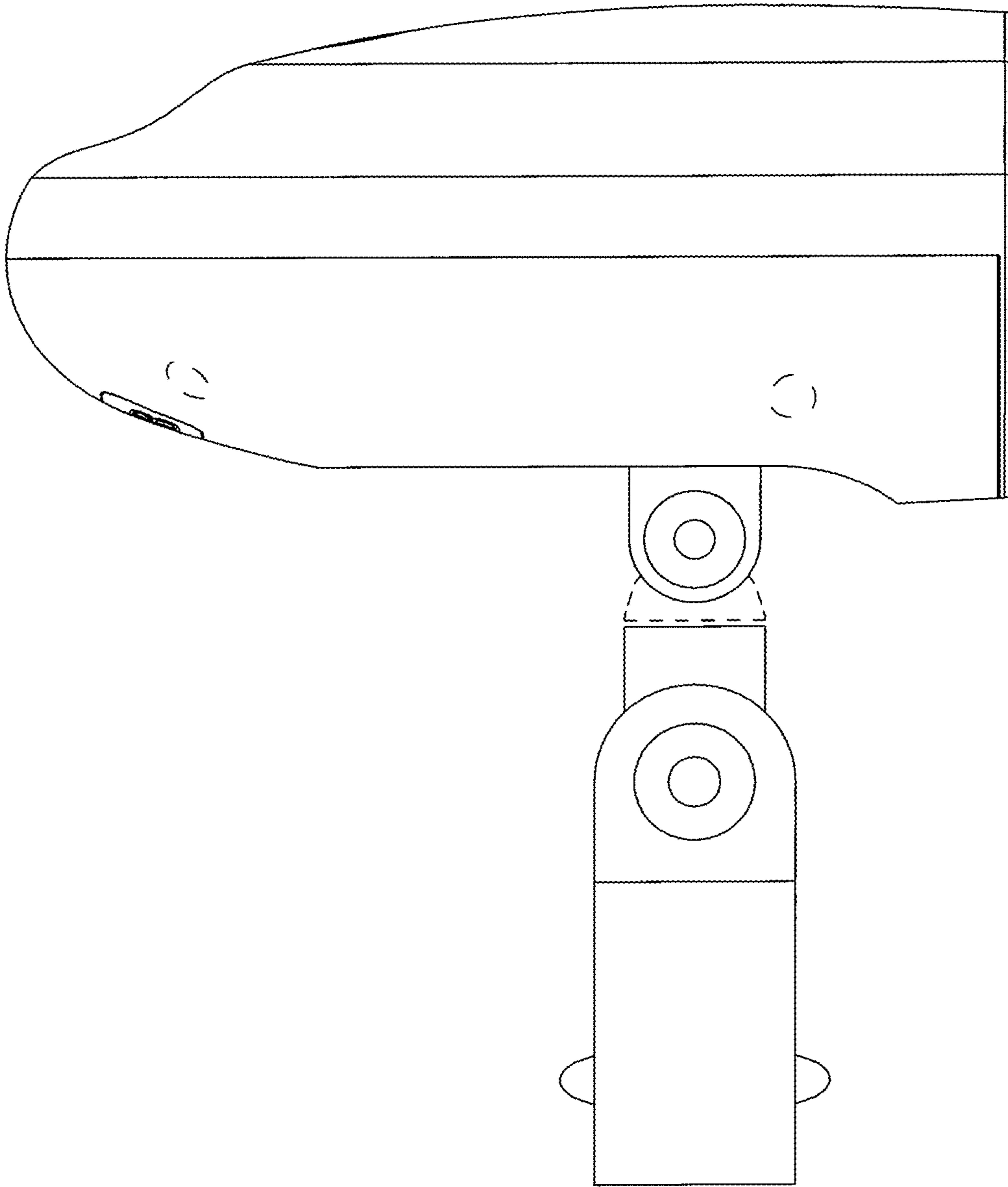


FIG. 3

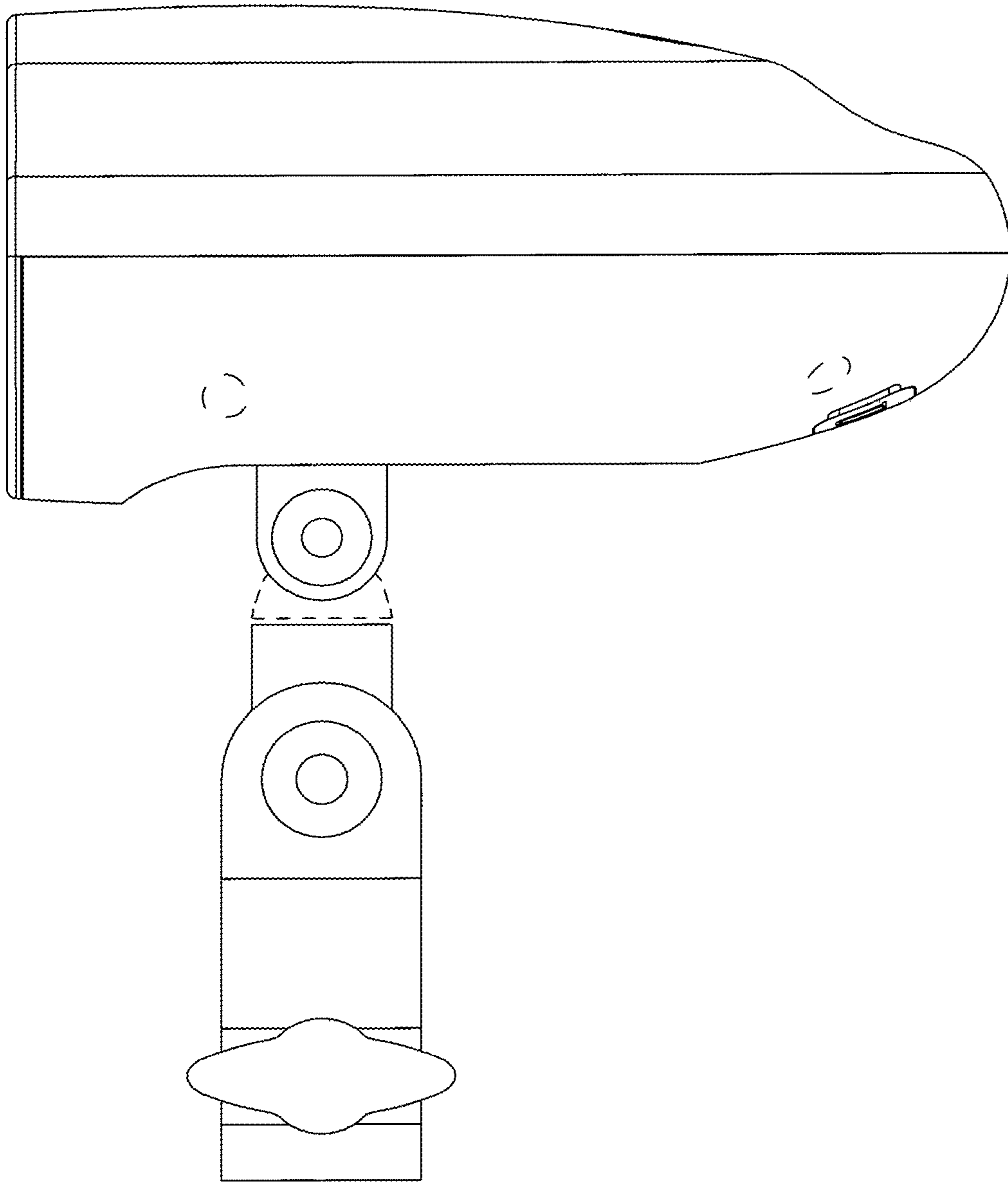


FIG. 4

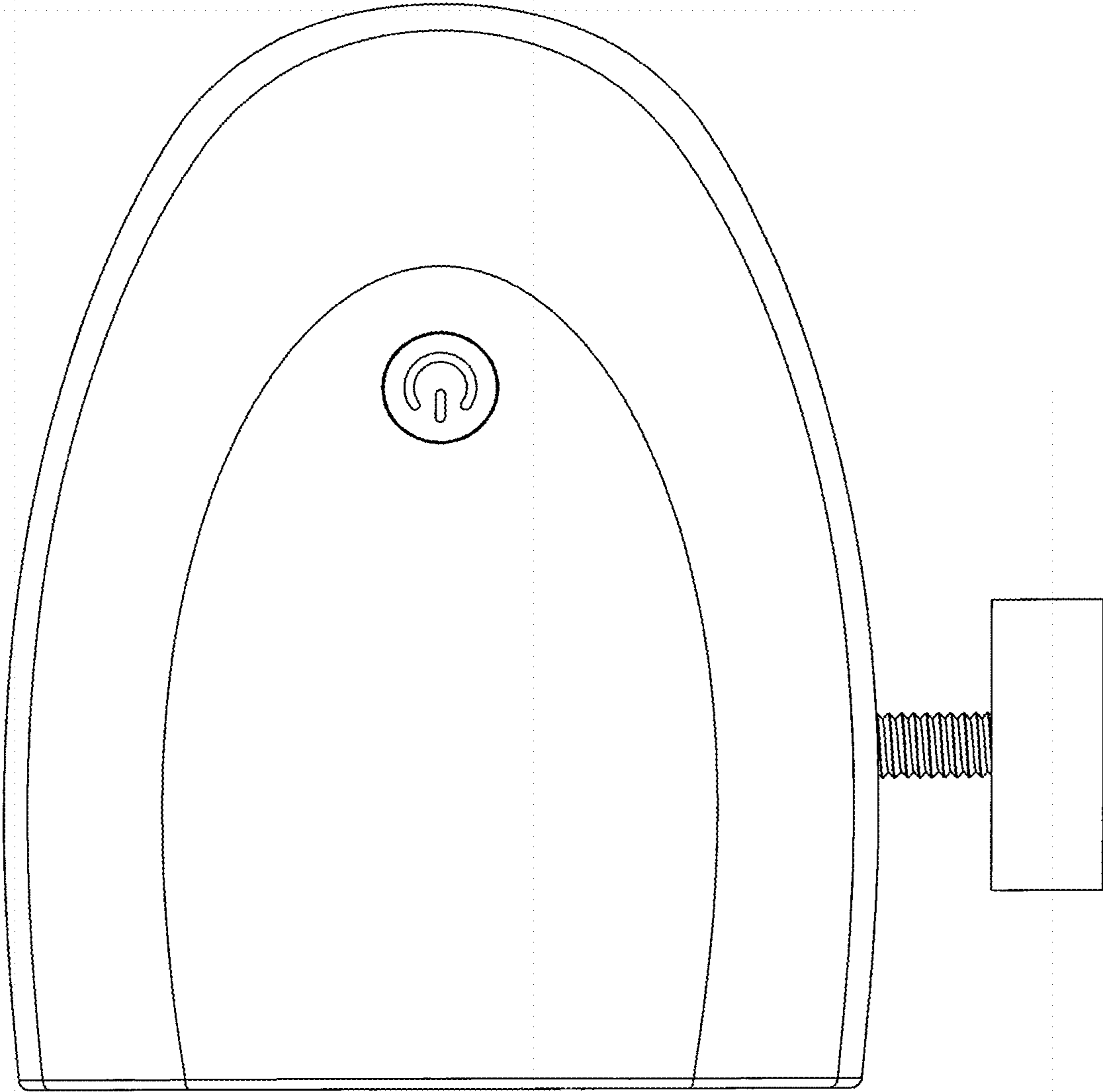


FIG. 5

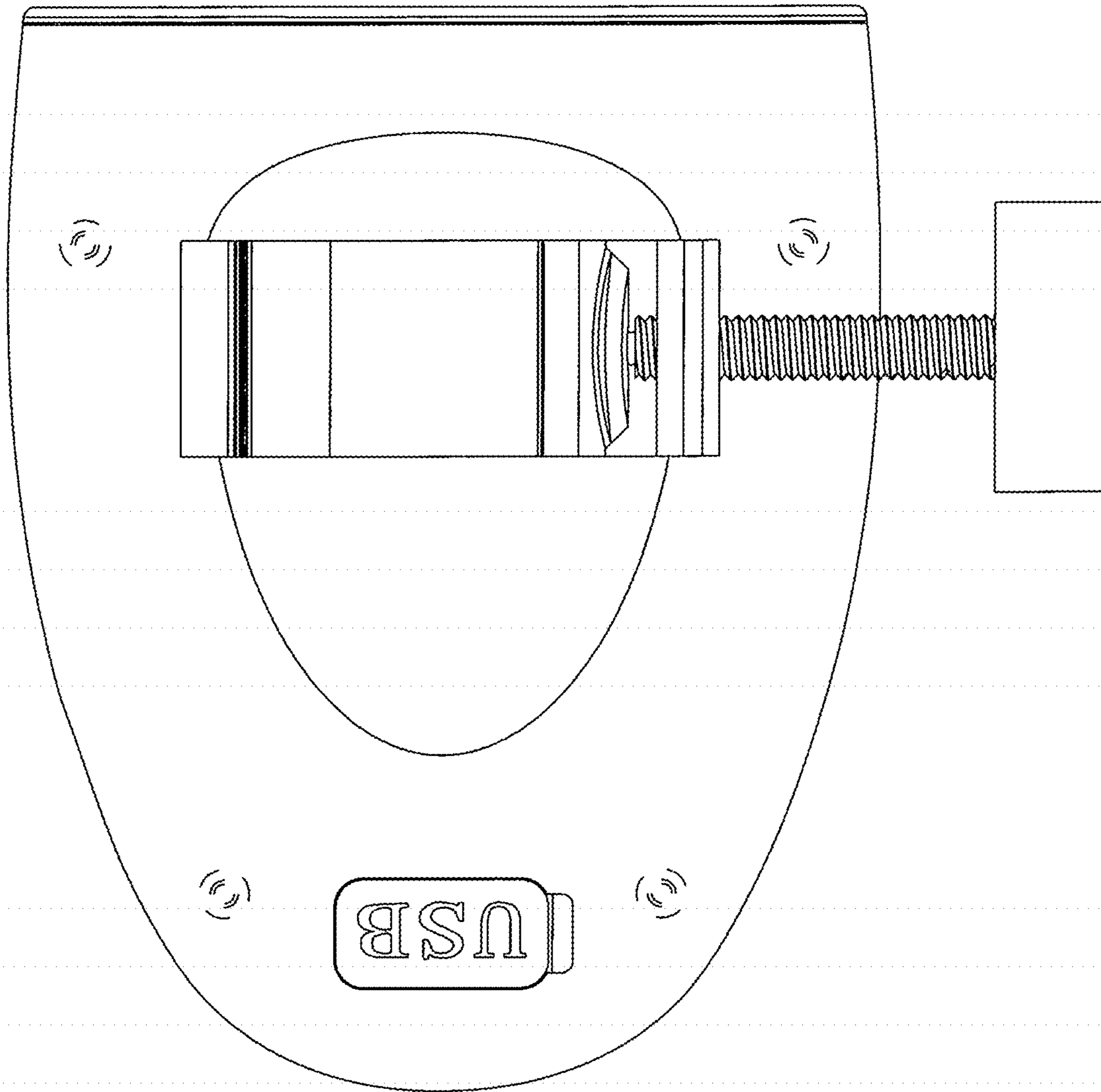


FIG. 6



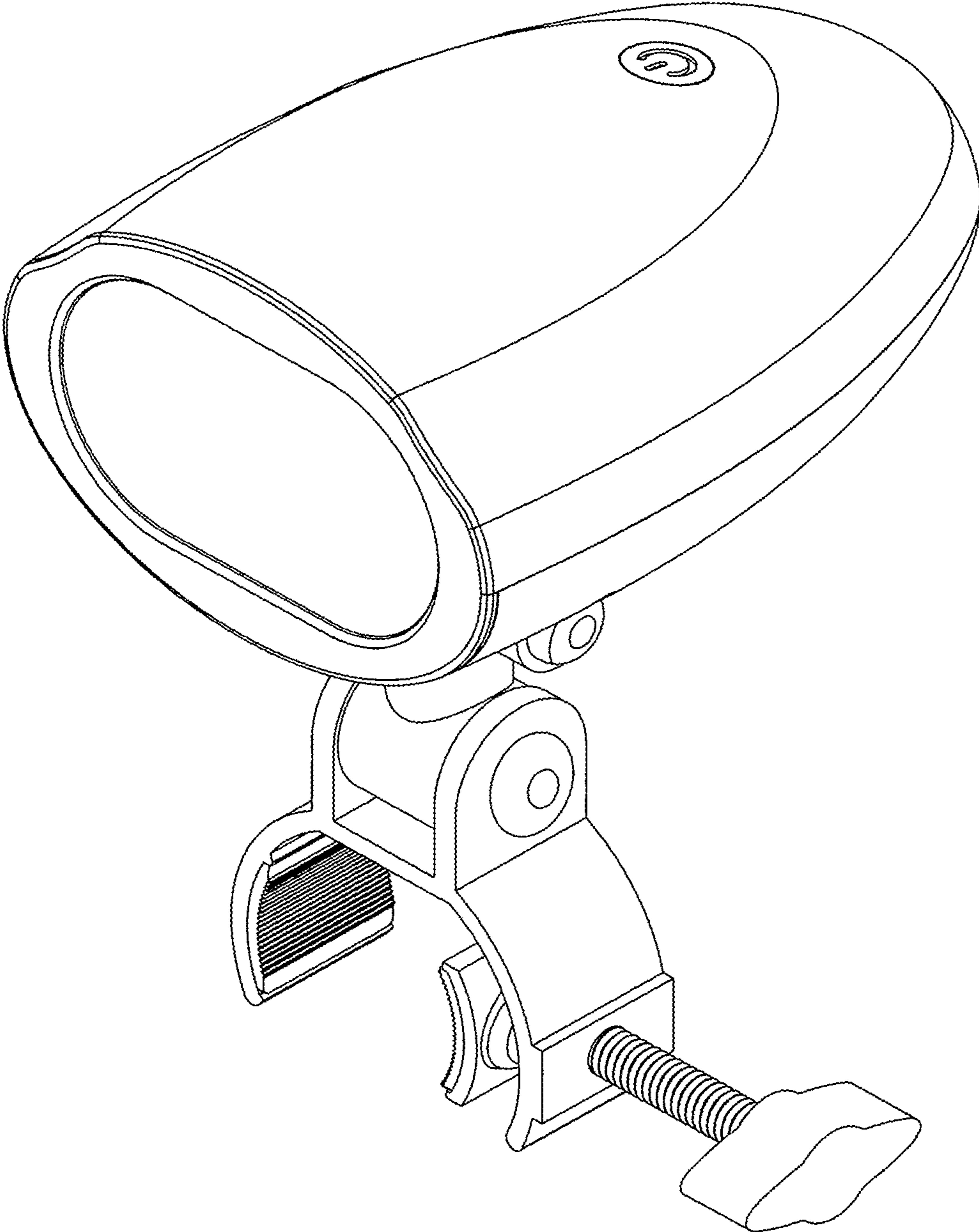


FIG. 7