



US00D912865S

(12) **United States Design Patent**
Wu

(10) **Patent No.:** **US D912,865 S**
(45) **Date of Patent:** **** Mar. 9, 2021**

(54) **VEHICLE LIGHT**
(71) Applicant: **COPLUS INC.**, Tainan (TW)
(72) Inventor: **Po-Hua Wu**, Tainan (TW)
(73) Assignee: **Coplus Inc.**, Tainan (TW)
(**) Term: **15 Years**
(21) Appl. No.: **29/722,961**

D822,239 S *	7/2018	Lin	D26/28
D849,284 S *	5/2019	Lin	D26/28
D850,678 S *	6/2019	Lin	D26/28
D851,794 S *	6/2019	Lin	D26/28
D857,257 S *	8/2019	Lin	D26/28
D866,824 S *	11/2019	Lin	D26/28
D871,624 S *	12/2019	Lin	D26/28
D874,033 S *	1/2020	Park Cheng	D26/28
D874,034 S *	1/2020	Schmeckpeper	D26/28
D892,369 S *	8/2020	Lin	D26/28
D896,414 S *	9/2020	Lin	D26/28

(22) Filed: **Feb. 3, 2020**

(30) **Foreign Application Priority Data**

Nov. 22, 2019 (TW) 108307162

(51) **LOC (13) Cl.** **26-06**

(52) **U.S. Cl.**
USPC **D26/28**

(58) **Field of Classification Search**

USPC D26/28, 29, 30, 31, 32, 33, 34, 35, 36
CPC F21S 48/00; F21S 48/10; F21S 48/115;
F21S 48/225; F21S 48/1233; F21S
48/1266; F21S 48/1388; F21S 48/2268;
F21V 21/04; F21W 2103/35; F21W 3/40;
F21W 2102/17; F21W 2102/30; F21W
2103/00; F21W 2103/55; F21W 2104/00;
F21W 2107/17; F21W 2107/13

See application file for complete search history.

(56) **References Cited**

U.S. PATENT DOCUMENTS

D637,327 S * 5/2011 Yang D26/28
D792,618 S * 7/2017 Wu D26/28

* cited by examiner

Primary Examiner — Angela J Lee

(74) *Attorney, Agent, or Firm* — Lewis Roca Rothger
Christie LLP

(57) **CLAIM**

The ornamental design for a vehicle light, as shown and described.

DESCRIPTION

FIG. 1 is a perspective view of the vehicle light;
FIG. 2 is a front view thereof;
FIG. 3 is a rear view thereof;
FIG. 4 is a left side view thereof;
FIG. 5 is a right side view thereof;
FIG. 6 is a top view thereof; and,
FIG. 7 is a bottom view thereof.

The broken lines in the drawings depict portions of the article that form no part of the claimed design.

1 Claim, 6 Drawing Sheets

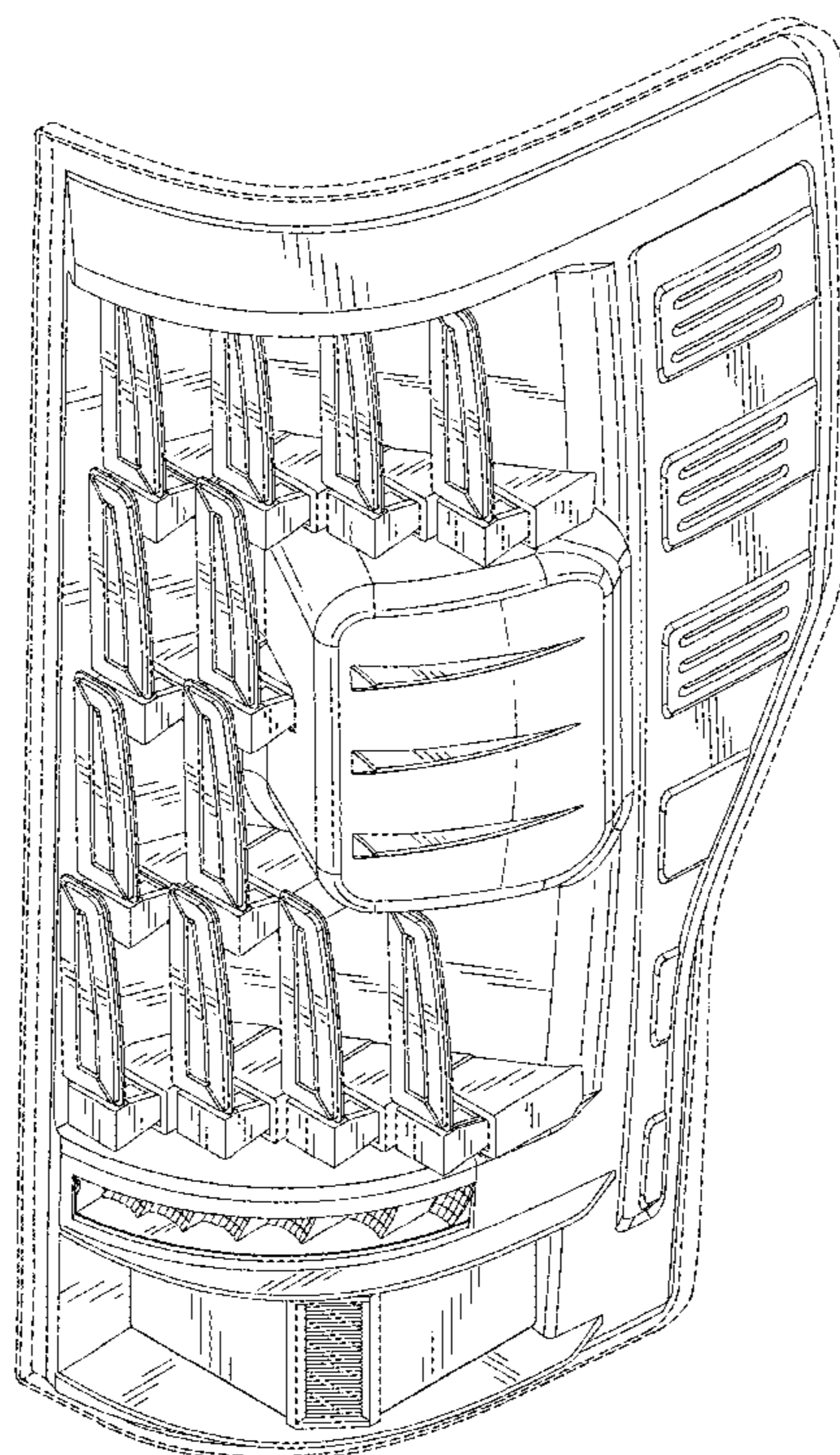


FIG. 1

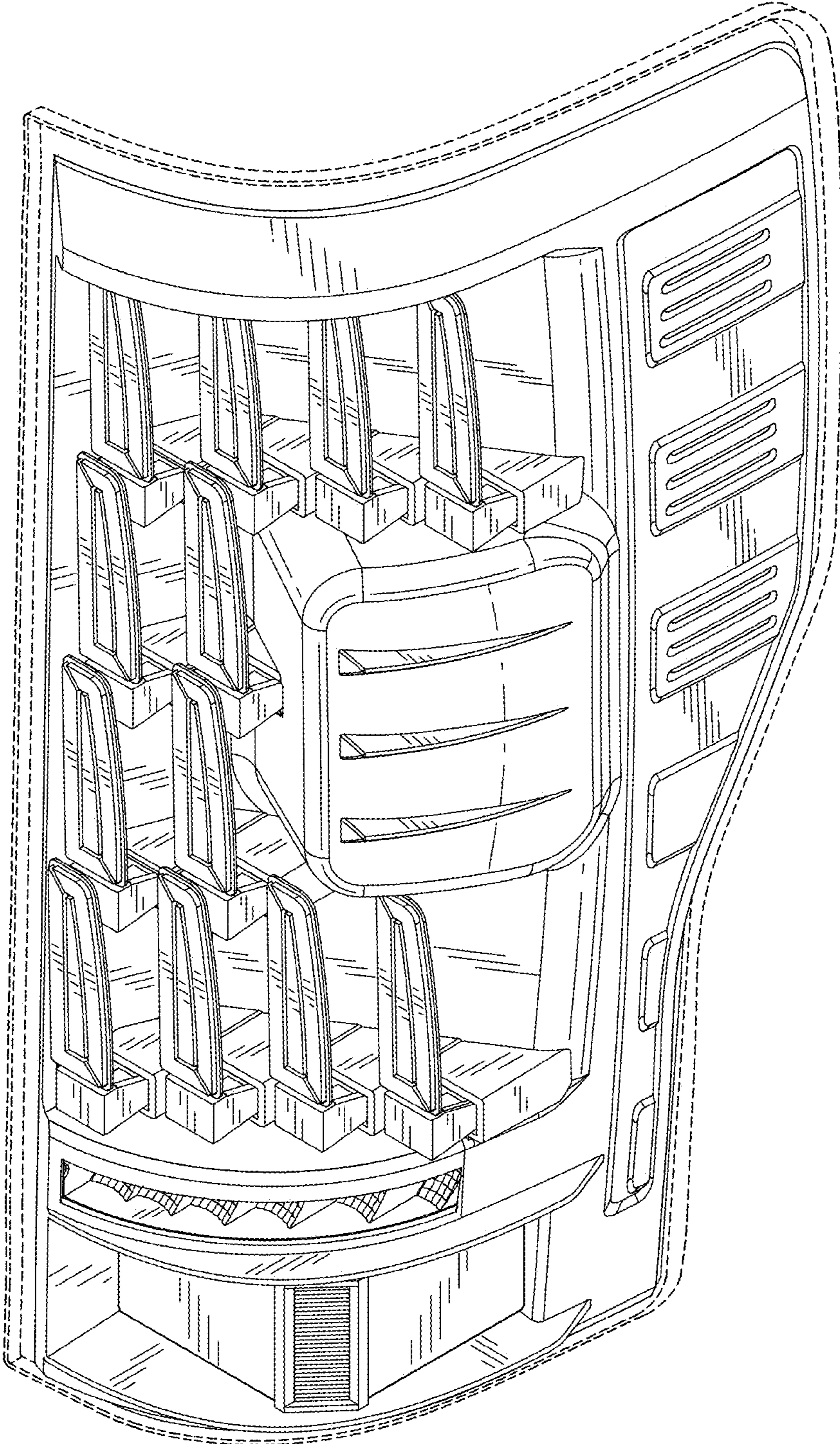


FIG. 2

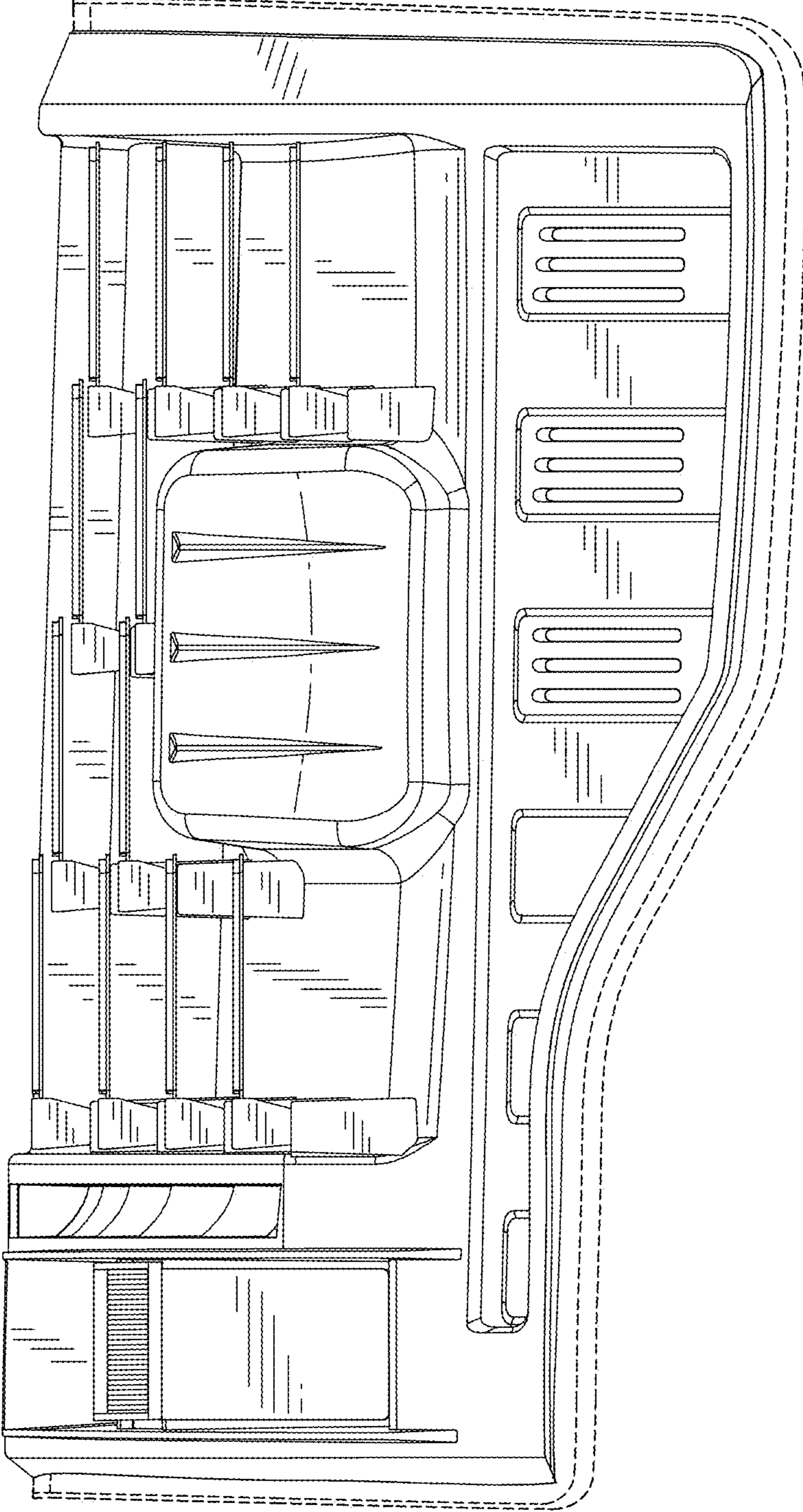
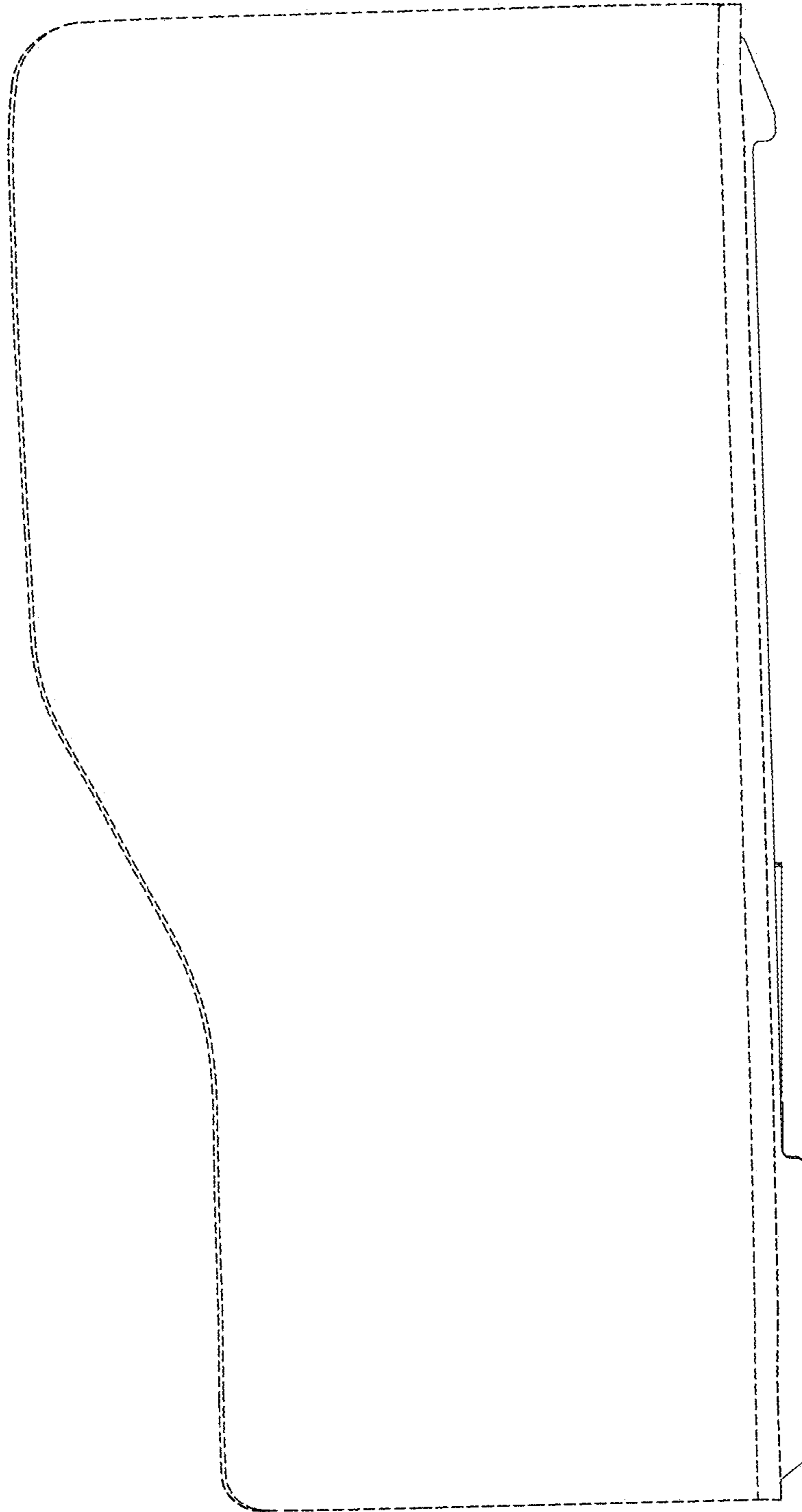


FIG. 3



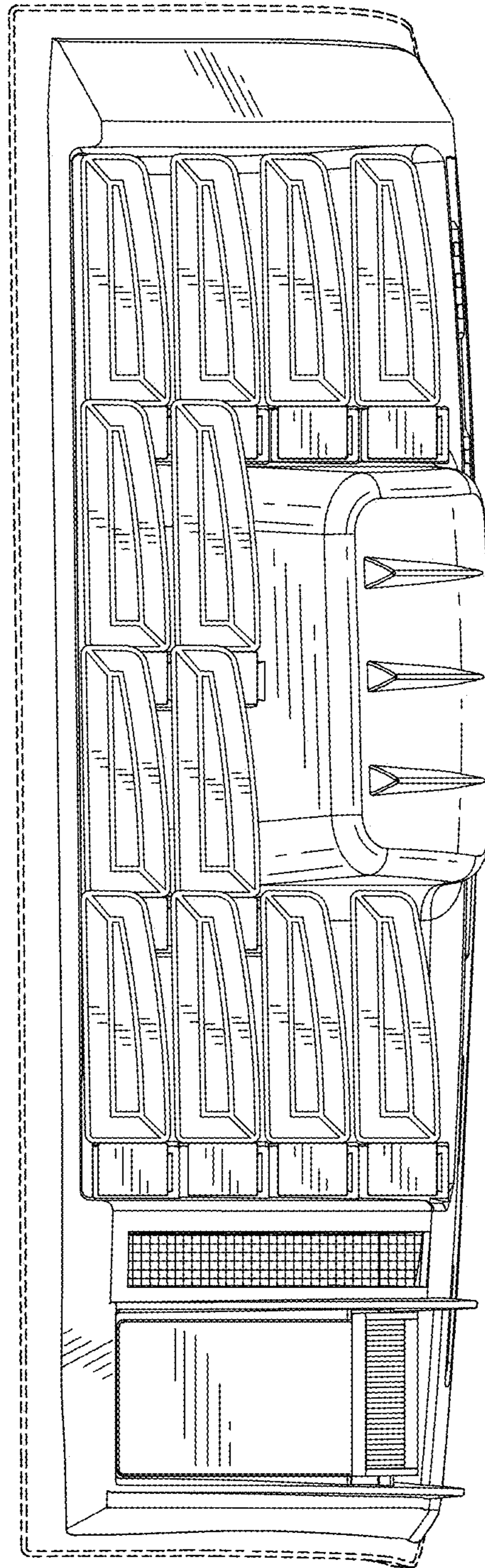


FIG. 4

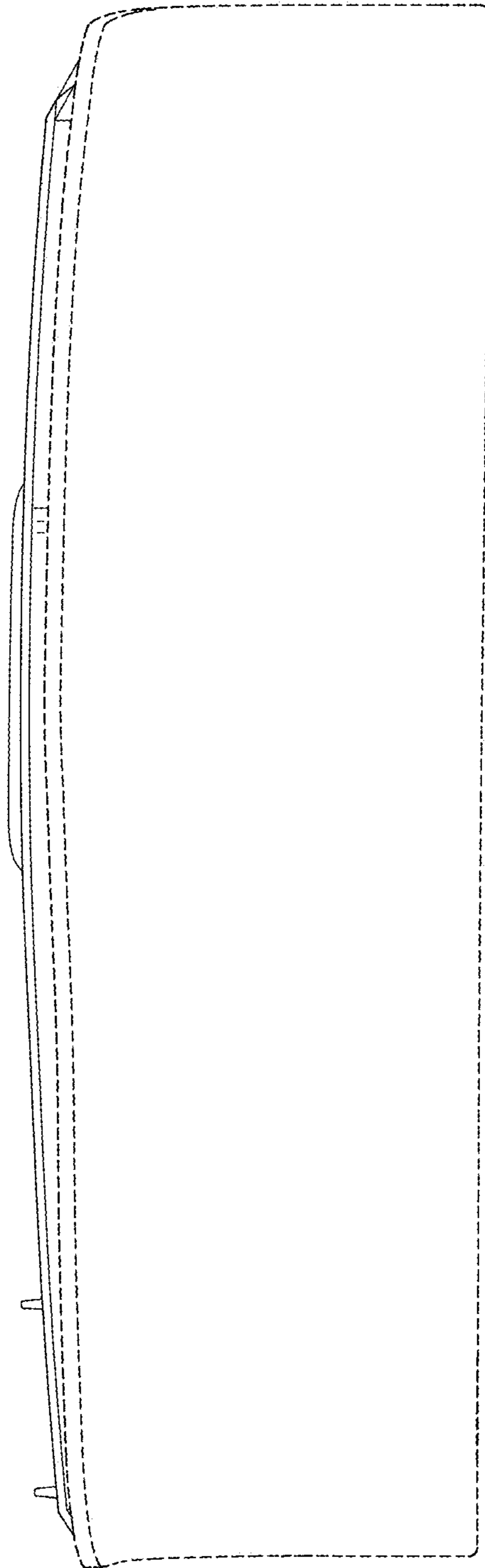


FIG. 5

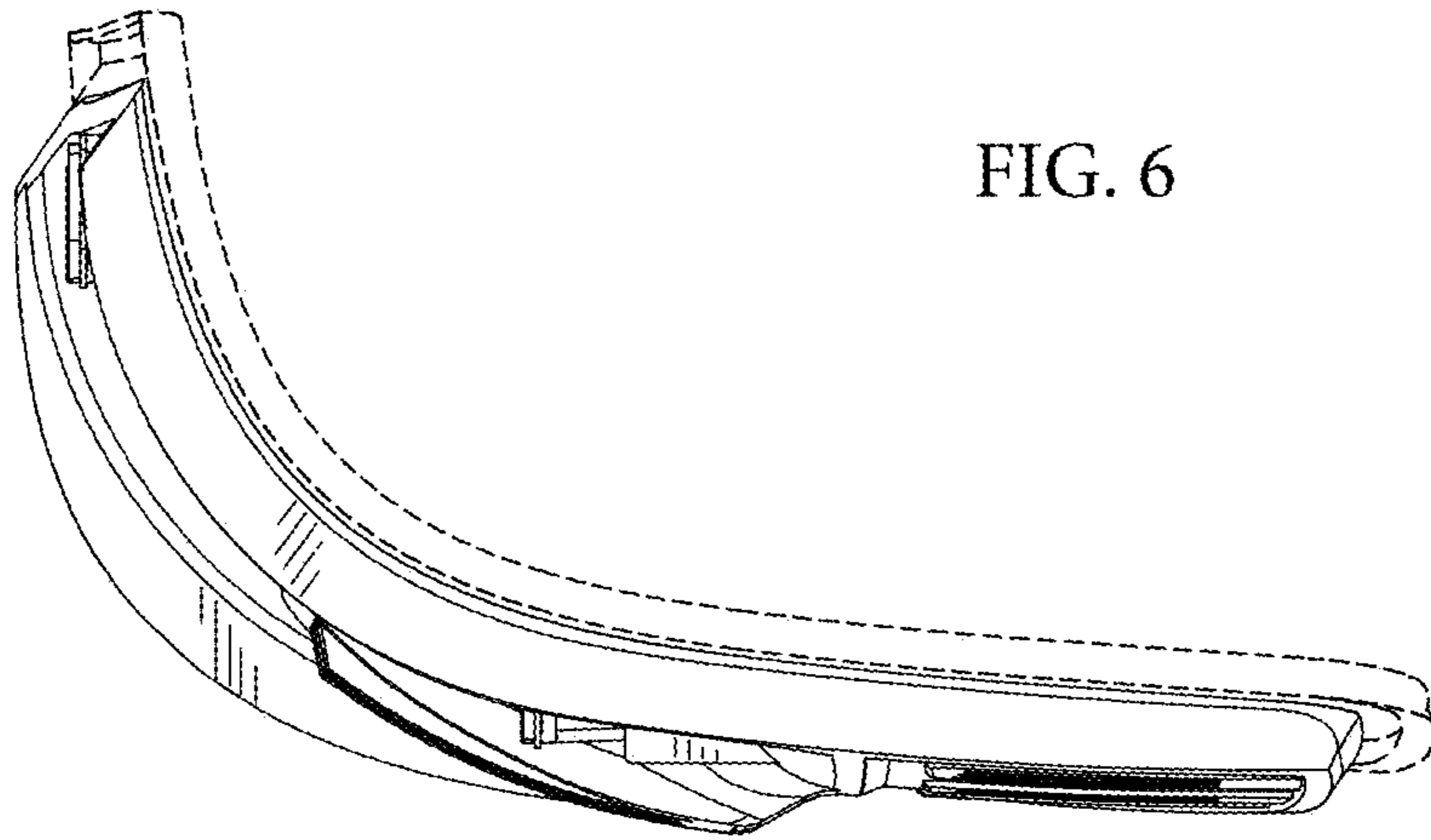


FIG. 6

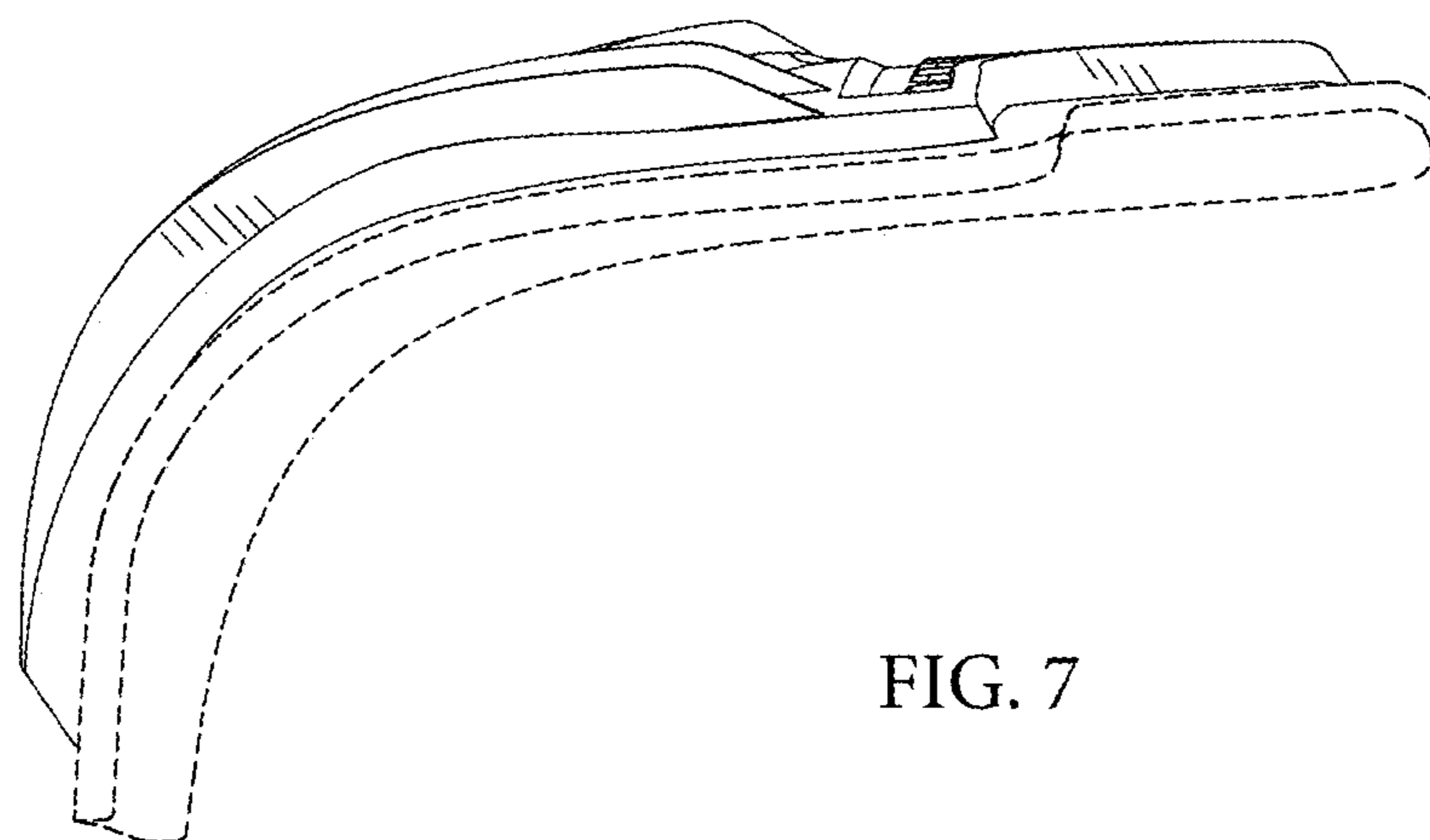


FIG. 7