



US00D912864S

(12) **United States Design Patent**
Wu

(10) **Patent No.:** **US D912,864 S**
(45) **Date of Patent:** **** Mar. 9, 2021**

(54) **VEHICLE LIGHT**
(71) Applicant: **COPLUS INC.**, Tainan (TW)
(72) Inventor: **Po-Hua Wu**, Tainan (TW)
(73) Assignee: **Coplus Inc.**, Tainan (TW)
(**) Term: **15 Years**

D828,590 S * 9/2018 Hannemann D26/28
D863,624 S * 10/2019 Kawaguchi D26/28
D869,707 S * 12/2019 Wu D26/28
D870,328 S * 12/2019 Wu D26/28
D870,936 S * 12/2019 Wu D26/28
D871,628 S * 12/2019 Hirata D26/28
D874,031 S * 1/2020 Herzog D26/28
D875,283 S * 2/2020 He D26/28
D890,380 S * 7/2020 Wu D26/28
D893,772 S * 8/2020 Binder D26/28

(21) Appl. No.: **29/722,956**

FOREIGN PATENT DOCUMENTS

(22) Filed: **Feb. 3, 2020**

CN 305664393 * 9/2019
CN 306035245 * 9/2019

(30) **Foreign Application Priority Data**

* cited by examiner

Nov. 21, 2019 (TW) 108307121

Primary Examiner — Angela J Lee

(51) **LOC (13) Cl.** **26-06**

(74) *Attorney, Agent, or Firm* — Lewis Roca Rothgerber
Christie LLP

(52) **U.S. Cl.**
USPC **D26/28**

(58) **Field of Classification Search**
USPC D26/28, 29, 30, 31, 32, 33, 34, 35, 36
CPC F21S 48/00; F21S 48/10; F21S 48/115;
F21S 48/225; F21S 48/1233; F21S
48/1266; F21S 48/1388; F21S 48/2268;
F21V 21/04; F21W 2103/35; F21W 3/40;
F21W 2102/17; F21W 2102/30; F21W
2103/00; F21W 2103/55; F21W 2104/00;
F21W 2107/17; F21W 2107/13
See application file for complete search history.

(57) **CLAIM**

The ornamental design for a vehicle light, as shown and described.

DESCRIPTION

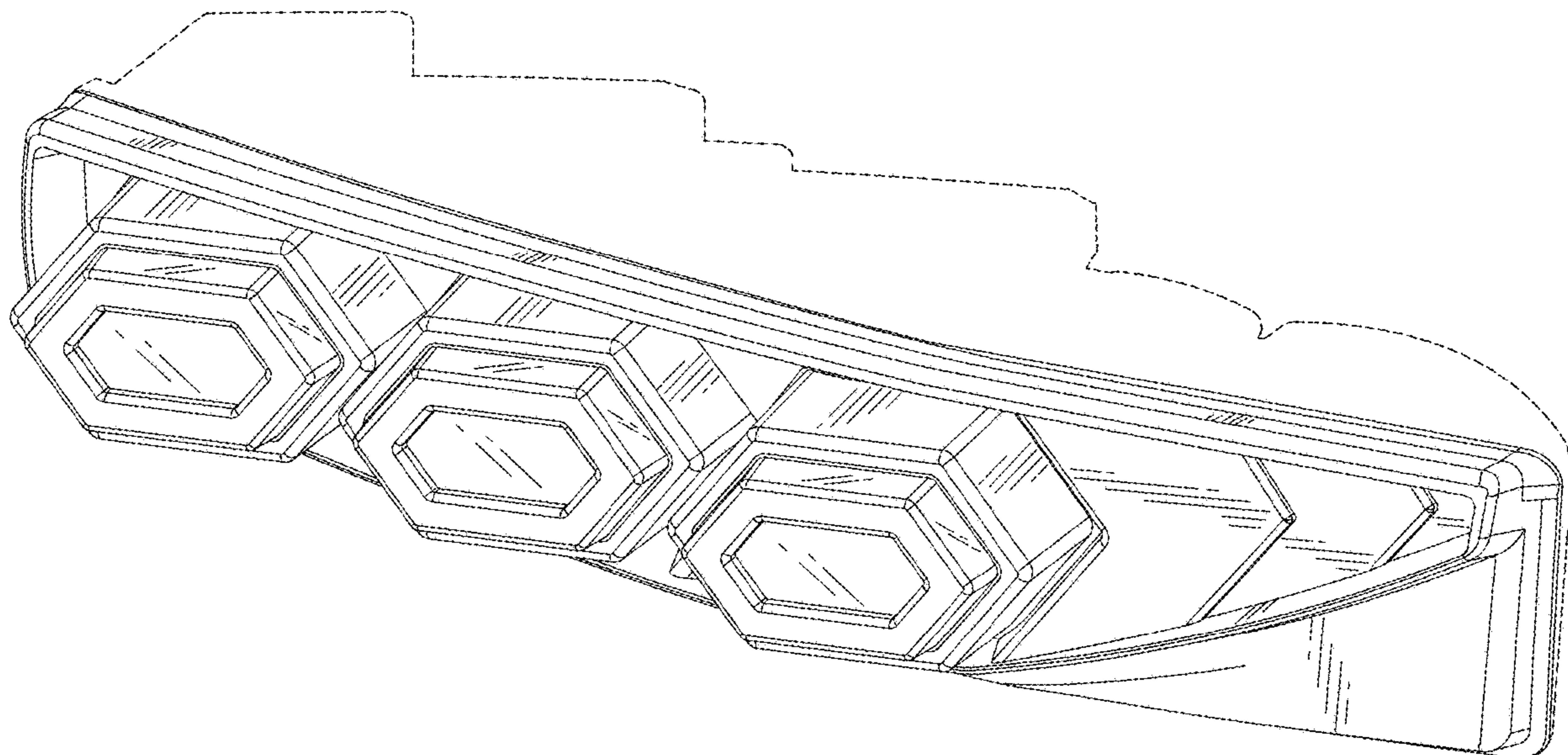
FIG. 1 is a perspective view of the vehicle light;
FIG. 2 is a front view thereof;
FIG. 3 is a rear view thereof;
FIG. 4 is a left side view thereof;
FIG. 5 is a right side view thereof;
FIG. 6 is a top view thereof; and,
FIG. 7 is a bottom view thereof.
The broken lines in the drawings depict portions of the article that form no part of the claimed design.

(56) **References Cited**

U.S. PATENT DOCUMENTS

D745,717 S * 12/2015 Wu D26/28
D749,251 S * 2/2016 Nakahara D26/28
D757,967 S * 5/2016 Kim D26/28

1 Claim, 6 Drawing Sheets



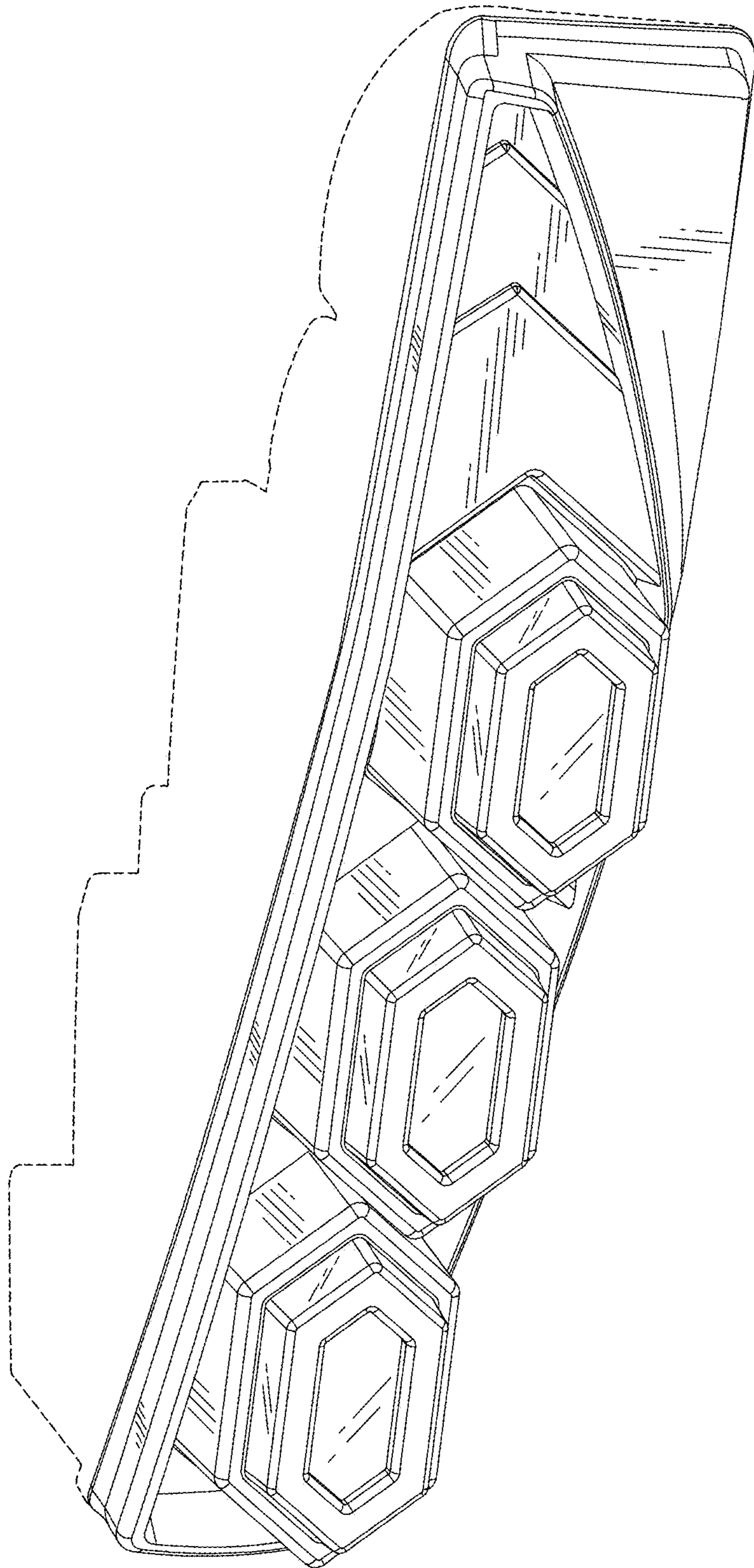


FIG. 1

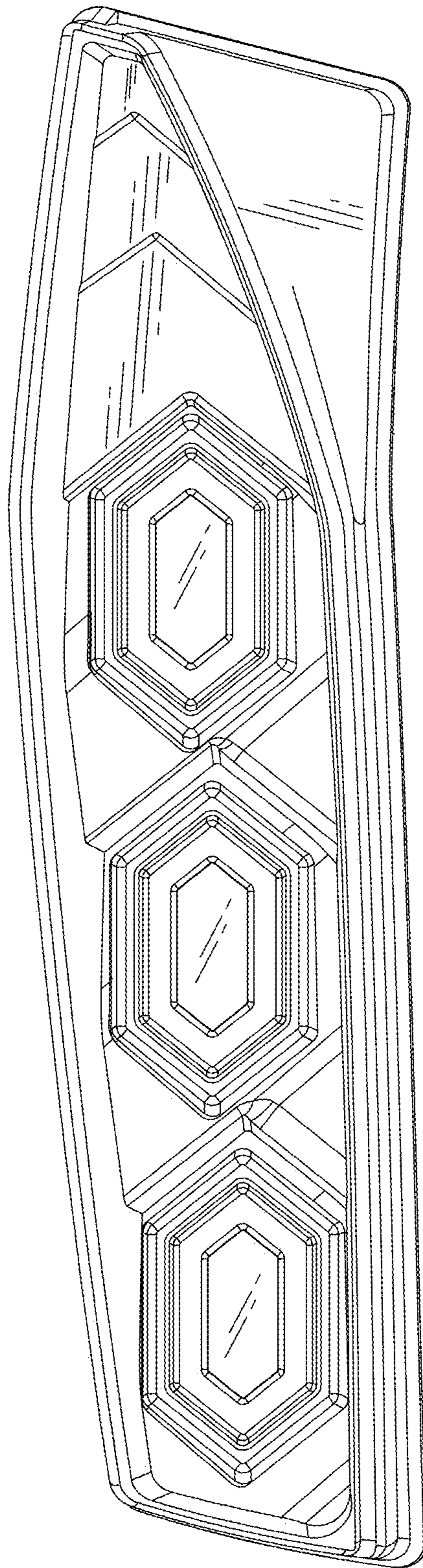


FIG. 2

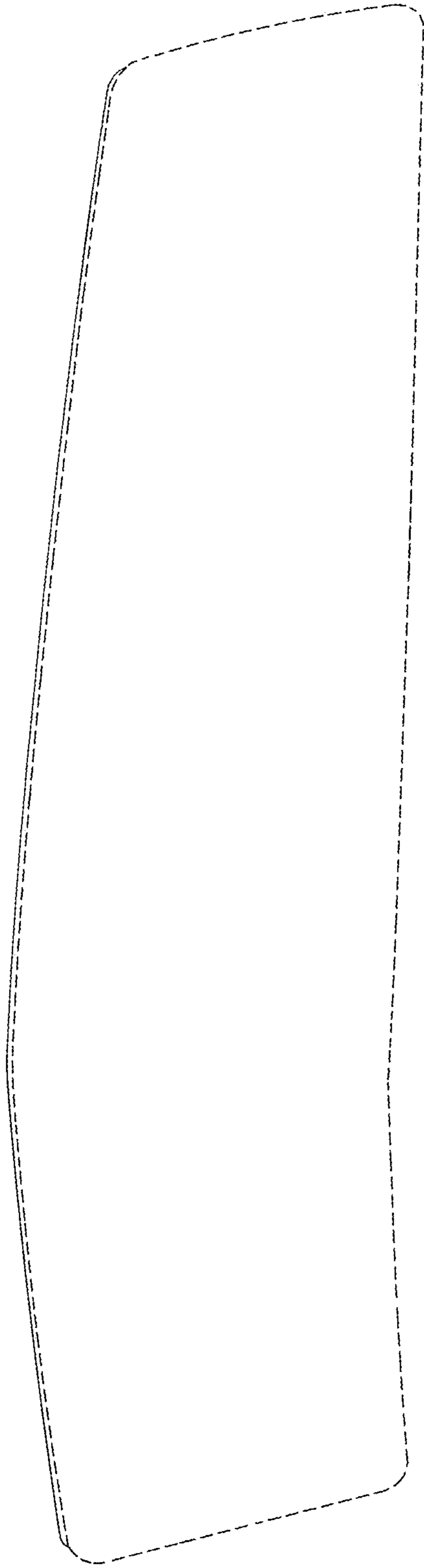


FIG. 3

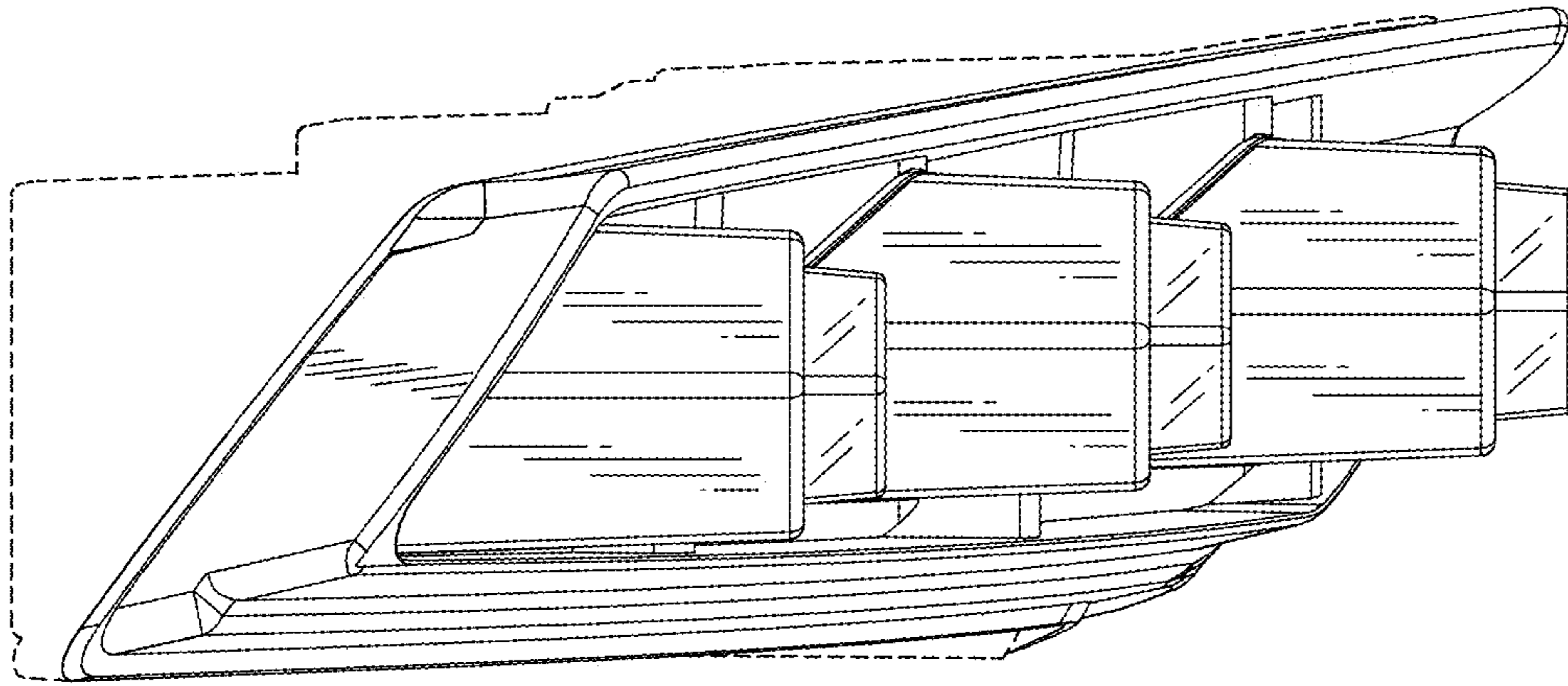


FIG. 4

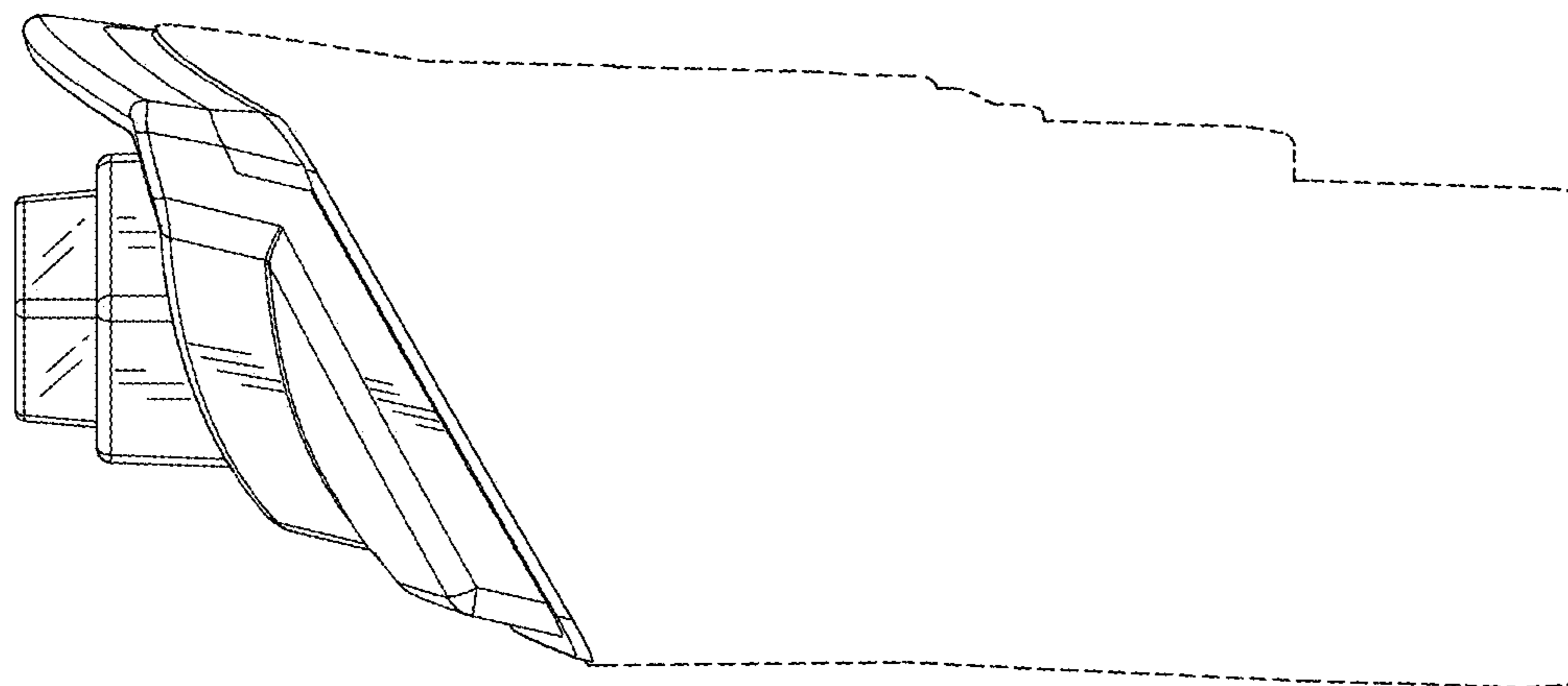


FIG. 5

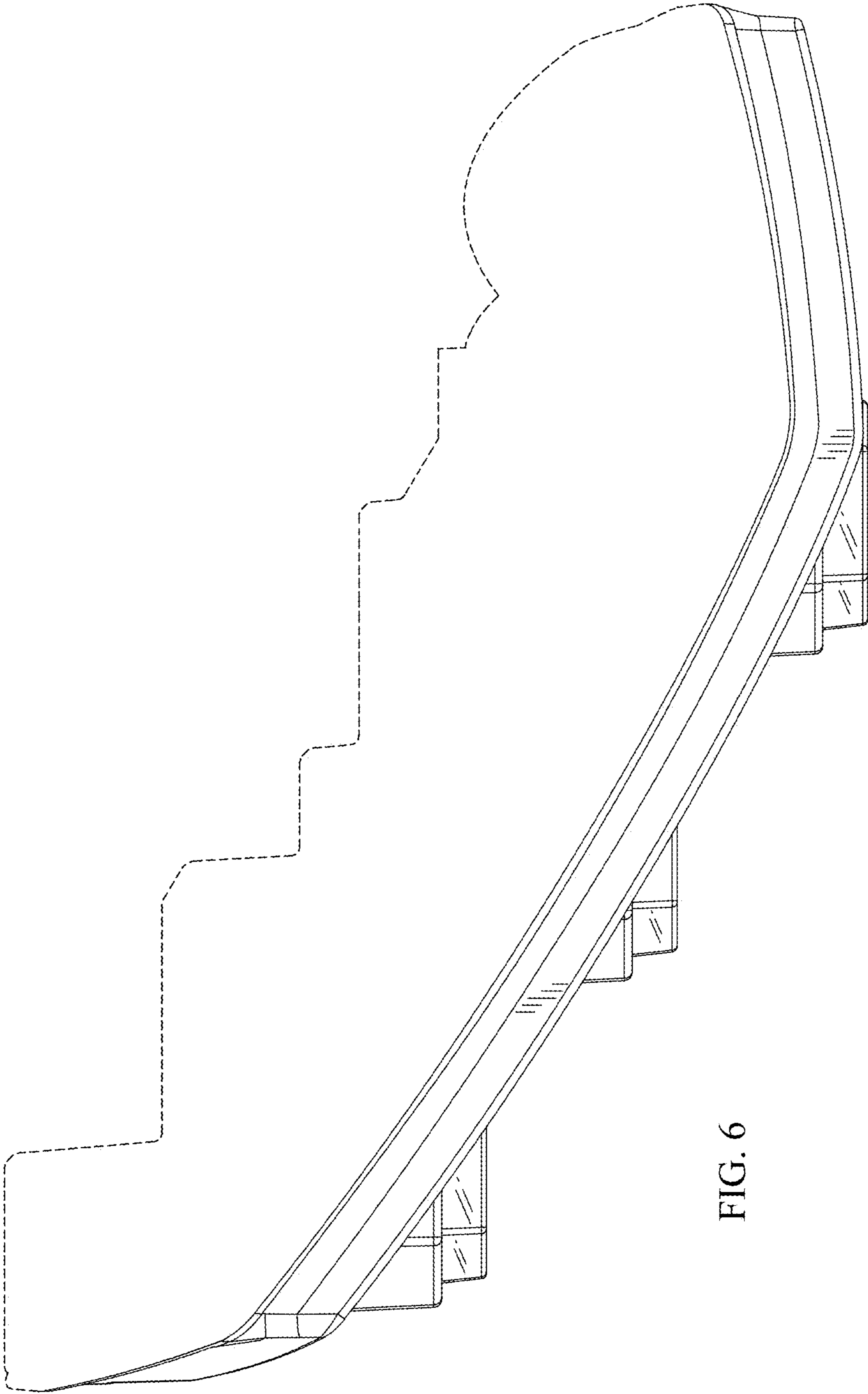


FIG. 6

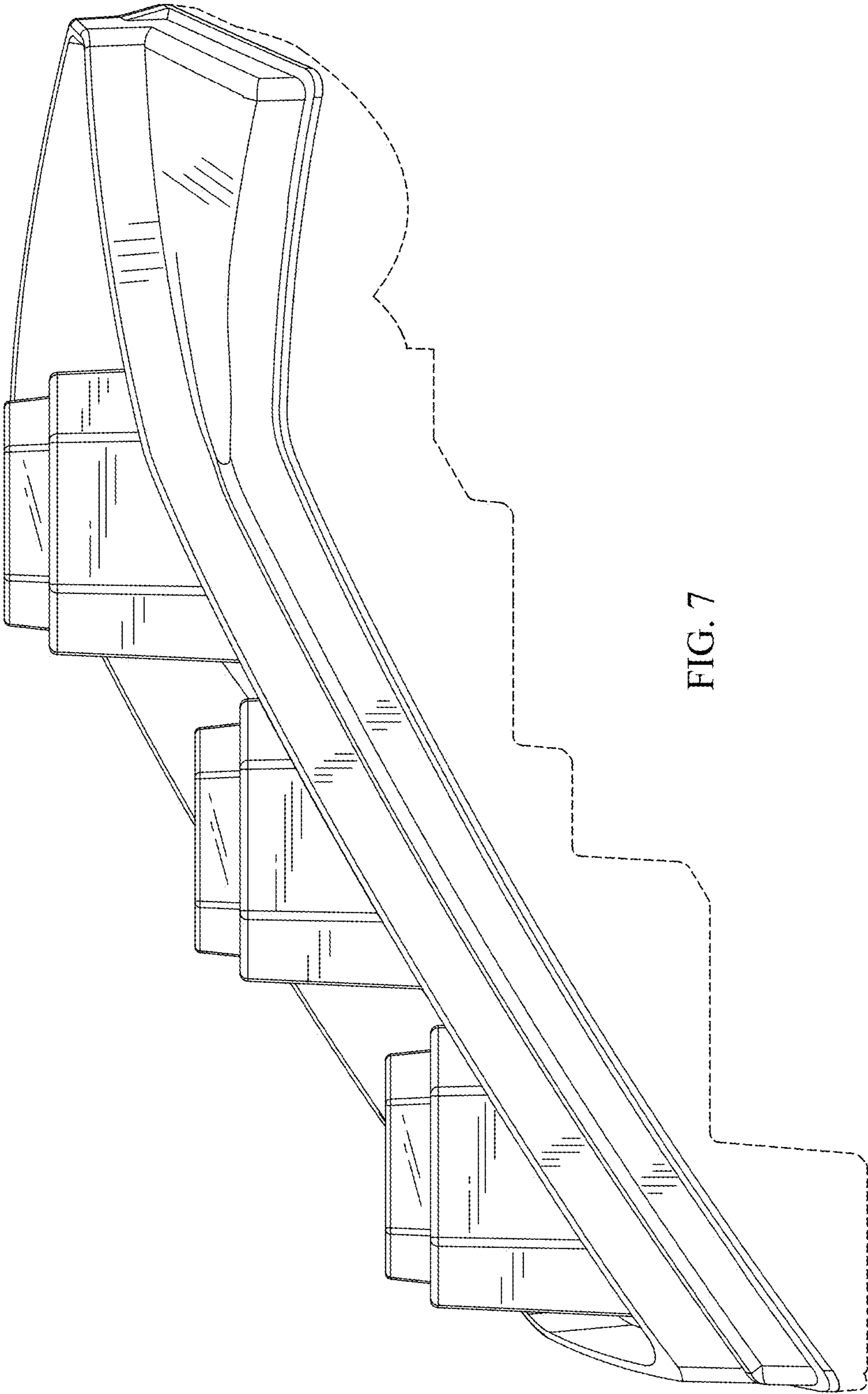


FIG. 7