



US00D912863S

(12) **United States Design Patent**
Wu

(10) **Patent No.:** **US D912,863 S**
(45) **Date of Patent:** **** Mar. 9, 2021**

- (54) **VEHICLE LIGHT**
- (71) Applicant: **COPLUS INC.**, Tainan (TW)
- (72) Inventor: **Po-Hua Wu**, Tainan (TW)
- (73) Assignee: **Coplus Inc**, Tainan (TW)
- (**) Term: **15 Years**
- (21) Appl. No.: **29/722,954**
- (22) Filed: **Feb. 3, 2020**

D884,940 S *	5/2020	He	D26/28
D888,298 S *	6/2020	Wu	D26/28
D890,382 S *	7/2020	Wu	D26/28
D890,386 S *	7/2020	Wu	D26/28
D890,388 S *	7/2020	Wu	D26/28
D893,064 S *	8/2020	He	D26/28
D893,065 S *	8/2020	He	D26/28
D893,066 S *	8/2020	Lin	D26/28
D896,410 S *	9/2020	He	D26/28
D899,641 S *	10/2020	He	D26/28
D900,359 S *	10/2020	He	D26/28

(30) **Foreign Application Priority Data**

Nov. 6, 2019 (TW) 108306865

(51) **LOC (13) Cl.** **26-06**

(52) **U.S. Cl.**
USPC **D26/28**

(58) **Field of Classification Search**

USPC D26/28, 29, 30, 31, 32, 33, 34, 35, 36

CPC F21S 48/00; F21S 48/10; F21S 48/115;

F21S 48/225; F21S 48/1233; F21S

48/1266; F21S 48/1388; F21S 48/2268;

F21V 21/04; F21W 2103/35; F21W 3/40;

F21W 2102/17; F21W 2102/30; F21W

2103/00; F21W 2103/55; F21W 2104/00;

F21W 2107/17; F21W 2107/13

See application file for complete search history.

(56) **References Cited**

U.S. PATENT DOCUMENTS

D883,526 S * 5/2020 Lin D26/28

D883,538 S * 5/2020 Lai D26/28

* cited by examiner

Primary Examiner — Angela J Lee

(74) *Attorney, Agent, or Firm* — Lewis Roca Rothgerber
Christie LLP

(57) **CLAIM**

The ornamental design for a vehicle light, as shown and described.

DESCRIPTION

FIG. 1 is a perspective view of a vehicle light;

FIG. 2 is a front view thereof;

FIG. 3 is a rear view thereof;

FIG. 4 is a left side view thereof;

FIG. 5 is a right side view thereof;

FIG. 6 is a top view thereof; and,

FIG. 7 is a bottom view thereof.

The broken lines in the drawings are for illustrative purpose only and form no part of the claimed design.

1 Claim, 7 Drawing Sheets

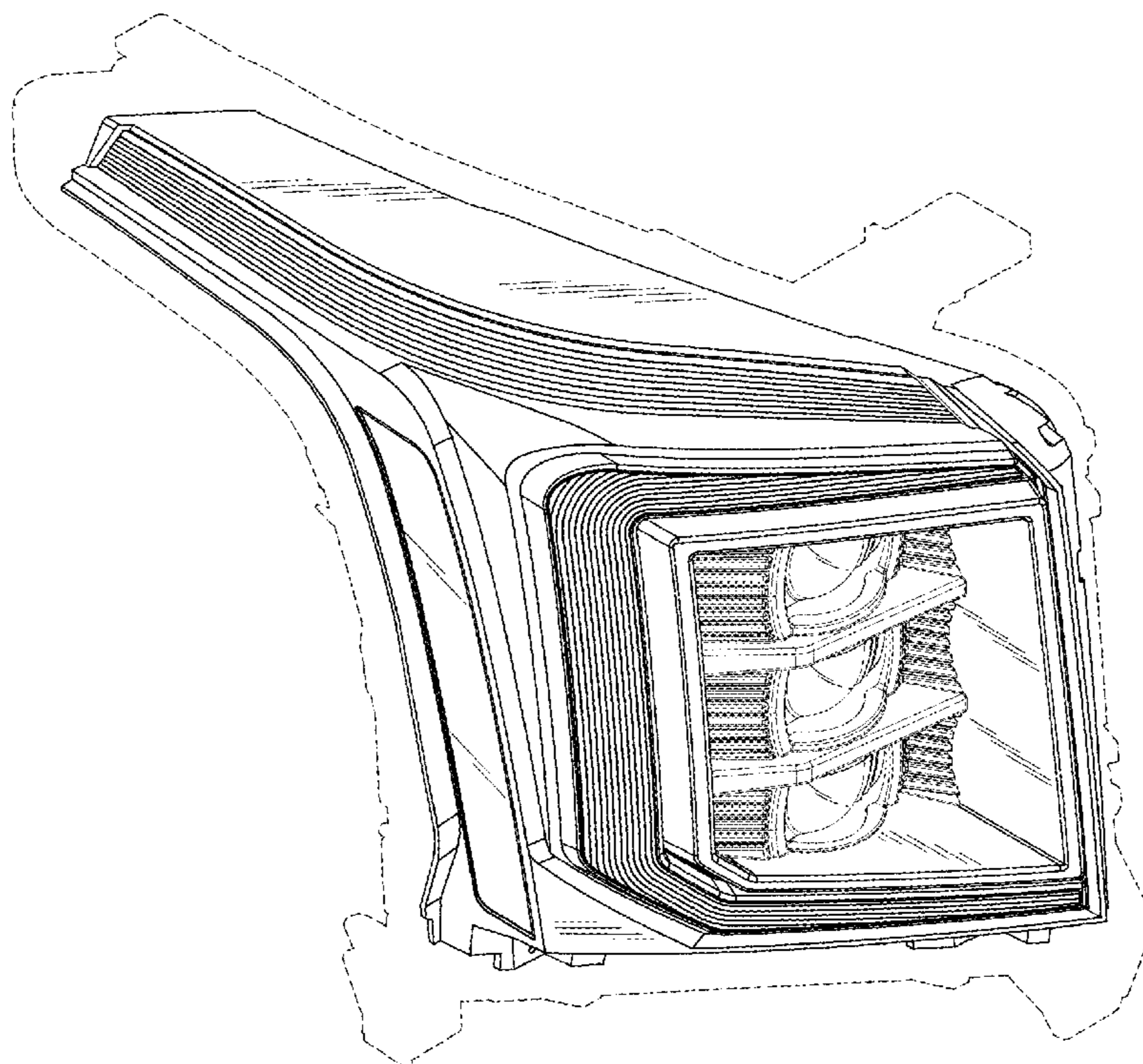


FIG. 1

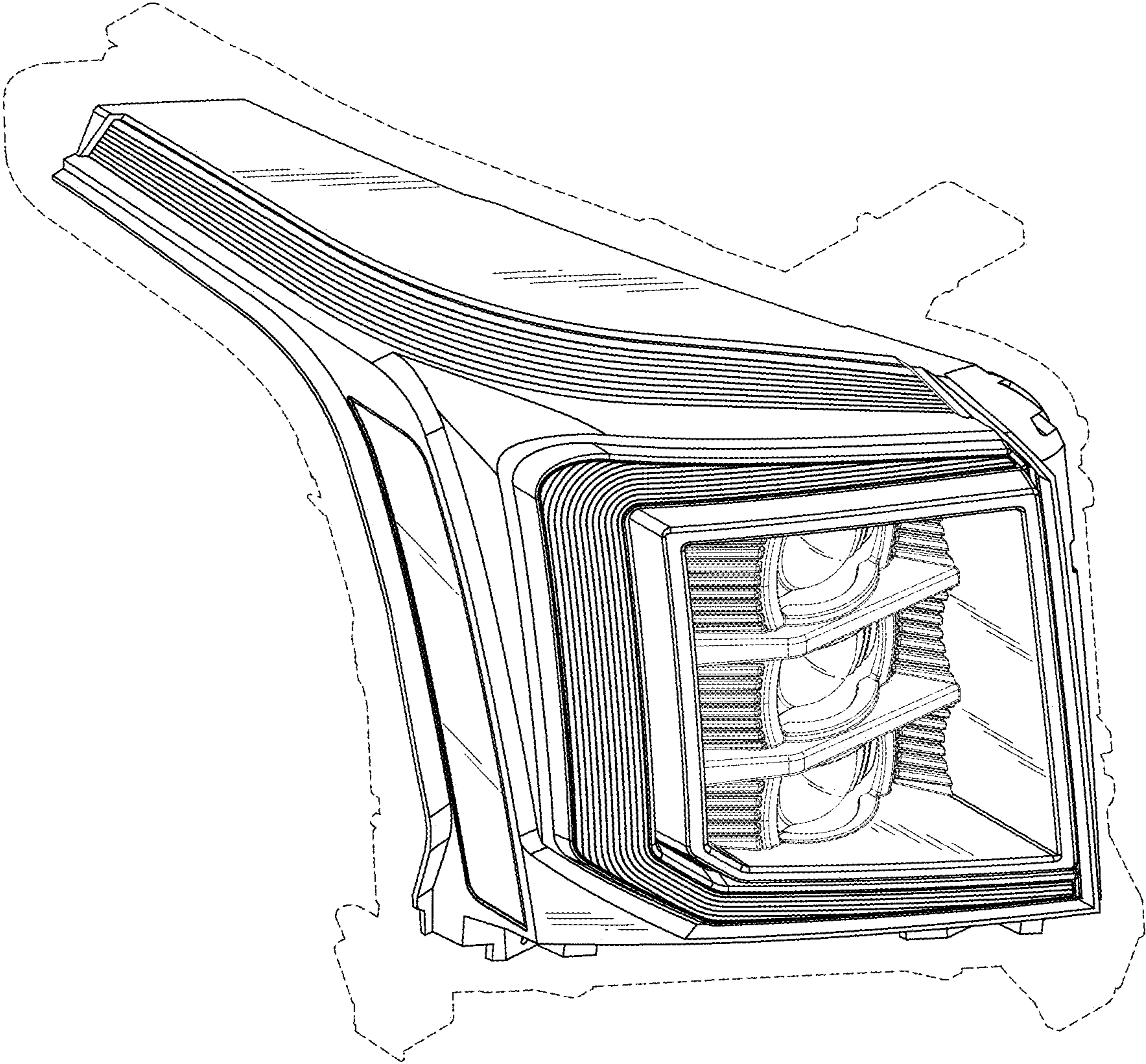


FIG. 2

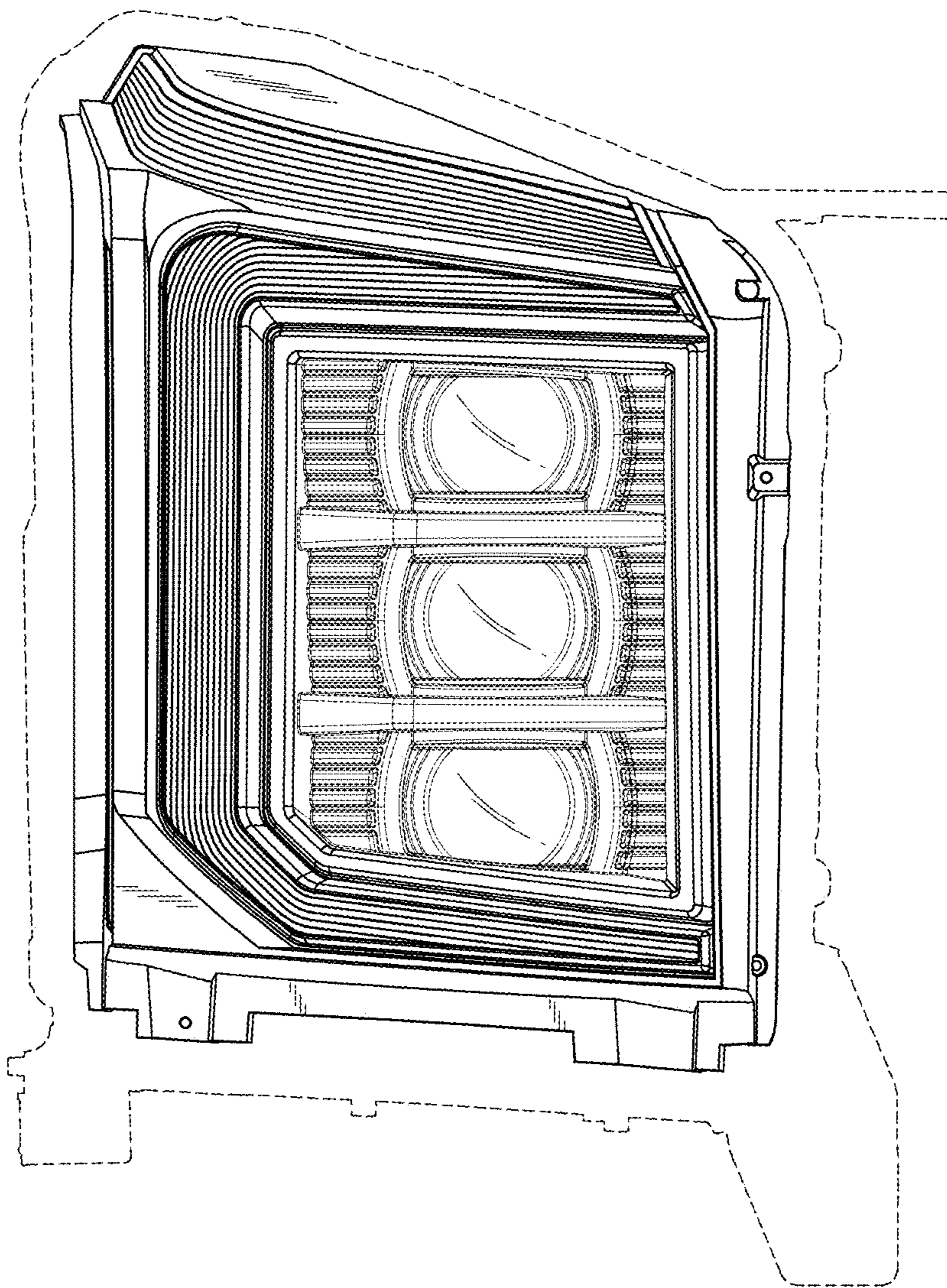


FIG. 3

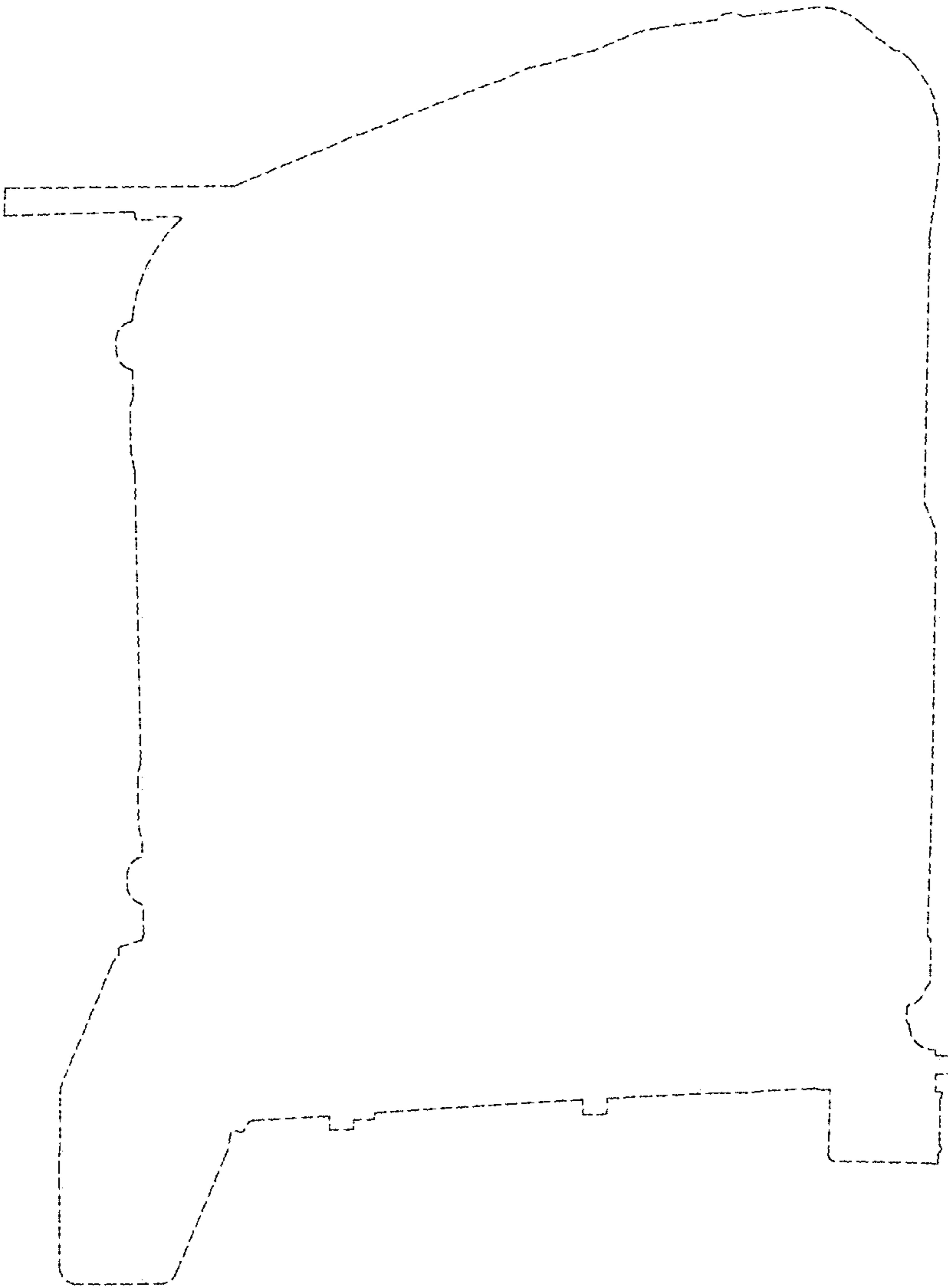


FIG. 4

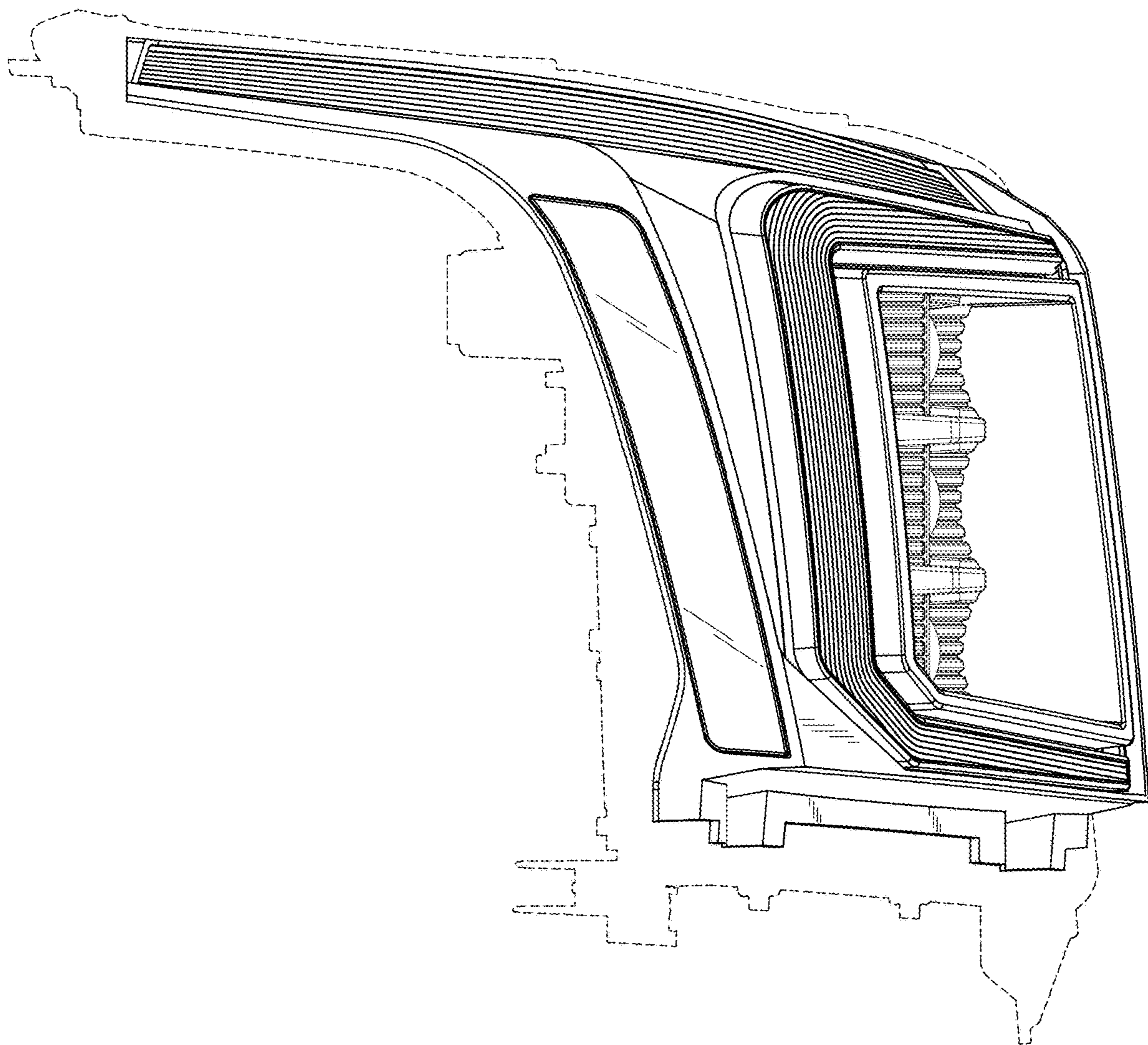


FIG. 5



FIG. 6

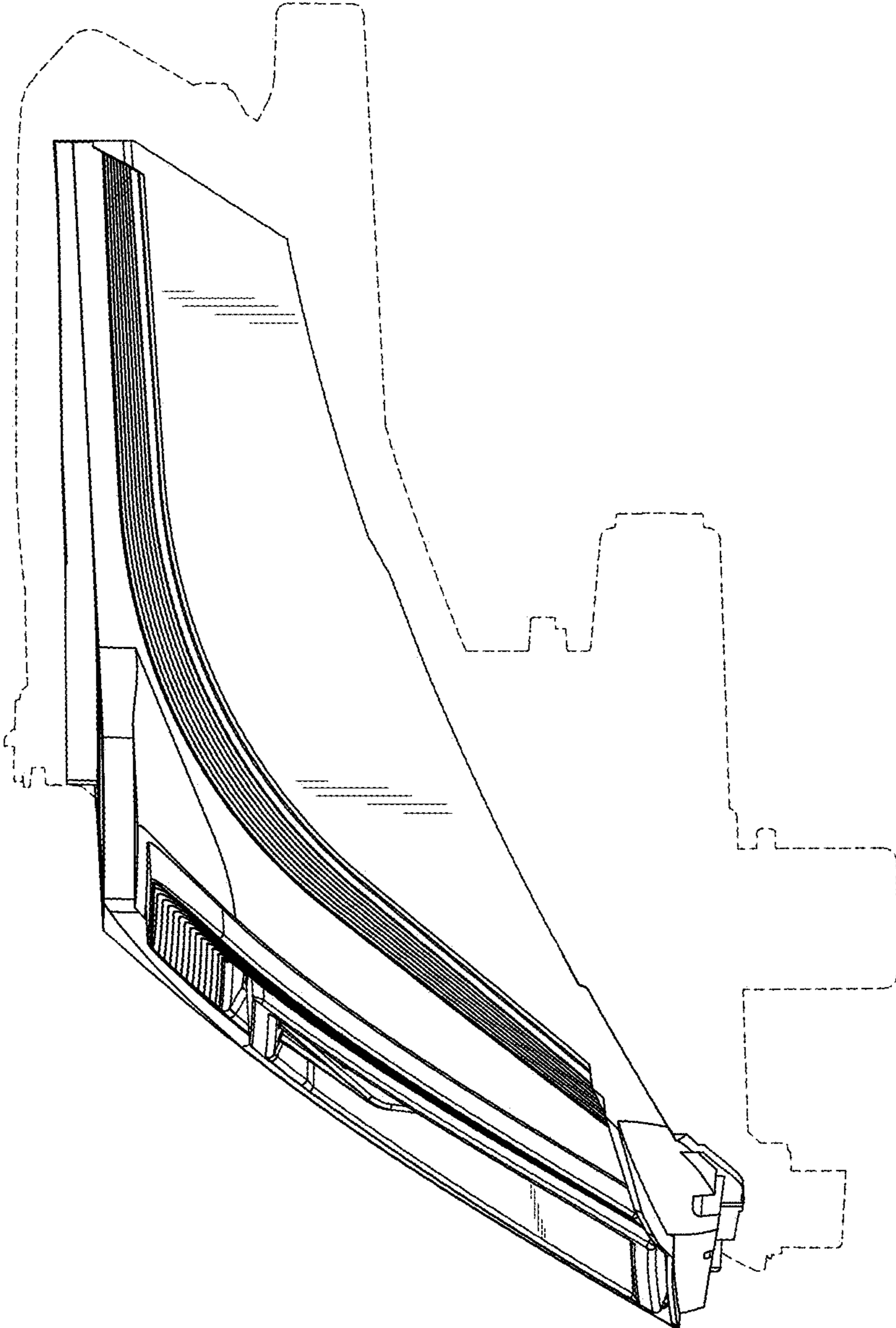


FIG. 7

