



US00D912860S

(12) **United States Design Patent**
Wu

(10) **Patent No.:** **US D912,860 S**
(45) **Date of Patent:** **** Mar. 9, 2021**

(54) **VEHICLE LIGHT**
(71) Applicant: **COPLUS INC.**, Tainan (TW)
(72) Inventor: **Po-Hua Wu**, Tainan (TW)
(73) Assignee: **Coplus Inc.**, Tainan (TW)
(**) Term: **15 Years**

D776,310 S * 1/2017 Mackay D26/28
D797,324 S * 9/2017 Lai D26/28
D797,970 S * 9/2017 Mainville D26/28
D838,020 S * 1/2019 Lin D26/28
D844,864 S * 4/2019 Lin D26/28
D868,316 S * 11/2019 Lin D26/28
D878,644 S * 3/2020 Lai D26/28
D892,371 S * 8/2020 Badstuebner D26/28
D893,776 S * 8/2020 Lin D26/28

* cited by examiner

(21) Appl. No.: **29/666,682**
(22) Filed: **Oct. 15, 2018**

Primary Examiner — Angela J Lee

(74) *Attorney, Agent, or Firm* — Lewis Roca Rothgerber
Christie LLP

(30) **Foreign Application Priority Data**

Apr. 27, 2018 (TW) 107302385

(51) **LOC (13) Cl.** **26-06**

(52) **U.S. Cl.**
USPC **D26/28**

(58) **Field of Classification Search**

USPC D26/28, 29, 30, 31, 32, 33, 34, 35, 36
CPC F21S 48/00; F21S 48/10; F21S 48/115;
F21S 48/225; F21S 48/1233; F21S
48/1266; F21S 48/1388; F21S 48/2268;
F21V 21/04; F21W 2103/35; F21W 3/40;
F21W 2102/17; F21W 2102/30; F21W
2103/00; F21W 2103/55; F21W 2104/00;
F21W 2107/17; F21W 2107/13

See application file for complete search history.

(56) **References Cited**

U.S. PATENT DOCUMENTS

D677,812 S * 3/2013 Nakamura D26/28
D707,860 S * 6/2014 Futschik D26/28

(57) **CLAIM**

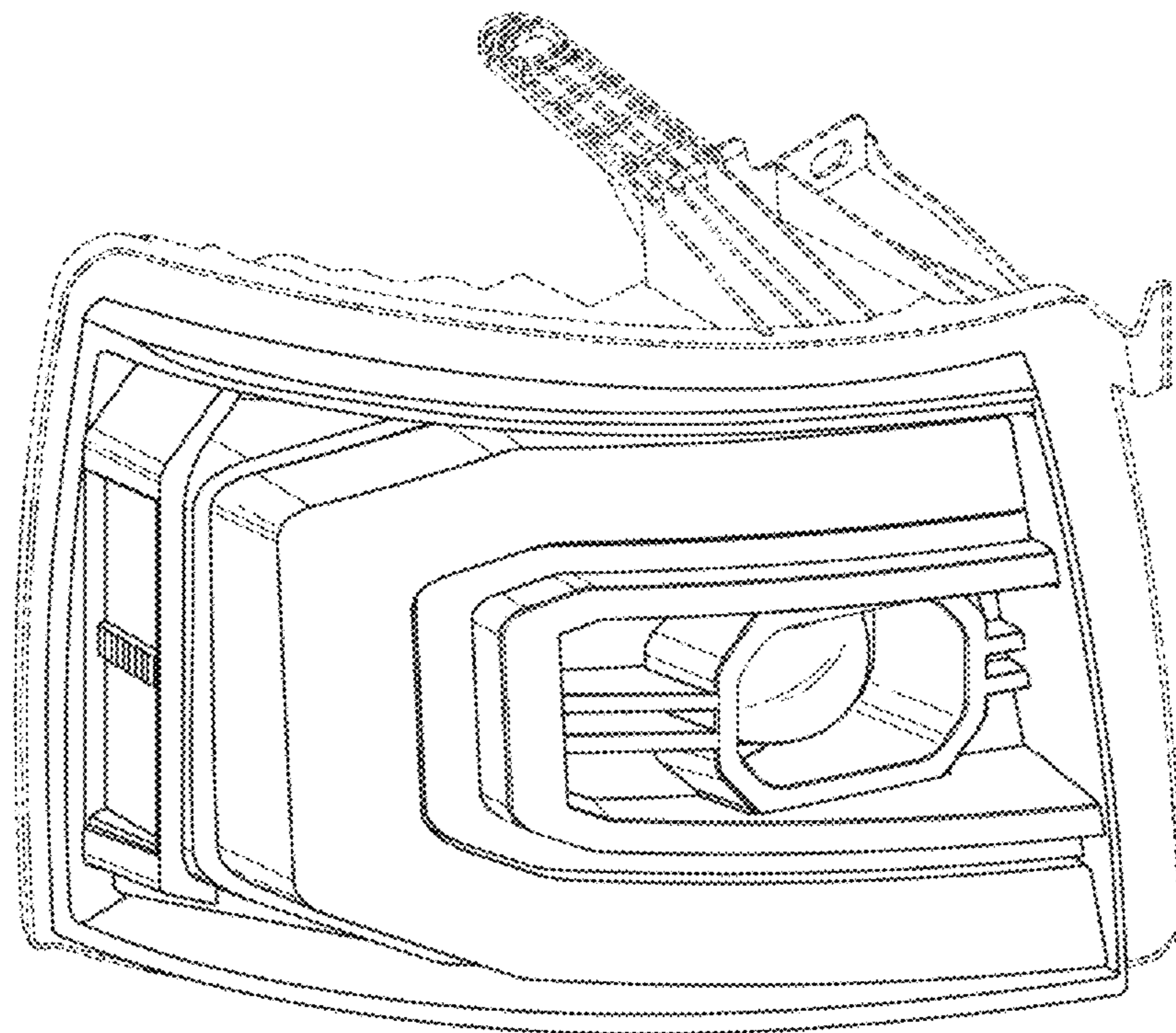
The ornamental design for a vehicle light, as shown and described.

DESCRIPTION

FIG. 1 is a front perspective view of a vehicle light;
FIG. 2 is a left side view thereof;
FIG. 3 is a right side view thereof;
FIG. 4 is a rear view thereof;
FIG. 5 is a front view thereof;
FIG. 6 is a top view thereof; and,
FIG. 7 is a bottom view thereof.

The broken lines in the drawings are for illustrative purpose only and form no part of the claimed design.

1 Claim, 7 Drawing Sheets



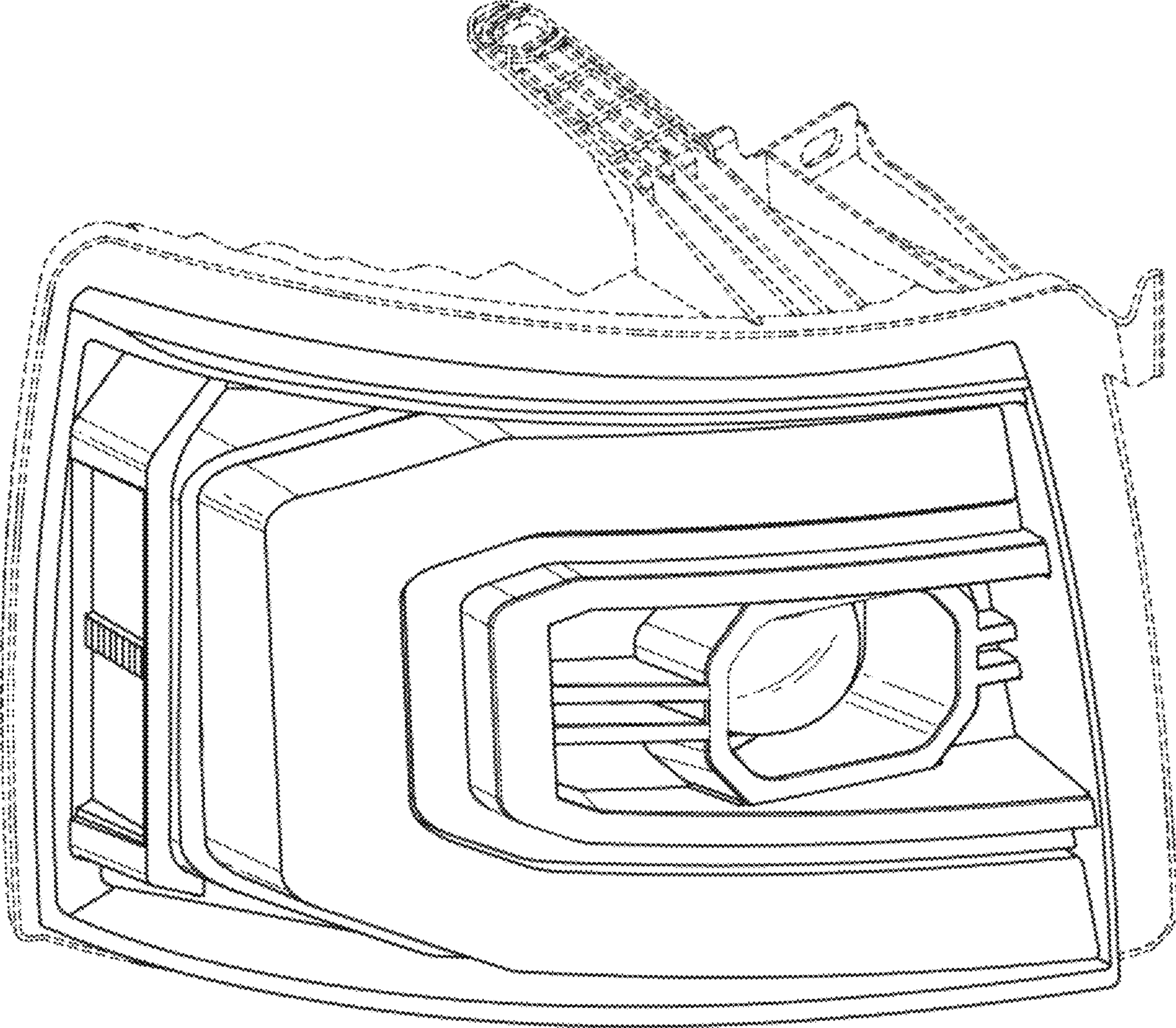


FIG. 1

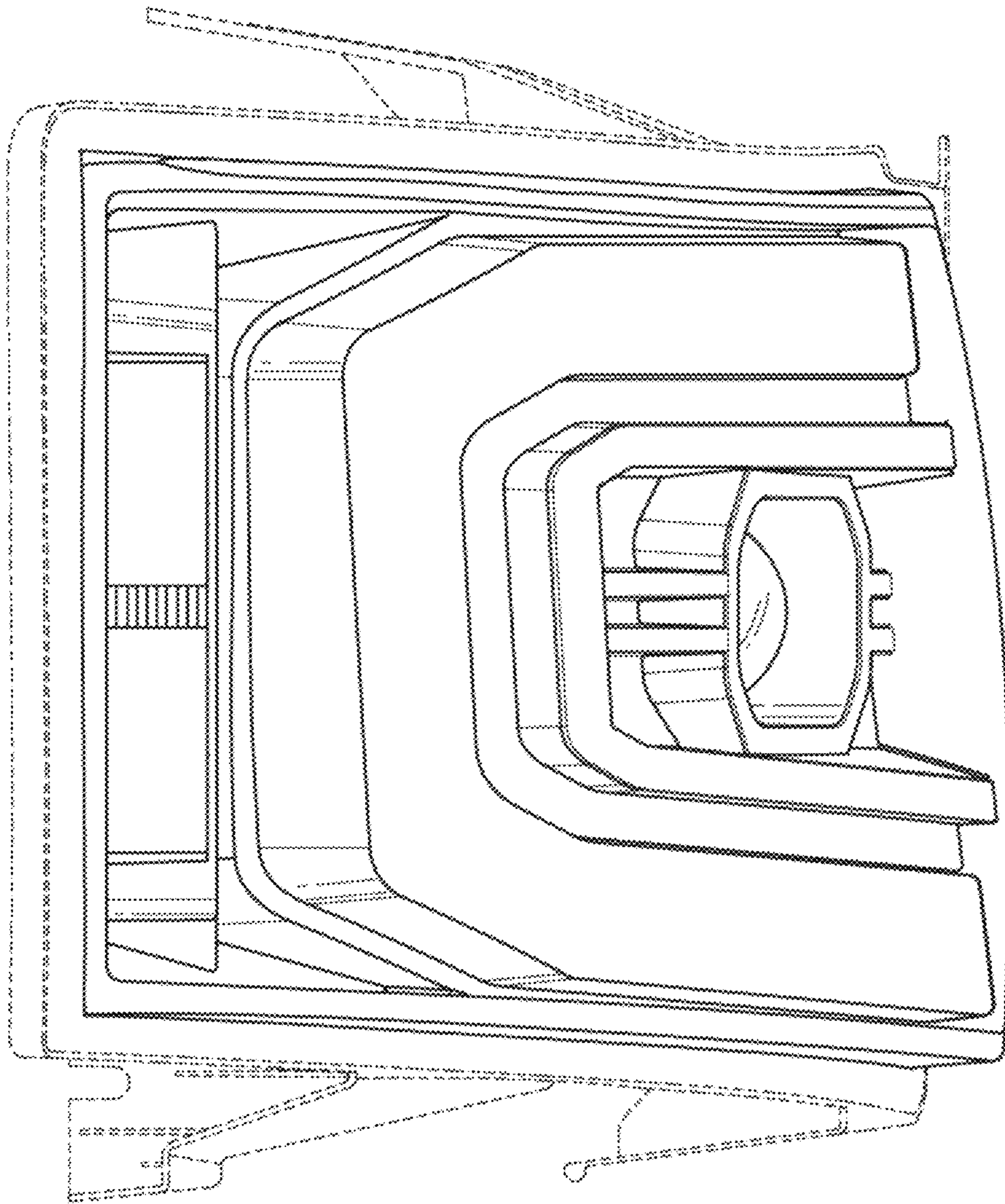


FIG. 2

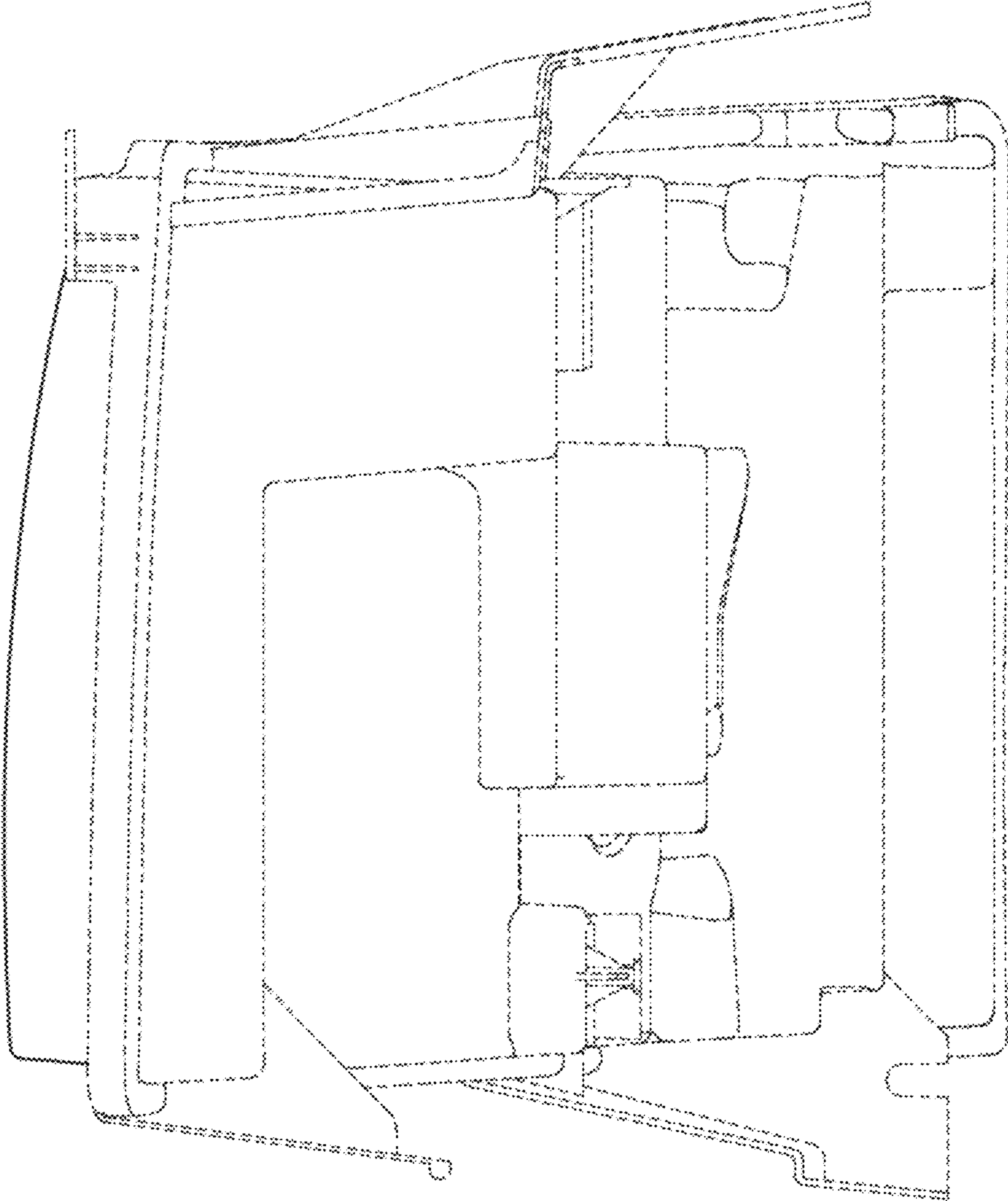


FIG. 3

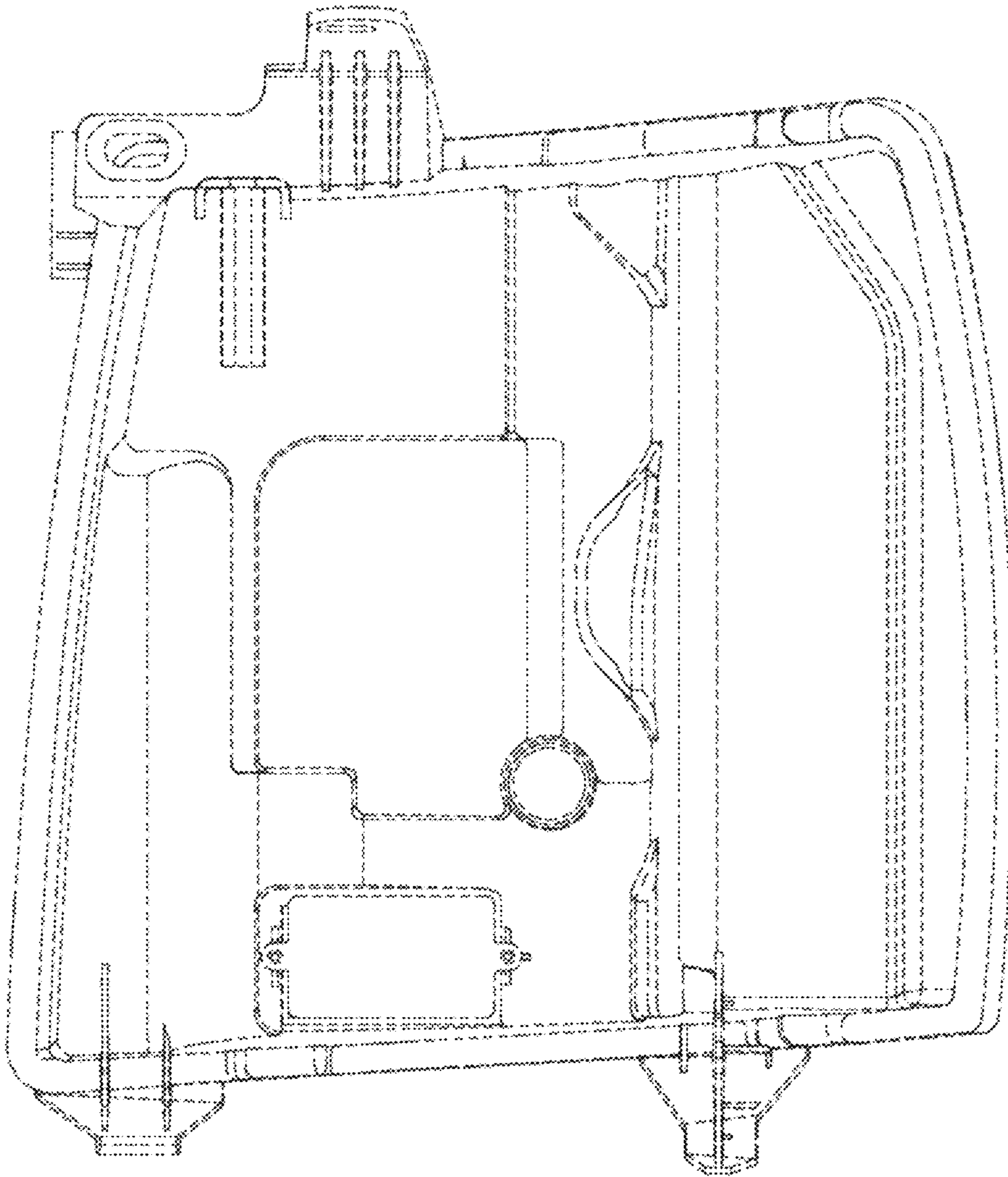


FIG. 4

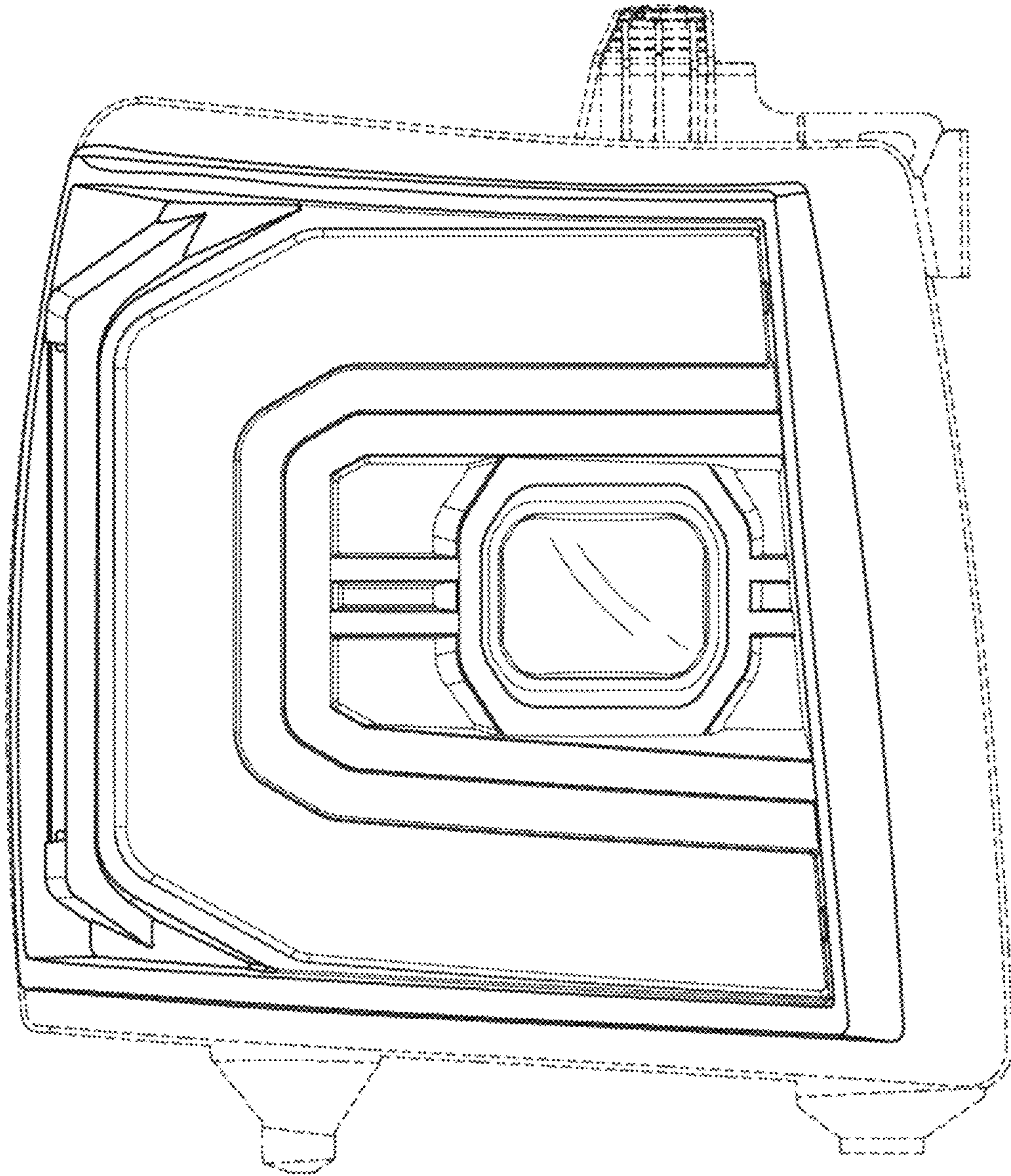


FIG. 5

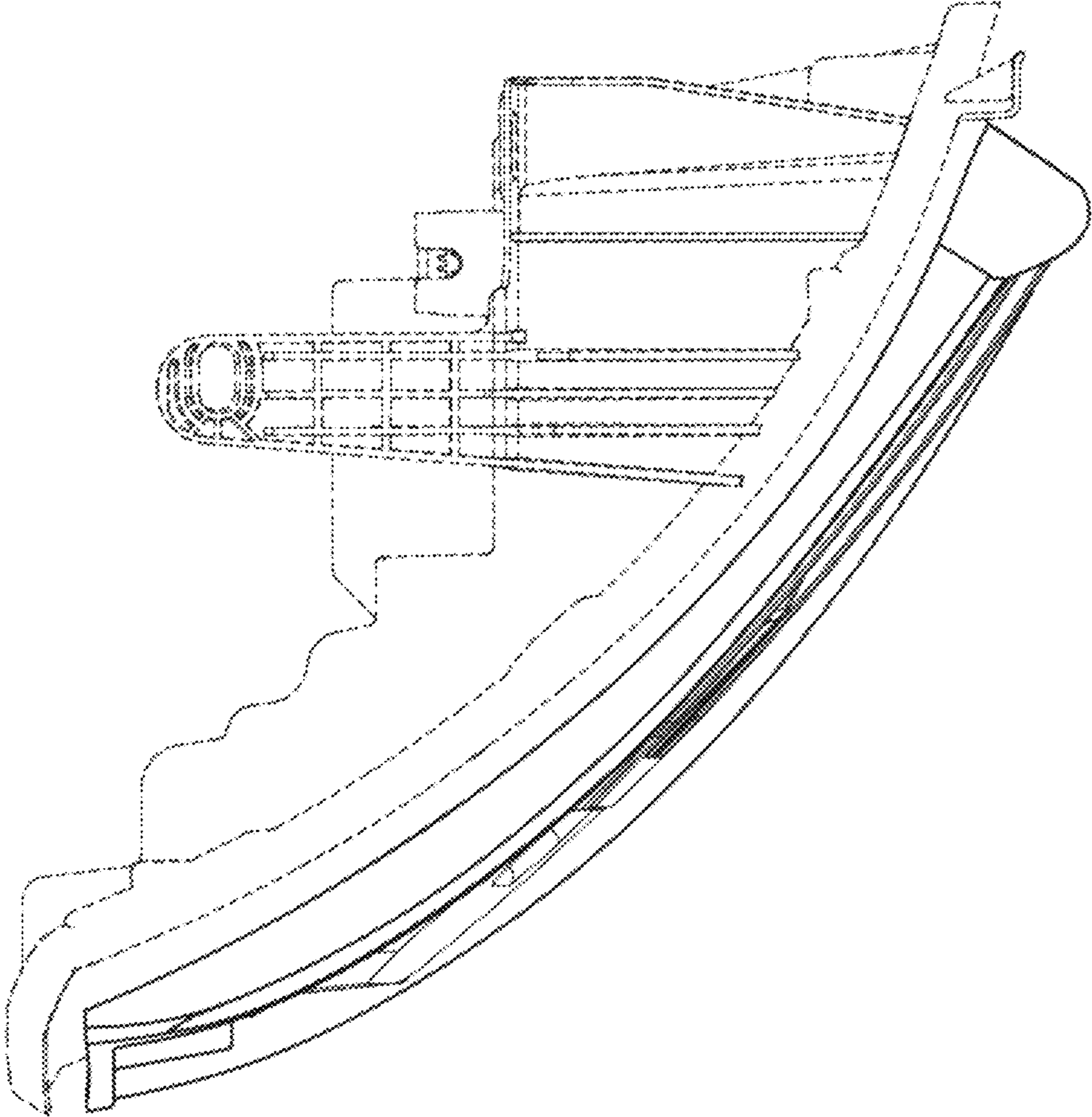


FIG. 6

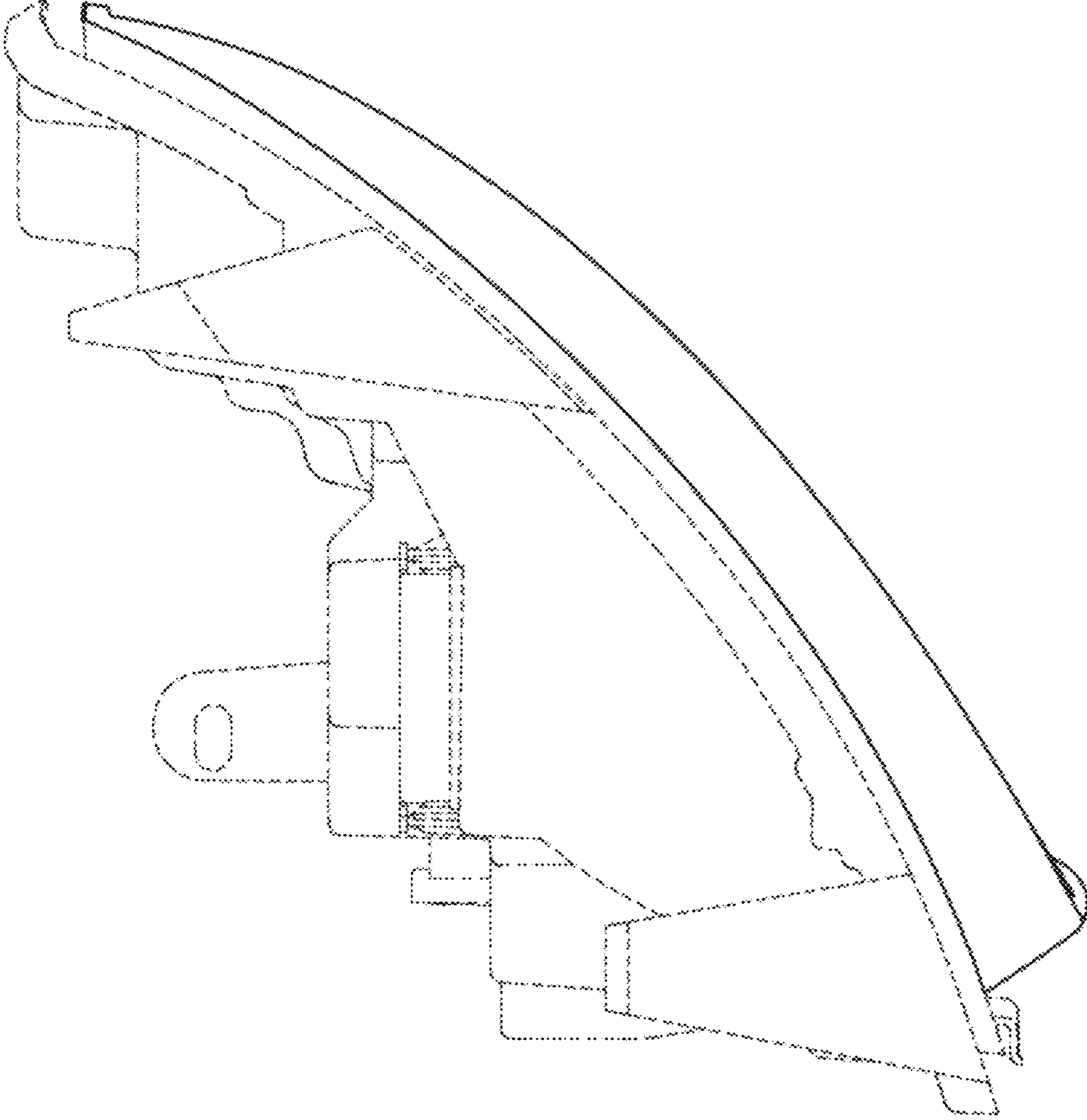


FIG. 7