



US00D912858S

(12) **United States Design Patent** (10) **Patent No.:** **US D912,858 S**
Amrine et al. (45) **Date of Patent:** **** Mar. 9, 2021**

(54) **LAWN EDGING CONNECTOR**
(71) Applicant: **Dimex, LLC**, Marietta, OH (US)
(72) Inventors: **Patrick Amrine**, Williamstown, WV (US); **Lyle A. James**, Kettering, OH (US); **Kevin R. Morey**, Marietta, OH (US)
(73) Assignee: **Dimex, LLC**, Marietta, OH (US)
(**) Term: **15 Years**
(21) Appl. No.: **29/734,990**
(22) Filed: **May 18, 2020**

4,831,776 A 5/1989 Fritch
4,969,289 A 11/1990 Trifiletti
5,157,867 A 10/1992 Fritch
5,259,154 A 11/1993 Lilley
5,926,999 A 7/1999 Vernon et al.
6,324,783 B1* 12/2001 McIntyre A01G 9/28
47/33
6,379,078 B1 4/2002 Zwier
6,397,413 B2 6/2002 Epstein et al.
6,839,920 B2 1/2005 Schulte
D548,368 S 8/2007 Hale et al.
8,585,313 B2 11/2013 Wojtowicz et al.
D797,320 S * 9/2017 Amrine D25/164
D904,647 S * 12/2020 Amrine D25/164
D904,648 S * 12/2020 Amrine D25/164

(Continued)

Primary Examiner — Llorellys Martinez
(74) *Attorney, Agent, or Firm* — Wood Herron & Evans LLP

Related U.S. Application Data

(60) Division of application No. 29/696,201, filed on Jun. 26, 2019, now Pat. No. Des. 904,648, which is a continuation-in-part of application No. 29/681,426, filed on Feb. 26, 2019, now Pat. No. Des. 904,647.
(51) **LOC (13) Cl.** **25-01**
(52) **U.S. Cl.**
USPC **D25/164**
(58) **Field of Classification Search**
USPC D25/102, 119, 164; D8/349, 394, 395
CPC E01C 11/22; E01C 11/221; Y10S 30/05;
A01G 9/28; E02D 5/80; E02D 5/805;
A47G 27/045; A47G 27/0456; A47G
27/0462
See application file for complete search history.

(57) **CLAIM**

The ornamental design for a lawn edging connector, as shown and described.

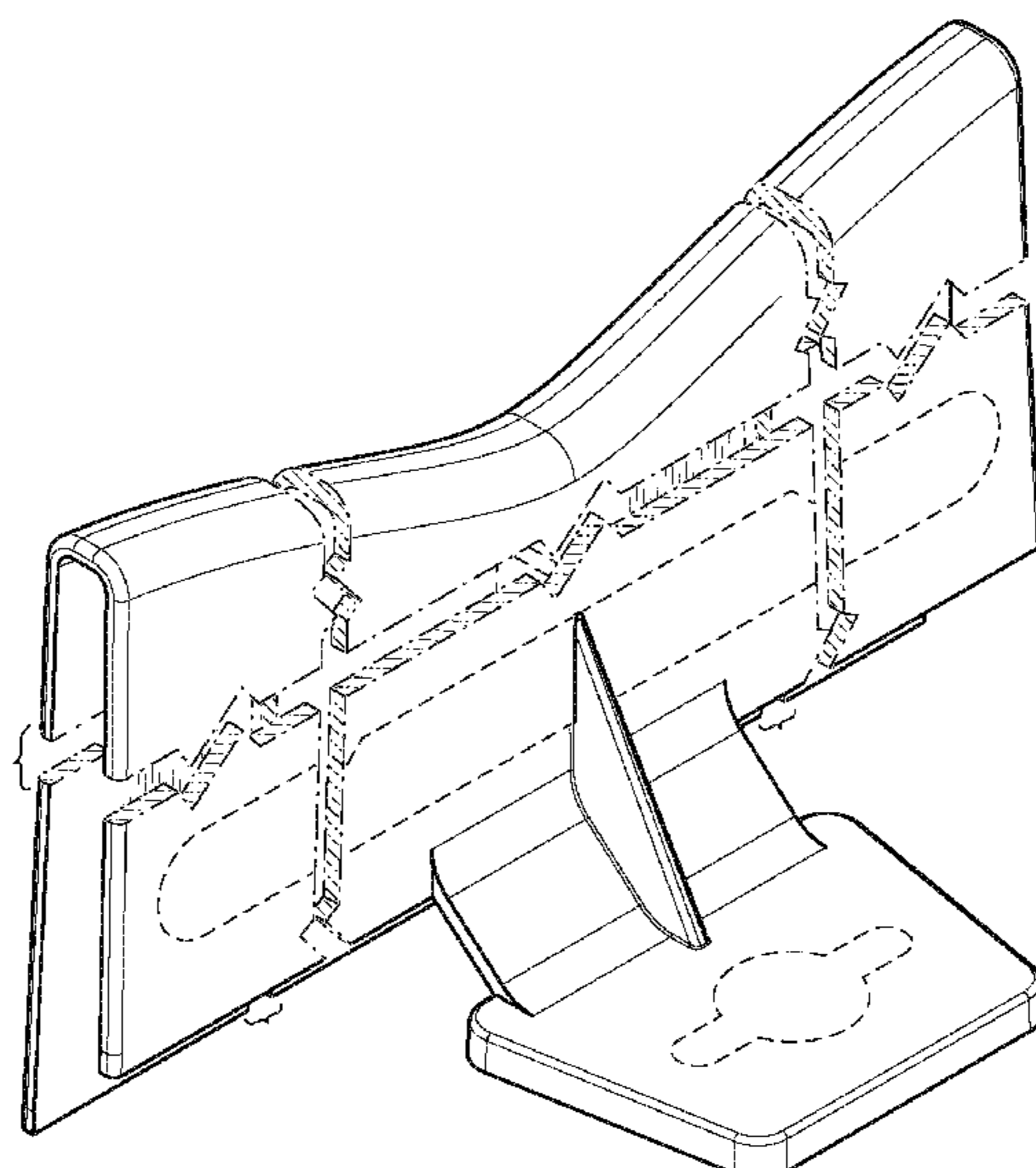
DESCRIPTION

FIG. 1 is a front perspective view of a lawn edging connector showing our new design;
FIG. 2 is a front view thereof;
FIG. 3 is a rear view thereof;
FIG. 4 a right side view thereof;
FIG. 5 is a left side view thereof;
FIG. 6 is a top view thereof; and,
FIG. 7 is a bottom view thereof.
The broken lines in the drawings illustrate portions of the lawn edging connector that form no part of the claimed design. The landscape edging connector is shown with a symbolic break in its length and height in some embodiments. The appearance of any portion of the landscape edging connector between the break lines forms no part of the claimed design.

(56) **References Cited**
U.S. PATENT DOCUMENTS

2,184,904 A 12/1939 Boehme
3,788,001 A 1/1974 Balfanz, Jr.
3,841,022 A 10/1974 Thodos
4,349,596 A 9/1982 Hendrix
4,372,079 A 2/1983 Trageser
4,628,632 A 12/1986 Zwier

1 Claim, 3 Drawing Sheets



(56)

References Cited

U.S. PATENT DOCUMENTS

2002/0050104 A1* 5/2002 Reeves E04D 13/00
52/96
2019/0174685 A1* 6/2019 Wang A01G 9/28
2020/0288647 A1* 9/2020 Amrine A01G 9/28

* cited by examiner

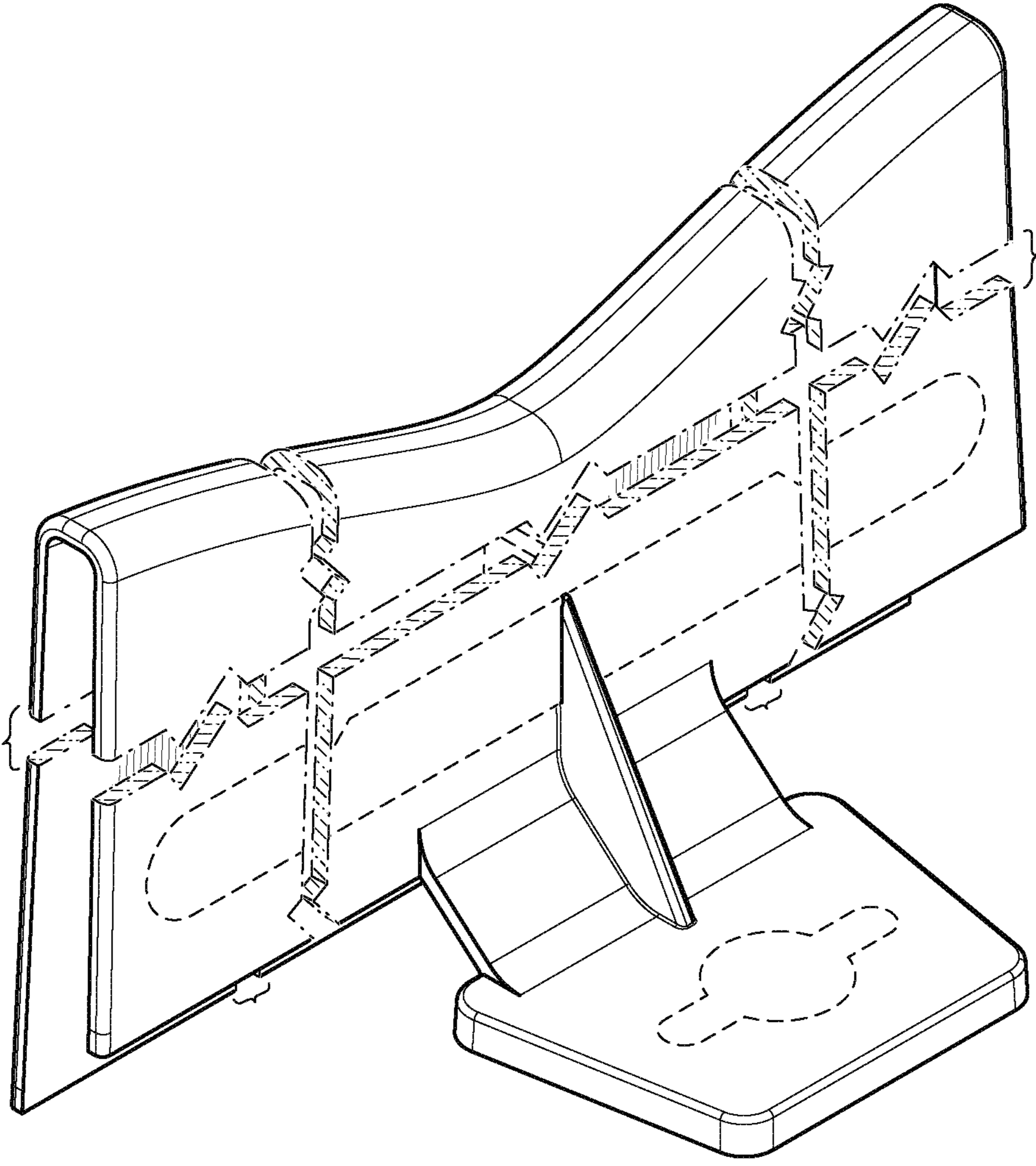


FIG. 1

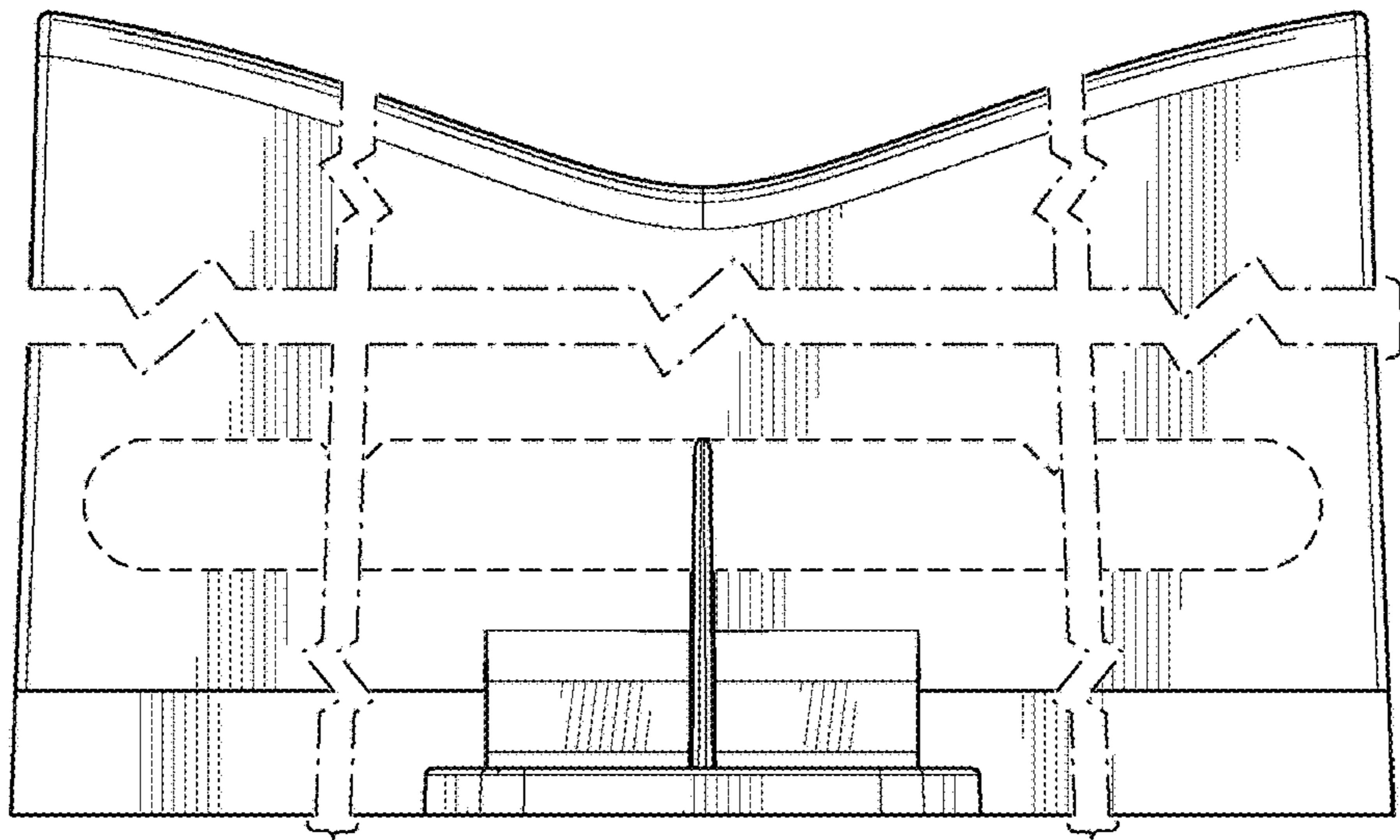


FIG. 2

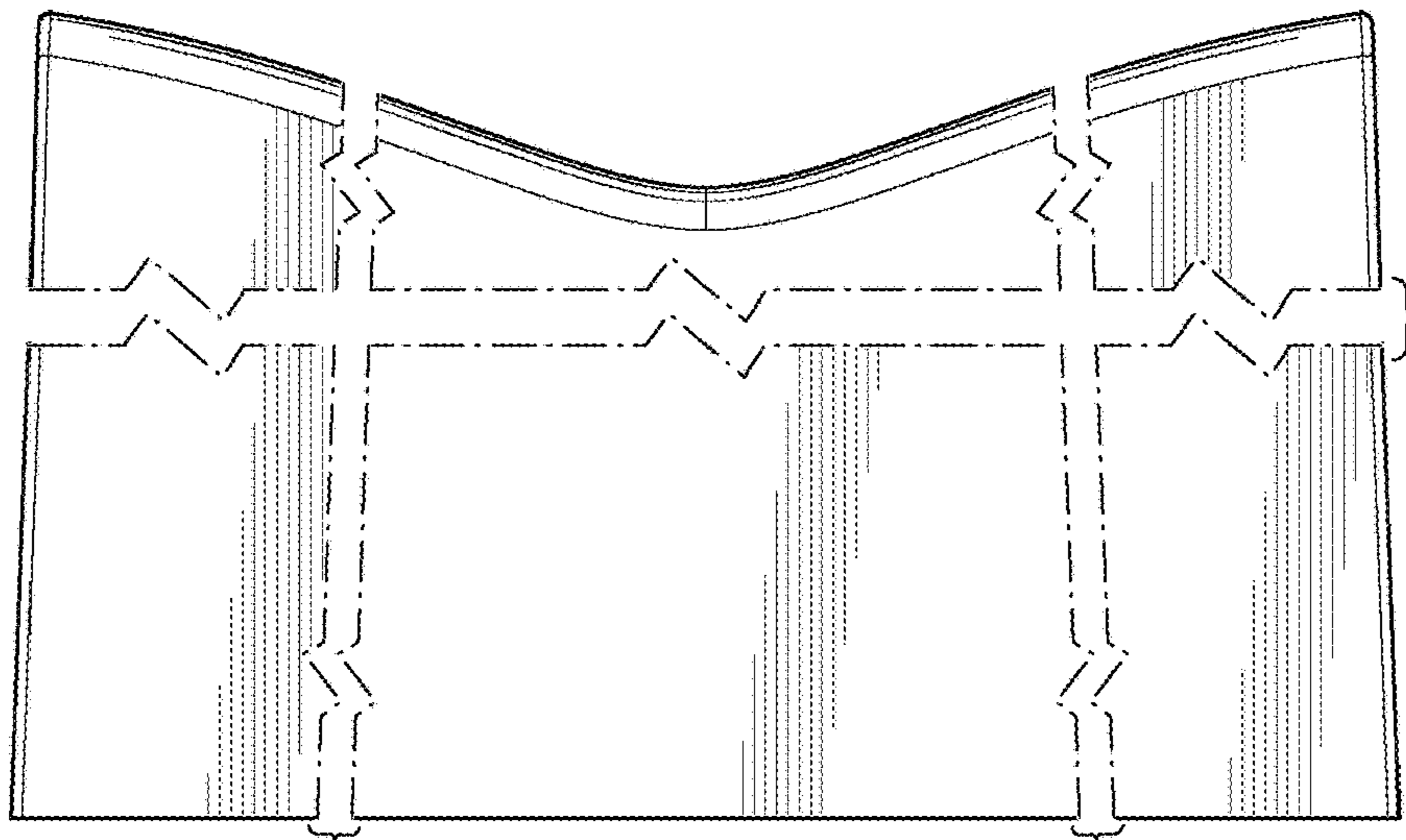


FIG. 3

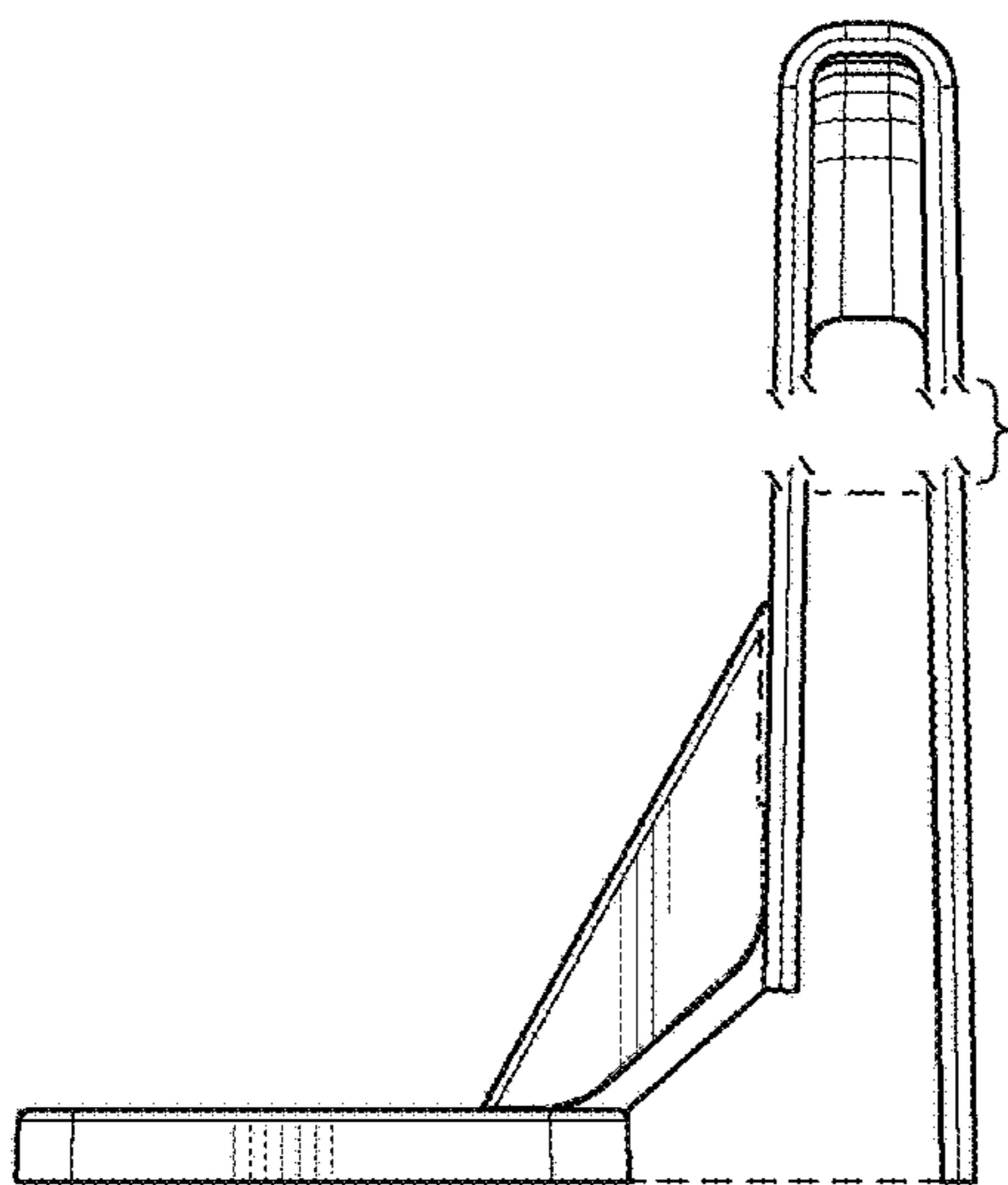


FIG. 4

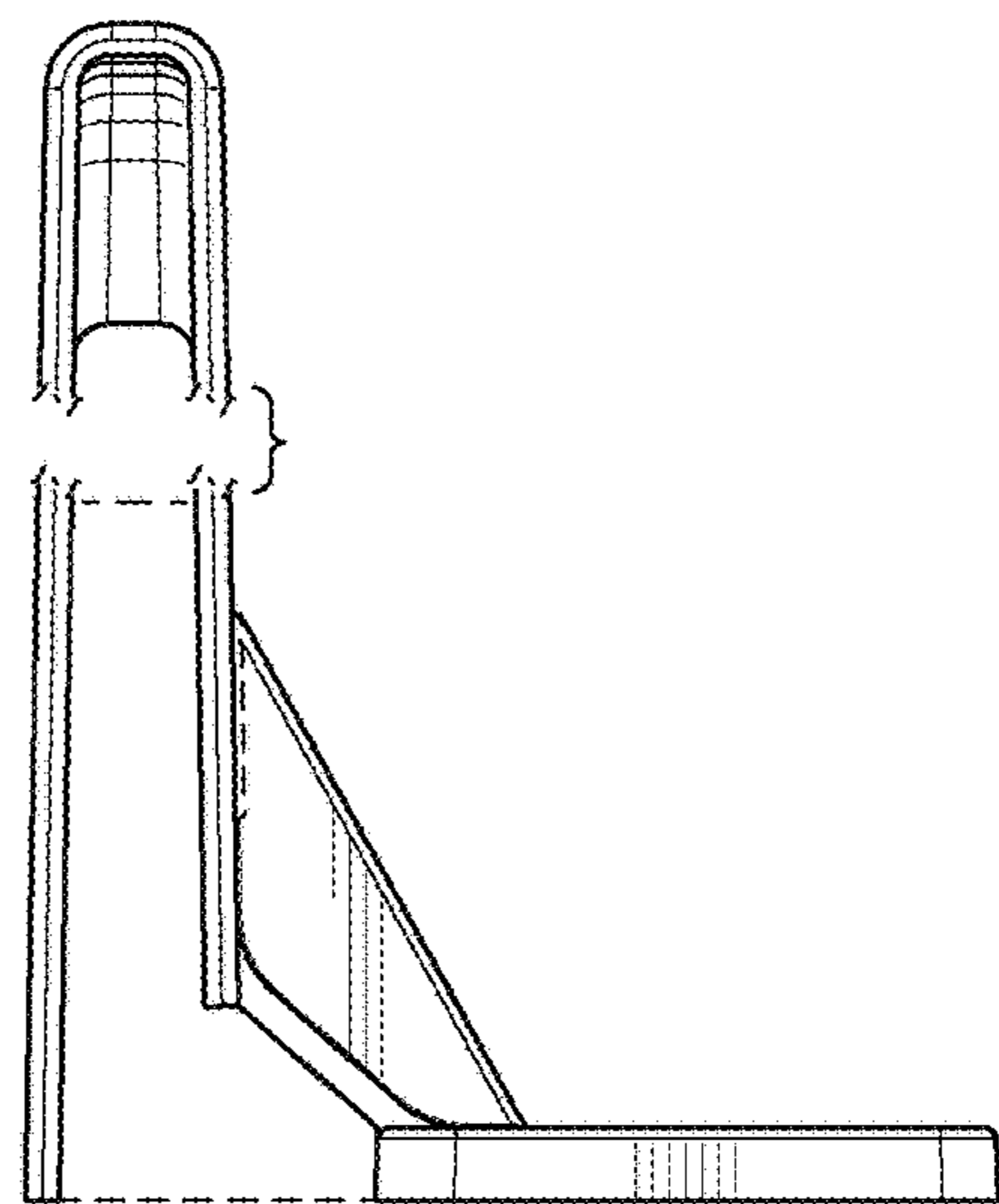


FIG. 5

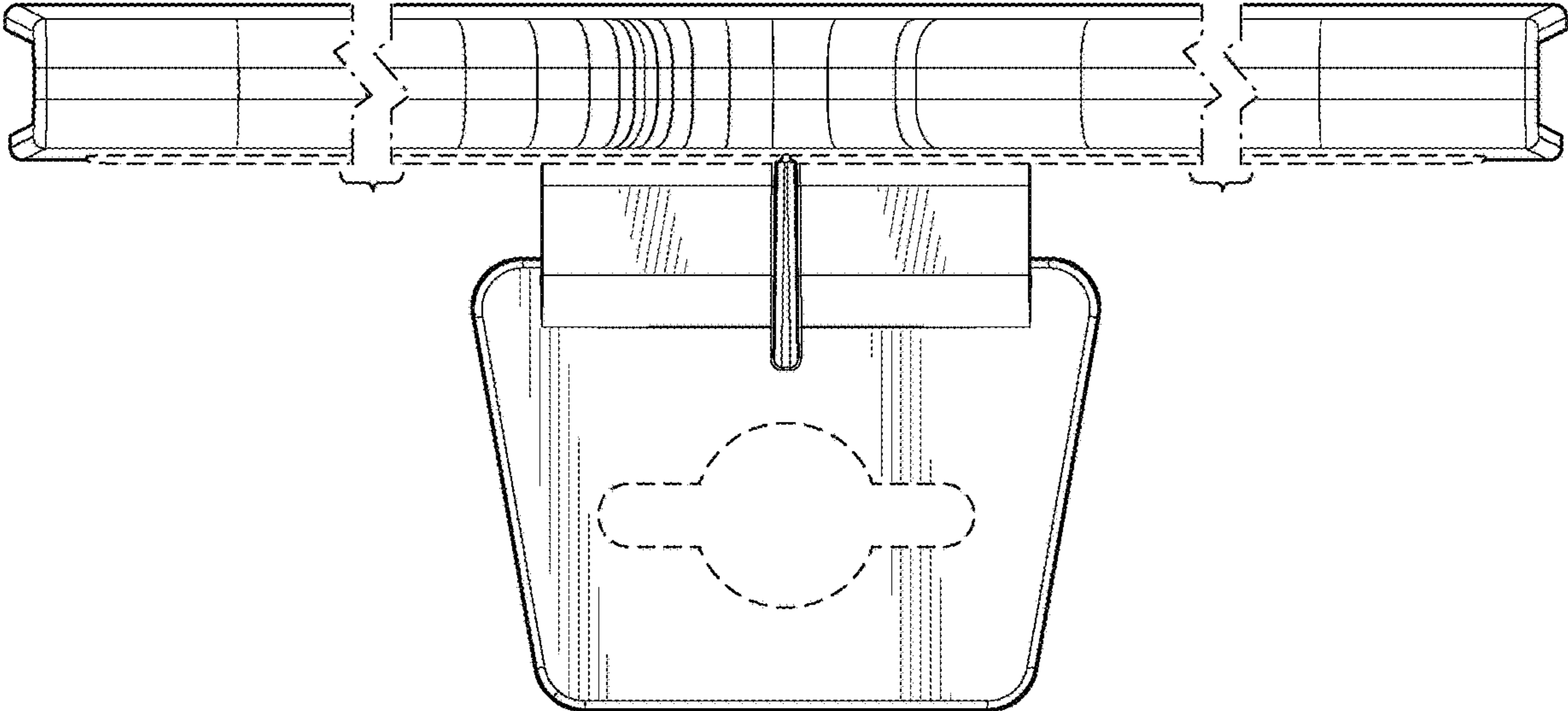


FIG. 6

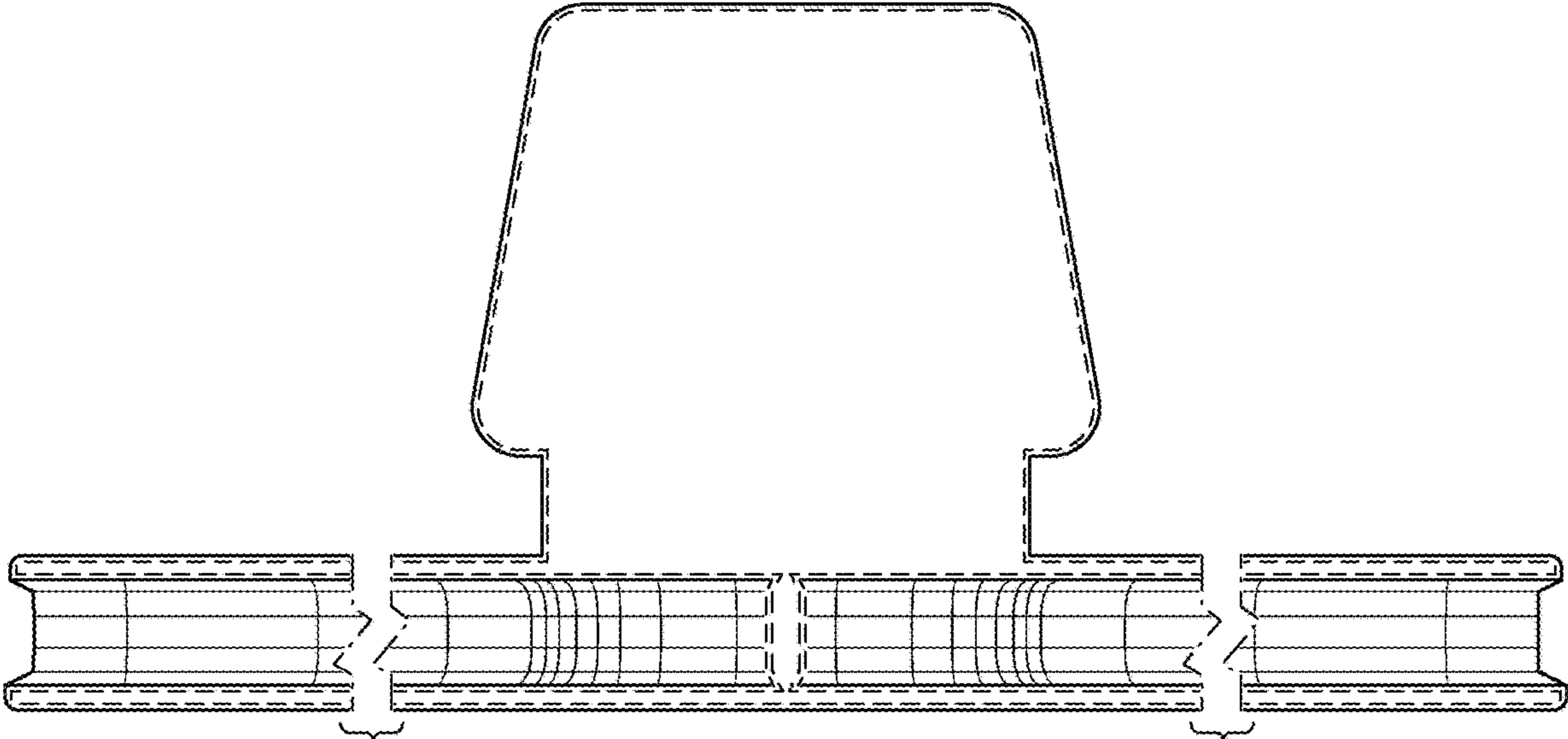


FIG. 7