

US00D912849S

(12) **United States Design Patent**
Muller et al.

(10) **Patent No.:** **US D912,849 S**
(45) **Date of Patent:** **** Mar. 9, 2021**

(54) **COLUMN**

(71) Applicant: **Starbucks Corporation**, Seattle, WA (US)

(72) Inventors: **Elisabeth G. M. Coolen Muller**, Seattle, WA (US); **Franciscus Johannes Paulus**, Seattle, WA (US)

(73) Assignee: **Starbucks Corporation**, Seattle, WA (US)

(**) Term: **15 Years**

(21) Appl. No.: **29/681,669**

(22) Filed: **Feb. 27, 2019**

(51) **LOC (13) Cl.** **25-01**

(52) **U.S. Cl.**
USPC **D25/126**

(58) **Field of Classification Search**
USPC D6/708, 708.1, 708.11, 708.13, 708.14, D6/708.15, 708.16, 708.17, 708.2, 708.21, D6/712; D25/119-126
CPC A47B 7/00; A47B 11/00; A47B 13/00; A47B 2013/024; A47B 2013/025; A47B 91/00; A47B 91/005; A47B 91/12; A47B 91/14; A47B 91/16
See application file for complete search history.

(56) **References Cited**

U.S. PATENT DOCUMENTS

D209,416 S * 11/1967 Smith D26/68
D352,118 S * 11/1994 Kipfmueller D25/126
D417,014 S * 11/1999 Tormanen D25/126
D485,374 S * 1/2004 McCue D25/126
D535,050 S * 1/2007 Acerbis D26/104

D578,223 S * 10/2008 Williams D25/38.1
D583,081 S * 12/2008 Ryan D25/126
D599,036 S * 8/2009 Baxter D25/122
D638,981 S * 5/2011 Friedman D26/118
D710,563 S * 8/2014 Panzer D34/35
D735,362 S * 7/2015 Kurtz D25/126
D873,592 S * 1/2020 Adams D6/708

FOREIGN PATENT DOCUMENTS

JP D1652848 * 2/2020

* cited by examiner

Primary Examiner — Leanne Was-Englehart

(74) *Attorney, Agent, or Firm* — Knobbe, Martens, Olson & Bear, LLP

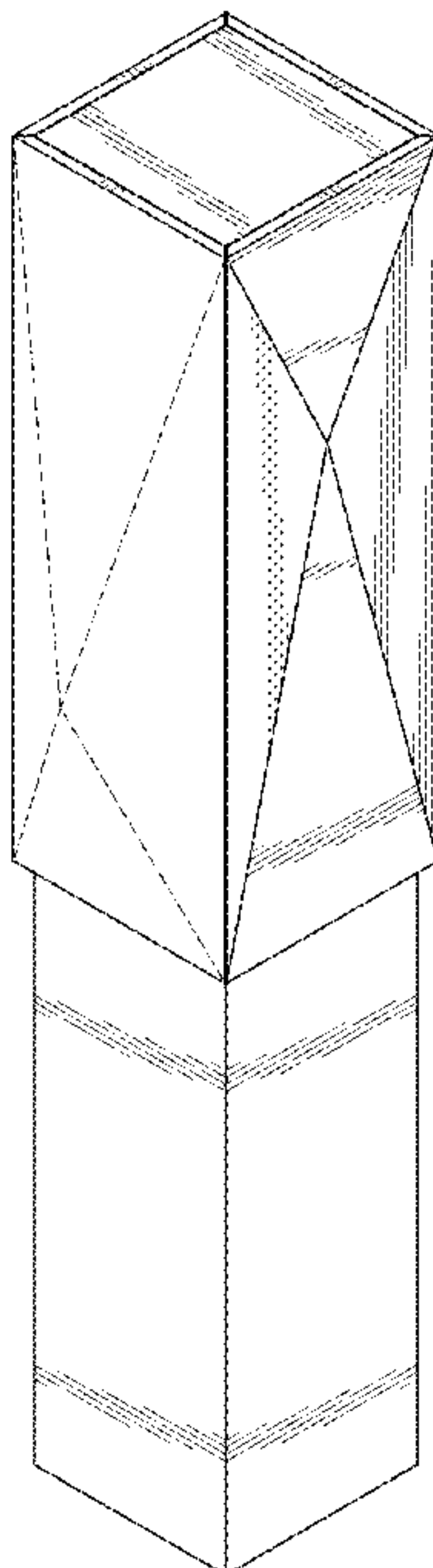
(57) **CLAIM**

The ornamental design for a column, as shown and described herein.

DESCRIPTION

FIG. 1 is a top perspective view of a column showing our design;
FIG. 2 is a bottom perspective view of the design;
FIG. 3 is a front elevation view of the design;
FIG. 4 is a rear elevation view of the design;
FIG. 5 is a right-side elevation view of the design;
FIG. 6 is a left-side elevation view of the design;
FIG. 7 is a top plan view of the design; and,
FIG. 8 is a bottom plan view of the design.
The broken lines shown in the figures represent portions of the column that form no part of the claimed design.

1 Claim, 7 Drawing Sheets



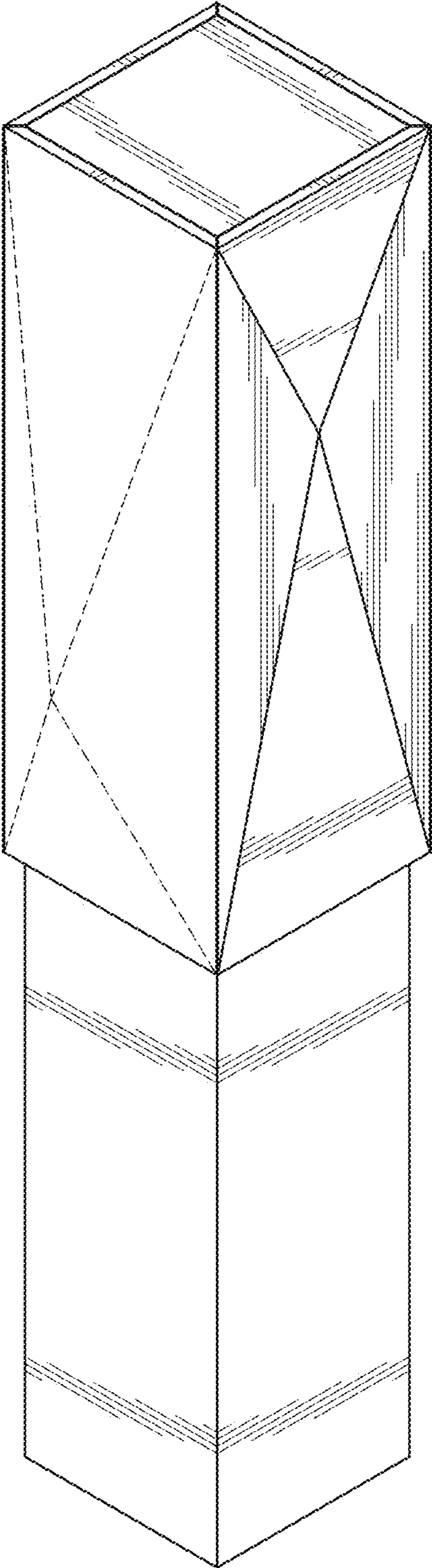


FIG. 1

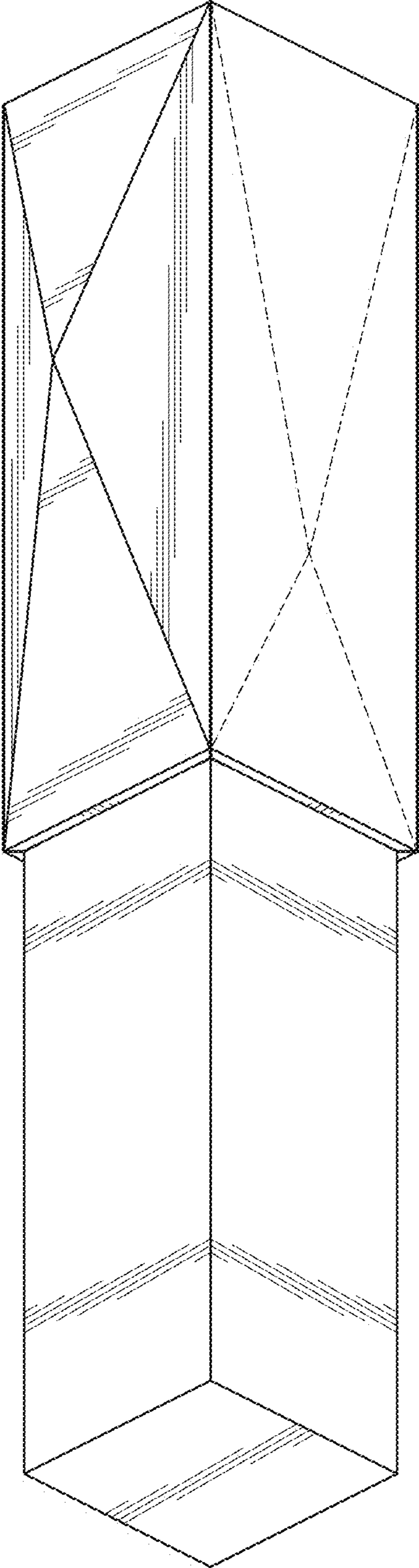


FIG. 2

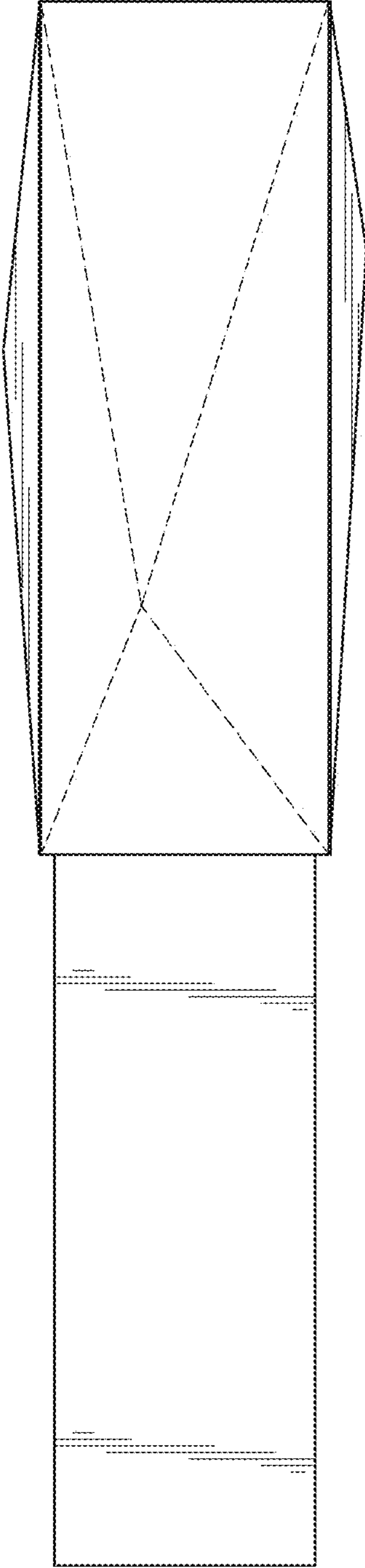


FIG. 3

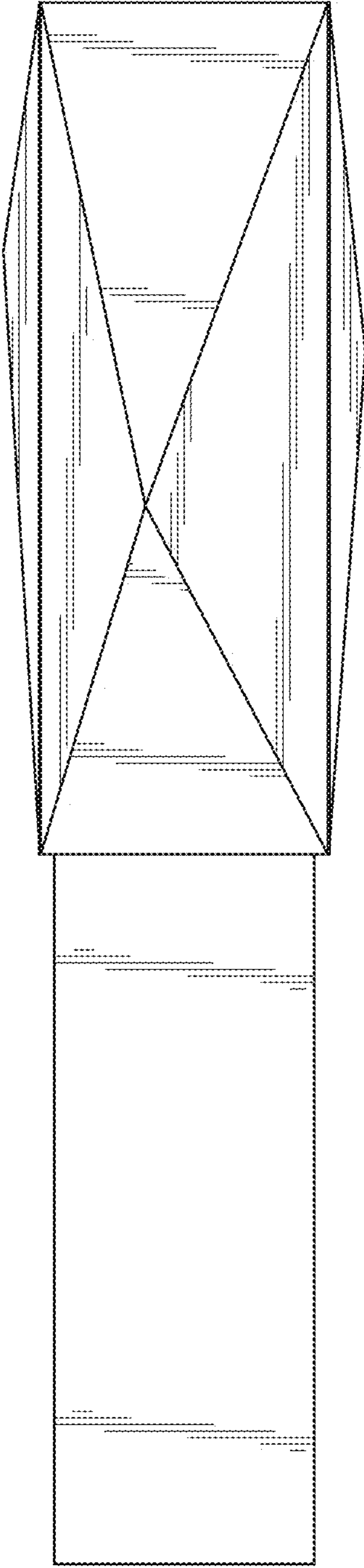


FIG. 4

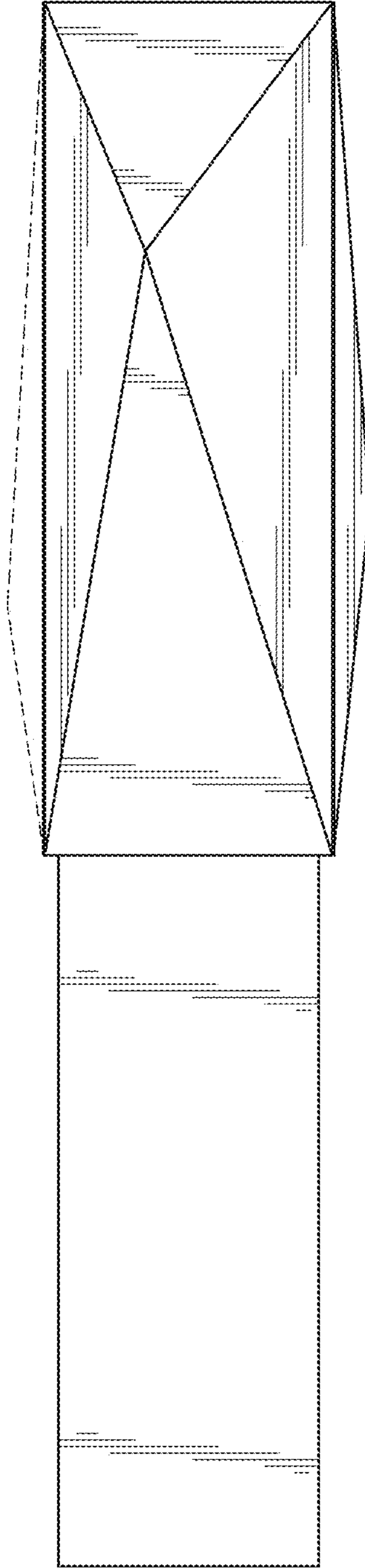


FIG. 5

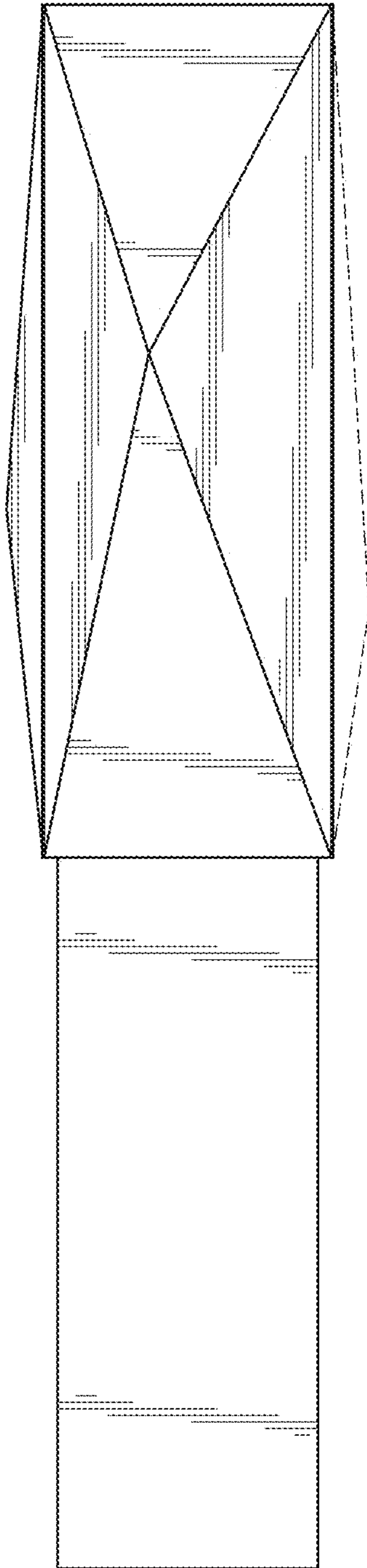


FIG. 6

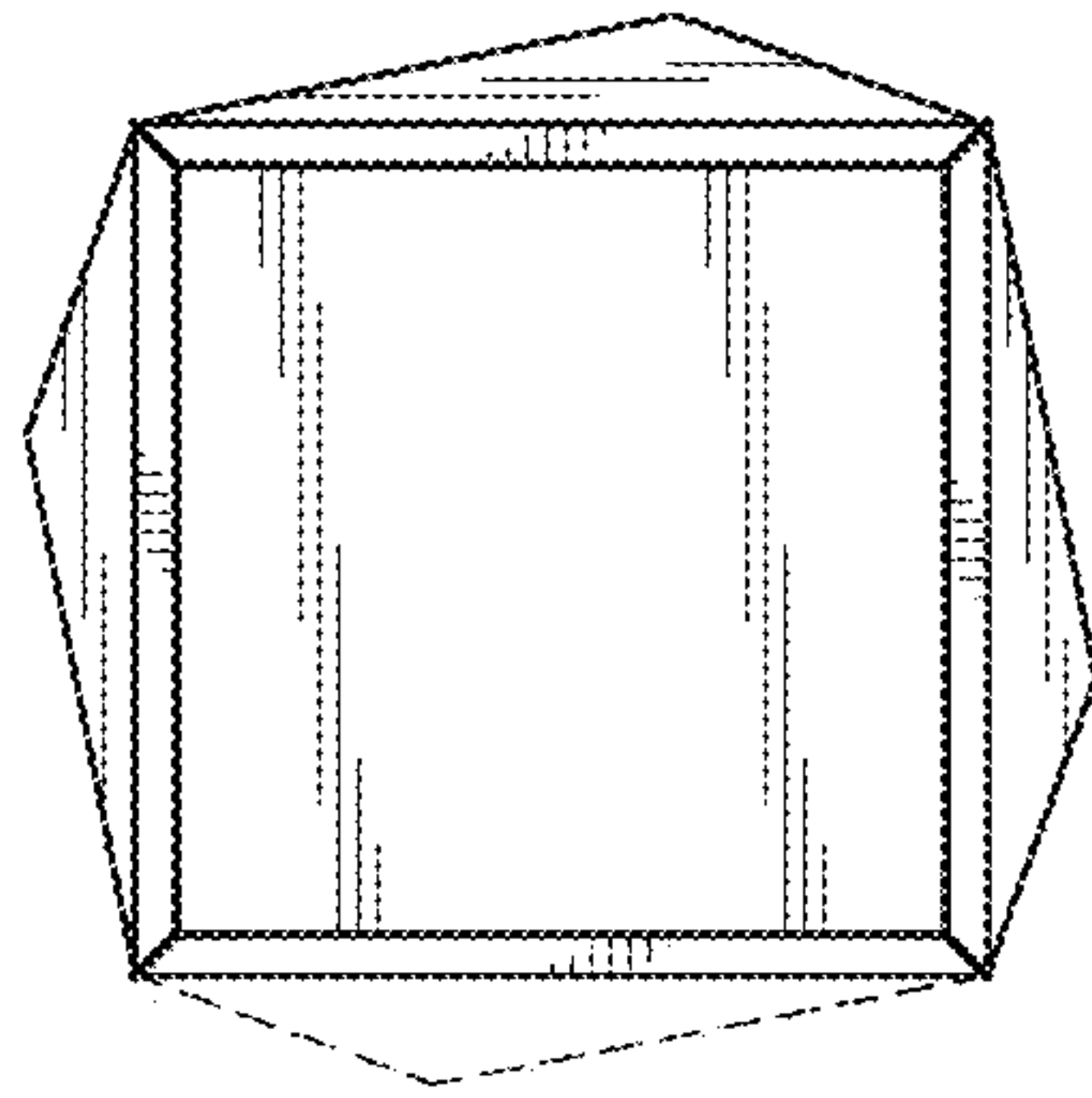


FIG. 7

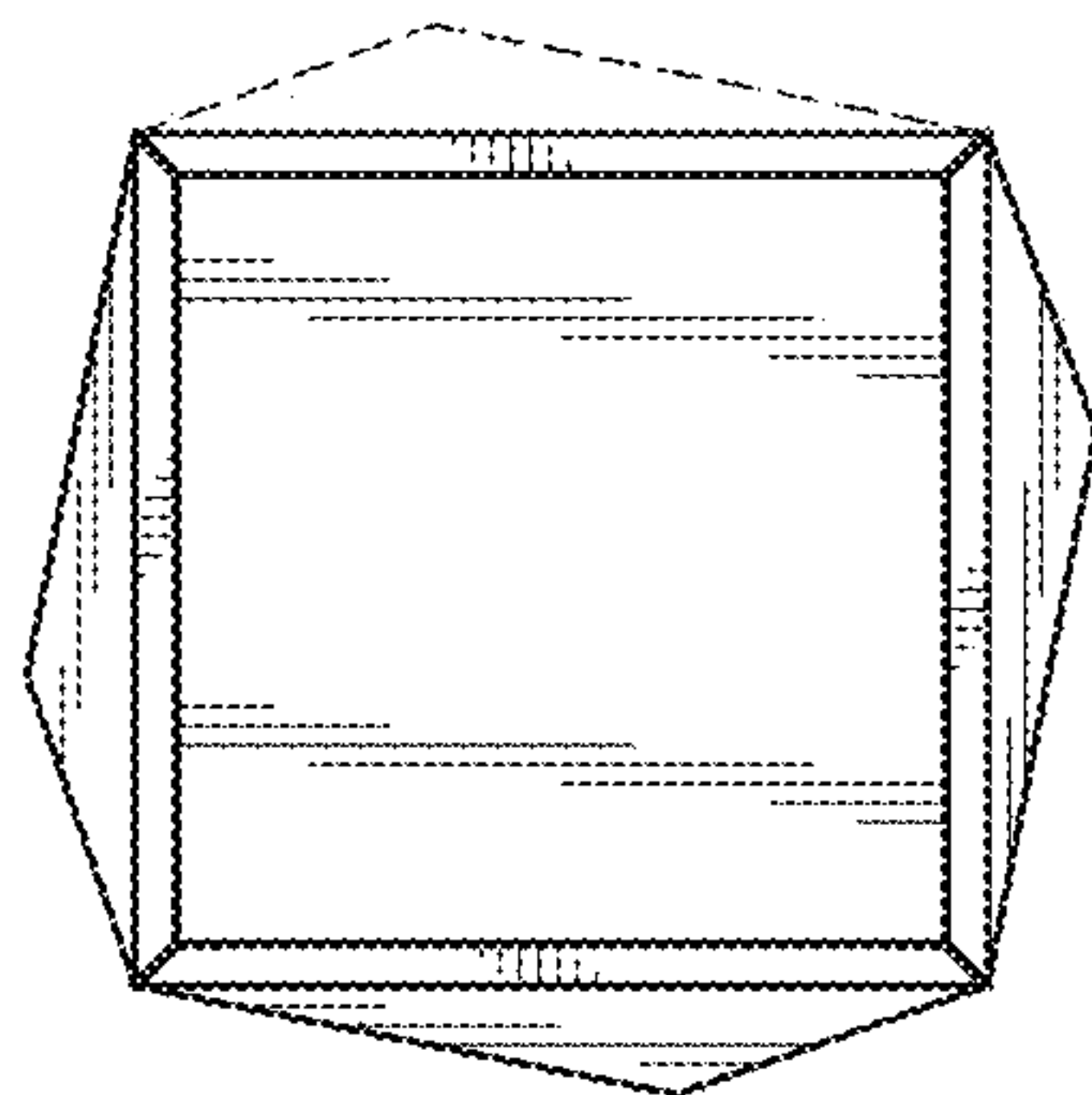


FIG. 8