



US00D912848S

(12) **United States Design Patent** (10) **Patent No.:** **US D912,848 S**
Maxfield et al. (45) **Date of Patent:** **** Mar. 9, 2021**

(54) **LADDER ACCESSORY**
(71) Applicant: **LITTLE GIANT LADDER SYSTEMS, LLC**, Springville, UT (US)

2016/0076304 A1 3/2016 Smith et al.
2017/0356244 A1 12/2017 Peterson et al.
2018/0230746 A1 8/2018 Maxfield et al.
2018/0298691 A1 10/2018 Cook et al.

(72) Inventors: **B. Scott Maxfield**, Spanish Fork, UT (US); **N. Ryan Moss**, Mapleton, UT (US); **Brian B. Russell**, Saratoga Springs, UT (US)

OTHER PUBLICATIONS

Design U.S. Appl. No. 29/667,356, filed Oct. 19, 2018.
Design U.S. Appl. No. 29/667,352, filed Oct. 19, 2018.
Design U.S. Appl. No. 29/667,354, filed Oct. 19, 2018.
Design U.S. Appl. No. 29/667,357, filed Oct. 19, 2018.
Design U.S. Appl. No. 29/679,726, filed Feb. 8, 2019.
Design U.S. Appl. No. 29/679,733, filed Feb. 8, 2019.
U.S. Appl. No. 62/514,348, filed Jun. 2, 2017.
U.S. Appl. No. 62/732,997, filed Sep. 18, 2018.

(73) Assignee: **LITTLE GIANT LADDER SYSTEMS, LLC**, Springville, UT (US)

(**) Term: **15 Years**

* cited by examiner

(21) Appl. No.: **29/679,733**

Primary Examiner — Gino Colan

(22) Filed: **Feb. 8, 2019**

(74) *Attorney, Agent, or Firm* — Dorsey & Whitney LLP

(51) **LOC (13) Cl.** **25-04**

(52) **U.S. Cl.**
USPC **D25/68**

(57) **CLAIM**

The ornamental design for a ladder accessory, as shown and described.

(58) **Field of Classification Search**
USPC D25/62–69; 182/206
CPC ... E06C 7/48; E06C 7/14; E06C 7/488; E06C 7/143; E06C 1/36; E06C 7/50; E06C 7/086; E06C 7/188; E06C 7/182
See application file for complete search history.

DESCRIPTION

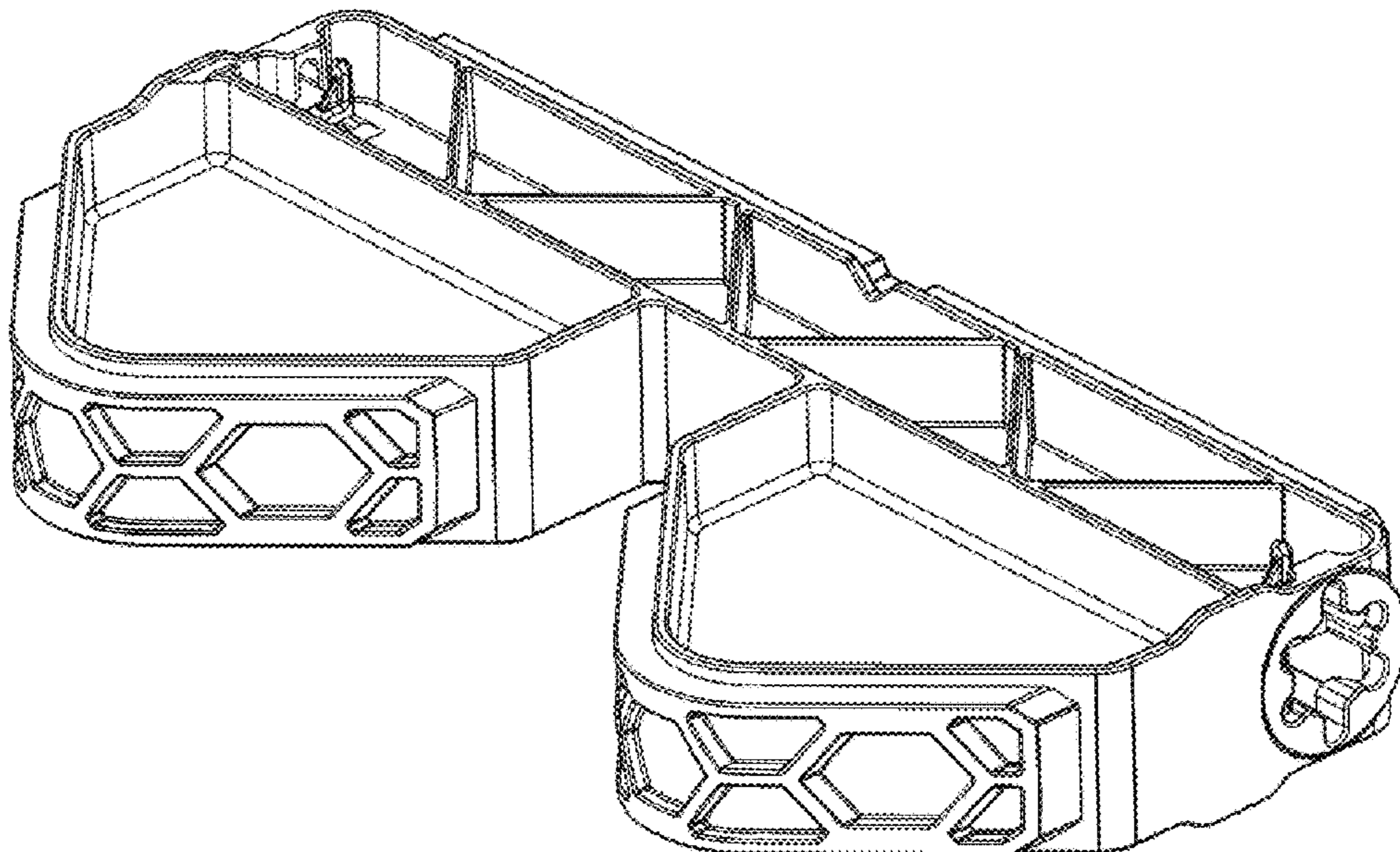
FIG. 1 is a front perspective view of a ladder accessory; FIG. 2 is rear perspective view of the ladder accessory shown in FIG. 1; FIG. 3 is a rear view of the ladder accessory shown in FIG. 1; FIG. 4 is a front view of the ladder accessory shown in FIG. 1; FIG. 5 is a right side view of the ladder accessory shown in FIG. 1; FIG. 6 is a left side view of the ladder accessory shown in FIG. 1; FIG. 7 is a top view of the ladder accessory shown in FIG. 1; and, FIG. 8 is a bottom view of the top cap shown in FIG. 1.

(56) **References Cited**

U.S. PATENT DOCUMENTS

D310,884 S * 9/1990 Patton D25/68
D340,773 S * 10/1993 Bartnicki D25/68
8,186,481 B2 5/2012 Moss et al.
9,016,434 B2 4/2015 Moss et al.
D766,461 S * 9/2016 Moss D25/64
D766,462 S * 9/2016 Moss D25/64
D766,463 S * 9/2016 Moss D25/68
10,487,576 B2 * 11/2019 Ballard E06C 7/06
10,487,578 B2 * 11/2019 Smith E06C 7/003
10,597,941 B2 * 3/2020 Moss E06C 7/46

1 Claim, 7 Drawing Sheets



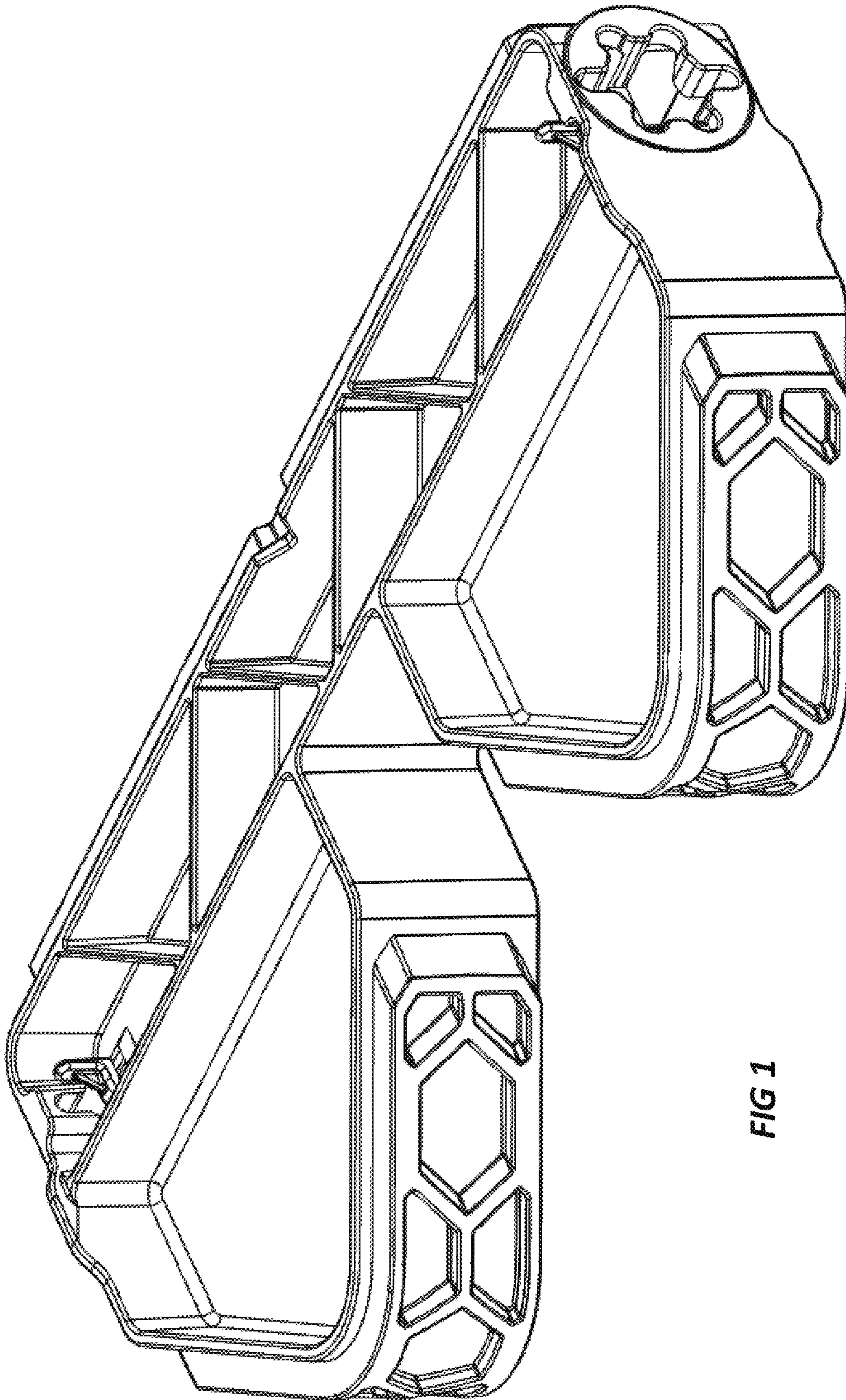


FIG 1

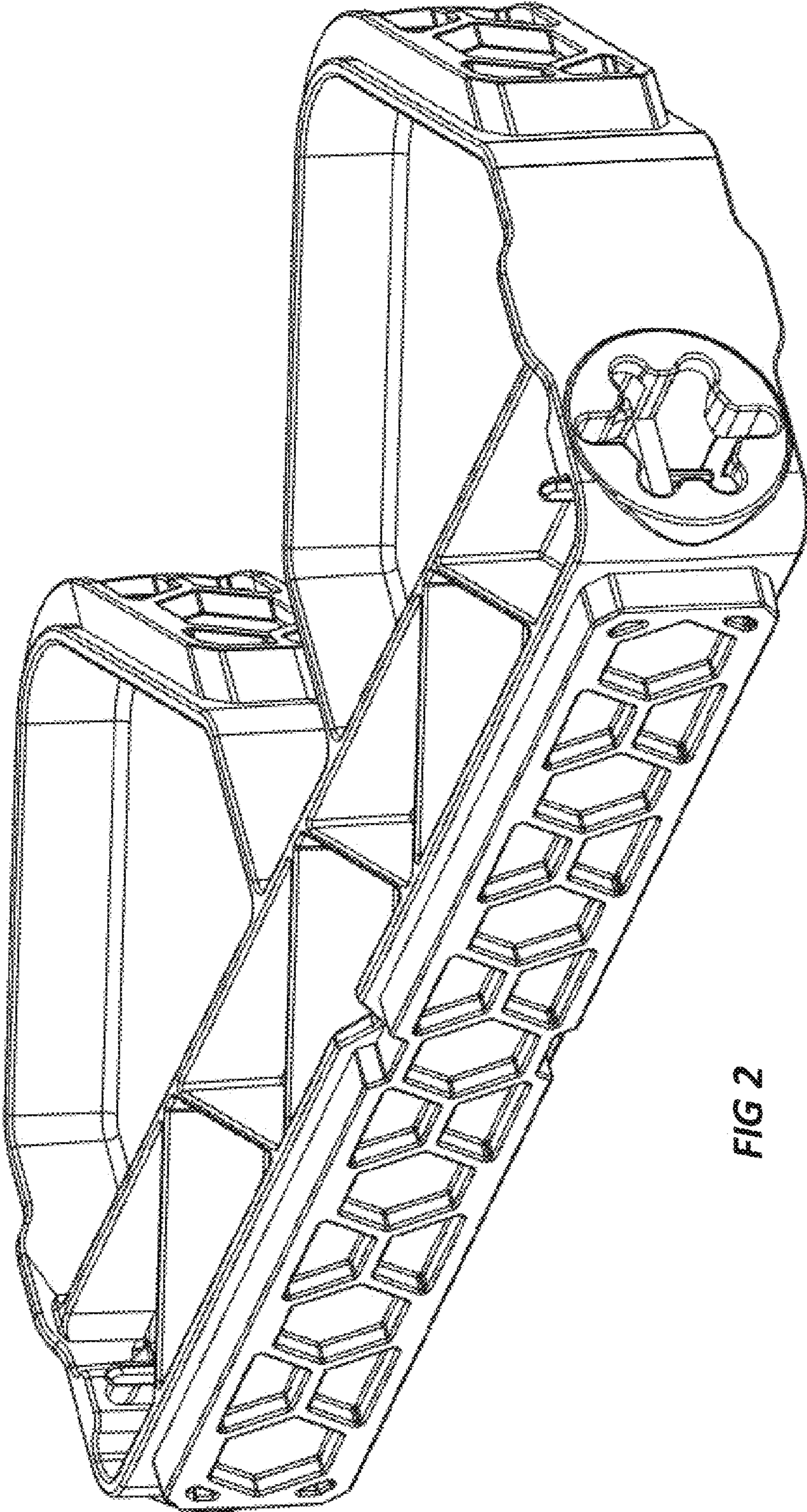


FIG 2

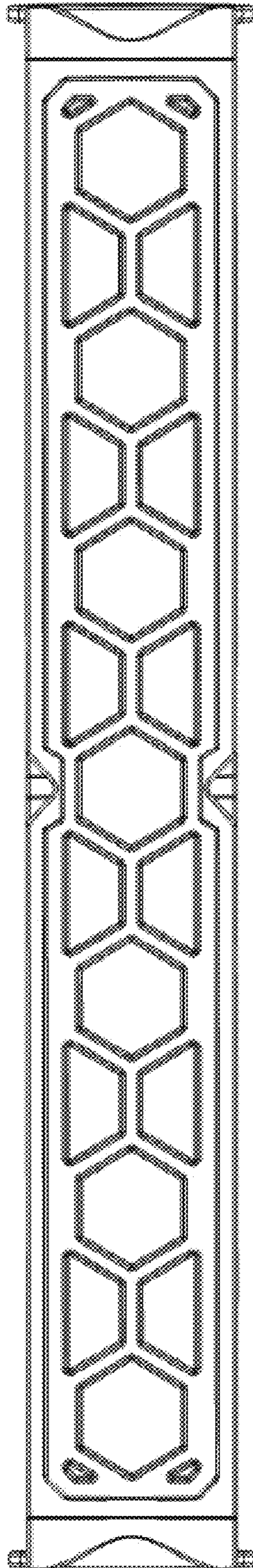


FIG 3

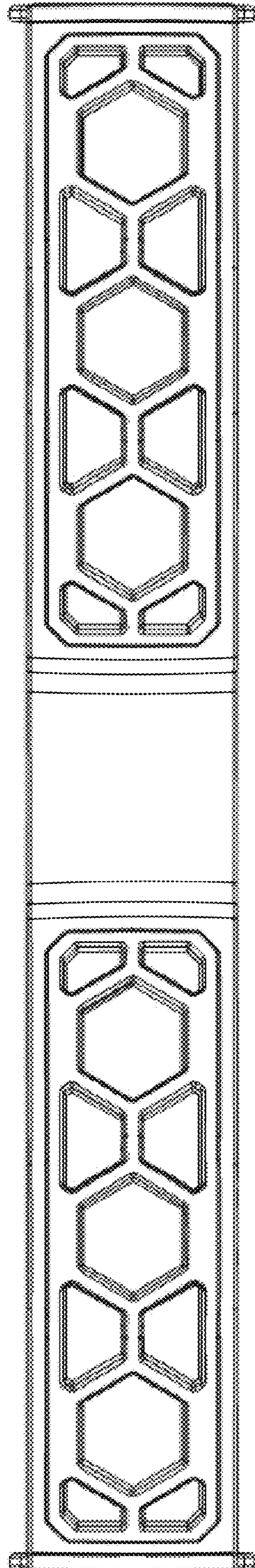


FIG 4

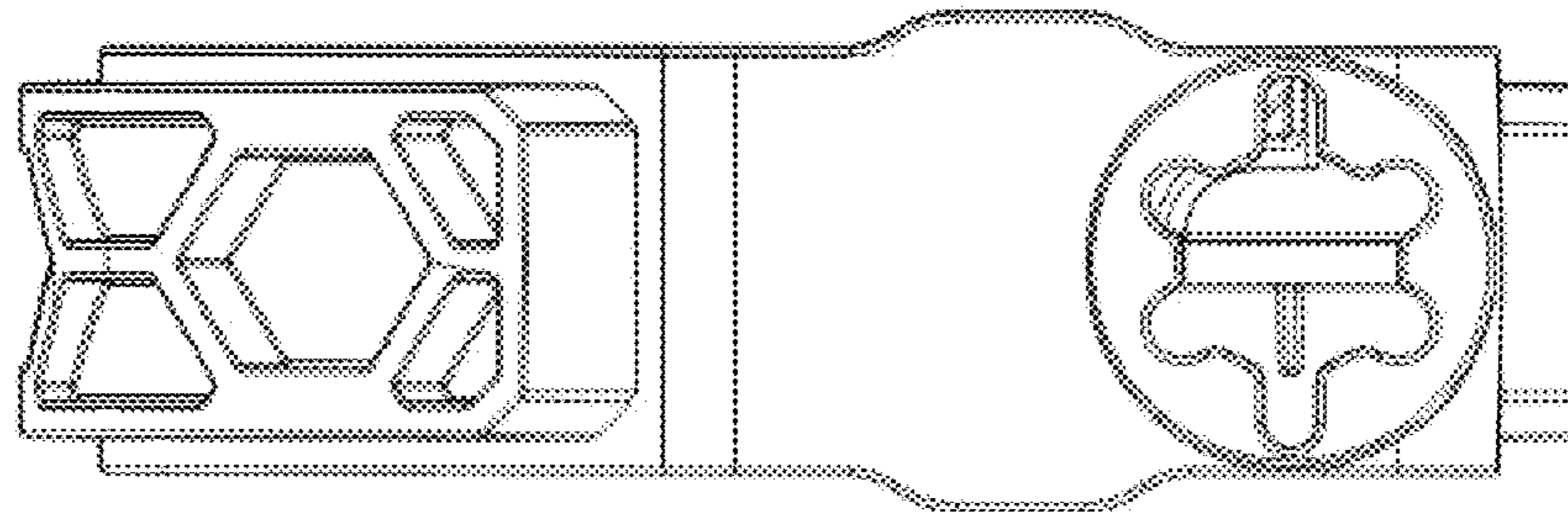


FIG 5

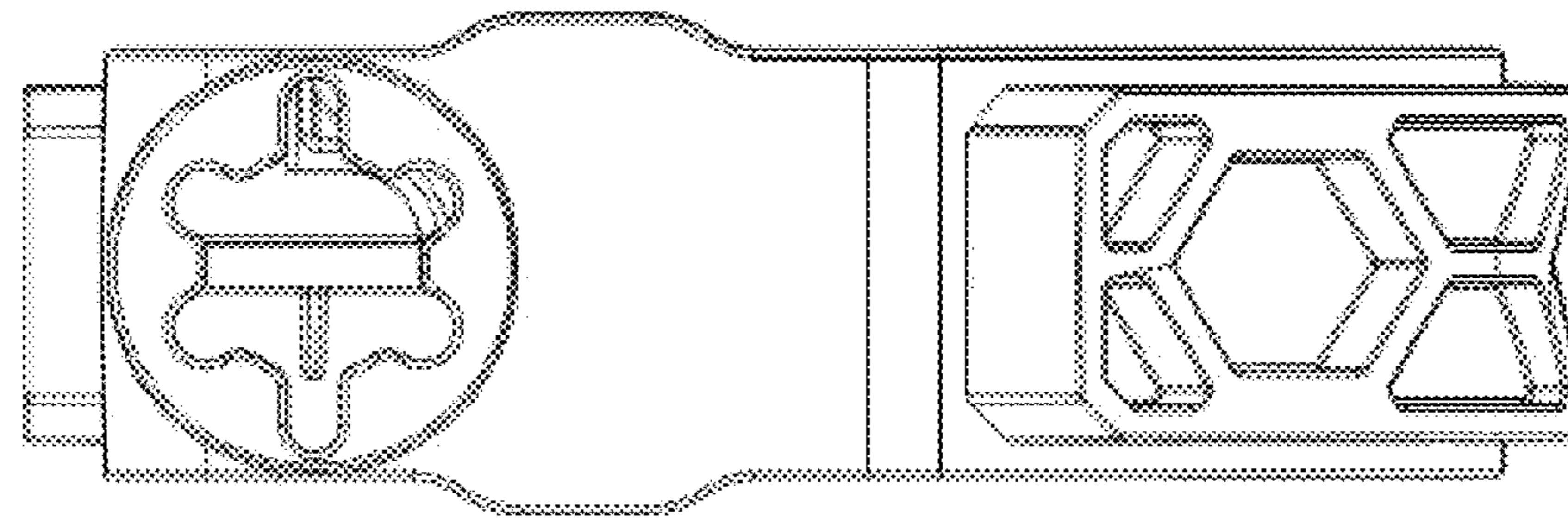


FIG 6

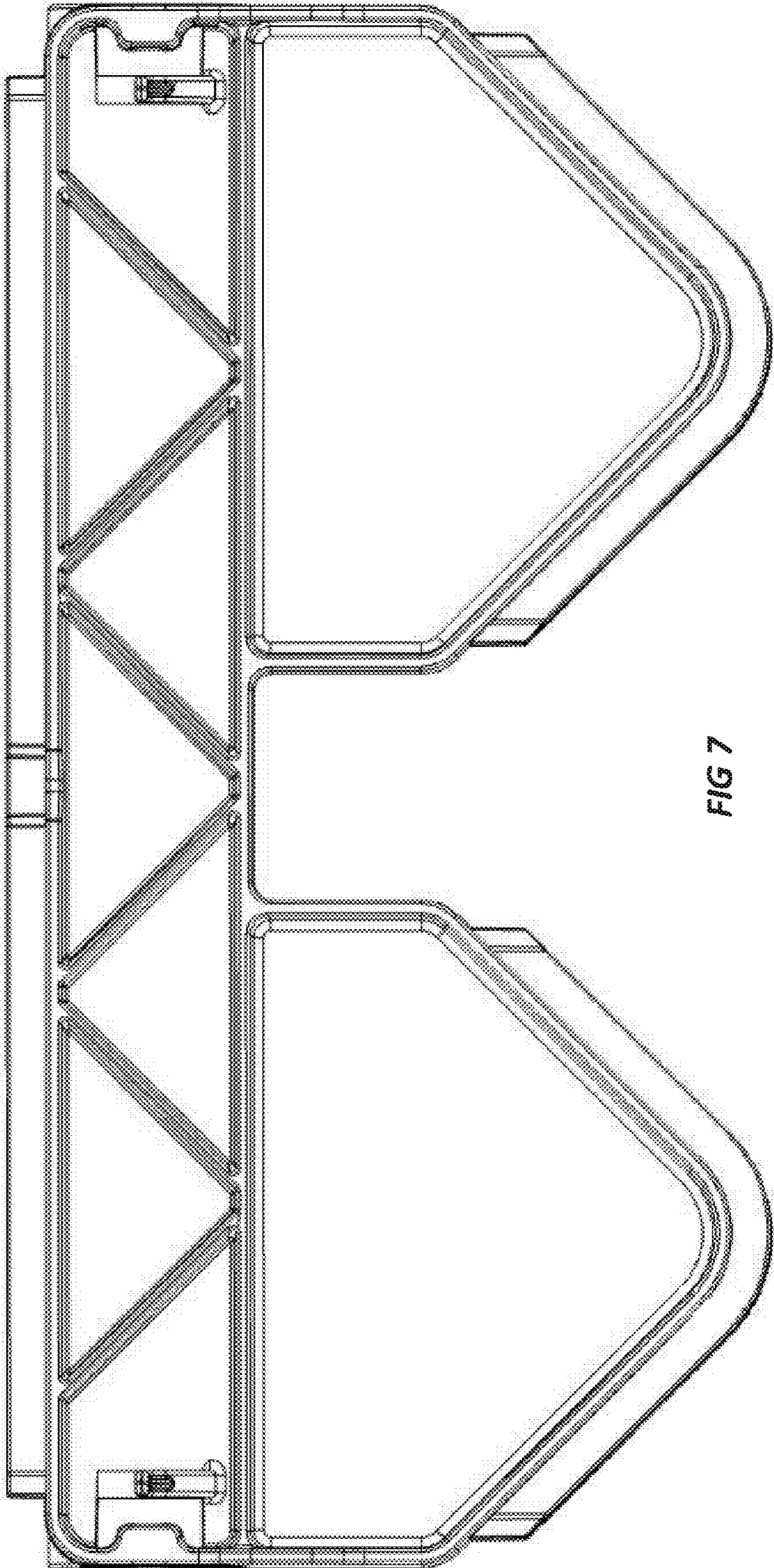


FIG 7

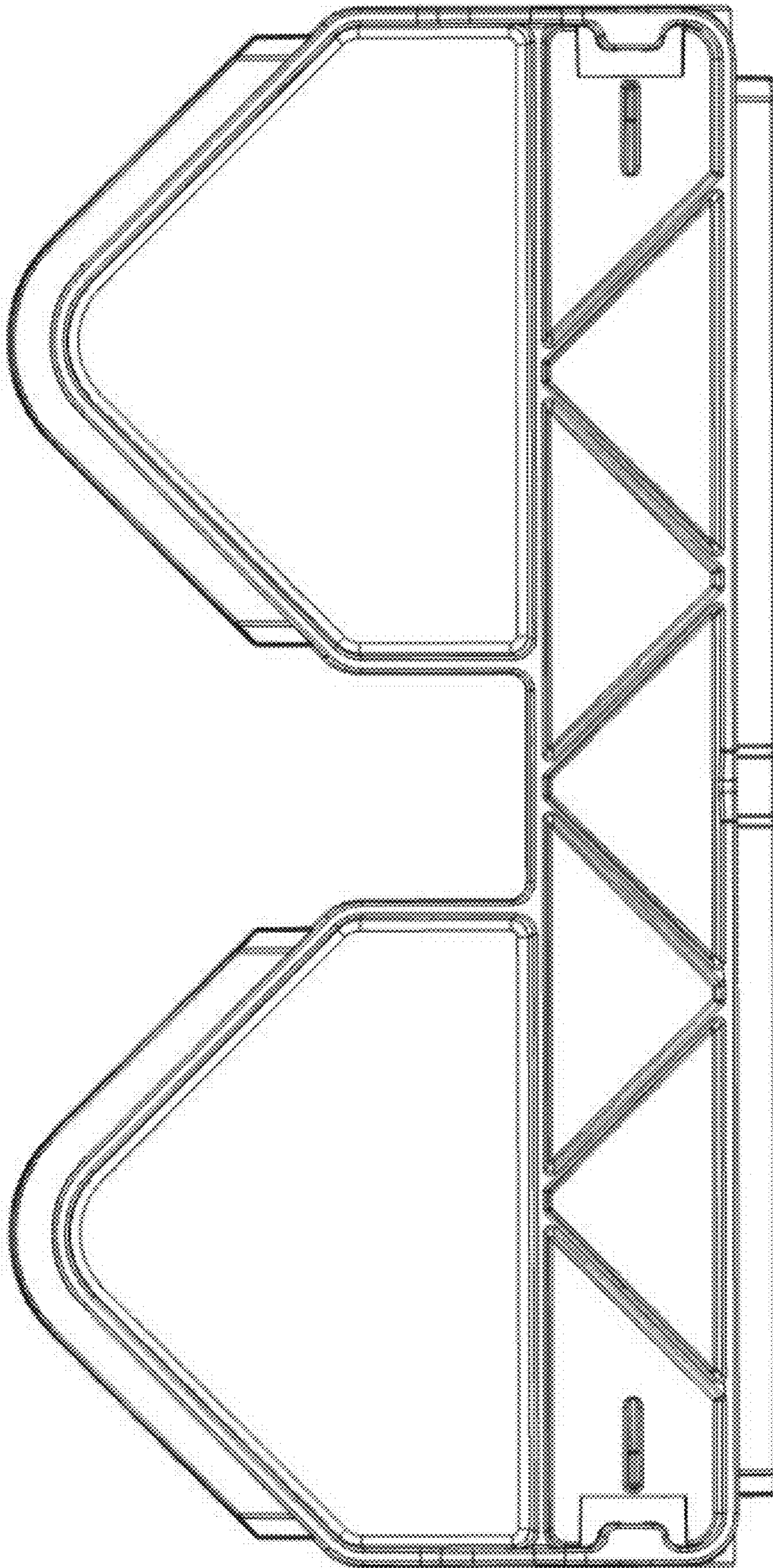


FIG 8