



US00D912847S

(12) **United States Design Patent** (10) **Patent No.:** **US D912,847 S**  
**Maxfield et al.** (45) **Date of Patent:** **\*\* Mar. 9, 2021**

(54) **TOP CAP FOR LADDER**  
(71) Applicant: **LITTLE GIANT LADDER SYSTEMS, LLC**, Springville, UT (US)

2017/0356244 A1 12/2017 Peterson et al.  
2018/0230746 A1 8/2018 Maxfield et al.  
2018/0298691 A1 10/2018 Cook et al.

(72) Inventors: **B. Scott Maxfield**, Spanish Fork, UT (US); **N. Ryan Moss**, Mapleton, UT (US); **Brian B. Russell**, Saratoga Springs, UT (US)

**OTHER PUBLICATIONS**

U.S. Appl. No. 29/667,356, filed Oct. 19, 2018.  
Design U.S. Appl. No. 29/667,352, filed Oct. 19, 2018.  
Design U.S. Appl. No. 29/667,354, filed Oct. 19, 2018.  
Design U.S. Appl. No. 29/667,357, filed Oct. 19, 2018.

(73) Assignee: **LITTLE GIANT LADDER SYSTEMS, LLC**, Springville, UT (US)

(Continued)

(\*\*) Term: **15 Years**

*Primary Examiner* — Gino Colan

(74) *Attorney, Agent, or Firm* — Dorsey & Whitney LLP

(21) Appl. No.: **29/667,356**

(57) **CLAIM**

The ornamental design for a top cap for ladder, as shown and described.

(22) Filed: **Oct. 19, 2018**

(51) **LOC (13) Cl.** ..... **25-04**

**DESCRIPTION**

(52) **U.S. Cl.**  
USPC ..... **D25/68**

(58) **Field of Classification Search**  
USPC ..... D25/62–69; 182/206  
CPC ... E06C 7/48; E06C 7/14; E06C 7/488; E06C 7/143; E06C 1/36; E06C 7/50; E06C 7/086; E06C 7/188; E06C 7/182  
See application file for complete search history.

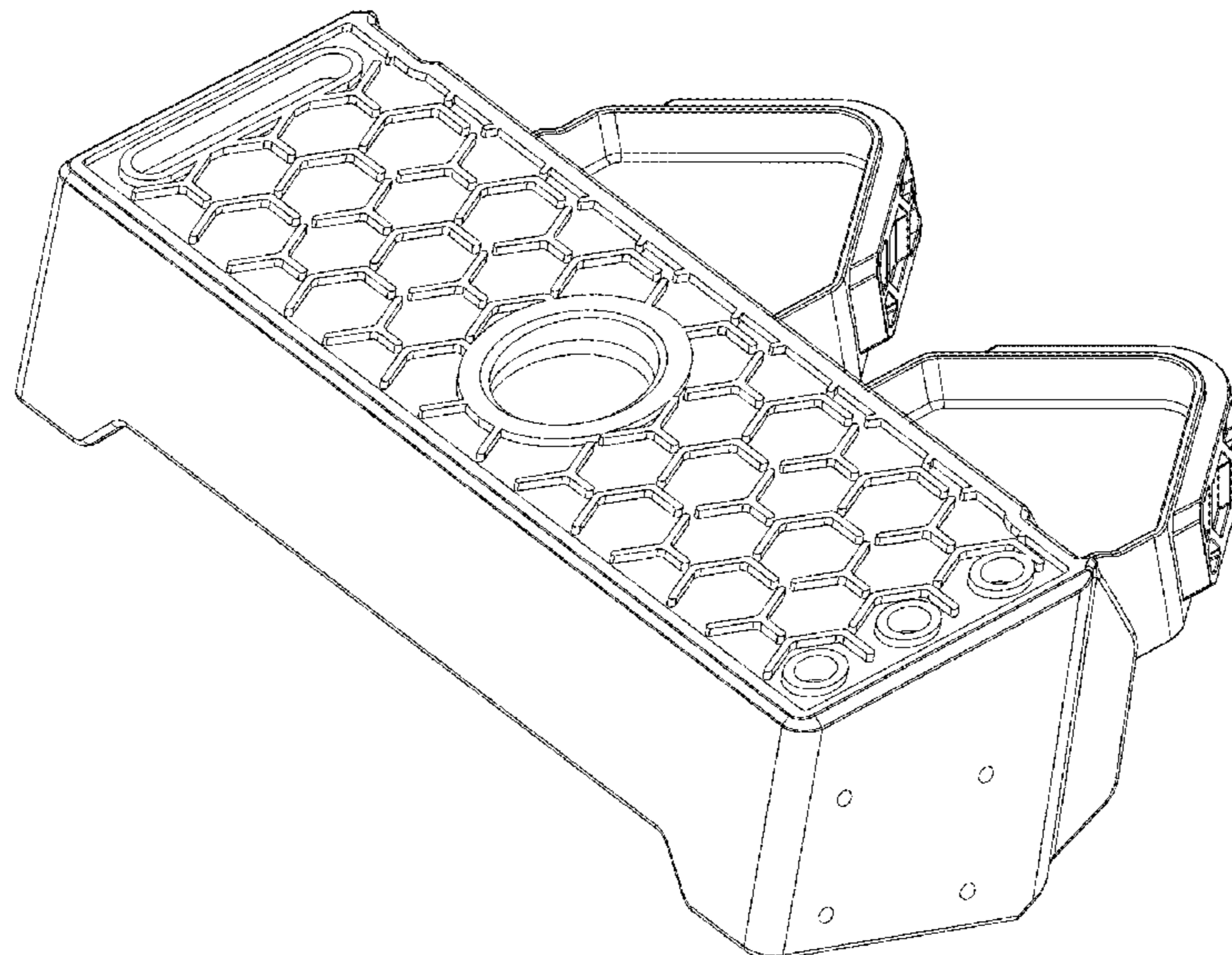
FIG. 1 is a front perspective view of a top cap for ladder showing our new design;  
FIG. 2 is rear perspective view of the top cap for ladder shown in FIG. 1;  
FIG. 3 is a front view of the top cap for ladder shown in FIG. 1;  
FIG. 4 is a rear view of the top cap for ladder shown in FIG. 1;  
FIG. 5 is a is right side view of the top cap for ladder shown in FIG. 1;  
FIG. 6 is a left side view of the top cap for ladder shown in FIG. 1;  
FIG. 7 is a top side view of the top cap for ladder shown in FIG. 1; and,  
FIG. 8 is a bottom view of the top cap for ladder shown in FIG. 1.  
The broken lines shown in the figures are included for the purpose of illustrating portions of the top cap for ladder which form no part of the claimed design.

(56) **References Cited**

**U.S. PATENT DOCUMENTS**

D310,884	S *	9/1990	Patton	.....	D25/68
D340,773	S *	10/1993	Bartnicki	.....	D25/68
8,186,481	B2	5/2012	Moss et al.		
9,016,434	B2	4/2015	Moss et al.		
D766,461	S *	9/2016	Moss	.....	D25/64
D766,462	S *	9/2016	Moss	.....	D25/64
D766,463	S *	9/2016	Moss	.....	D25/68
10,487,576	B2 *	11/2019	Ballard	.....	E06C 7/06
10,487,578	B2 *	11/2019	Smith	.....	E06C 7/003
10,597,941	B2 *	3/2020	Moss	.....	E06C 1/16
2016/0076304	A1	3/2016	Smith et al.		

**1 Claim, 8 Drawing Sheets**



(56)

**References Cited**

OTHER PUBLICATIONS

Design U.S. Appl. No. 29/679,726, filed Feb. 8, 2019.

Design U.S. Appl. No. 29/679,733, filed Feb. 8, 2019.

U.S. Appl. No. 62/514,348, filed Jun. 2, 2017.

U.S. Appl. No. 62/732,997, filed Sep. 18, 2018.

\* cited by examiner

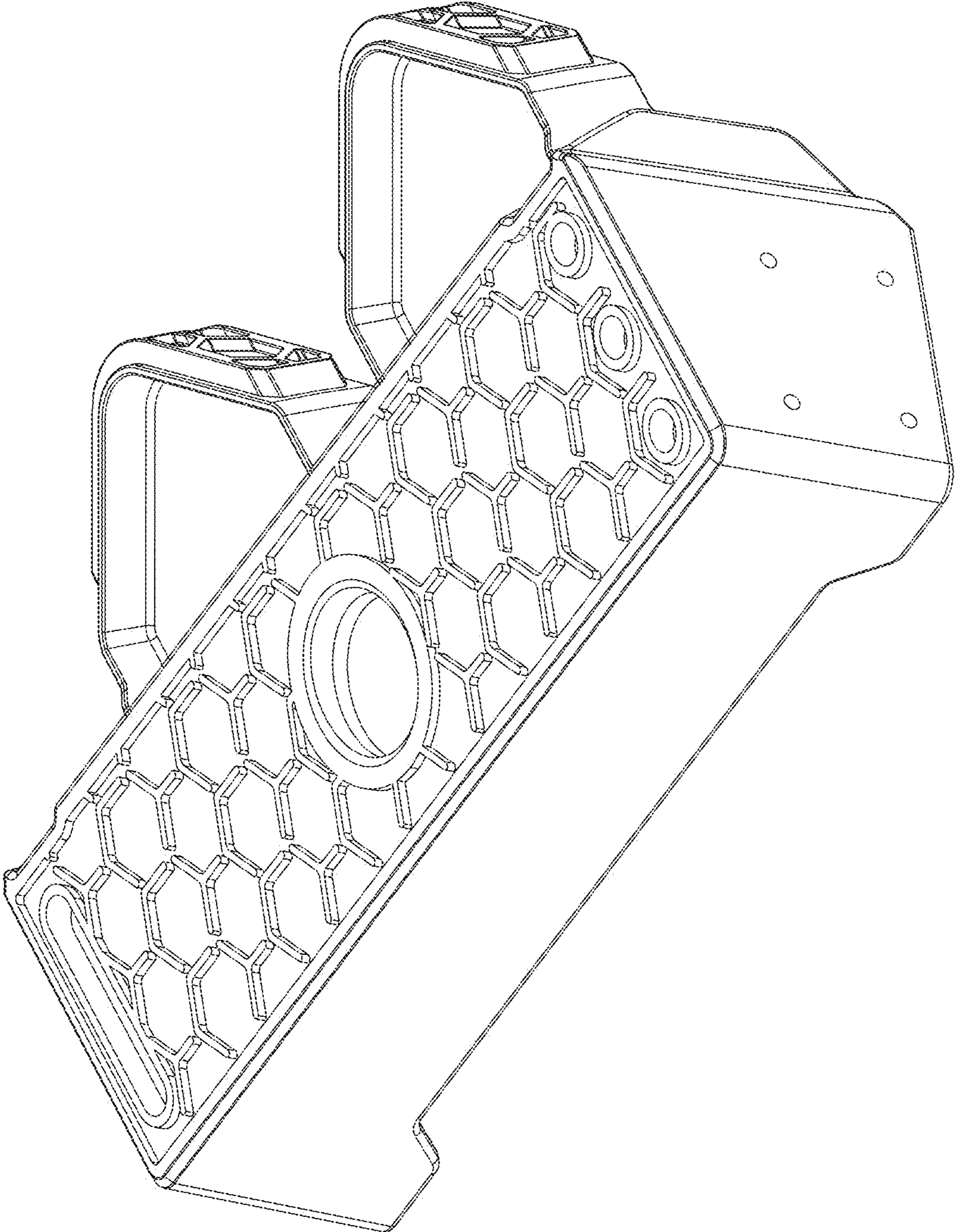


FIG. 1



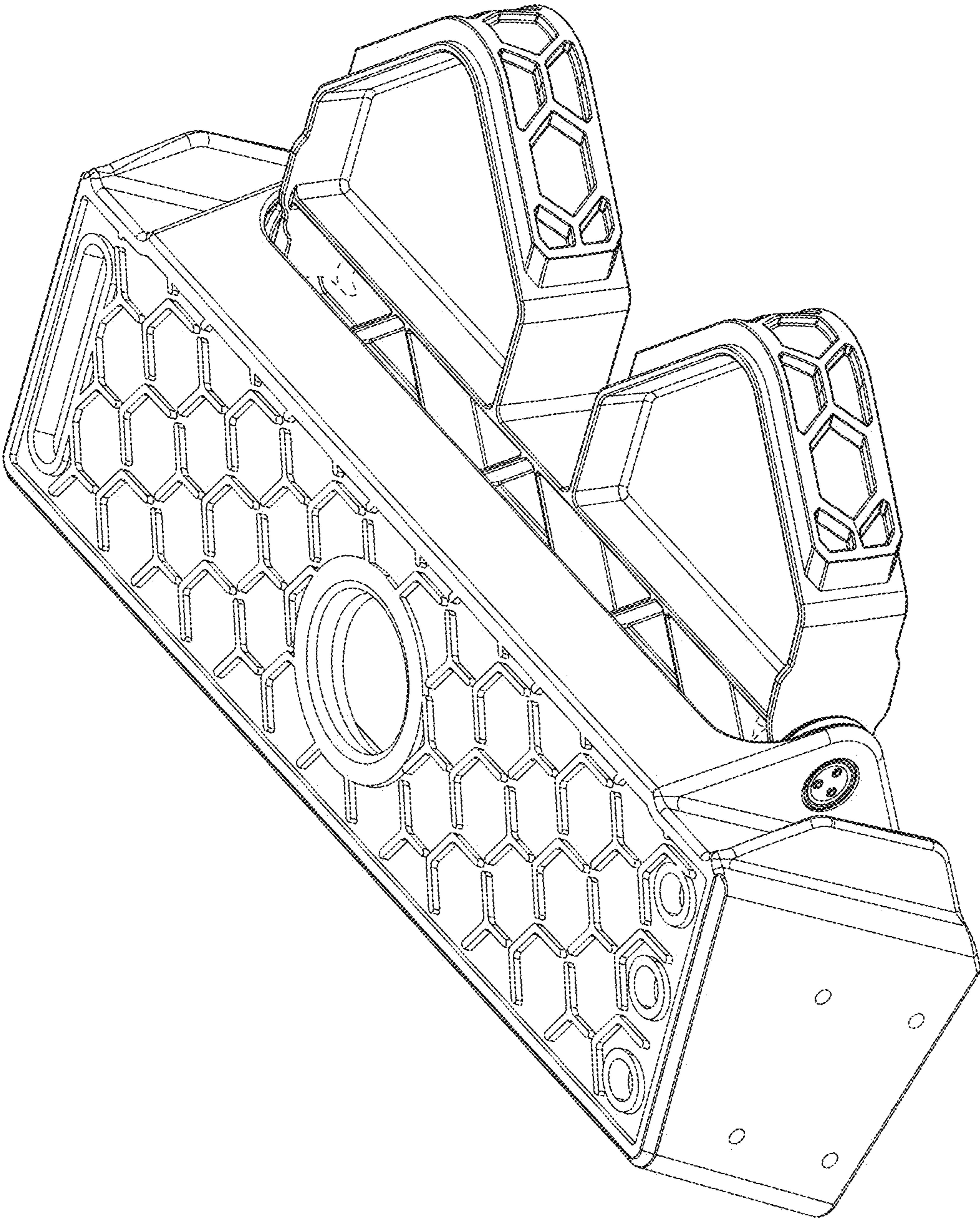


FIG. 2

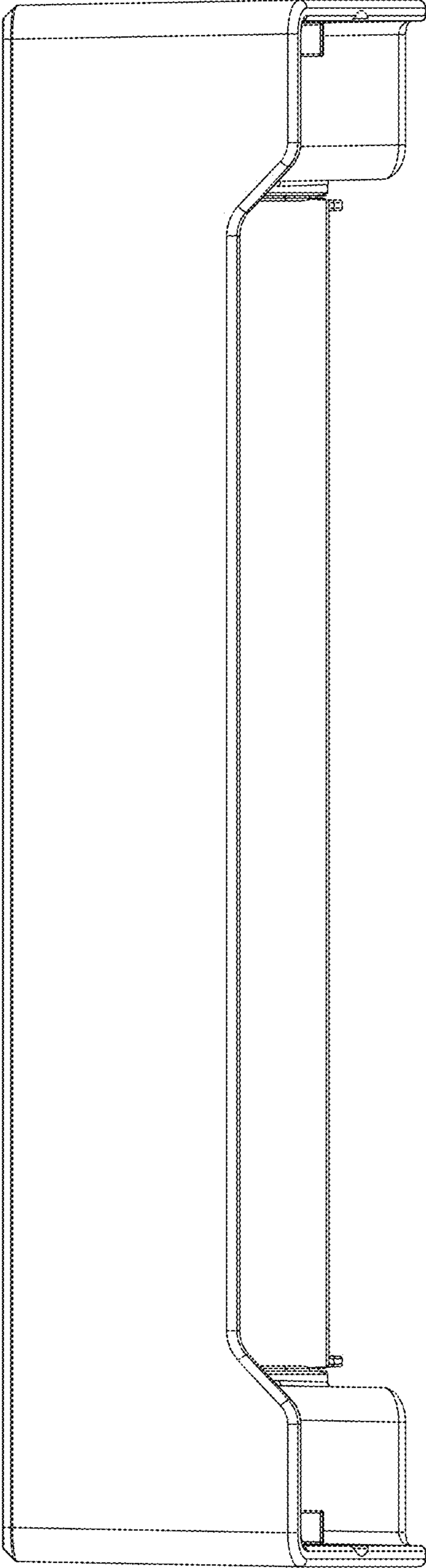


FIG. 3

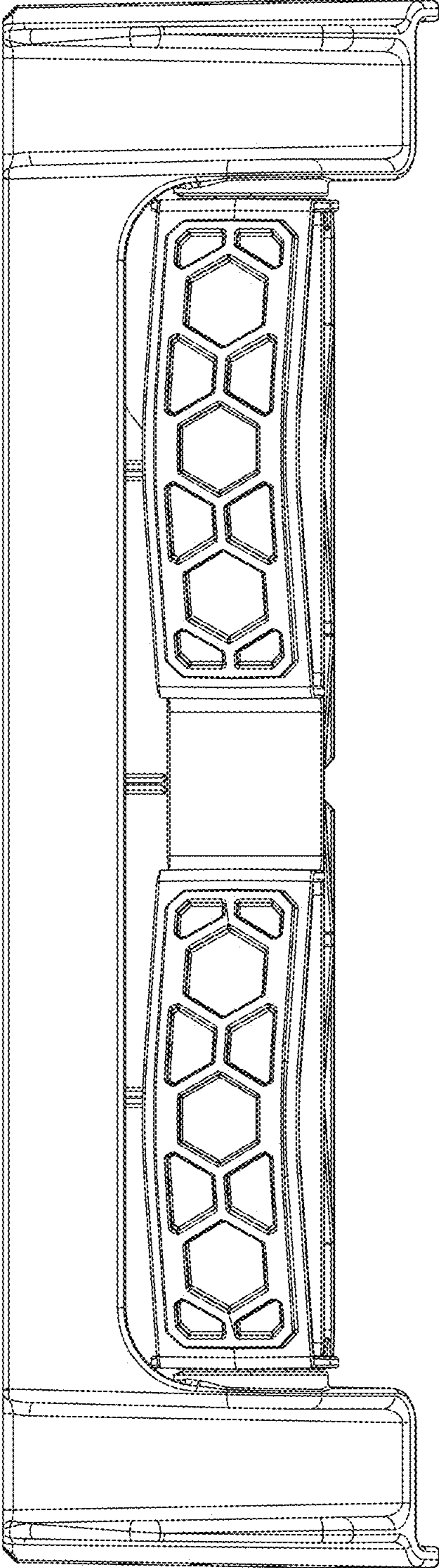


FIG. 4

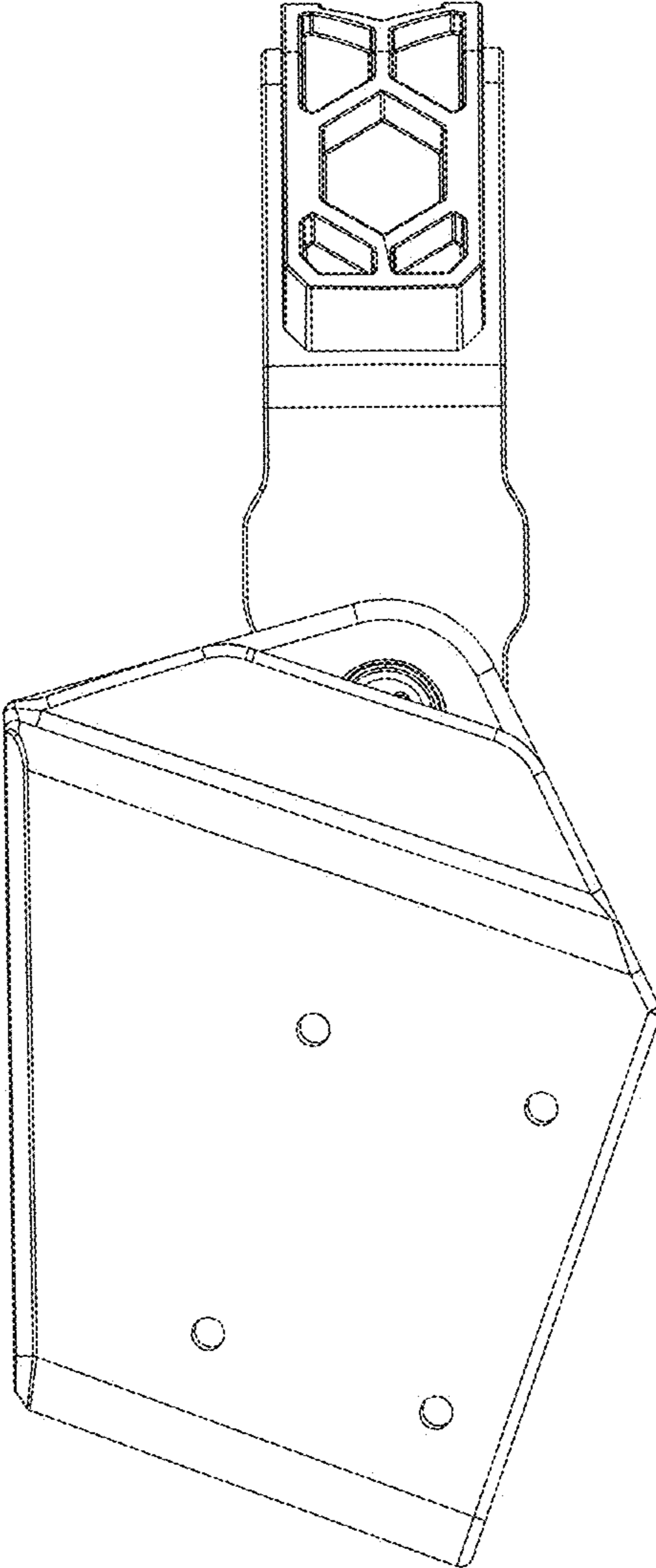


FIG. 5



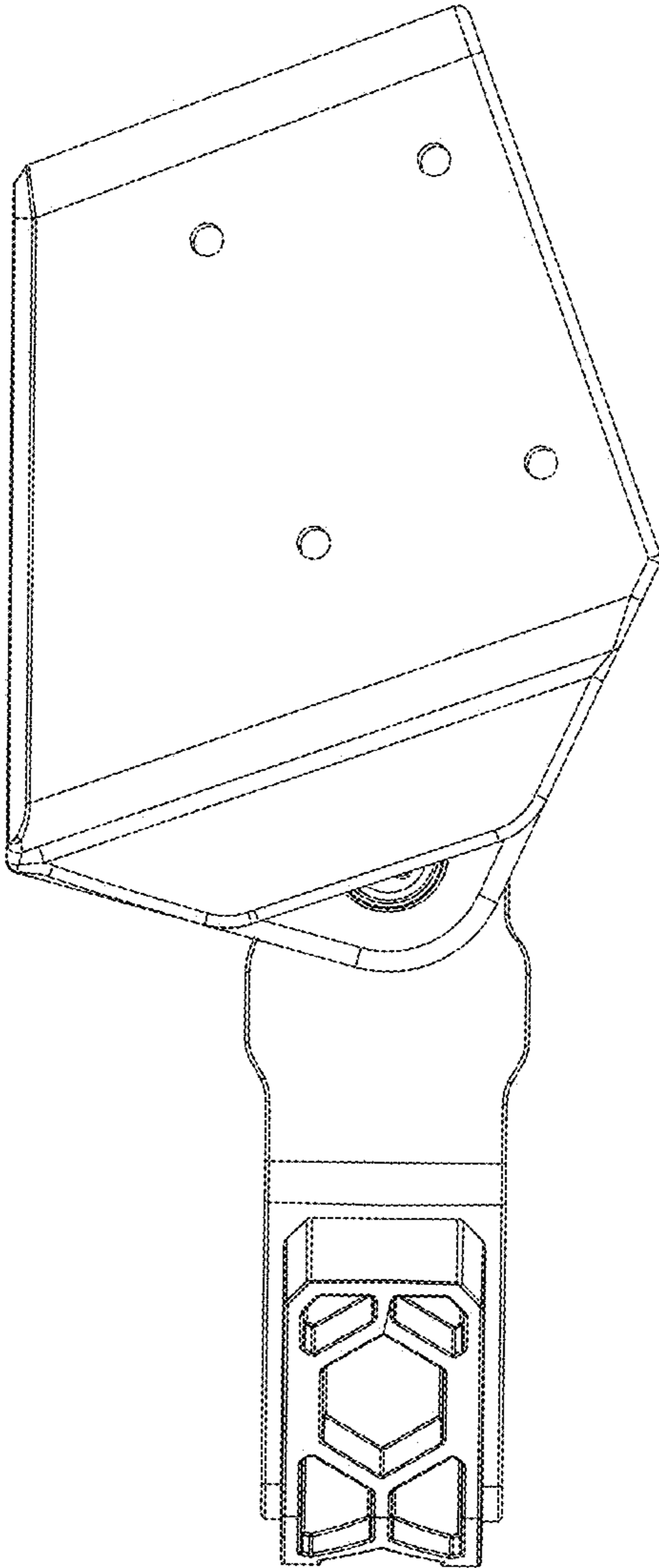


FIG. 6



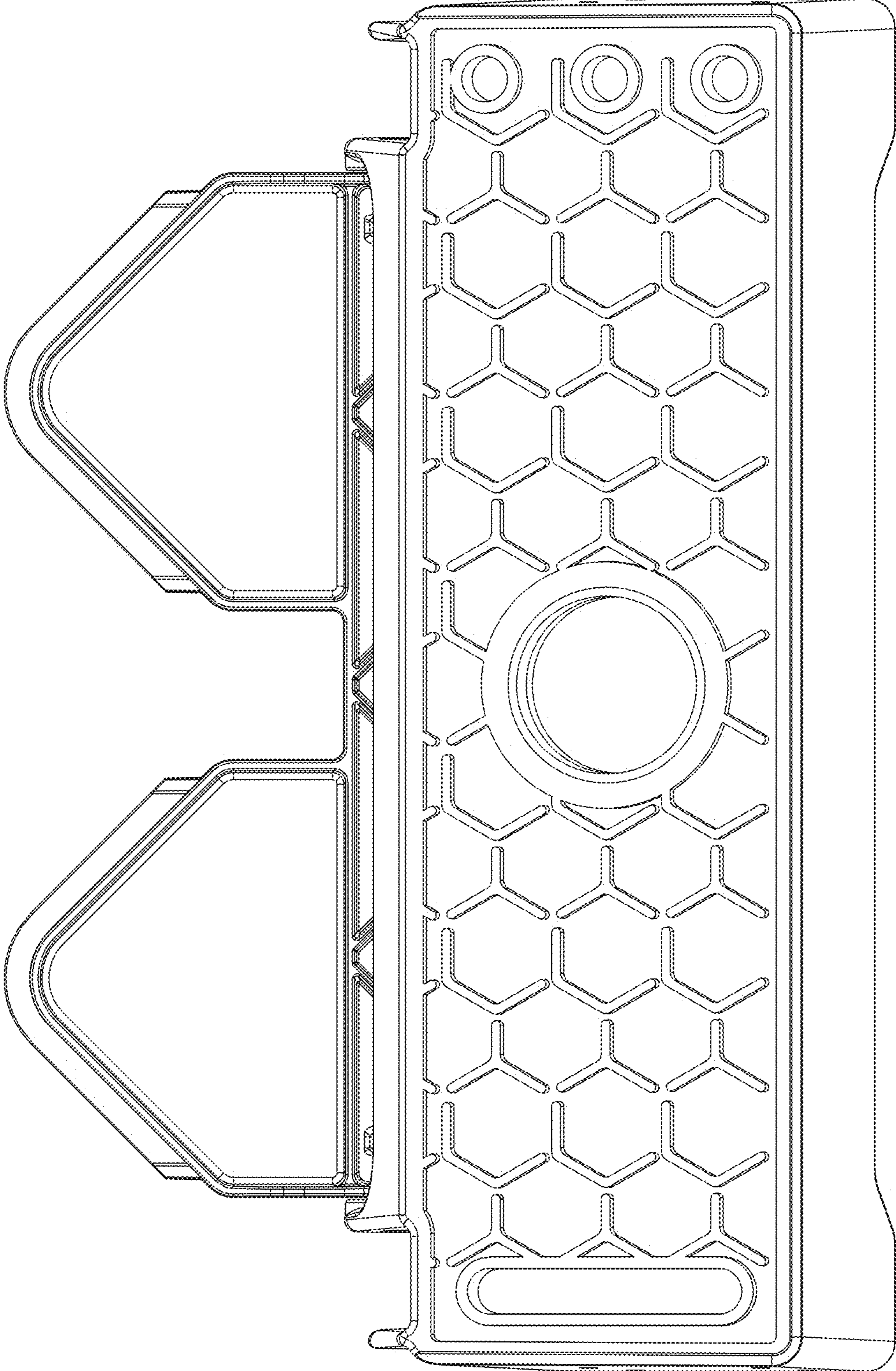


FIG. 7

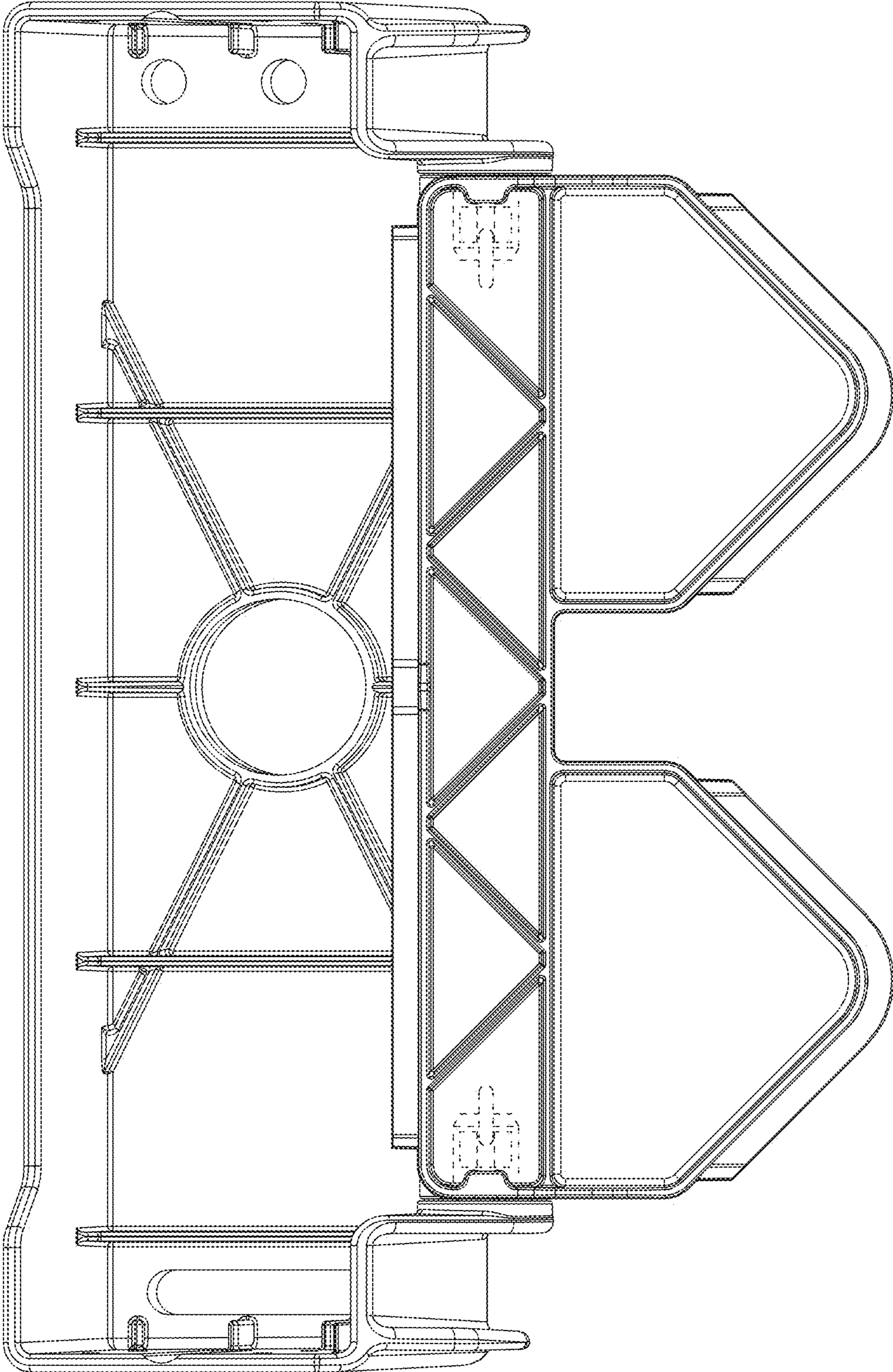


FIG. 8