

US00D912840S

(12) **United States Design Patent**
Li et al.

(10) **Patent No.:** **US D912,840 S**

(45) **Date of Patent:** **** Mar. 9, 2021**

(54) **MESSAGE STICK**

(71) Applicant: **Xiamen Comfier Technology Co., Ltd.**, Fujian (CN)

(72) Inventors: **Jianqing Li**, Fujian (CN); **Lei Leng**, Fujian (CN)

(**) Term: **15 Years**

(21) Appl. No.: **29/704,141**

(22) Filed: **Sep. 3, 2019**

(51) **LOC (13) Cl.** **28-03**

(52) **U.S. Cl.**

USPC **D24/215**

(58) **Field of Classification Search**

USPC D24/200, 211, 212, 213, 214, 215

CPC A61H 7/003; A61H 7/00; A61H 15/00; A61H 7/007

See application file for complete search history.

(56) **References Cited**

U.S. PATENT DOCUMENTS

D263,872 S *	4/1982	Rakocy	D24/214
D323,034 S *	1/1992	Reinstein	D24/200
D324,914 S *	3/1992	Bucher	D24/206
D339,198 S *	9/1993	Mochida	D24/211
D366,703 S *	1/1996	Huen	D13/108
D414,582 S *	9/1999	Hwang	D24/200
D463,862 S *	10/2002	Lau	D24/214
D474,843 S *	5/2003	McQueen	D24/215
D533,943 S *	12/2006	Chen	D24/146
D561,343 S *	2/2008	Liang	D24/215
D569,523 S *	5/2008	Hsieh	D24/206
D582,048 S *	12/2008	Chiu	D24/200
D590,952 S *	4/2009	Stuart	D24/215
D609,817 S *	2/2010	Piller	D24/215
D649,657 S *	11/2011	Petersen	D24/215
D666,303 S *	8/2012	Ding	D24/215
D726,926 S *	4/2015	Matsushita	D24/200
D726,927 S *	4/2015	Matsushita	D24/200
D727,514 S *	4/2015	Matsushita	D24/200

D729,398 S *	5/2015	Park	D24/215
D757,953 S *	5/2016	Philips	D24/200
D759,256 S *	6/2016	Chen	D24/200
D759,261 S *	6/2016	Son	D24/215
D759,831 S *	6/2016	Levi	D24/200
D771,389 S *	11/2016	Since	D4/102
D780,933 S *	3/2017	Uchida	D24/200
D787,693 S *	5/2017	Matsushita	D24/200

(Continued)

OTHER PUBLICATIONS

Amazon, "Snailax_Back Massager", Feb. 24, 2019.https://www.amazon.com/Snailax-Cordless-Handheld-Back-Massager/dp/B07LFSHC69/ref=cm_cr_arp_d_product_top?ie=UTF8. Shown on p. 1. (Year: 2019).*

Primary Examiner — Cynthia Ramirez

Assistant Examiner — Michael A Maharajh

(74) *Attorney, Agent, or Firm* — Prakash Nama; Global IP Services, PLLC

(57) **CLAIM**

The ornamental design for a massage stick, as shown and described.

DESCRIPTION

FIG. 1 is a front elevational view of a massage stick showing our new design;

FIG. 2 is a rear elevational view thereof;

FIG. 3 is a left side view thereof;

FIG. 4 is a right side view thereof;

FIG. 5 is a top plan view shown at an enlarged scale thereof;

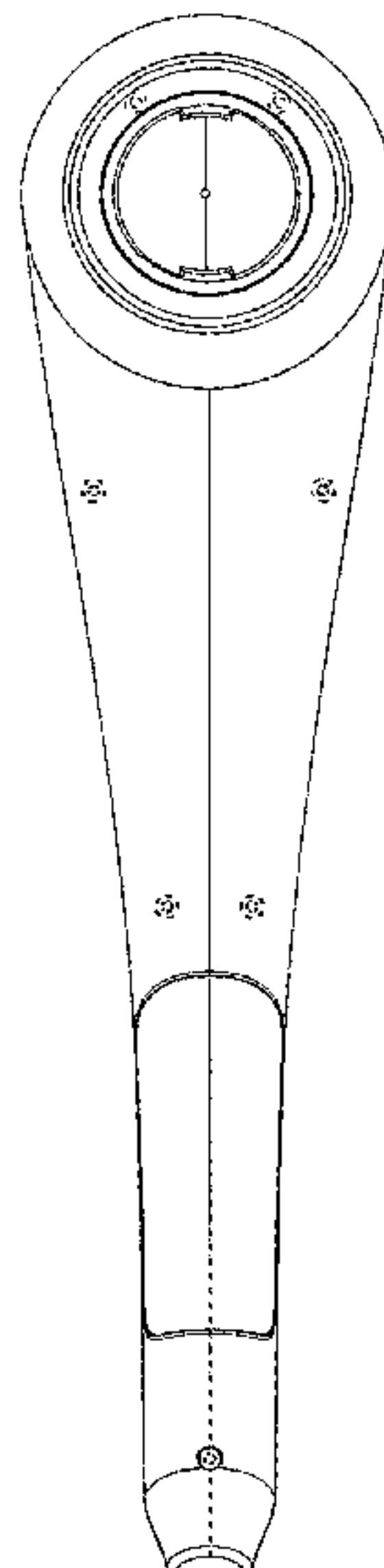
FIG. 6 is a bottom plan view shown at an enlarged scale thereof;

FIG. 7 is a perspective view thereof; and,

FIG. 8 is another perspective view thereof.

The broken lines in the drawings are for the purpose of illustrating portions of the massage stick, which form no part of the claimed design.

1 Claim, 8 Drawing Sheets



(56)

References Cited

U.S. PATENT DOCUMENTS

D794,854	S	*	8/2017	Zepter	D26/38
D819,221	S	*	5/2018	Lei	D24/200
D822,843	S	*	7/2018	Lenke	D24/215
D823,478	S	*	7/2018	Park	D24/215
D837,395	S	*	1/2019	Gan	D24/214
D842,491	S	*	3/2019	Fleming	D24/215
D847,362	S	*	4/2019	Tang	D24/215
D847,363	S	*	4/2019	Aulwes	D24/215
D848,017	S	*	5/2019	Zheng	D24/215
D849,257	S	*	5/2019	Fukuda	D24/200
D853,572	S	*	7/2019	Yi	D24/200
D861,911	S	*	10/2019	Fuhner	D24/215
D862,717	S	*	10/2019	Khubani	D24/200
D864,407	S	*	10/2019	Zhou	D24/215
D865,209	S	*	10/2019	Nichols	D24/214
D865,990	S	*	11/2019	Ko	D24/215
D868,990	S	*	12/2019	Tse	D24/215
D869,675	S	*	12/2019	Hitscherich	D24/215
D872,295	S	*	1/2020	Friedman	D24/215
D875,267	S	*	2/2020	Zeng	D24/214
D892,322	S	*	8/2020	Yang	D24/133
D894,411	S	*	8/2020	Jin	D24/200
2016/0045081	A1	*	2/2016	Kern	A46B 13/02 15/22.4

* cited by examiner

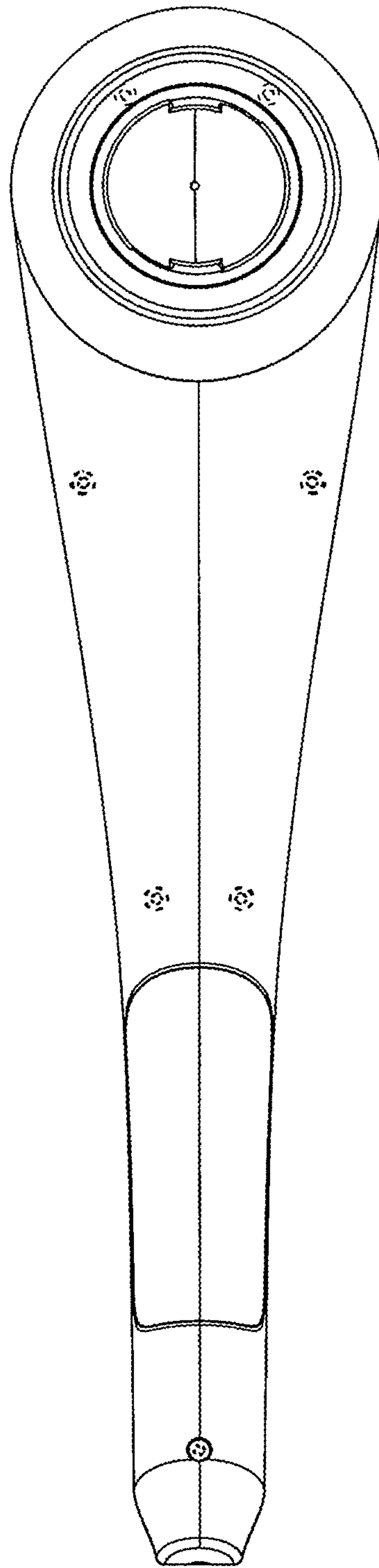


FIG. 1

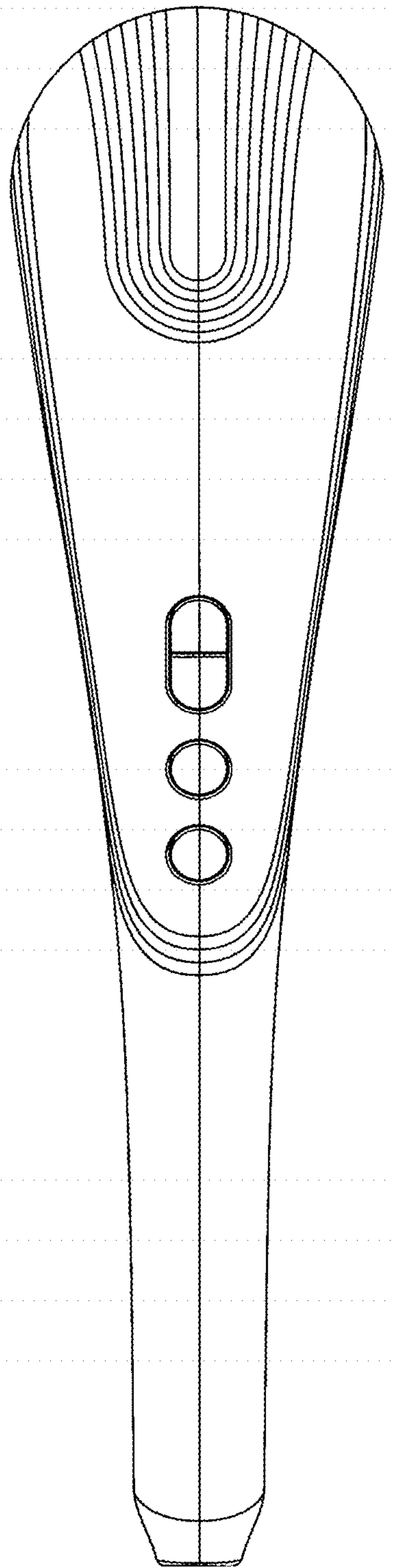


FIG. 2

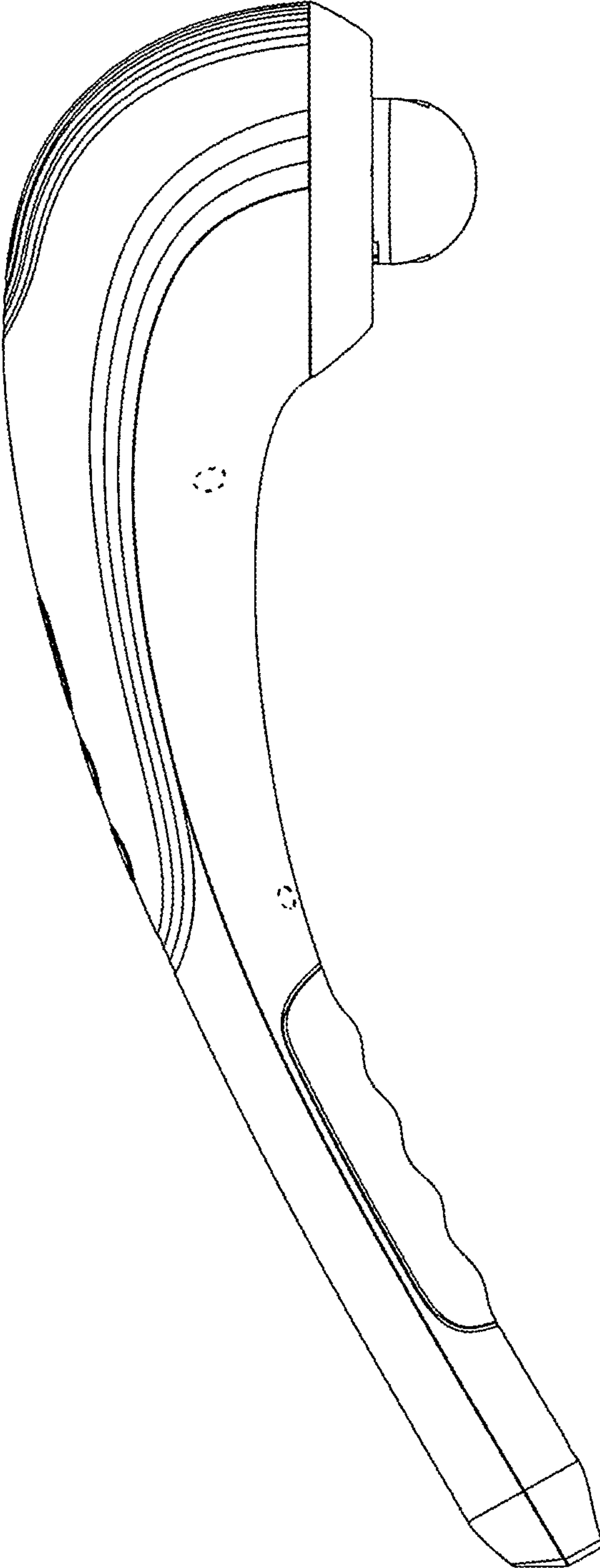


FIG. 3

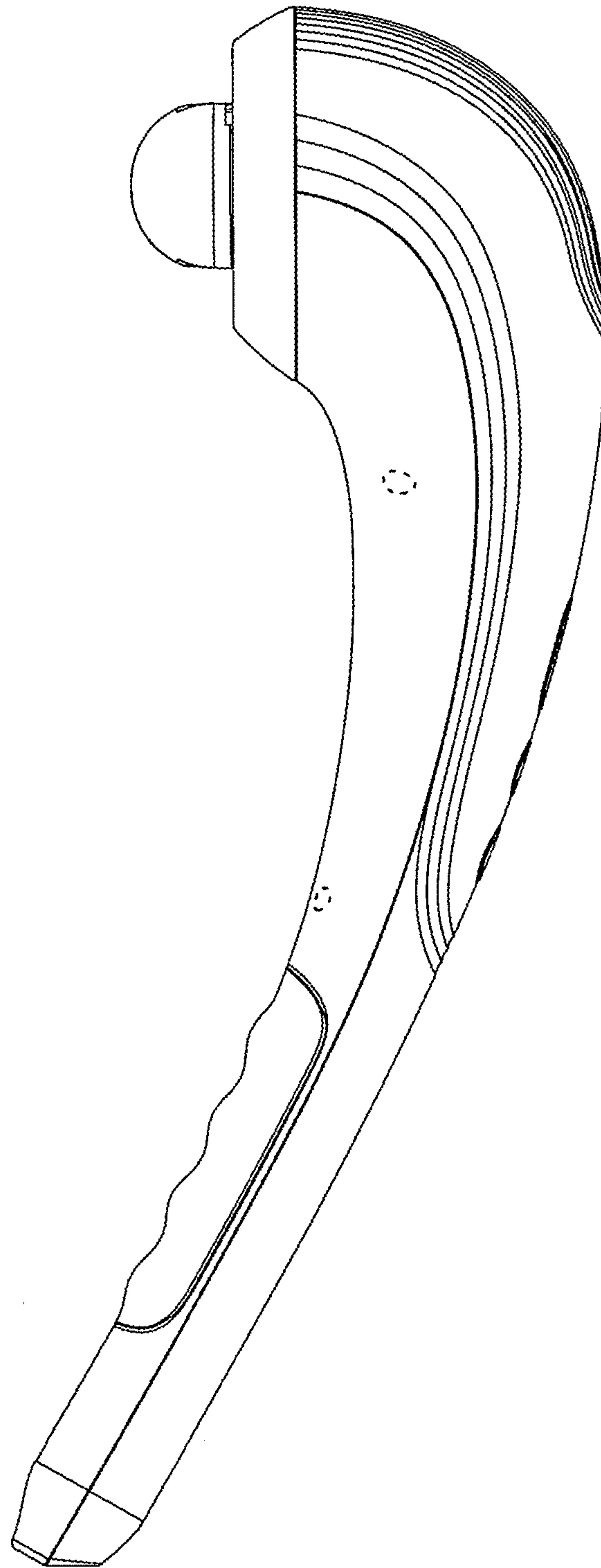


FIG. 4

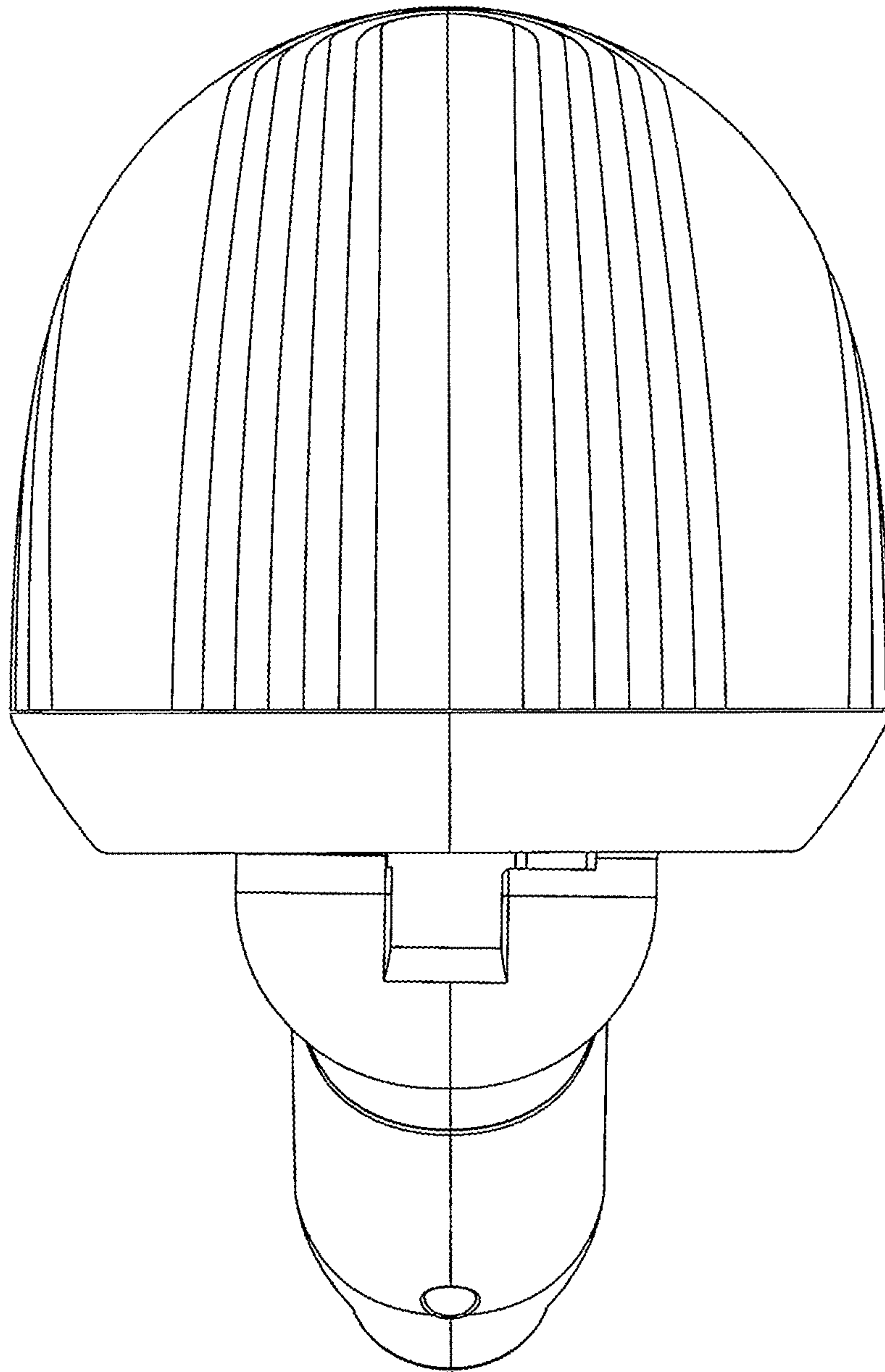


FIG. 5

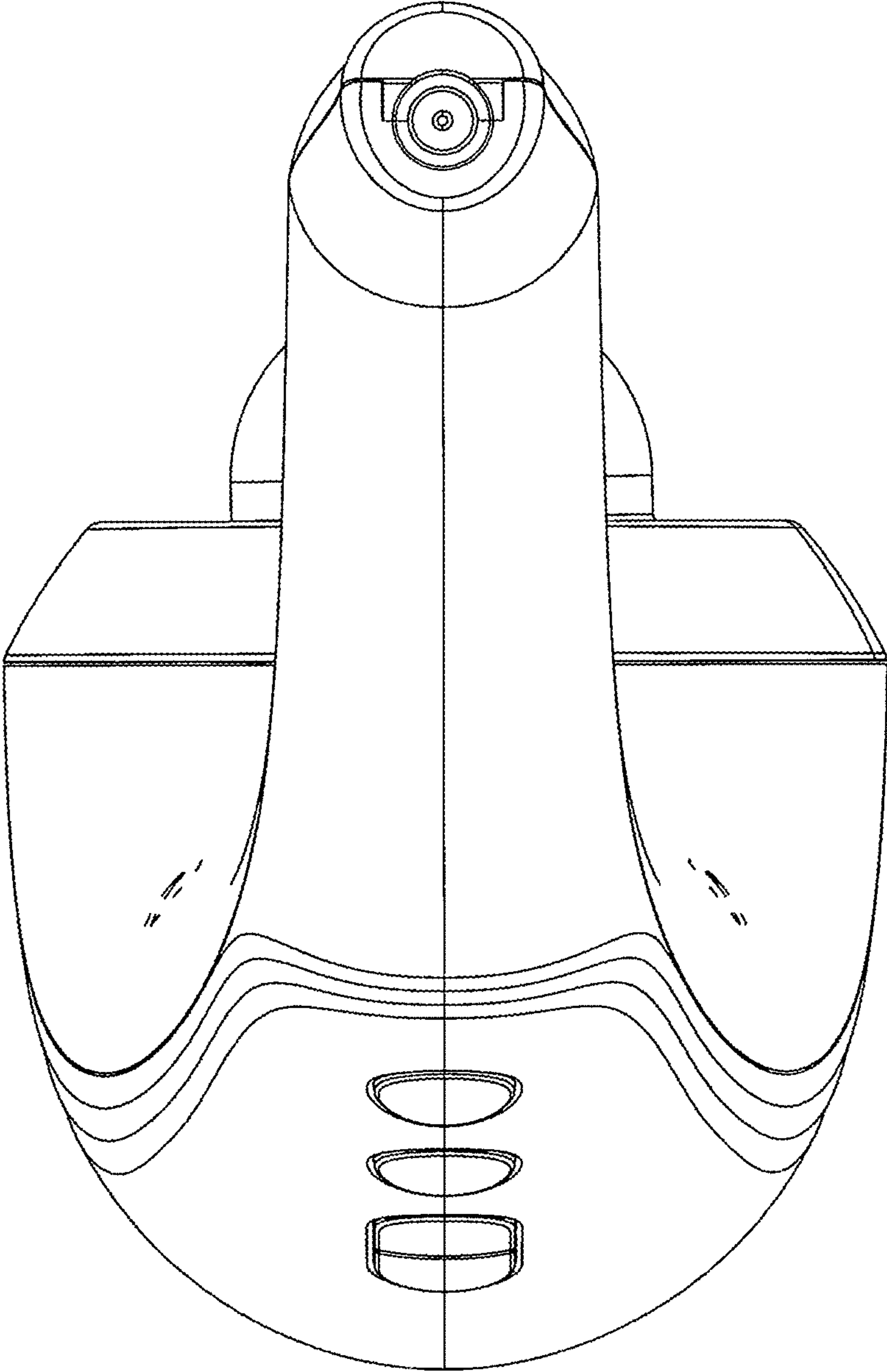


FIG. 6

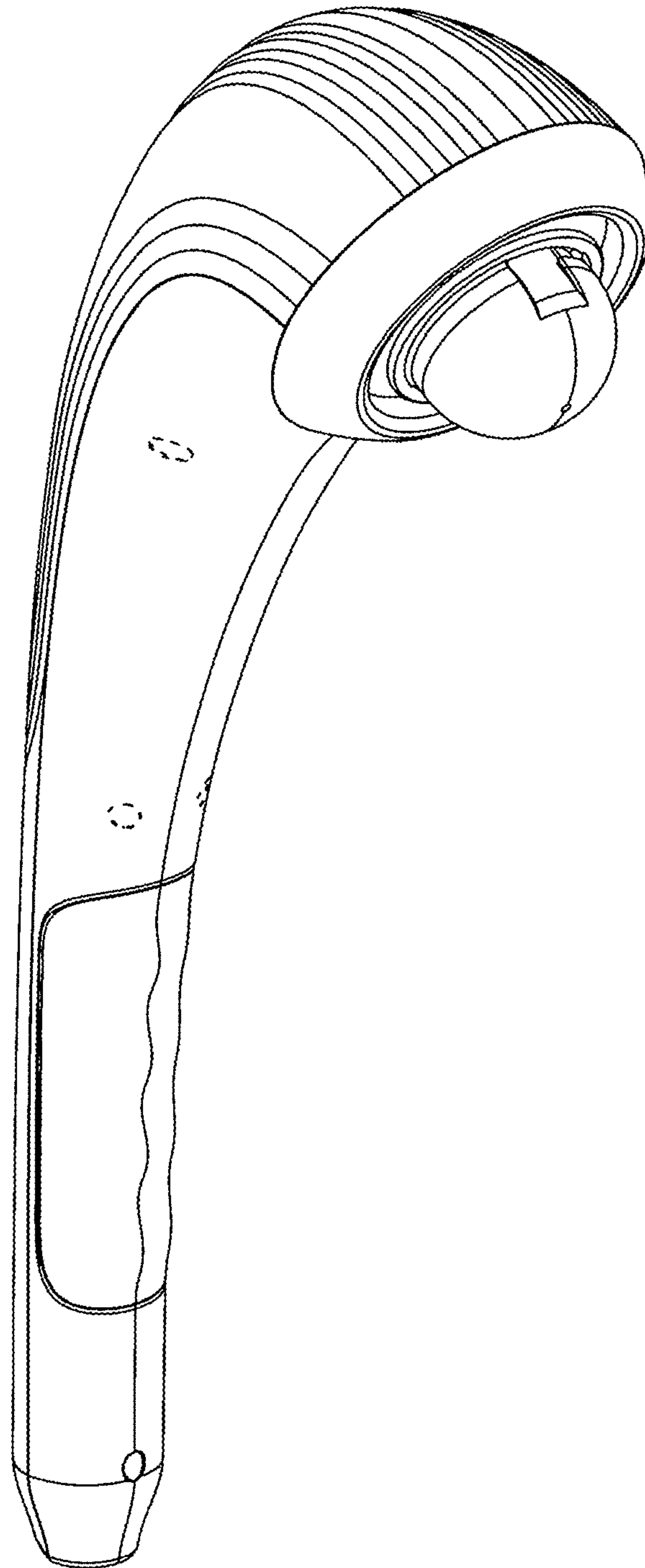


FIG. 7

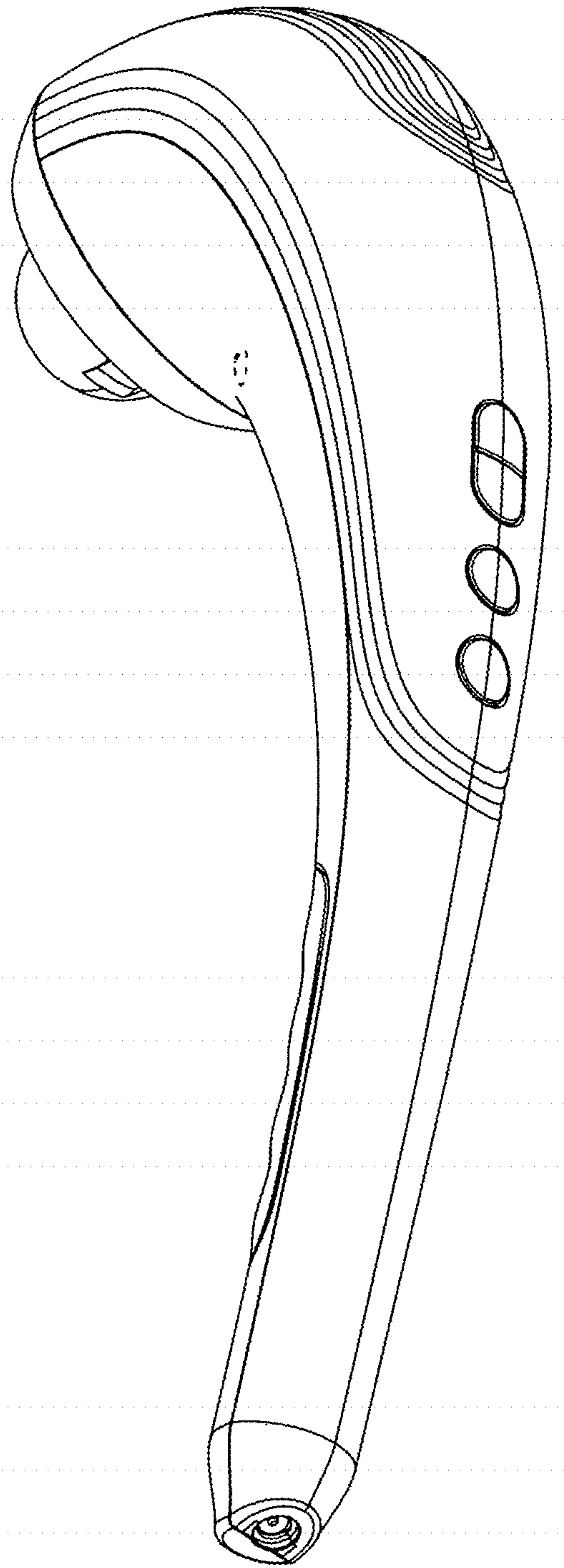


FIG. 8