



US00D912837S

(12) **United States Design Patent**  
**Zhang**

(10) **Patent No.:** **US D912,837 S**

(45) **Date of Patent:** **\*\* Mar. 9, 2021**

- (54) **LIGHT THERAPY SOLAR LAMP**
- (71) Applicant: **Huan Zhang**, Dongguan (CN)
- (72) Inventor: **Huan Zhang**, Dongguan (CN)
- (\*\*) Term: **15 Years**

D597,214 S *	7/2009	Savage	.....	D24/209
D599,485 S *	9/2009	Burrows	.....	D24/209
D641,490 S *	7/2011	Fernie	.....	D24/210
D647,626 S *	10/2011	Nitsch	.....	D24/209
D875,265 S *	2/2020	Li	.....	D24/210
D879,984 S *	3/2020	Hu	.....	D24/209
2017/0212292 A1 *	7/2017	Brada	.....	G02B 6/0031

- (21) Appl. No.: **29/705,916**
- (22) Filed: **Sep. 17, 2019**
- (51) **LOC (13) Cl.** ..... **28-03**
- (52) **U.S. Cl.**  
USPC ..... **D24/210**
- (58) **Field of Classification Search**  
USPC ..... D24/107, 186, 200, 209, 210, 231;  
D26/37-39  
CPC .... A61N 5/062; A61N 5/0614; A61N 5/0616;  
A61N 5/0617; A61N 5/0618; A61N  
5/0624; A61N 5/0627; A61N 5/0625;  
A61N 2005/0643; A61N 2005/0644;  
A61N 2005/0645; A61N 2005/0647;  
A61N 2005/0651; A61N 2005/0652;  
A61N 2005/0654; A61N 2005/0662;  
A61B 2018/00452; A61B 2018/1807  
See application file for complete search history.

**FOREIGN PATENT DOCUMENTS**

CN	201930376270.6	*	2/2020
JP	D2019-21662	*	8/2020

\* cited by examiner

*Primary Examiner* — Anhdao Doan

(57) **CLAIM**

The ornamental design for a light therapy solar lamp, as shown and described.

**DESCRIPTION**

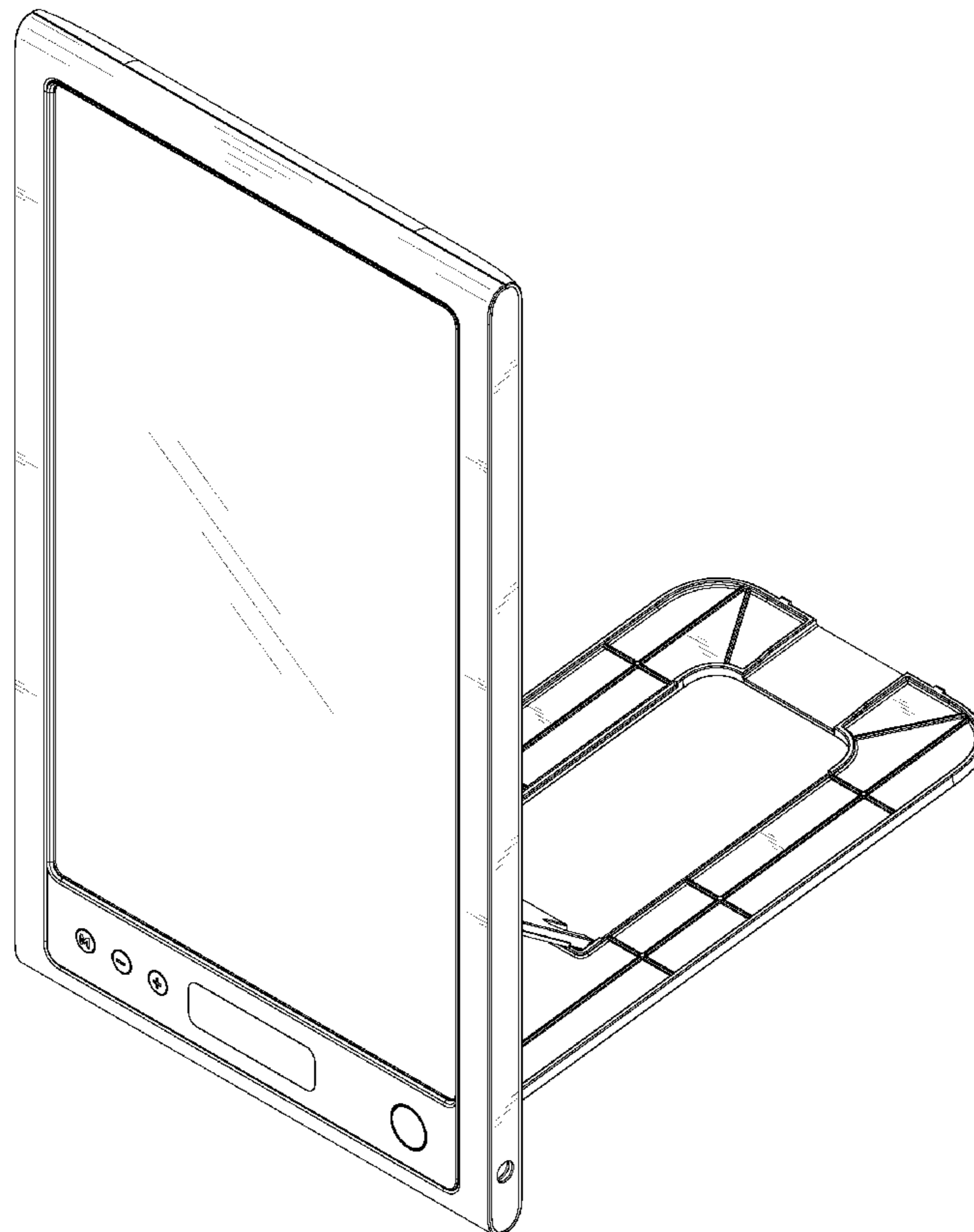
FIG. 1 is a front, top perspective view of the light therapy solar lamp showing my new design;  
 FIG. 2 is a rear, bottom perspective view thereof;  
 FIG. 3 is a front elevational view thereof;  
 FIG. 4 is a rear elevational view thereof;  
 FIG. 5 is a left side elevational view thereof;  
 FIG. 6 is a right side elevational view thereof;  
 FIG. 7 is a top plan view thereof; and,  
 FIG. 8 is a bottom plan view thereof.

(56) **References Cited**

**U.S. PATENT DOCUMENTS**

D510,627 S *	10/2005	Lomberg	.....	D24/209
D545,973 S *	7/2007	Powell	.....	D24/209

**1 Claim, 8 Drawing Sheets**



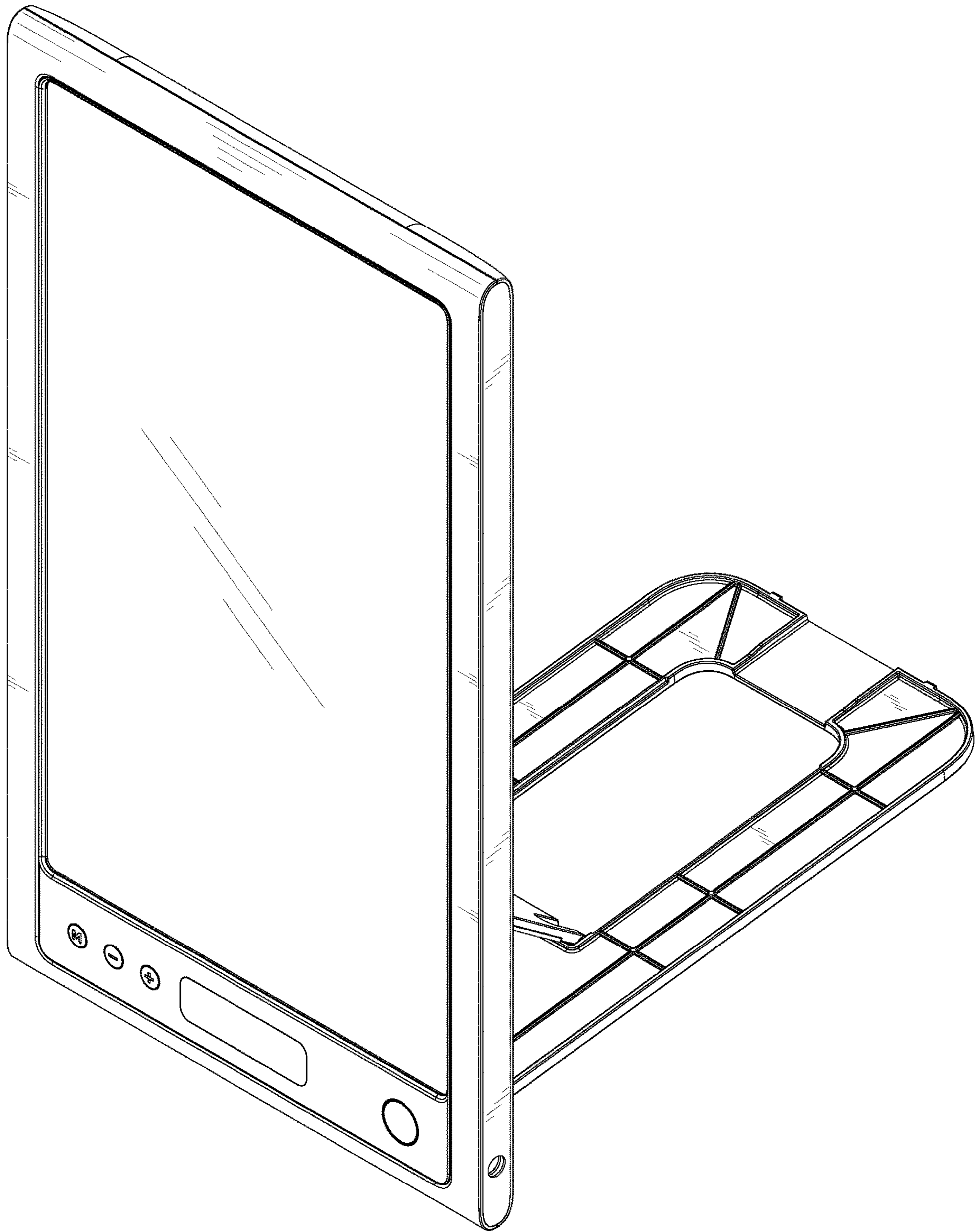


FIG. 1

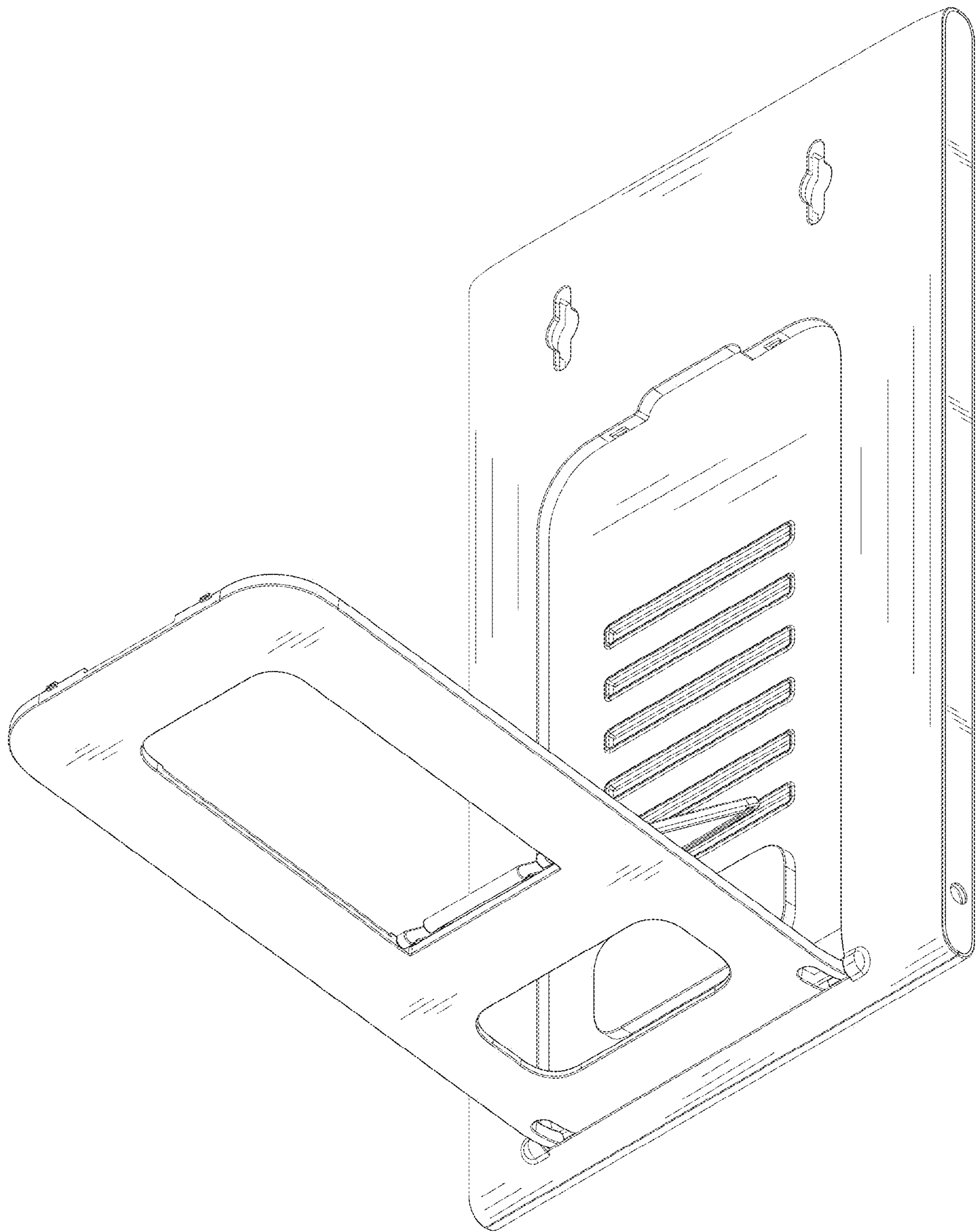


FIG. 2

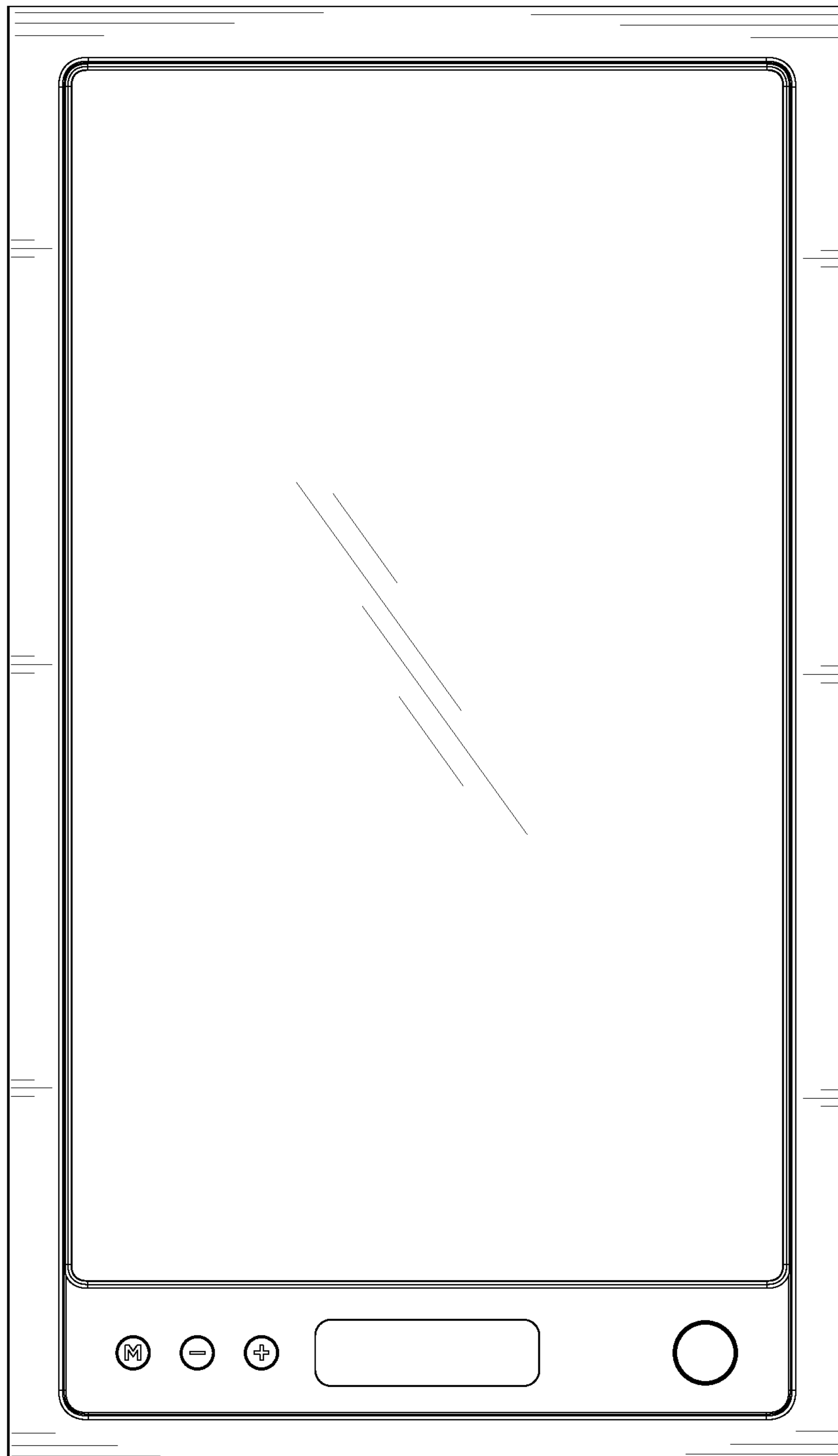


FIG. 3



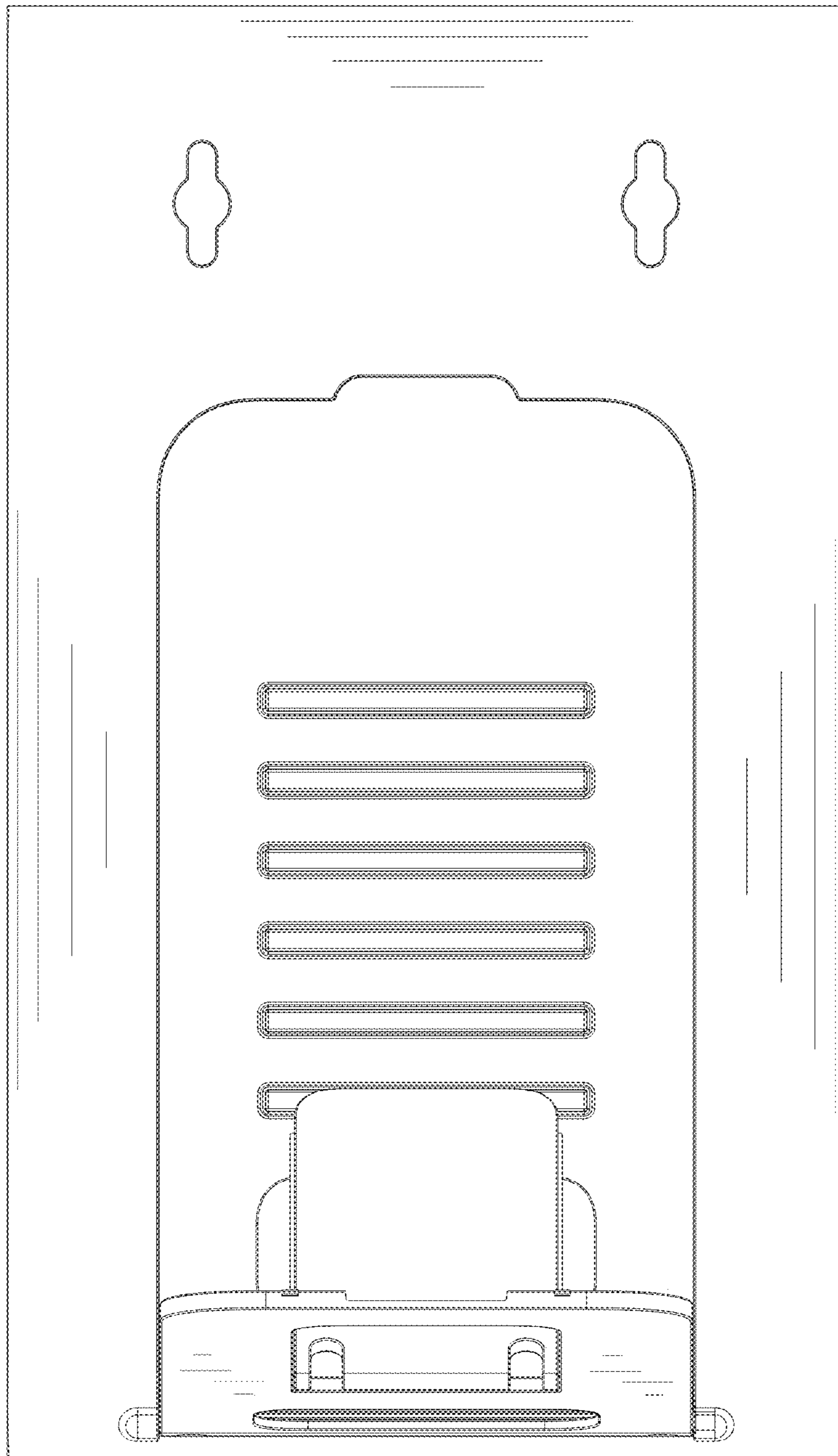


FIG. 4

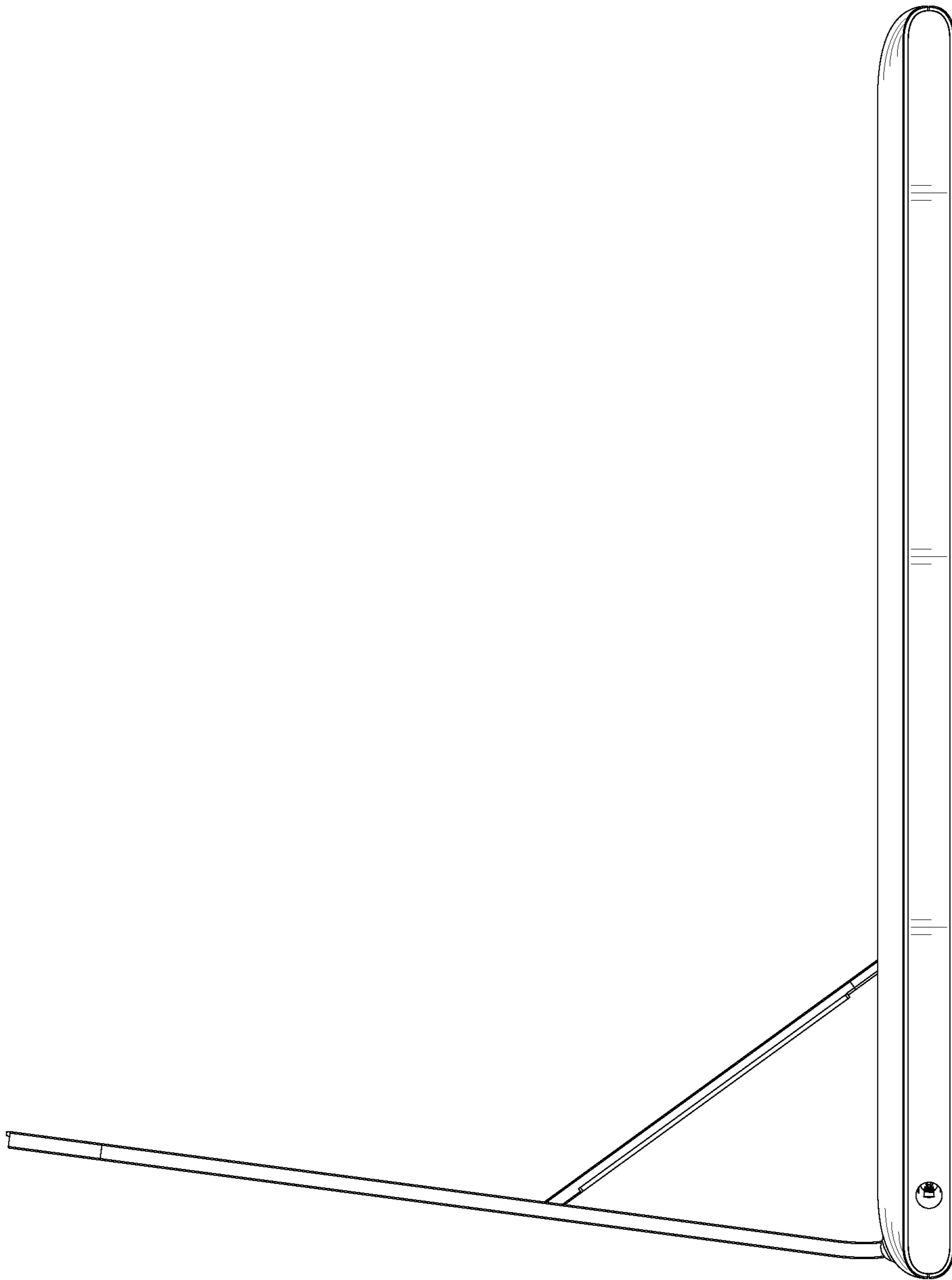


FIG. 5

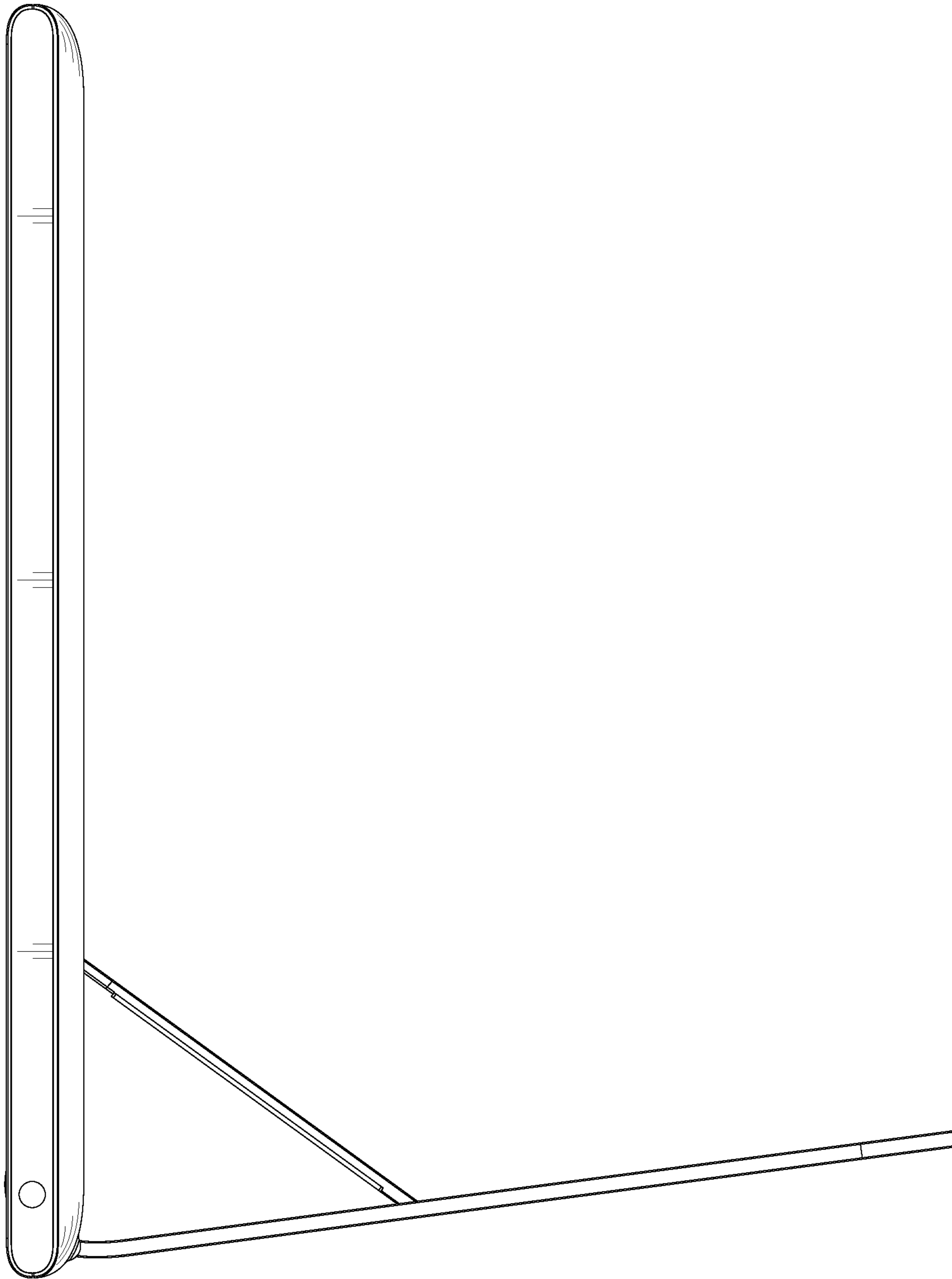


FIG. 6

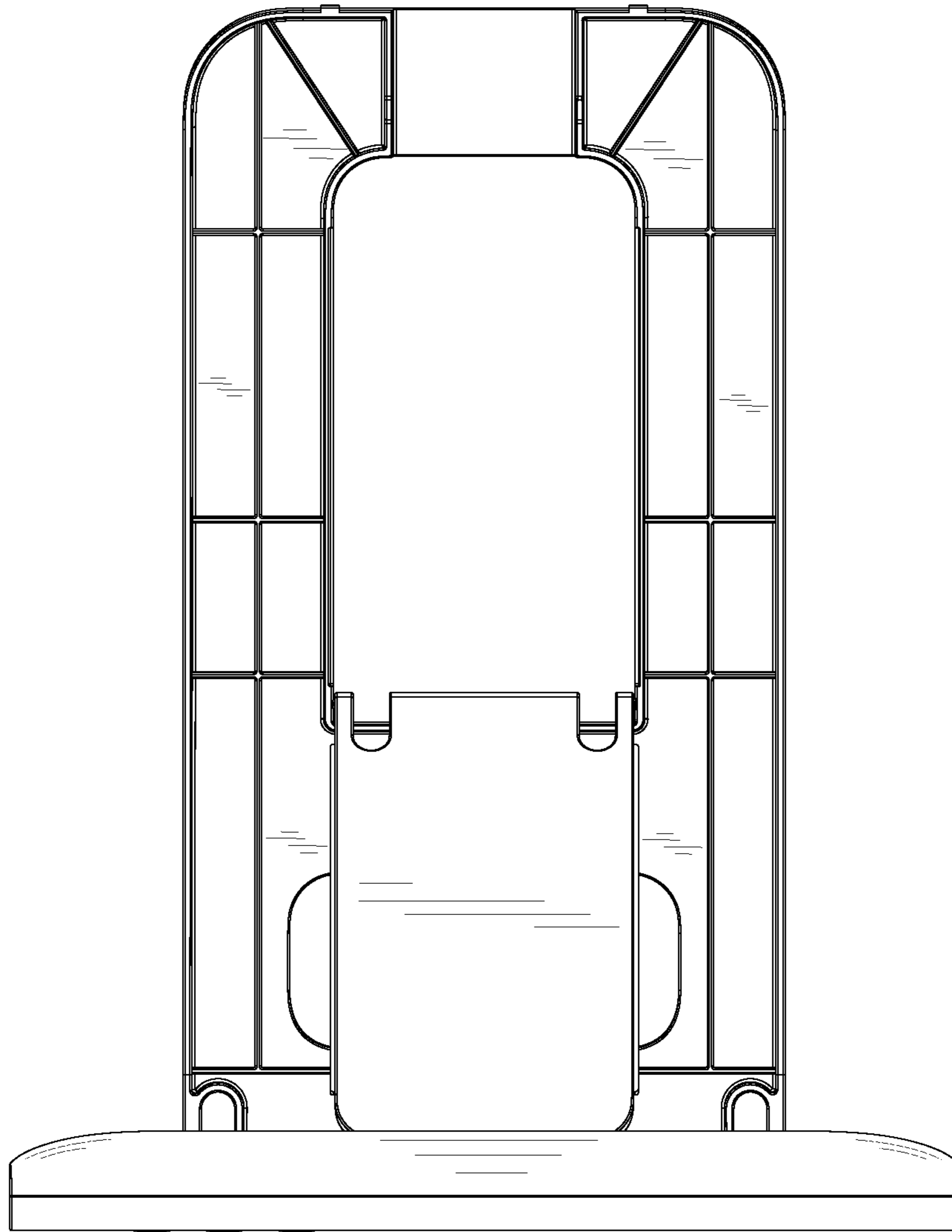


FIG. 7



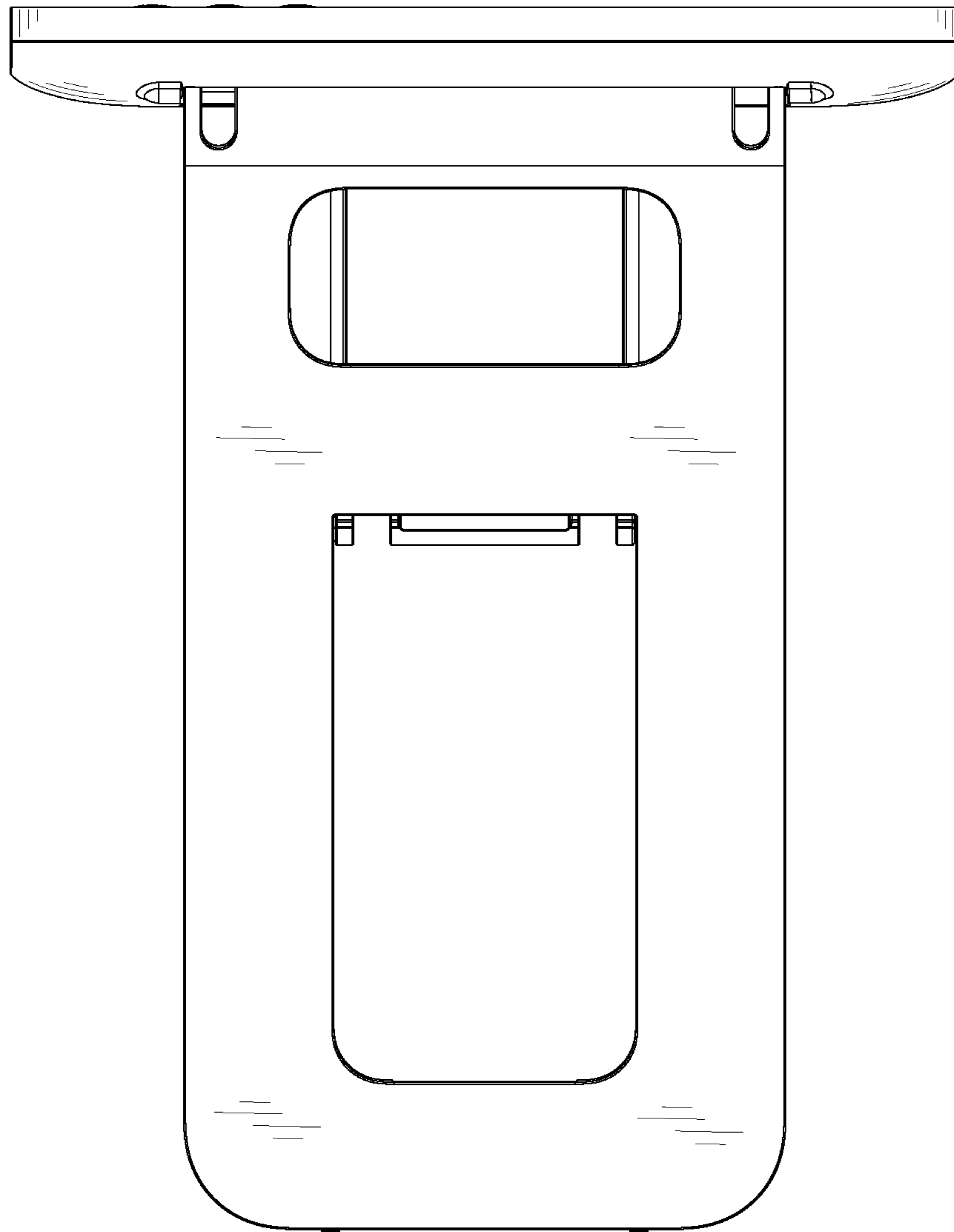


FIG. 8