



US00D912836S

(12) **United States Design Patent** (10) **Patent No.:** **US D912,836 S**
Munro (45) **Date of Patent:** **** Mar. 9, 2021**

- (54) **PORTABLE SAUNA ENCLOSURE**
- (71) Applicant: **Bio-Hack Synergistics LLC**,
Streetsboro, OH (US)
- (72) Inventor: **Garrett Robert Munro**, Streetsboro,
OH (US)
- (73) Assignee: **Bio-Hack Synergistics LLC**, Kent, OH
(US)

D395,934 S	7/1998	Lamppa	
5,870,780 A	2/1999	Prommer	
D411,918 S *	7/1999	Neuman	D3/276
D435,363 S *	12/2000	Felsenthal	D6/671
6,276,001 B1	8/2001	Chen	
D455,497 S *	4/2002	Jensen	D24/203
6,510,565 B1	1/2003	Zwezdaryk	
6,675,403 B2	1/2004	Akhtar et al.	
7,120,353 B2	10/2006	Schaeffer et al.	
D588,275 S	3/2009	Lozano	
D718,459 S	11/2014	Johnson et al.	

(Continued)

(**) Term: **15 Years**

- (21) Appl. No.: **29/680,078**
- (22) Filed: **Feb. 13, 2019**
- (51) **LOC (13) Cl.** **23-02**
- (52) **U.S. Cl.**
USPC **D24/203**
- (58) **Field of Classification Search**
USPC D24/201–205, 213; D23/276–278,
D23/280.1–280.3, 315; D21/834, 826,
D21/838; D6/610, 661, 671.1
CPC A61H 33/06; A61H 33/066; A61H 33/068;
A61H 2201/10; A61H 2201/0161; A61H
2201/0157; A61H 2201/0166; A61H
2001/1288; A61N 5/06
See application file for complete search history.

(56) **References Cited**

U.S. PATENT DOCUMENTS

D189,951 S	3/1961	Cosper
3,271,786 A	9/1966	Joy et al.
3,351,956 A	11/1967	Robert et al.
3,648,299 A	3/1972	Durst et al.
3,925,828 A	12/1975	Kim
4,975,992 A	12/1990	Patterson et al.
5,287,569 A	2/1994	Johnson
5,511,254 A	4/1996	OBrien
5,544,369 A	8/1996	Roberts
5,628,073 A	5/1997	Popovich

OTHER PUBLICATIONS

Amazon.com: Customer reviews: Sauna Rocket—Home Steam Sauna Kit for Recovery . . . Product first reviewed by customer on Oct. 20, 2018.*

(Continued)

Primary Examiner — Anhdao Doan

(74) *Attorney, Agent, or Firm* — Sand, Sebolt & Wernow Co., LPA

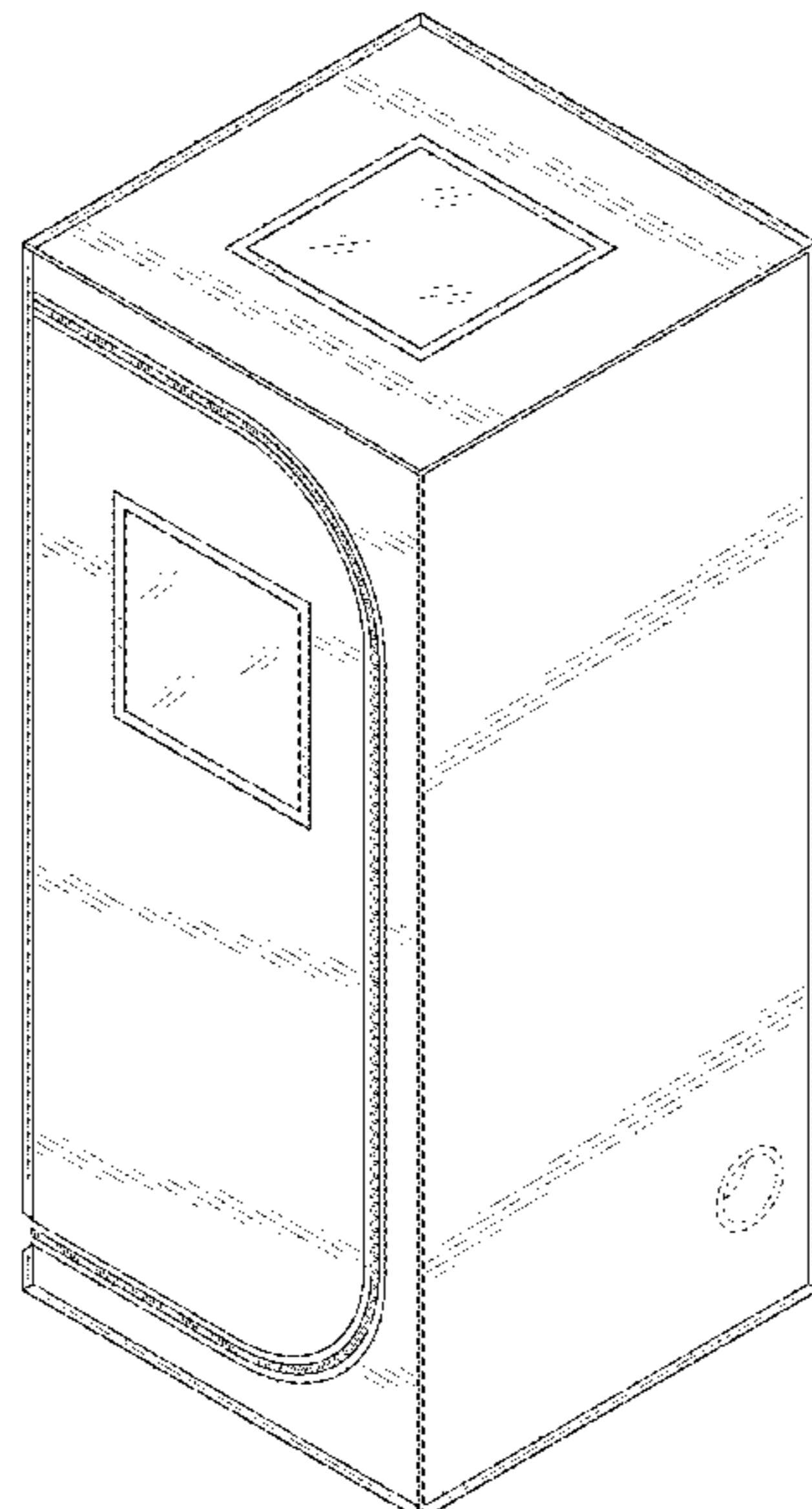
(57) **CLAIM**

The ornamental design for a portable sauna enclosure, as shown and described.

DESCRIPTION

FIG. 1 is a top front perspective view of the portable sauna enclosure;
 FIG. 2 is a front elevation view thereof;
 FIG. 3 is a rear elevation view thereof;
 FIG. 4 is a right elevation view thereof;
 FIG. 5 is a left elevation view thereof;
 FIG. 6 is a top elevation view thereof; and,
 FIG. 7 is a bottom elevation view thereof.
 The broken lines in FIGS. 1 and 4 depict portions of the portable sauna enclosure that form no part of the claimed design; the broken lines form no part of the claimed design.

1 Claim, 6 Drawing Sheets



(56)

References Cited

U.S. PATENT DOCUMENTS

D776,777 S 1/2017 Pescovitz
D776,778 S 1/2017 Pescovitz
D779,079 S 2/2017 Perovic
D844,815 S * 4/2019 Zhu D25/16
2003/0024040 A1 2/2003 Akhtar et al.
2012/0233764 A1* 9/2012 Lee A61H 33/06
4/524
2017/0367929 A1* 12/2017 Durfee E04H 15/44
2018/0092805 A1* 4/2018 Perovic A61H 33/06

OTHER PUBLICATIONS

Amazon.com : Sauna Rocket—Home Steam Sauna Kit for Recovery, Weight Loss, Relaxation : Garden & Outdoor. Customer question answered on Oct. 12, 2018.*

* cited by examiner

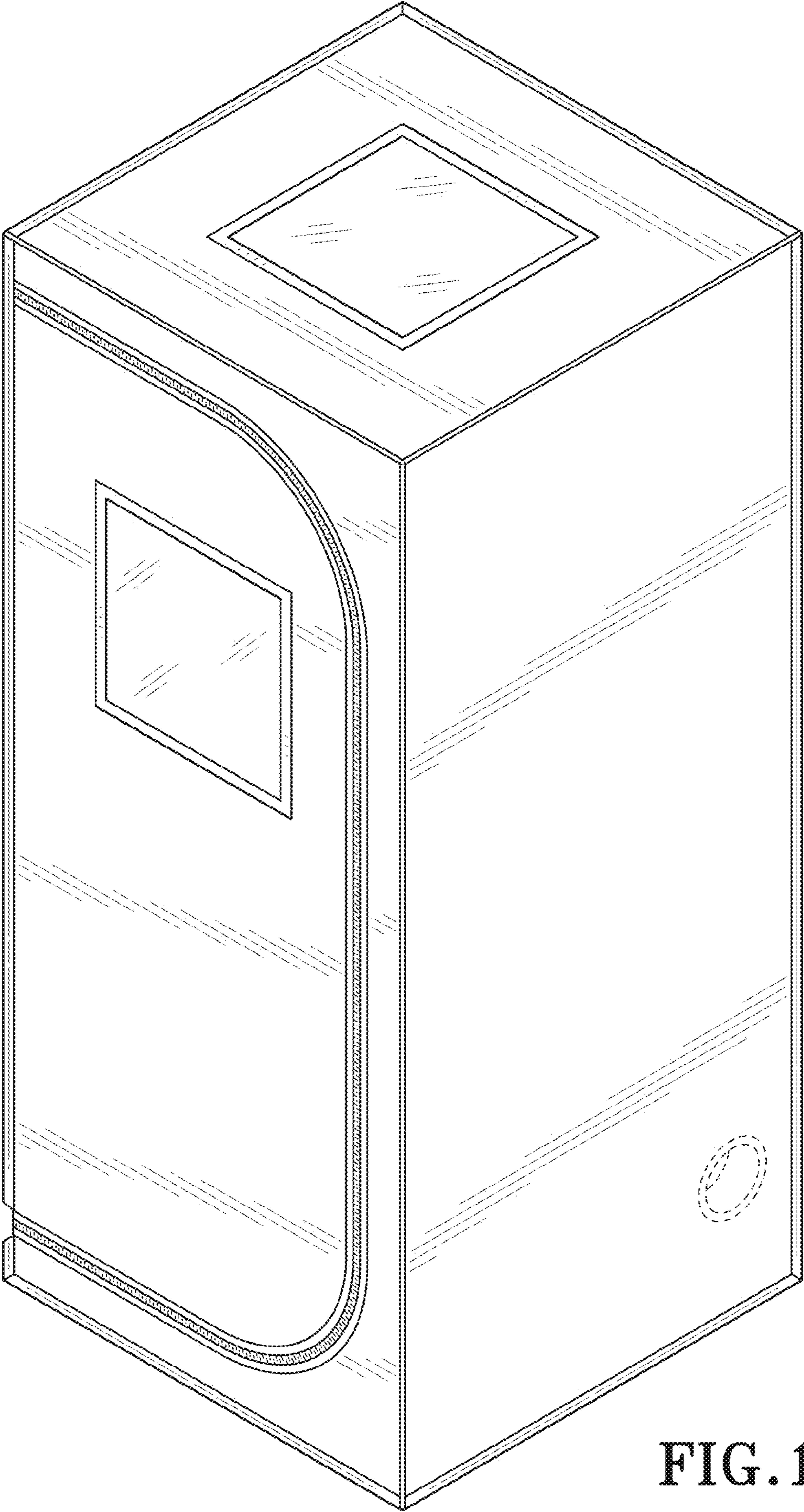


FIG. 1

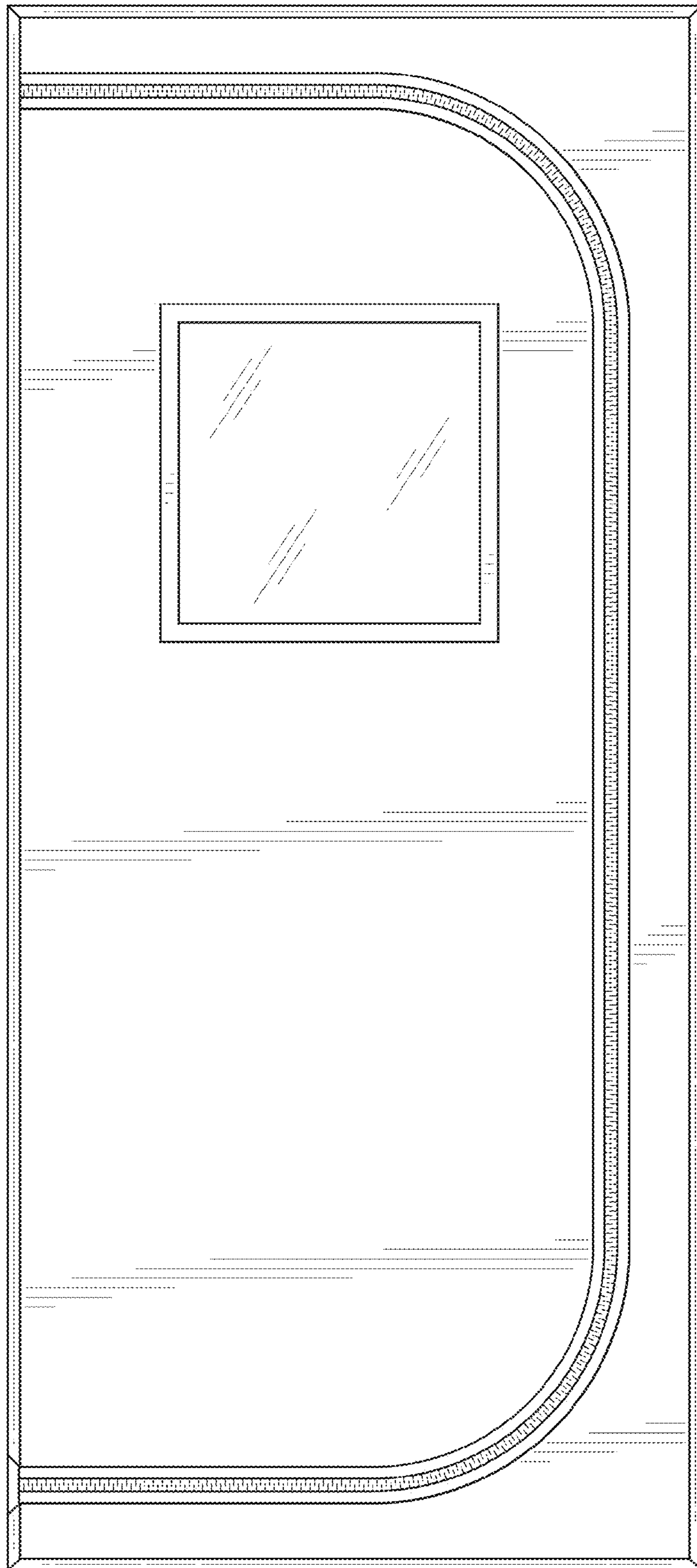


FIG. 2

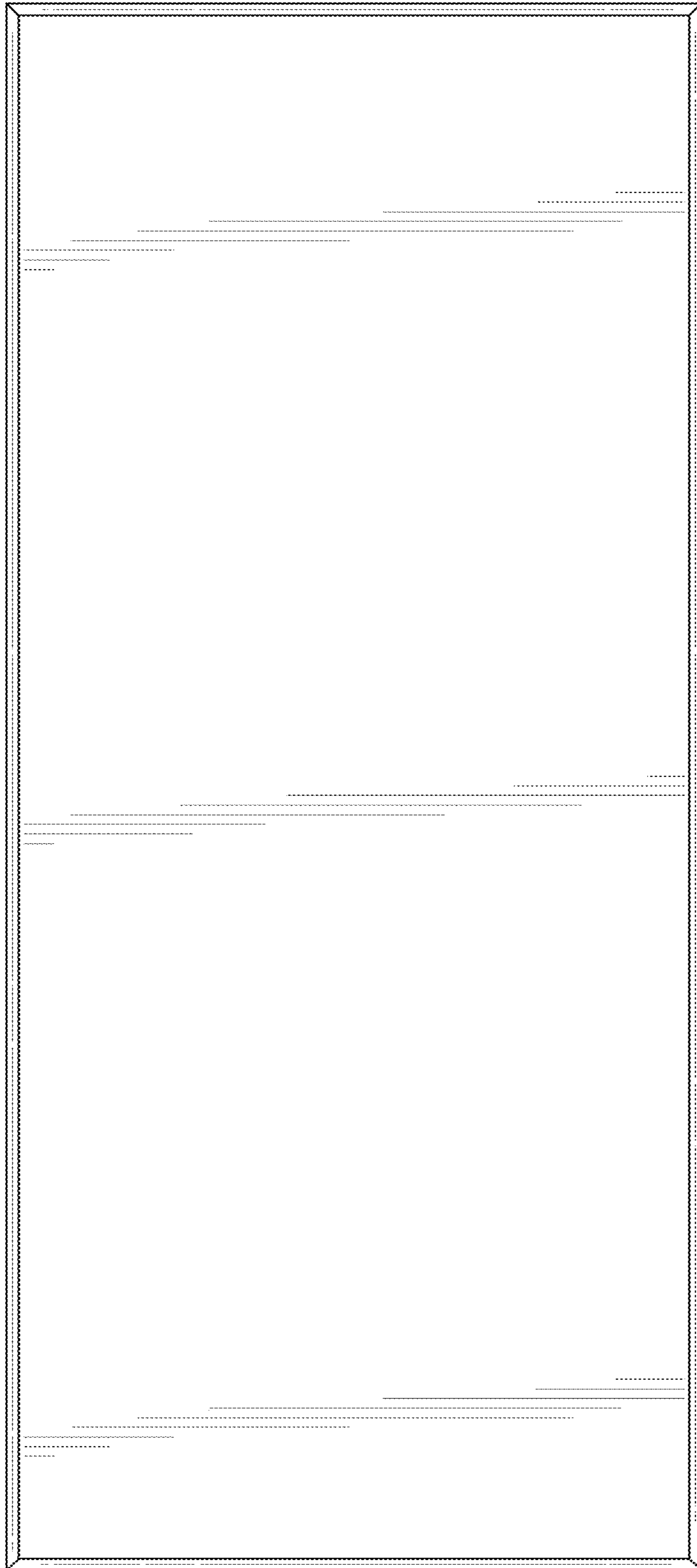


FIG. 3

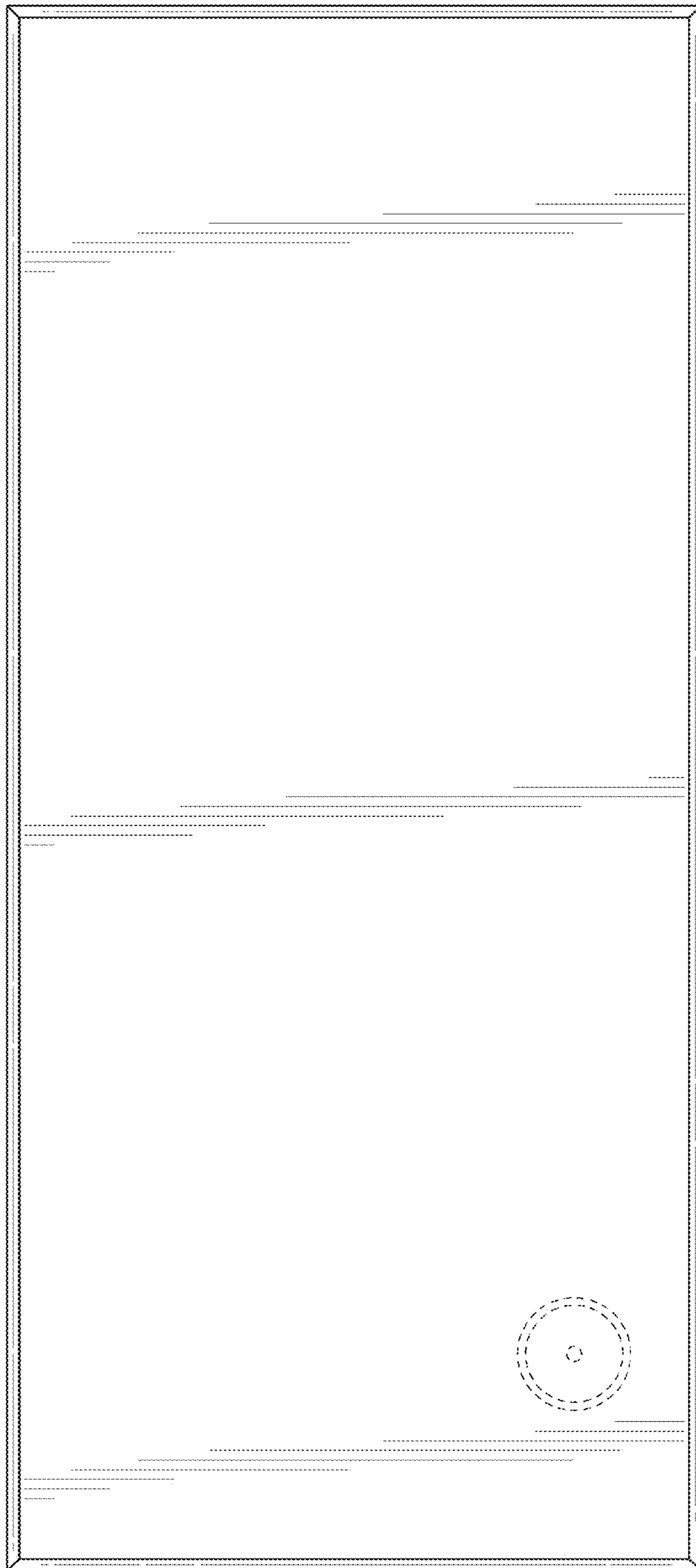


FIG. 4

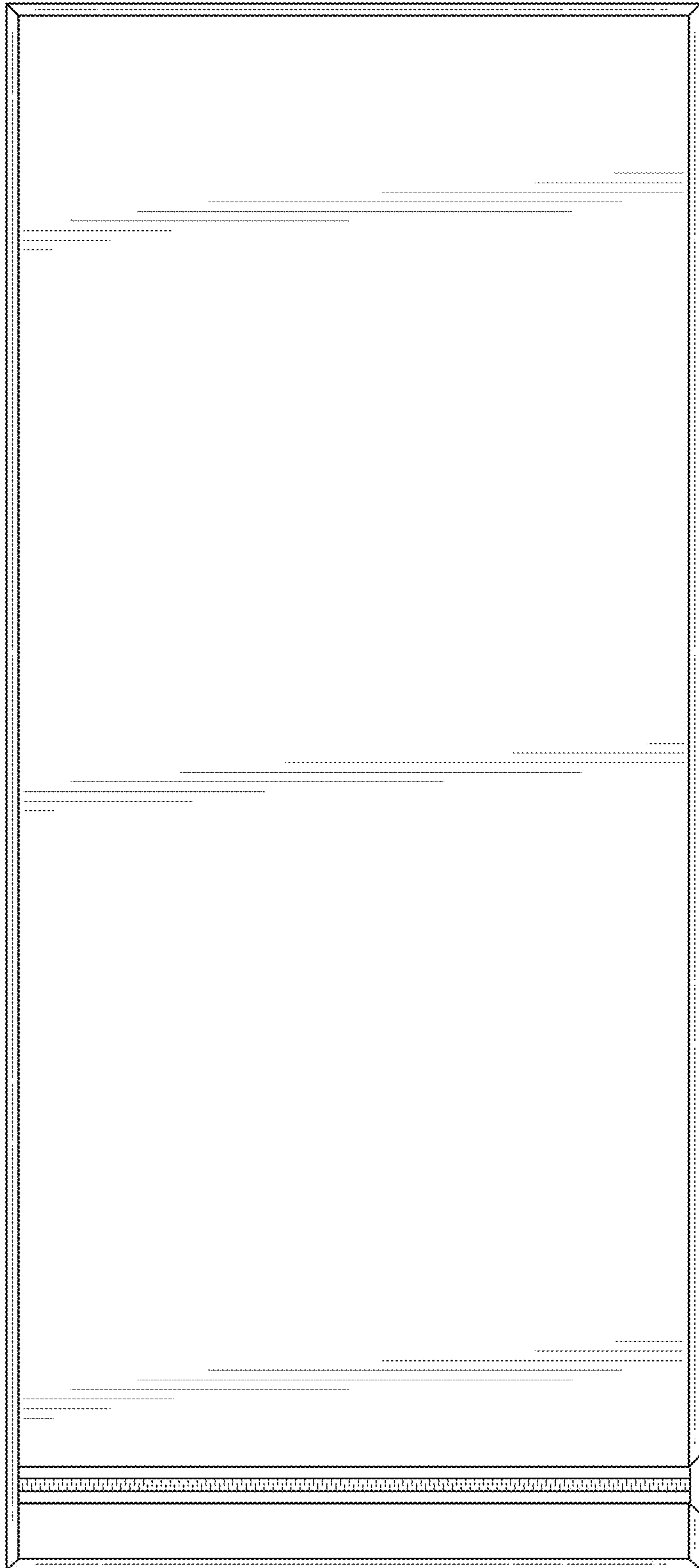


FIG. 5

FIG. 6

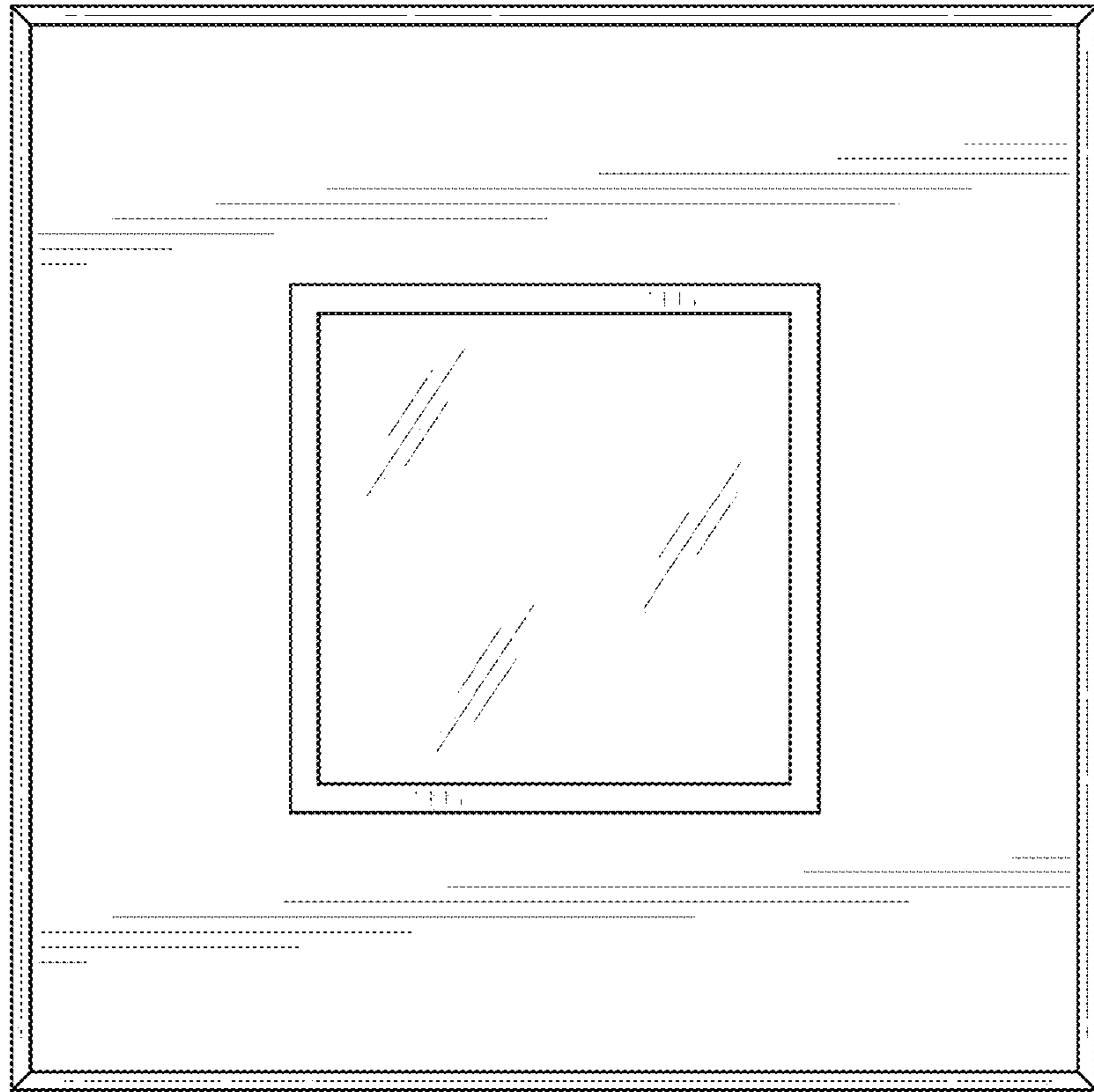


FIG. 7

