



US00D912835S

(12) **United States Design Patent** (10) **Patent No.:** **US D912,835 S**  
**Ren** (45) **Date of Patent:** **\*\* Mar. 9, 2021**

(54) **PERCUSSIVE THERAPY DEVICE**  
(71) Applicant: **Shenzhen Mondial Technology Co., Ltd.**, Guangdong (CN)  
(72) Inventor: **Changhui Ren**, Guangdong (CN)  
(\*\*) Term: **15 Years**  
(21) Appl. No.: **29/706,920**  
(22) Filed: **Sep. 25, 2019**  
(51) **LOC (13) Cl.** ..... **28-03**  
(52) **U.S. Cl.**  
USPC ..... **D24/200; D24/215**  
(58) **Field of Classification Search**  
USPC ..... D24/200, 211-215  
CPC ..... A61H 7/003; A61H 7/007; A61H 15/00;  
A61H 15/0085; A61H 15/0092; A61H  
23/00; A61H 23/006; A61H 23/0254;  
A61H 2201/0153; A61H 2201/149; A61H  
1/008  
See application file for complete search history.

10,702,448 B2 \* 7/2020 Wersland ..... A61H 23/00  
D896,396 S \* 9/2020 Wersland ..... D24/215  
2019/0209424 A1 \* 7/2019 Wersland ..... A61H 23/00  
2020/0261307 A1 \* 8/2020 Wersland ..... A61H 23/006  
2020/0268594 A1 \* 8/2020 Pepe ..... A61H 23/0254  
2020/0289365 A1 \* 9/2020 Wersland ..... A61H 23/006  
2020/0330321 A1 \* 10/2020 Wersland ..... A61H 15/0085

**OTHER PUBLICATIONS**

Compex® FIXX™ 1.0 Massager. Reviewed date: Sep. 20, 2010.  
Retrieved on Sep. 10, 2020. Retrieved from the Internet: <URL:  
<https://www.compex.com/compex-fixx-1-0-massager>>.\*

\* cited by examiner

*Primary Examiner* — Wan Laymon  
(74) *Attorney, Agent, or Firm* — Prakash Nama; Global  
IP Services, PLLC

(57) **CLAIM**

The ornamental design for a percussive therapy device, as  
shown and described.

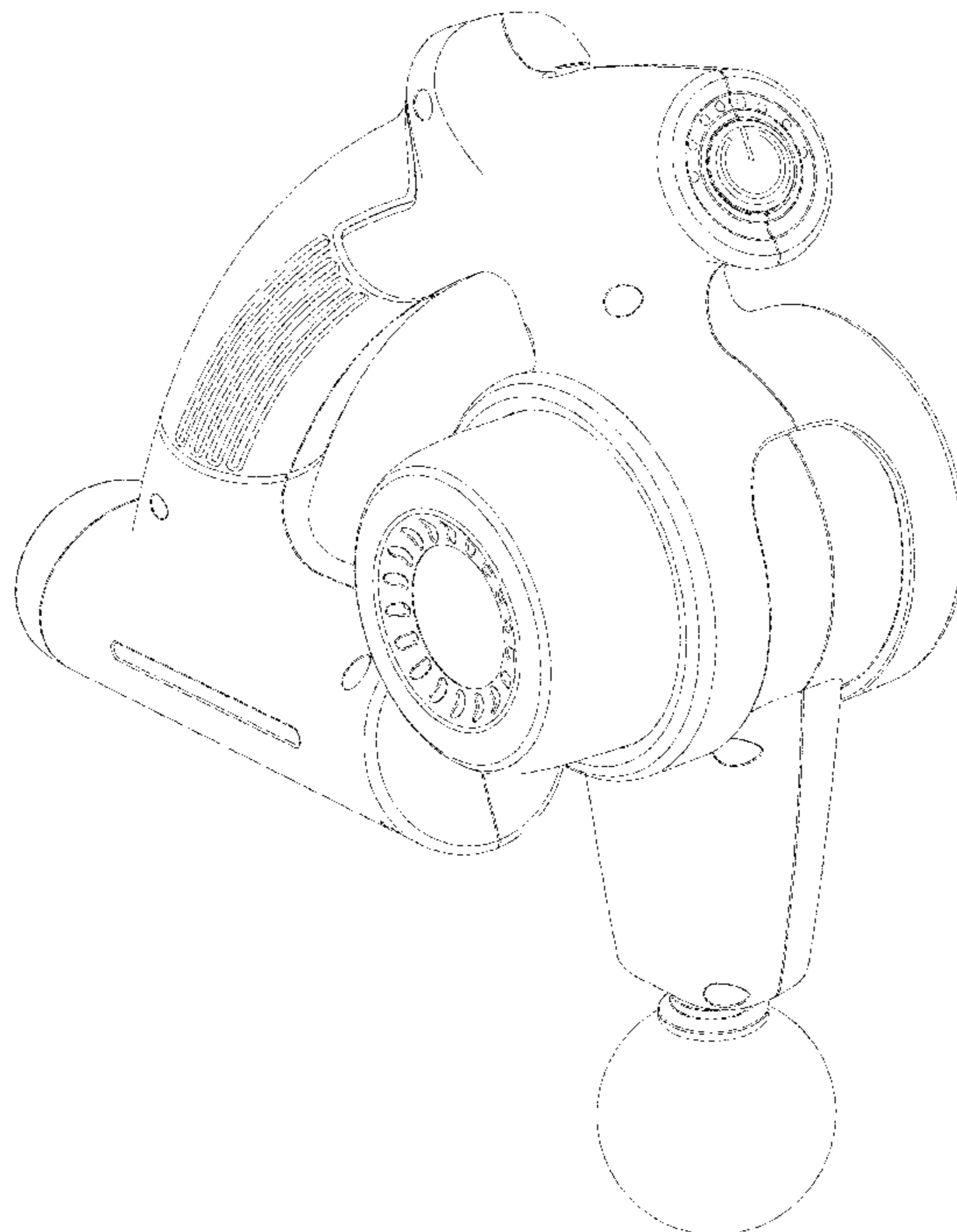
**DESCRIPTION**

FIG. 1 is a front elevational view of a percussive therapy  
device showing my new design;  
FIG. 2 is a rear elevational view thereof;  
FIG. 3 is a left side view thereof;  
FIG. 4 is a right side view thereof;  
FIG. 5 is a top plan view thereof;  
FIG. 6 is a bottom plan view thereof;  
FIG. 7 is a perspective view thereof;  
FIG. 8 is a second perspective view thereof; and,  
FIG. 9 is a third perspective view thereof.  
The broken lines shown in percussive therapy device form  
no part of the claimed design.

(56) **References Cited**  
**U.S. PATENT DOCUMENTS**

D847,364 S \* 4/2019 Lee ..... D24/215  
10,357,425 B2 \* 7/2019 Wersland ..... A61H 1/008  
10,428,850 B2 \* 10/2019 Wersland ..... A61H 1/008  
10,470,970 B2 \* 11/2019 Nazarian ..... A61H 15/0085  
D877,351 S \* 3/2020 Wersland ..... D24/215  
D879,985 S \* 3/2020 Wersland ..... D24/214  
D879,986 S \* 3/2020 Wersland ..... D24/214  
D880,716 S \* 4/2020 Wersland ..... D24/215  
D884,915 S \* 5/2020 Wersland ..... D24/215  
D885,601 S \* 5/2020 Wersland ..... D24/215  
D887,573 S \* 6/2020 Wersland ..... D24/215

**1 Claim, 9 Drawing Sheets**



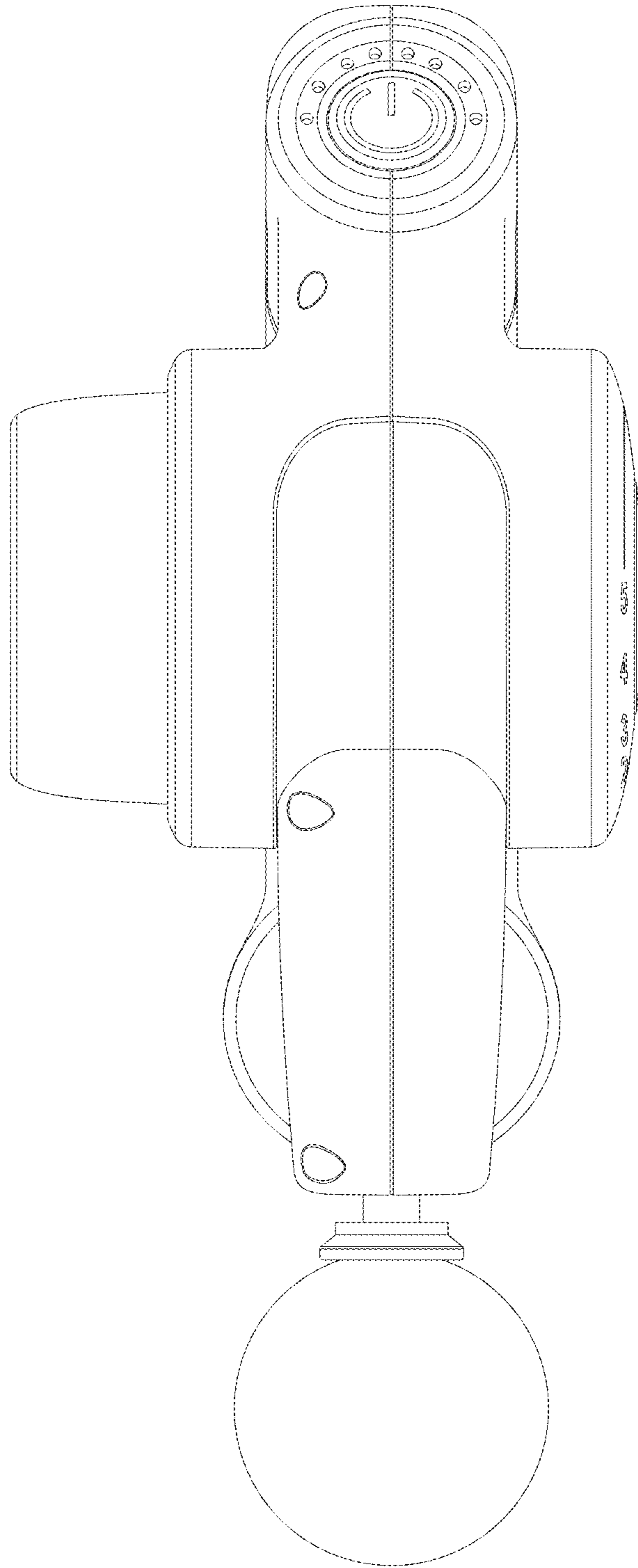


FIG. 1

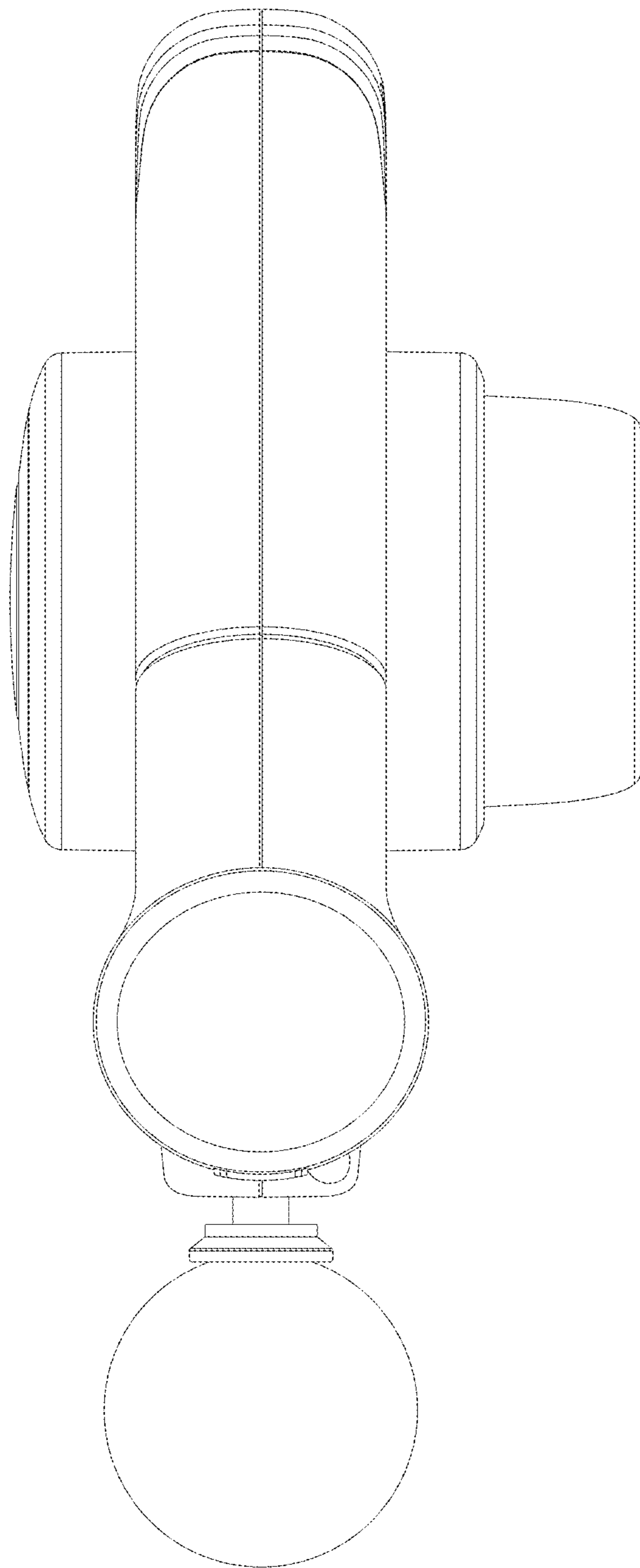


FIG. 2

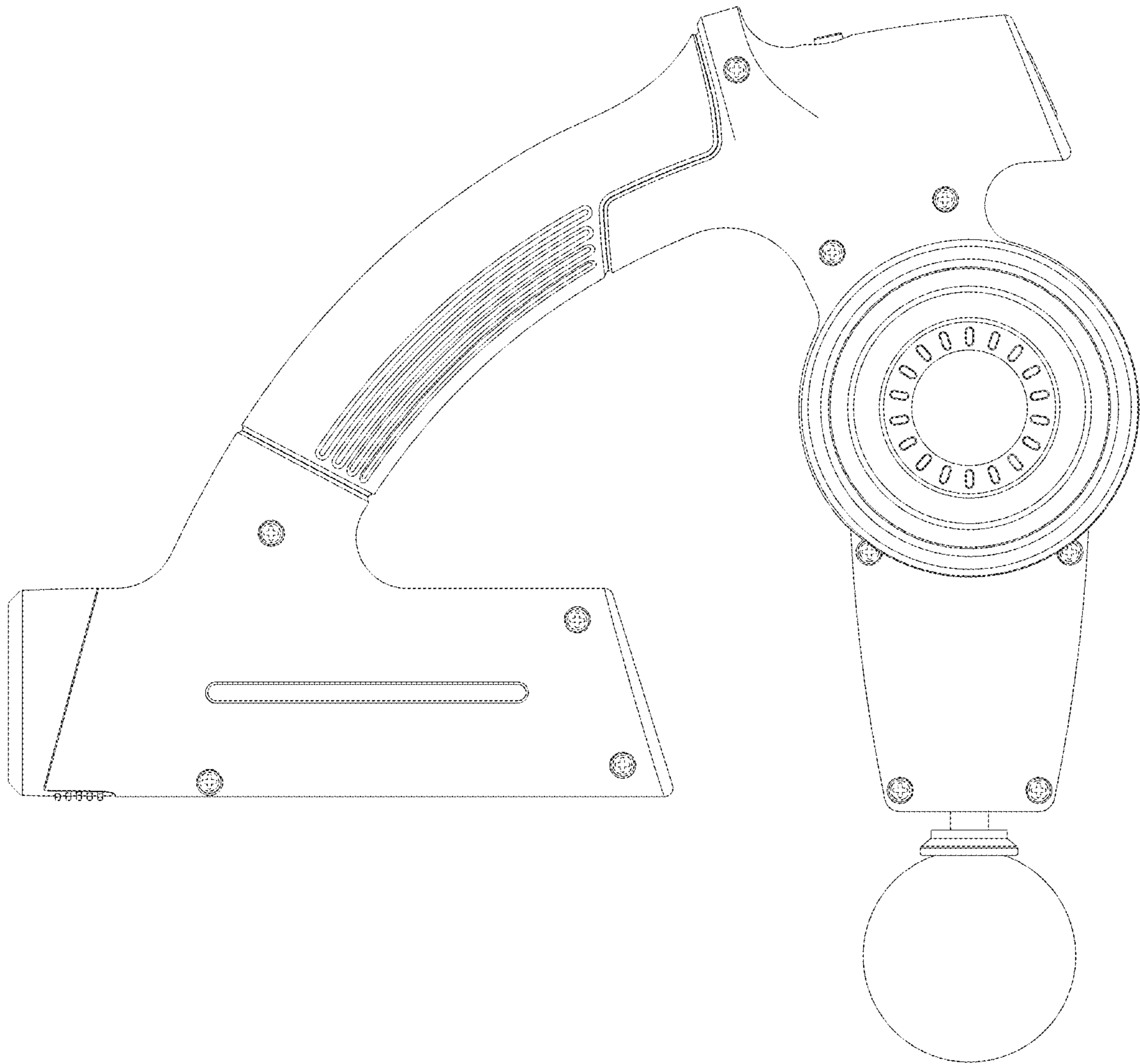


FIG. 3

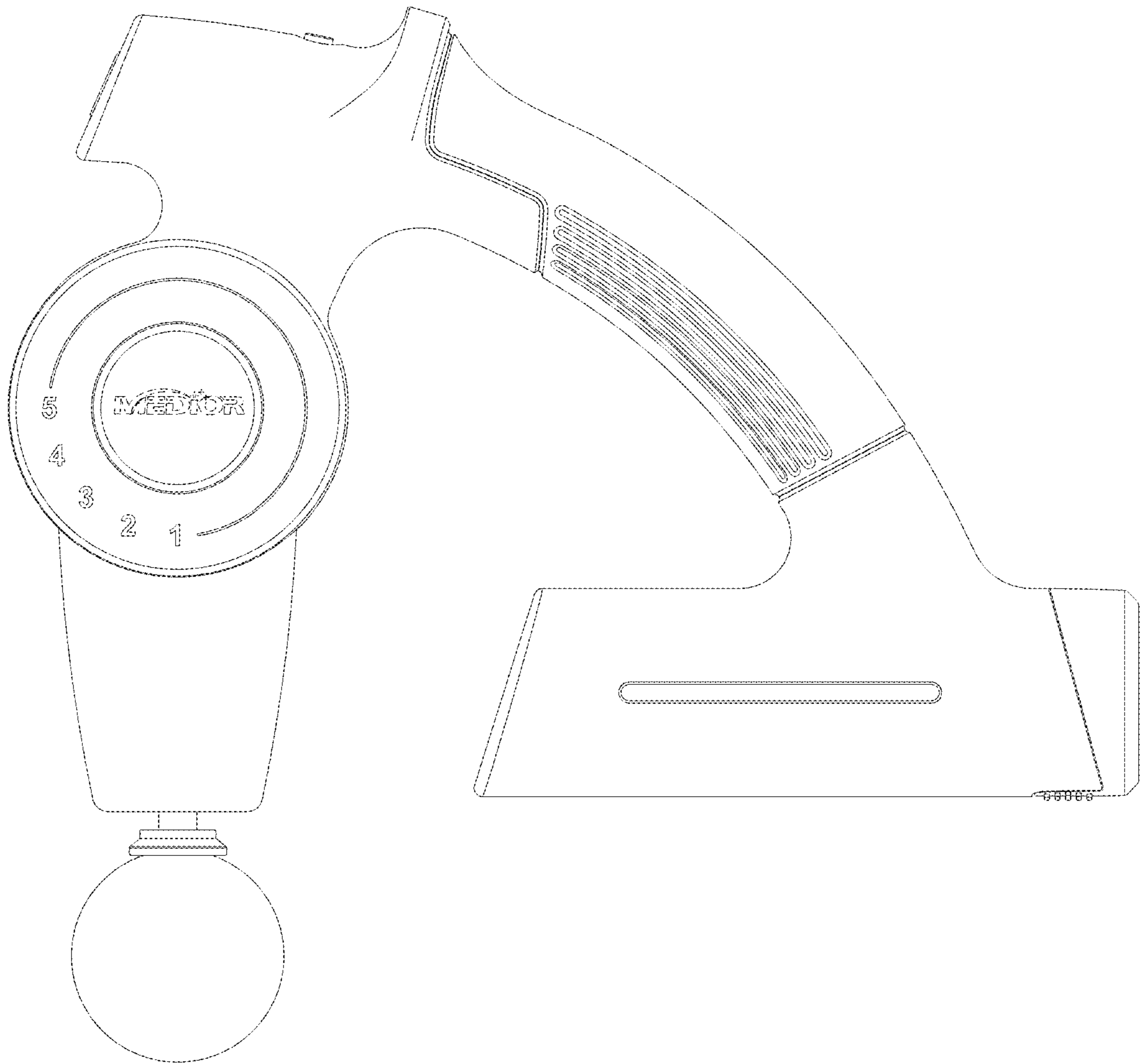


FIG. 4

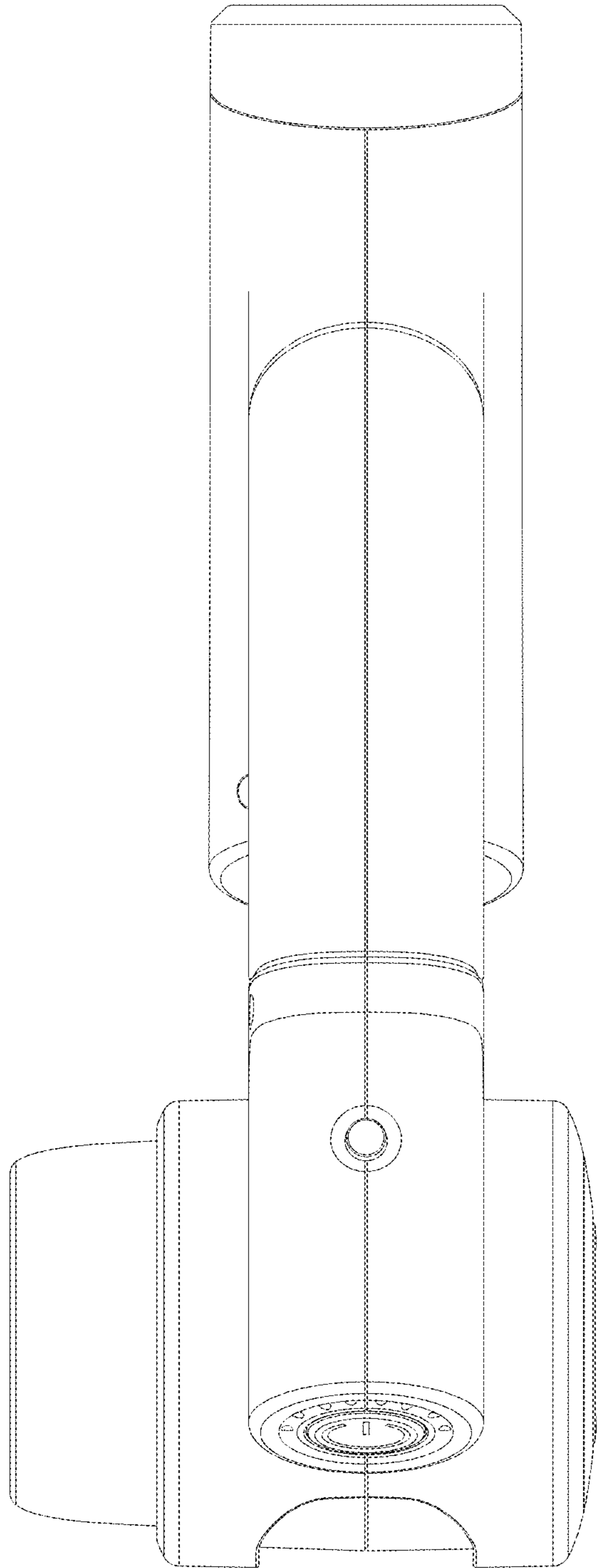


FIG. 5

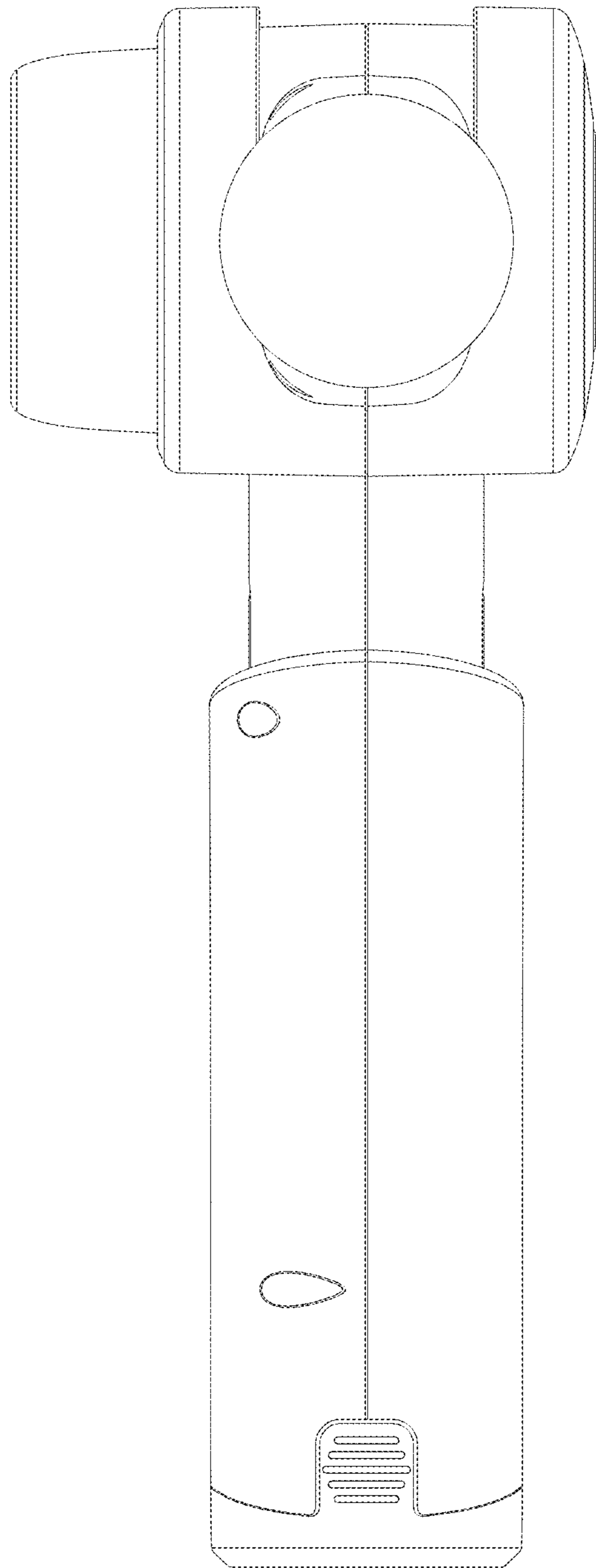


FIG. 6

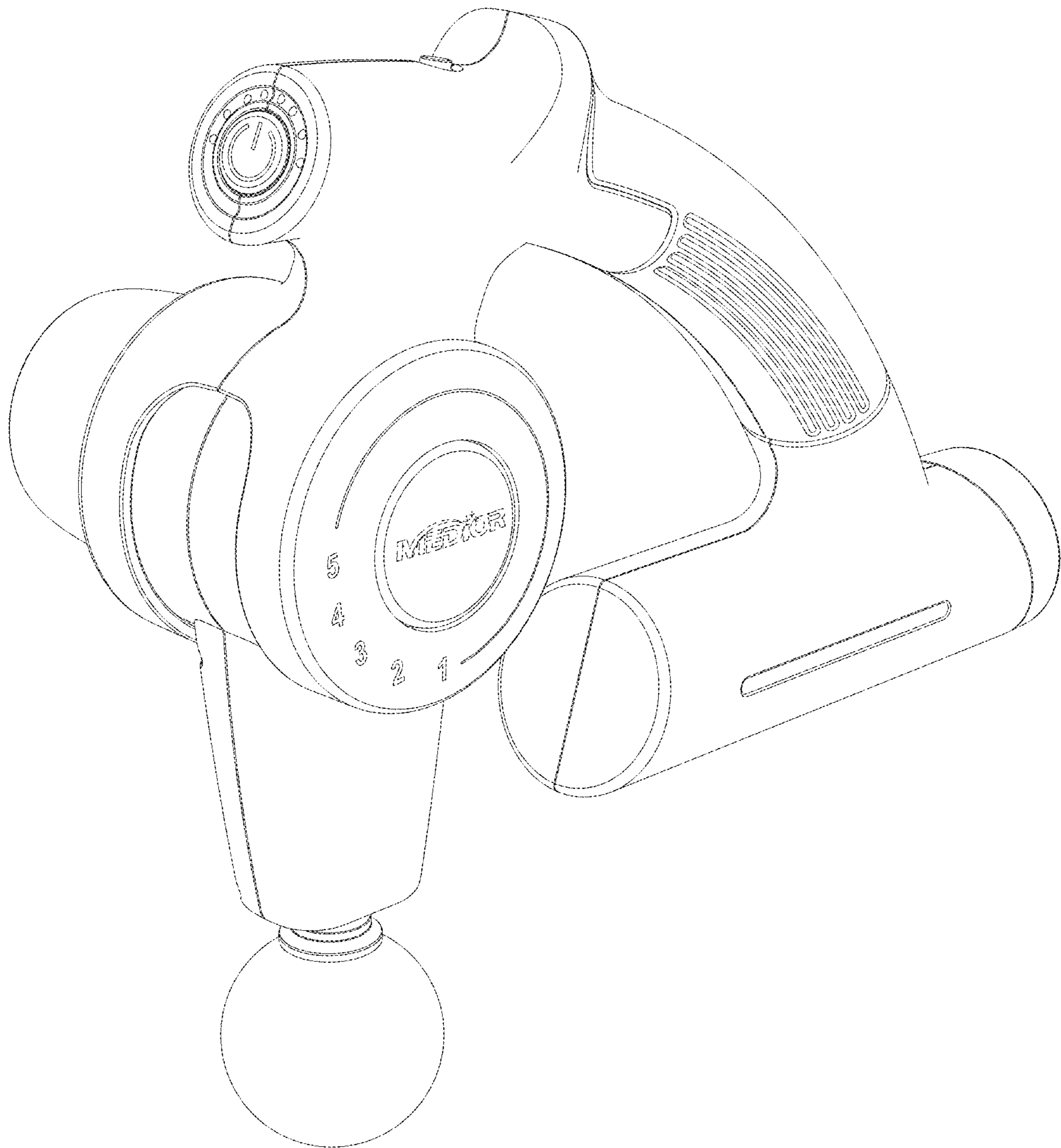


FIG. 7



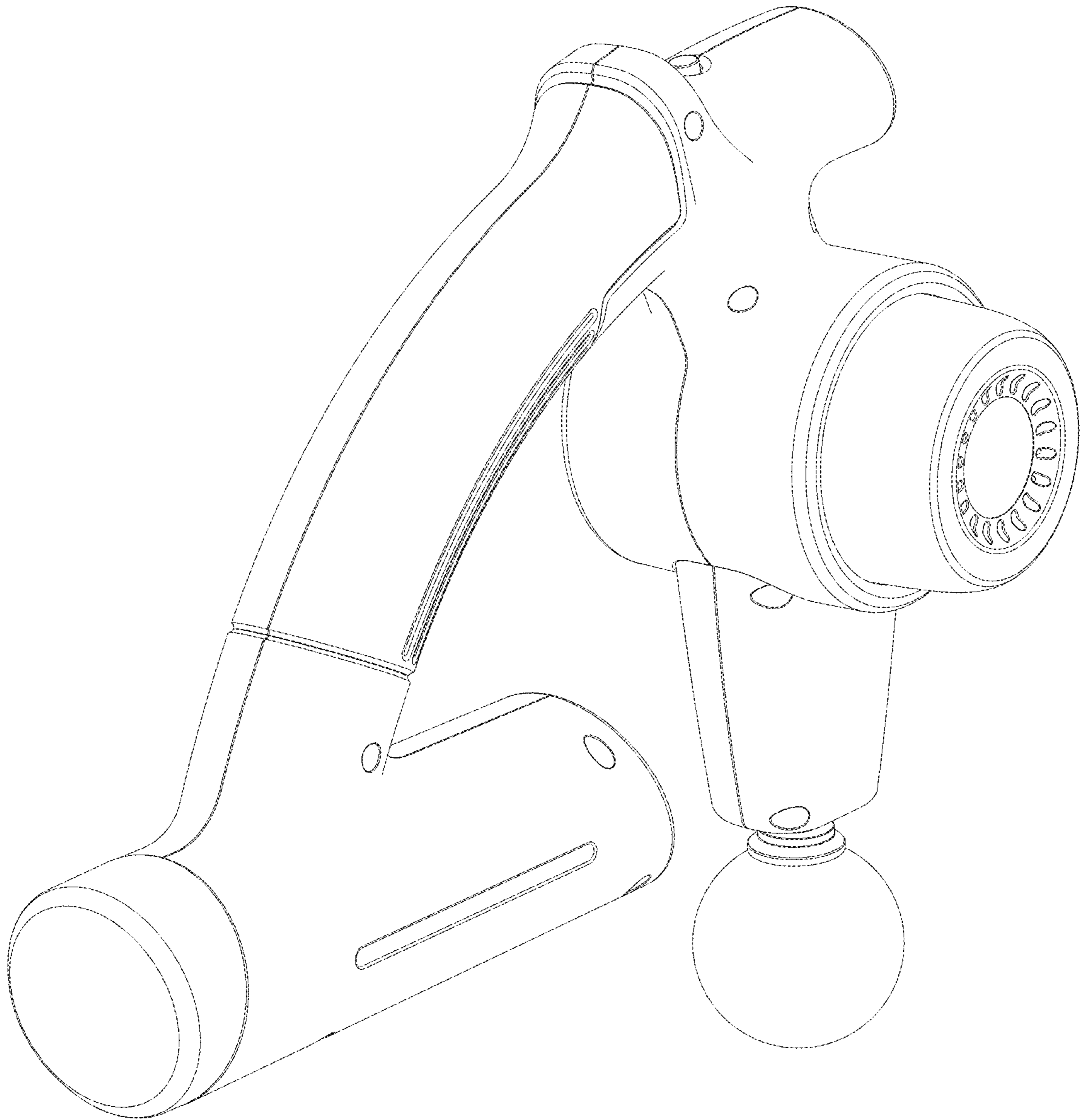


FIG. 8

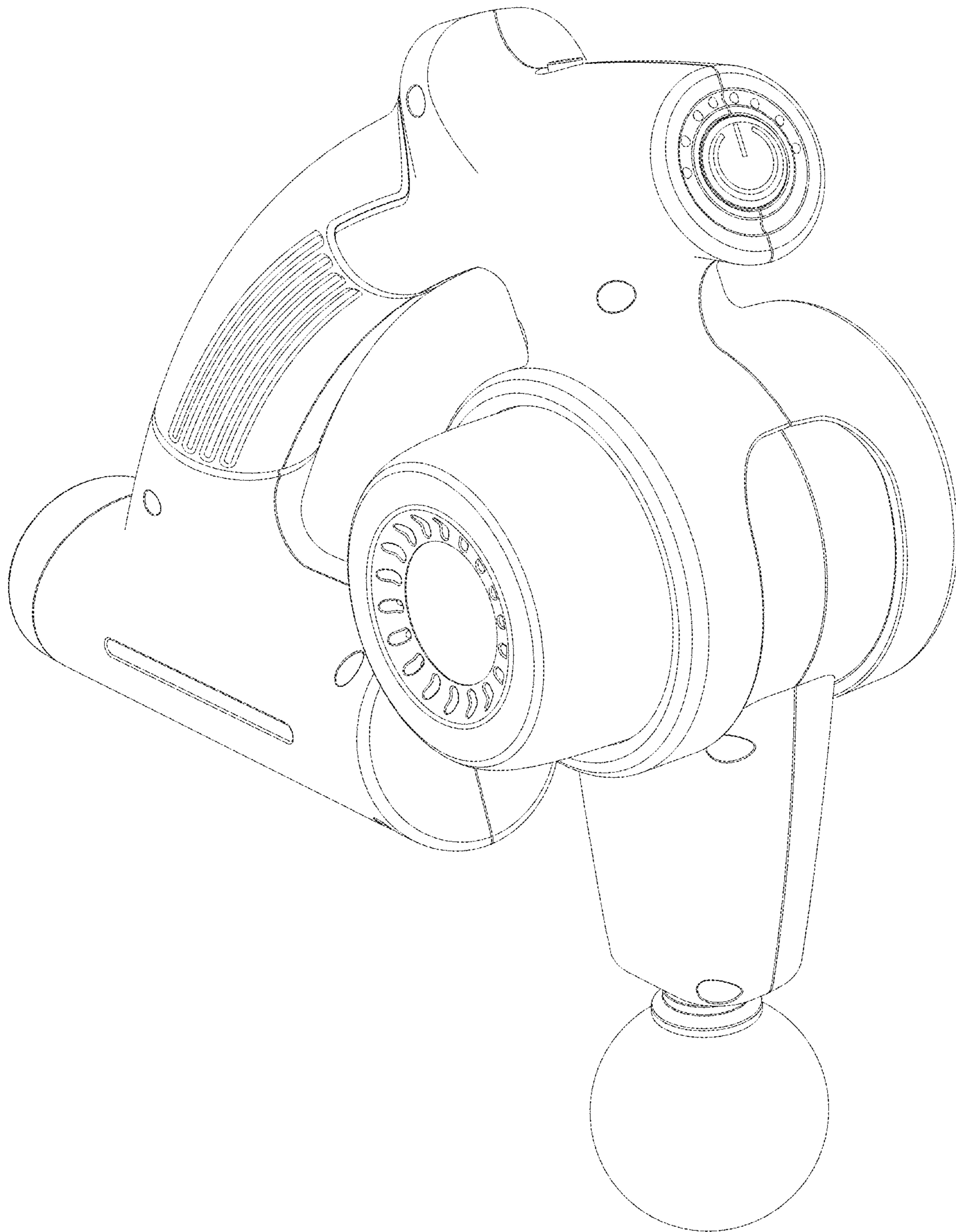


FIG. 9