



US00D912833S

(12) **United States Design Patent** (10) **Patent No.:** **US D912,833 S**  
**Neseem** (45) **Date of Patent:** **\*\* Mar. 9, 2021**

(54) **ARM BRACE**  
(71) Applicant: **Kahkashan Neseem**, Arlington, VA (US)  
(72) Inventor: **Kahkashan Neseem**, Arlington, VA (US)  
(\*\*) Term: **15 Years**  
(21) Appl. No.: **29/692,424**  
(22) Filed: **May 24, 2019**  
(51) **LOC (13) Cl.** ..... **24-04**  
(52) **U.S. Cl.**  
USPC ..... **D24/190**  
(58) **Field of Classification Search**  
USPC ..... D2/624, 610, 612, 616, 617, 621, 980, D2/983-988, 994; D24/187-192, 200, D24/206, 212, 213; D29/100, 101.1, D29/101.2, 102, 108, 113, 115, 116.1, D29/116.3, 117.1, 117.2, 118, 120.1, D29/121.1, 121.2, 123  
CPC ..... A61F 5/3738; A61F 5/3753; A61F 5/019; A61F 5/3723; A61F 5/373; A61F 5/3746; A61F 5/0118; A61F 13/10; A47C 20/023; A61G 13/1235; Y10S 128/15  
See application file for complete search history.

2003/0126684 A1\* 7/2003 Han ..... A47C 20/023 5/630  
2006/0293623 A1\* 12/2006 Carroll ..... A61F 5/3723 602/20  
2007/0250965 A1\* 10/2007 Sioul ..... A41D 13/0002 2/24  
2013/0253392 A1\* 9/2013 Chiang ..... A61F 5/0104 602/5

**OTHER PUBLICATIONS**

Amazon.Tendonitis—Bicep & Tricep Compression Sleeve/Wrap—Tricep Tendonitis, Bicep Tendonitis—Pain Relief for Bicep and Tricep Muscle Strains, Compression Arm Suppor (Black, 8.3"-13.7"). Apr. 23, 2019. <https://amzn.to/3bJs1qg> (Year: 2019).\*

\* cited by examiner

*Primary Examiner* — Darcey E Gottschalk  
(74) *Attorney, Agent, or Firm* — Maier & Maier, PLLC

(57) **CLAIM**

The ornamental design for an arm brace, as shown and described.

**DESCRIPTION**

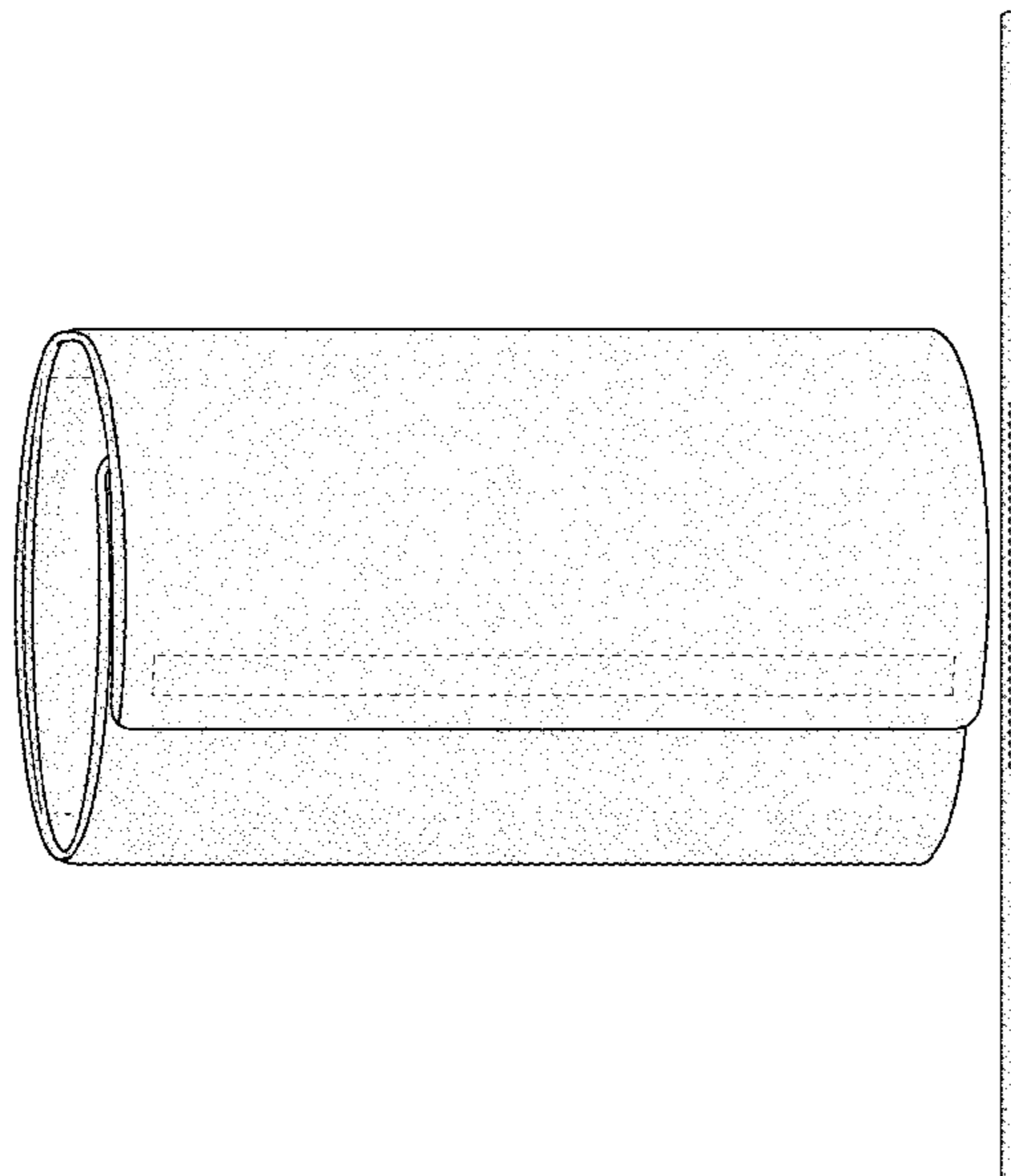
FIG. 1 is a top-rear-left isometric view of an arm brace, showing my design;  
FIG. 2 is a top plan view thereof;  
FIG. 3 is a bottom plan view;  
FIG. 4 is a front side view of the arm brace shown in an unfolded configuration for clarity of disclosure;  
FIG. 5 is a rear view thereof;  
FIG. 6 is a top view thereof;  
FIG. 7 is a bottom view thereof;  
FIG. 8 is a right view thereof; and,  
FIG. 9 is a left view thereof.  
The broken line showing in the Figures shows portions of the arm brace and forms no part of the claimed design.

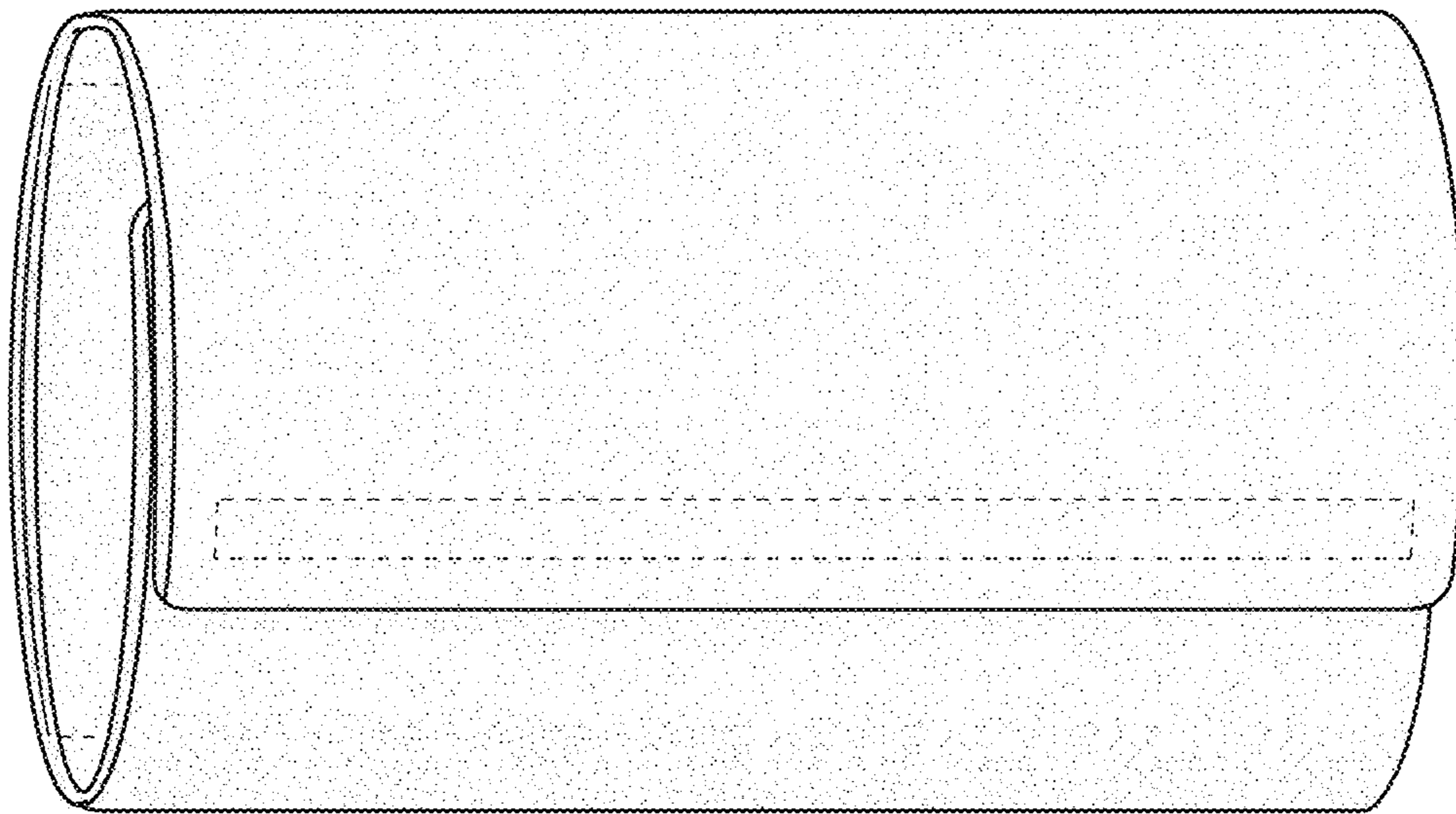
**1 Claim, 5 Drawing Sheets**

(56) **References Cited**

**U.S. PATENT DOCUMENTS**

D707,361 S \* 6/2014 Banks ..... D24/190  
D710,569 S \* 8/2014 Pelengaris ..... D2/627  
D714,019 S \* 9/2014 Griffiths ..... D2/639  
D725,344 S \* 3/2015 Rich ..... D2/624  
D755,398 S \* 5/2016 Devito ..... D24/190  
D785,190 S \* 4/2017 Bell ..... D24/190  
D844,152 S \* 3/2019 Neseem ..... D24/190  
D850,631 S \* 6/2019 McEwen ..... D24/189  
D861,885 S \* 10/2019 McEwen ..... D24/190  
D871,052 S \* 12/2019 Overton ..... D2/980

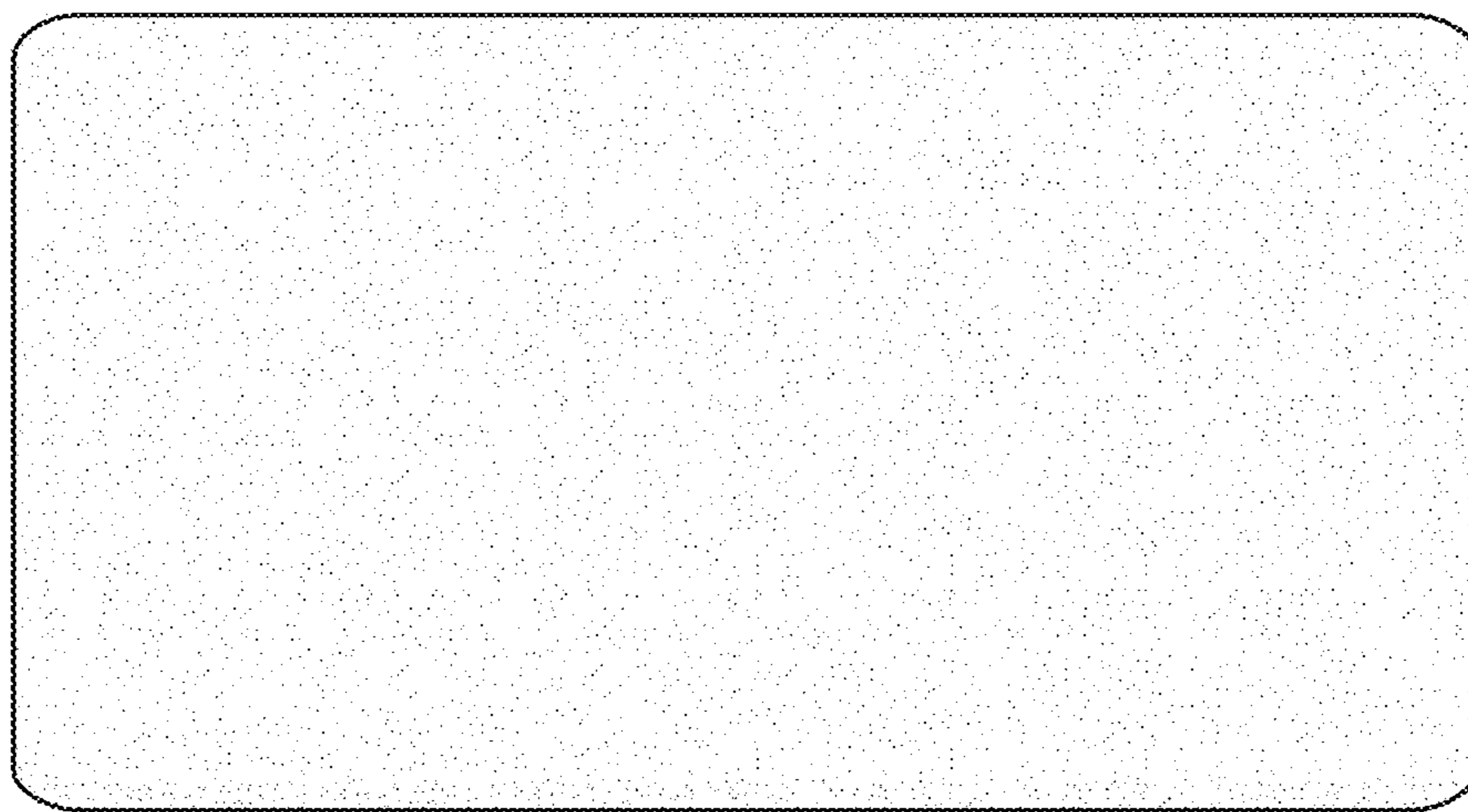




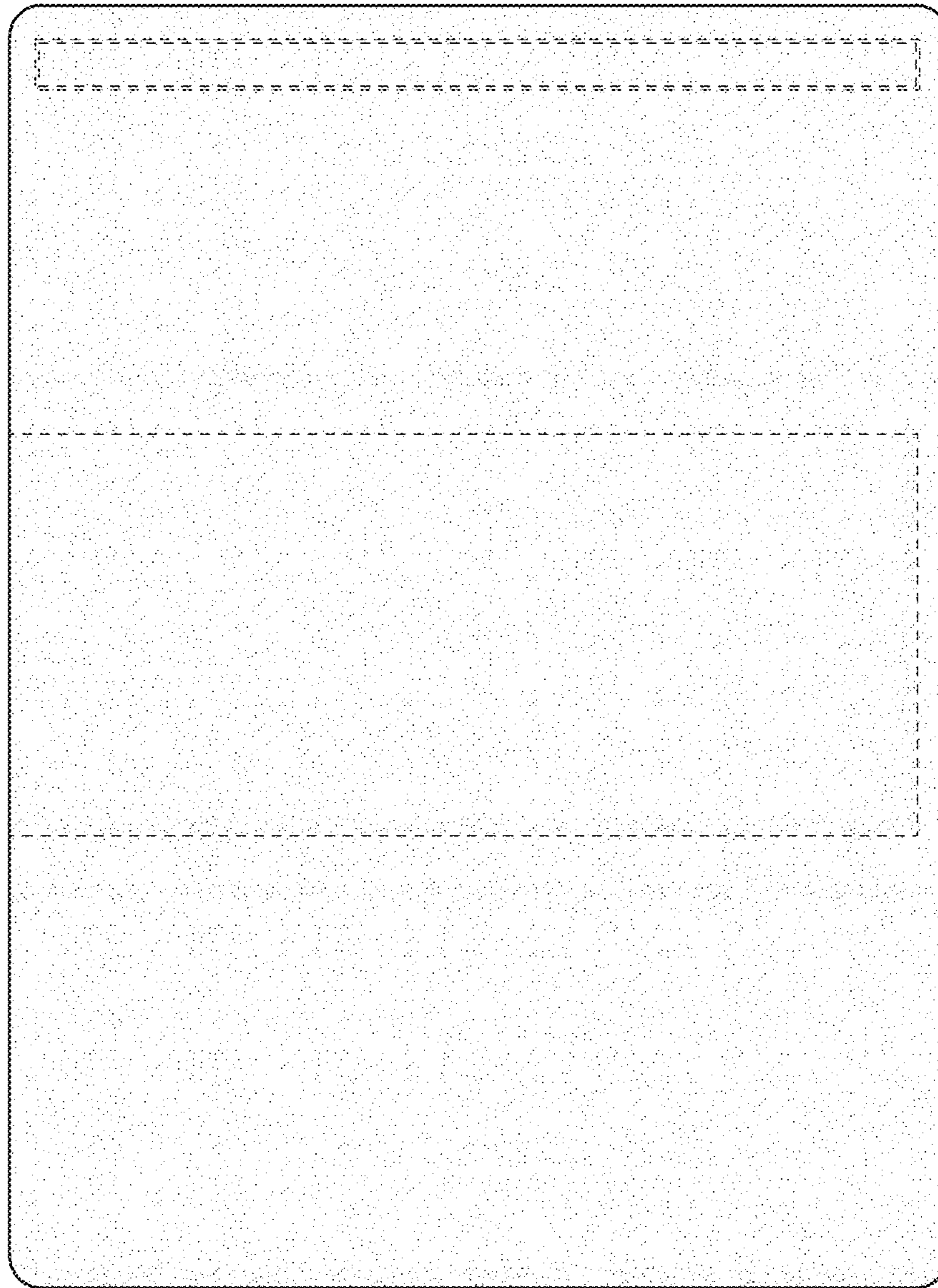
*Fig. 1*



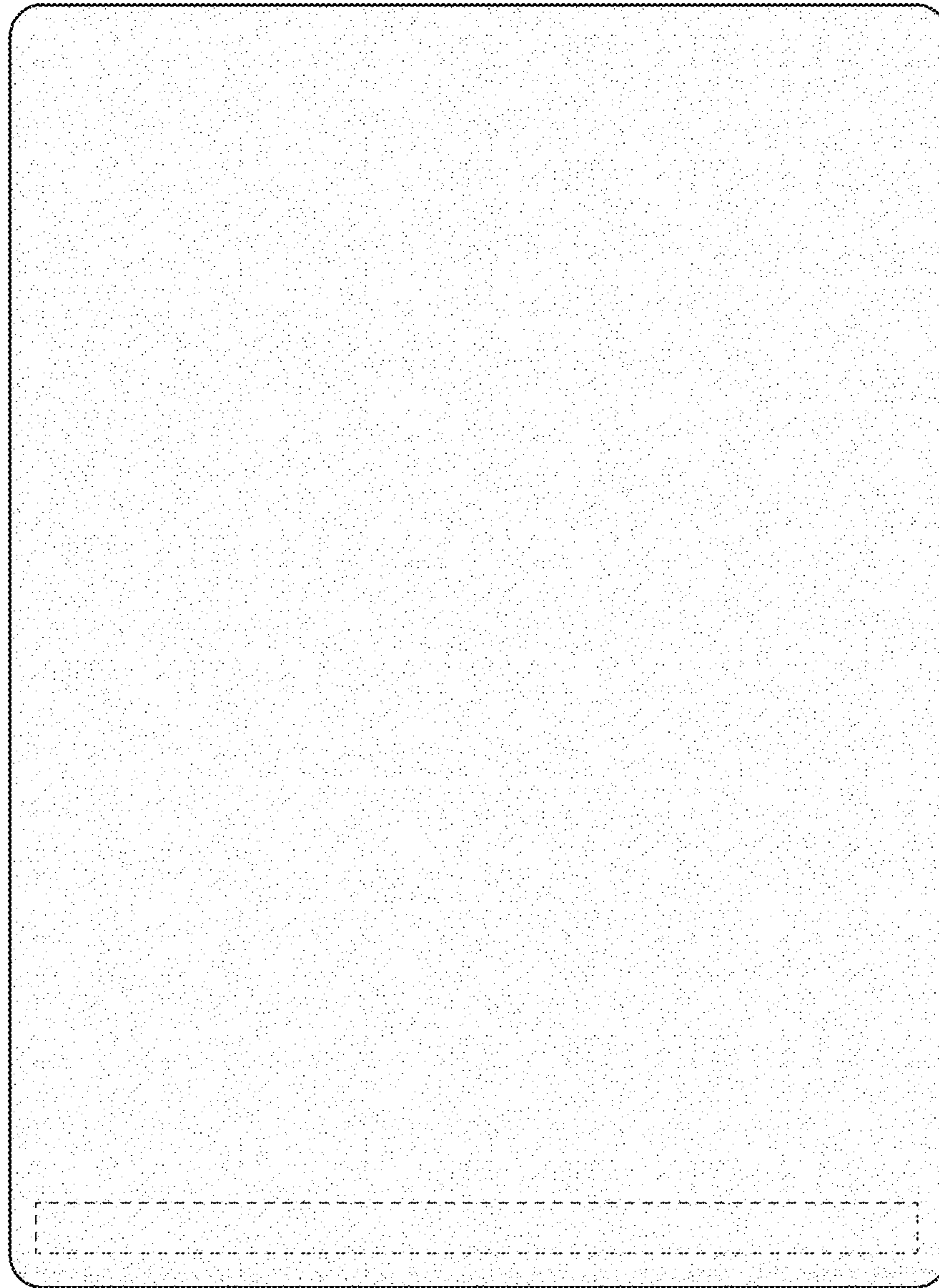
*Fig. 2*



*Fig. 3*



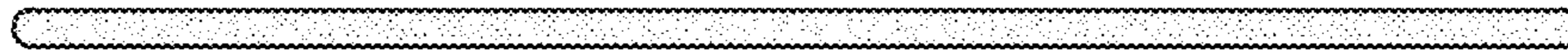
*Fig. 4*



*Fig. 5*



*Fig. 6*



*Fig. 7*



*Fig. 8*



*Fig. 9*