



US00D912831S

(12) **United States Design Patent** (10) **Patent No.:** **US D912,831 S**
Galinis et al. (45) **Date of Patent:** **** Mar. 9, 2021**

(54) **PRE-CUT WOUND DRESSING**

(71) Applicant: **DeRoyal Industries, Inc.**, Powell, TN (US)

(72) Inventors: **Jaimebeth Galinis**, S. Hutchinson Island, FL (US); **Scott Barnes**, Knoxville, TN (US); **Breanna J. Rhyne**, Powell, TN (US)

(73) Assignee: **DeRoyal Industries, Inc.**, Powell, TN (US)

(**) Term: **15 Years**

(21) Appl. No.: **29/704,344**

(22) Filed: **Sep. 4, 2019**

(51) **LOC (13) Cl.** **24-04**

(52) **U.S. Cl.**
USPC **D24/189**

(58) **Field of Classification Search**
USPC D24/188-192, 200, 206, 215
CPC A61F 13/00; A61F 13/023; A61F 15/008;
A61F 15/004; A61M 2025/0246; A61M 25/02;
A61M 25/024; A61M 25/0266; A61M 25/0253

See application file for complete search history.

(56) **References Cited**

U.S. PATENT DOCUMENTS

5,109,874	A *	5/1992	Bellingham	A61F 15/004	128/888
5,885,237	A	3/1999	Kadash et al.			
D662,214	S *	6/2012	Quisenberry	D24/207	
D679,404	S	4/2013	Lattimore et al.			
8,597,217	B2 *	12/2013	Lowe	A61F 7/02	602/13
D757,280	S *	5/2016	Ogaki	D24/200	
D815,294	S *	4/2018	Bartolotta	D24/190	
D854,170	S *	7/2019	Bergstrom	D24/189	

OTHER PUBLICATIONS

Henry Schein. DeRoyal Wound Care Catalog. 2013. <https://www.henryschein.com/assets/Medical/1044047.pdf> (Year: 2013).*

* cited by examiner

Primary Examiner — Darcey E Gottschalk
(74) *Attorney, Agent, or Firm* — Luedeka Neely Group, PC

(57) **CLAIM**

The ornamental design for a pre-cut wound dressing, as shown and described.

DESCRIPTION

FIG. 1 is an upper perspective view of a pre-cut wound dressing of our new design.

FIG. 2 is a front plan view of the pre-cut wound dressing of FIG. 1.

FIG. 3 is a rear plan view of the pre-cut wound dressing of FIG. 1.

FIG. 4 is a right side view of the pre-cut wound dressing of FIG. 1.

FIG. 5 is a left side of the pre-cut wound dressing of FIG. 1.

FIG. 6 is a top view of the pre-cut wound dressing of FIG. 1.

FIG. 7 is a bottom view of the pre-cut wound dressing of FIG. 1.

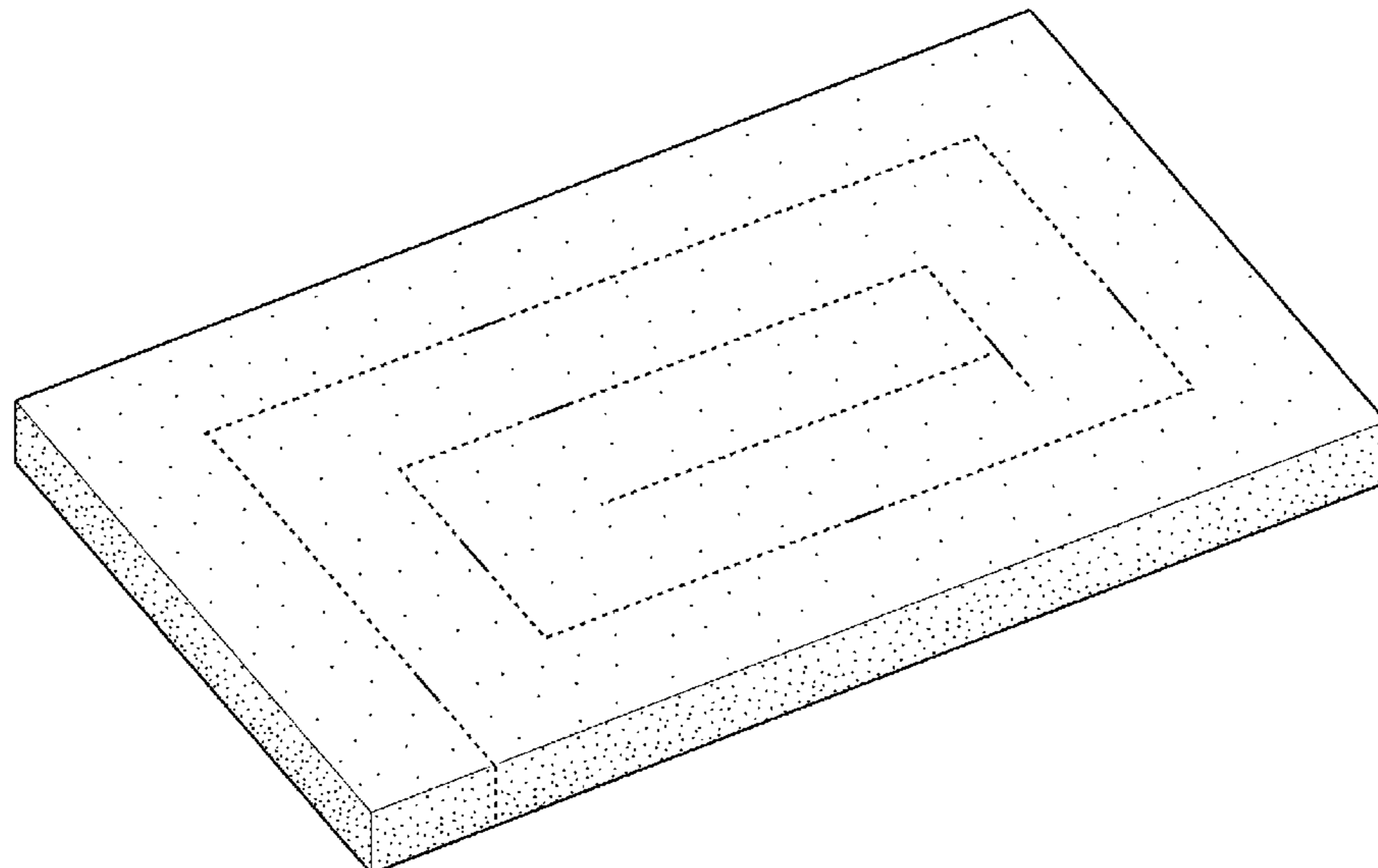
FIG. 8 shows an alternate configuration of the pre-cut wound dressing of FIG. 1 shown with a portion removed along the cut lines.

FIG. 9 shows another alternate configuration thereof with two portions removed along the cut lines; and,

FIG. 10 shows a third alternate configuration thereof with three portions removed along the cut lines.

The dashed lines show cut lines where the wound dressing is pre-cut.

1 Claim, 7 Drawing Sheets



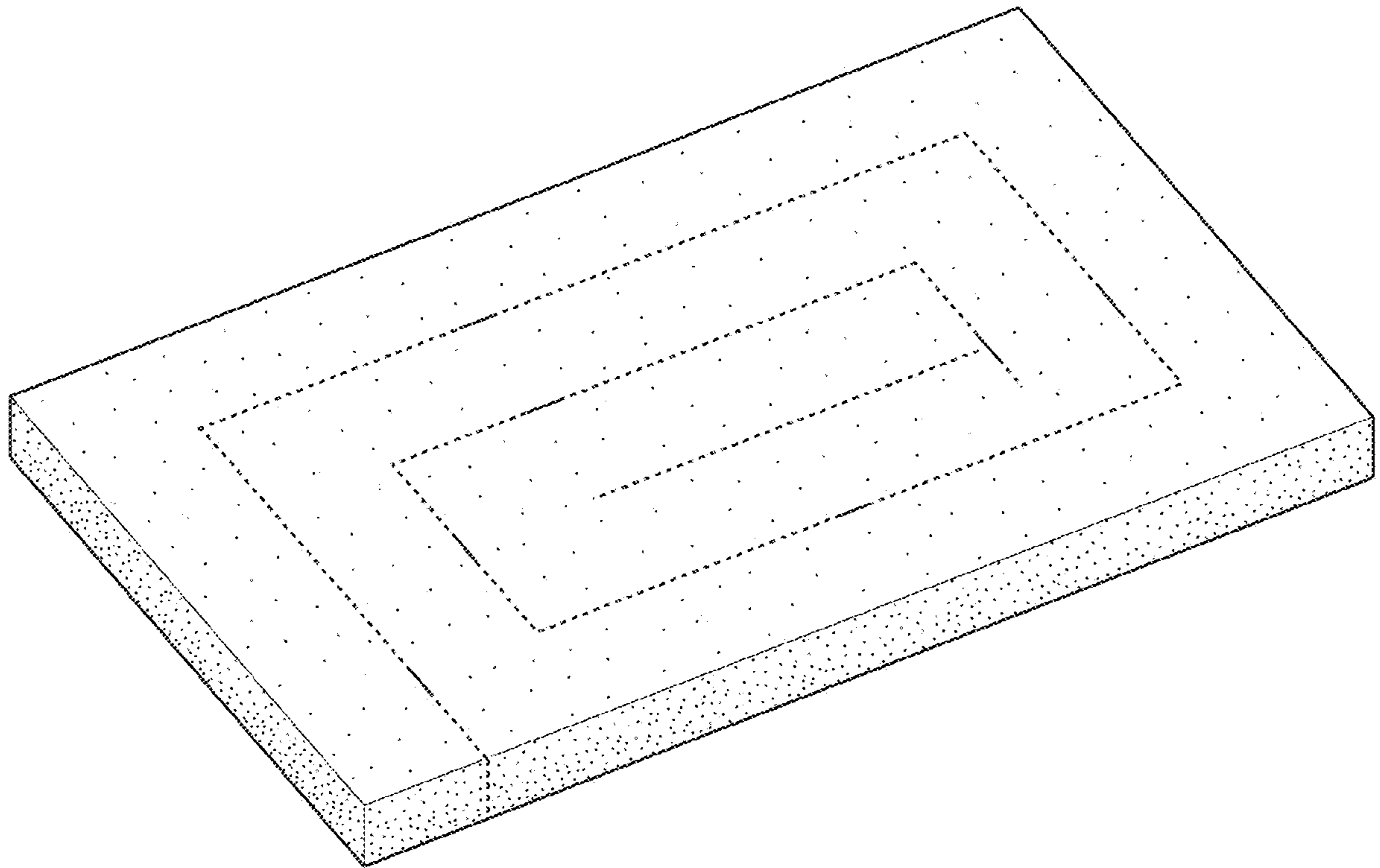


FIG. 1

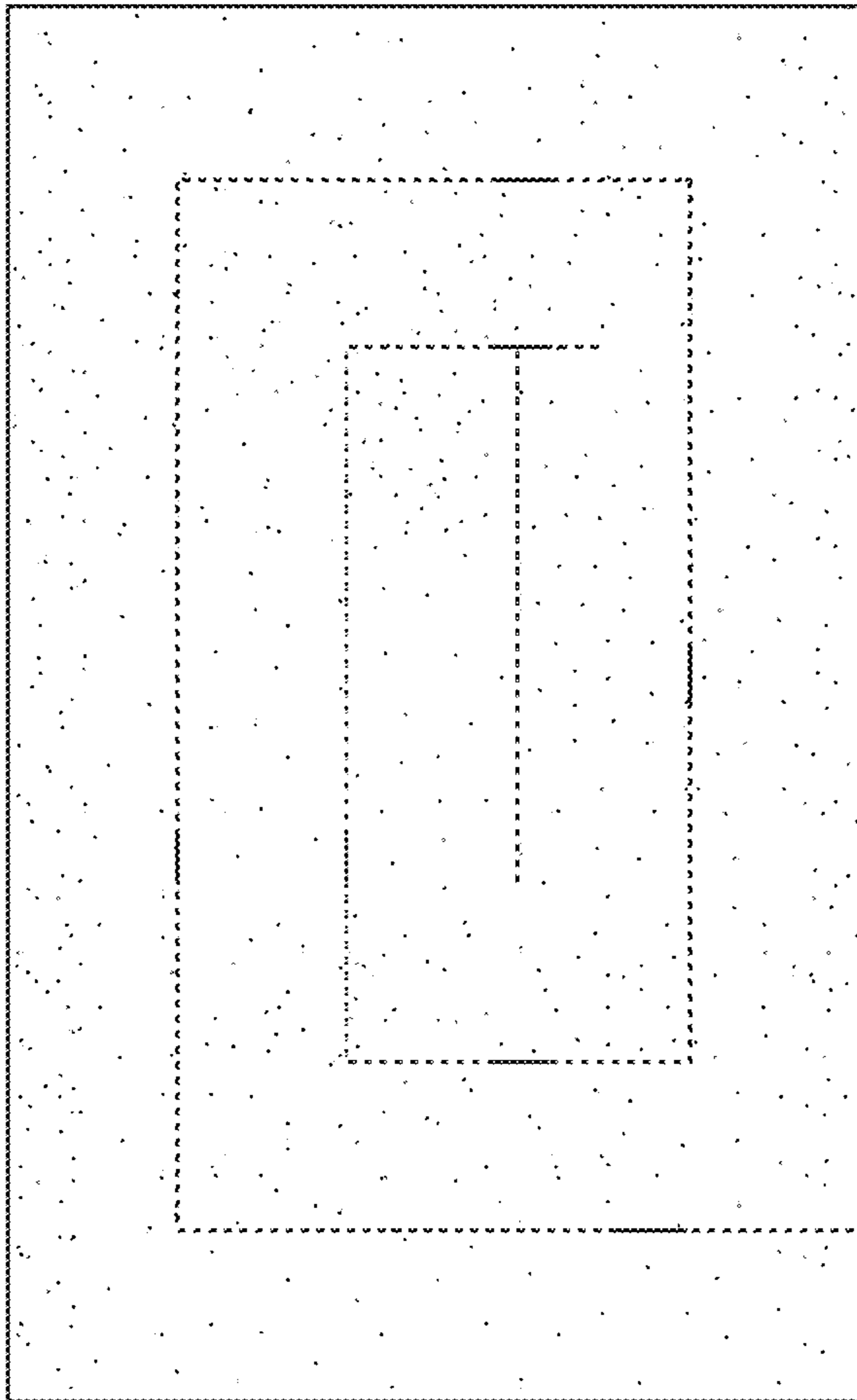


FIG. 2

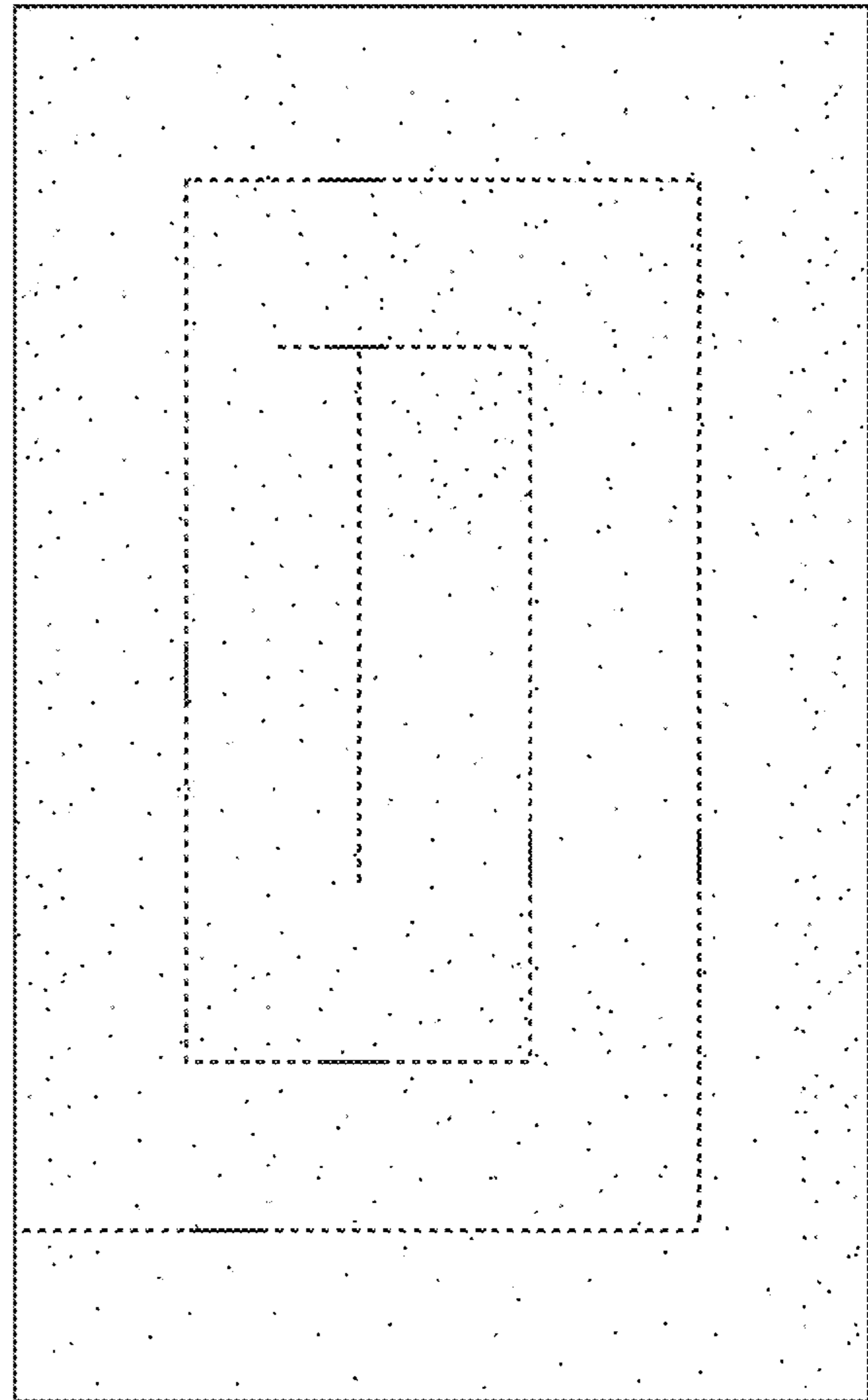


FIG. 3



FIG. 4



FIG. 5



FIG. 6



FIG. 7

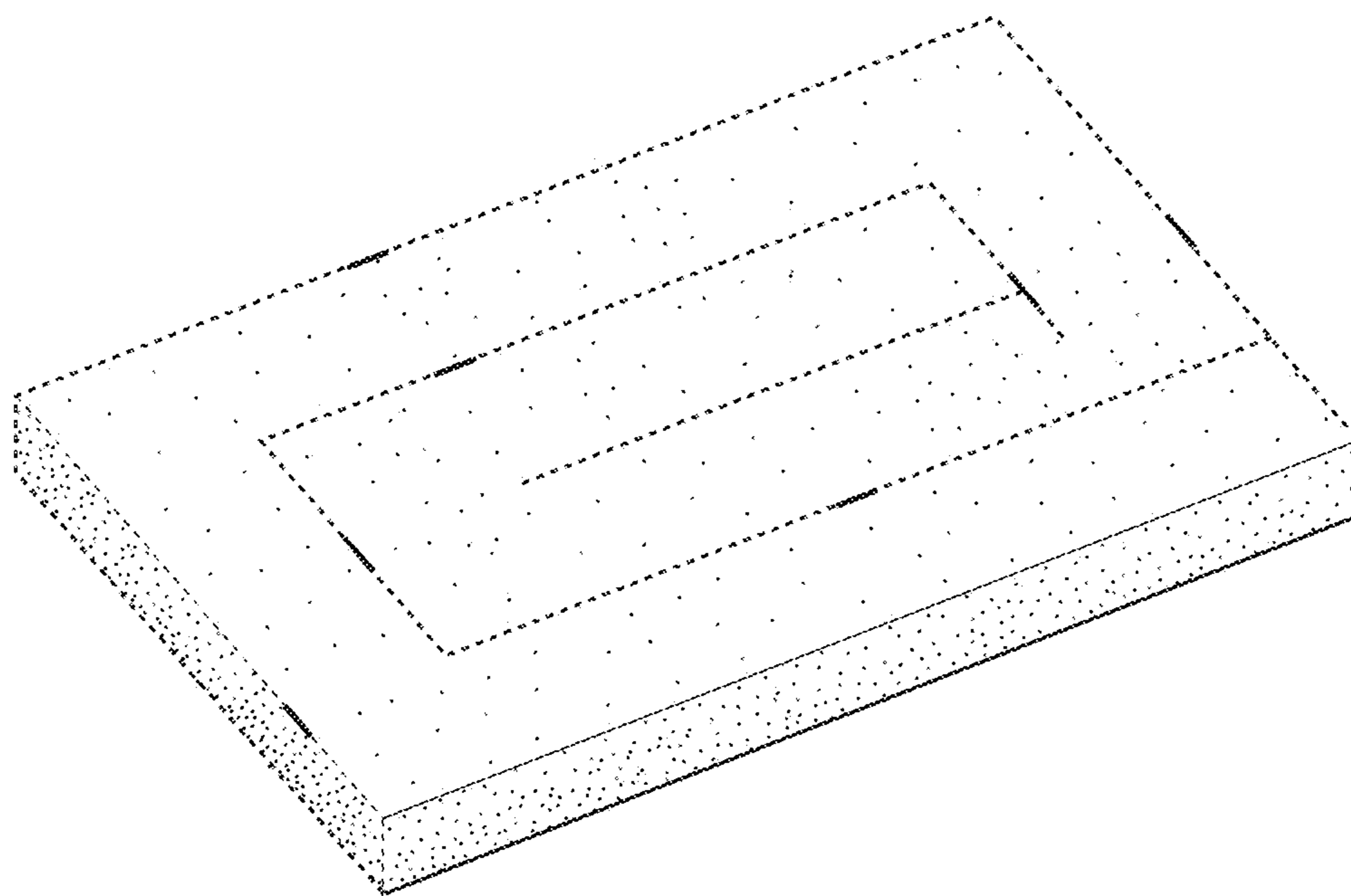


FIG. 8

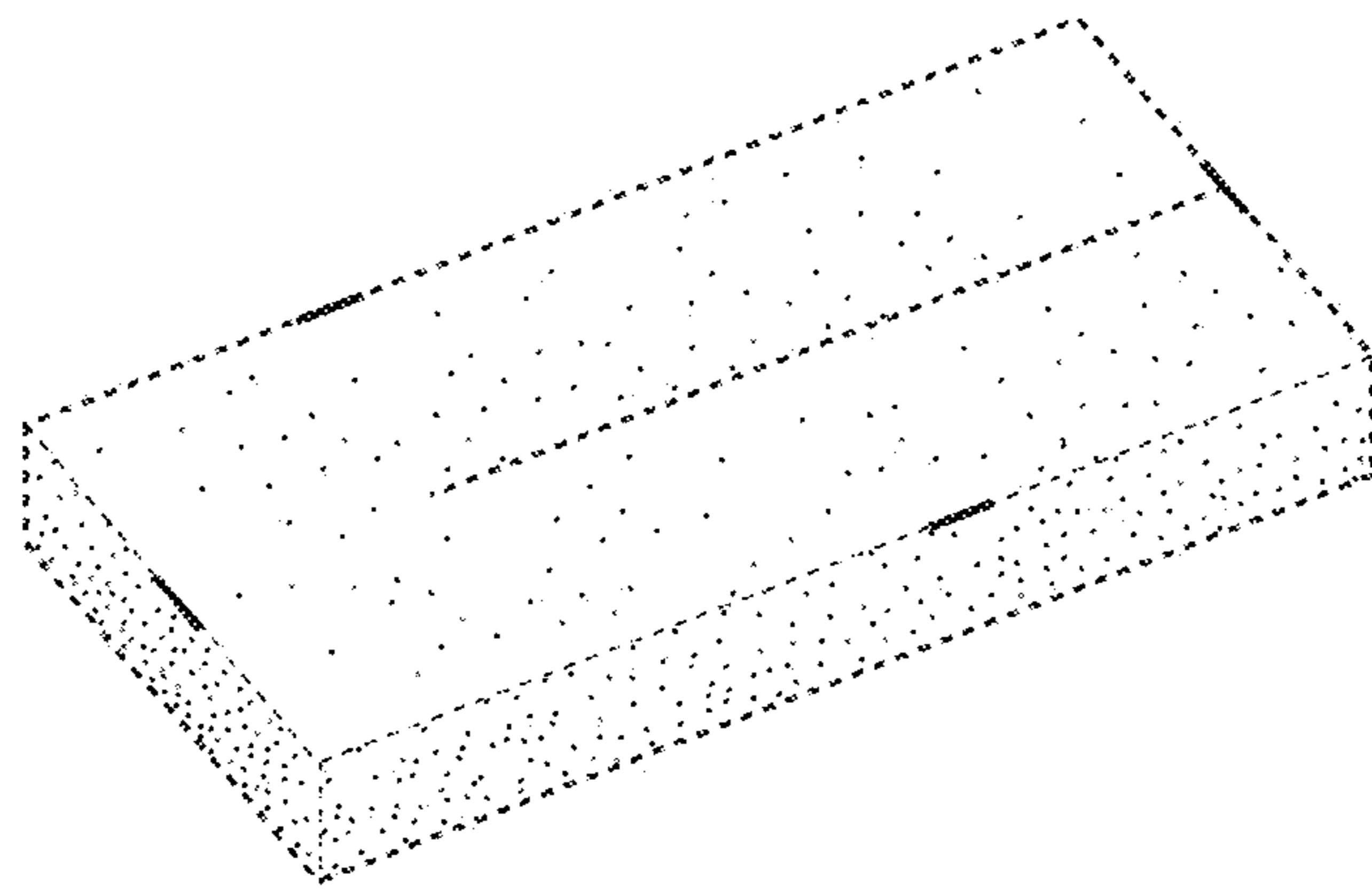


FIG. 9

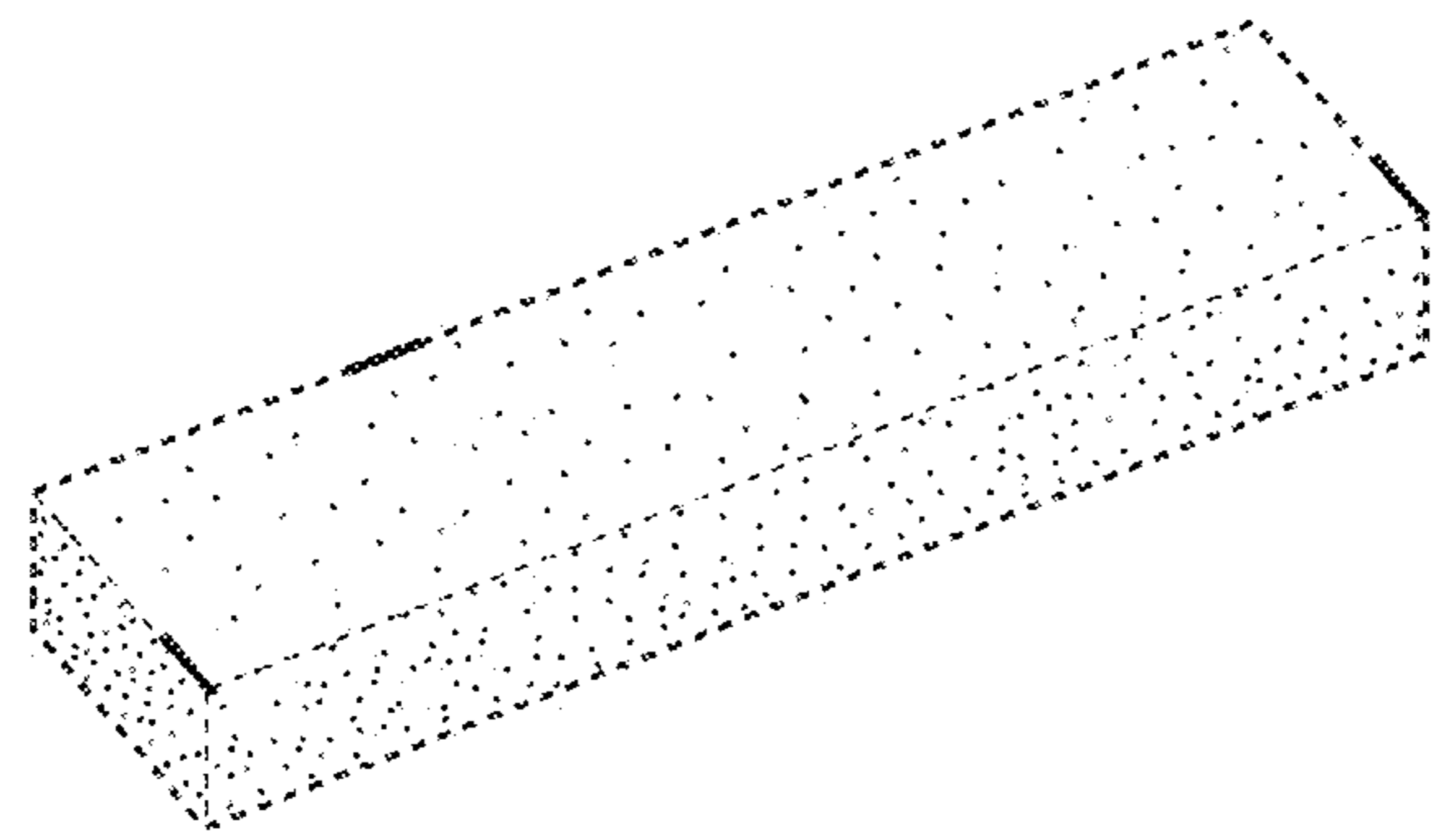


FIG. 10