



US00D912830S

(12) **United States Design Patent**
Eisen et al.

(10) **Patent No.:** **US D912,830 S**
(45) **Date of Patent:** **** Mar. 9, 2021**

(54) **SENSORS CASE FOR WATCH**

(71) Applicant: **Oxitone Medical Ltd.**, Kfar Saba (IL)

(72) Inventors: **Leon Eisen**, Ashdod (IL); **Ofer Harpak**, Kiryat Tivon (IL); **Uzi Ben-Zion**, Mitzpe Aviv (IL); **Avi Shaham**, Sde Varburg (IL)

(73) Assignee: **Oxitone Medical Ltd.**, Kfar Saba (IL)

(**) Term: **15 Years**

(21) Appl. No.: **29/653,718**

(22) Filed: **Jun. 18, 2018**

(51) **LOC (13) Cl.** **24-02**

(52) **U.S. Cl.**
USPC **D24/186**

(58) **Field of Classification Search**

USPC D10/1-2, 5, 7, 14-15, 22, 24, 40-41,
D10/122-124, 126-130, 104.1, 104.2,
D10/106.94, 114.9; D14/344; D24/167,
D24/186

CPC G04B 19/00; G04B 19/04; G04B 19/042;
G04B 19/046; G04B 19/048; G04B
19/06; G04B 19/08; G04B 19/085; G04B
19/087; G04B 19/10; G04B 19/12; G04B
19/26; G04B 19/262; G04B 19/264;
G04B 19/268; G04B 21/08; G04B 23/00;
G04B 23/03; G04B 23/028; G04B
23/008; G04B 37/00;

(Continued)

(56) **References Cited**

U.S. PATENT DOCUMENTS

4,006,587 A * 2/1977 Huguenin A44C 5/147
368/281
D535,205 S * 1/2007 Frederick D10/104.1

(Continued)

OTHER PUBLICATIONS

Oxitone Wrist Sensor Wearable | posted at silanereads.com Jul. 2019 [online]. © Silane News [retrieved Jan. 21, 2020] from Internet: <http://silanereads.com/news/apps-gadgets-aim-to-improve-health?uid=4611> (Year: 2019).*

(Continued)

Primary Examiner — Katherine Glennon

(74) *Attorney, Agent, or Firm* — Mintz Levin Cohn Ferris Glovsky and Popeo, P.C.

(57) **CLAIM**

The ornamental design for a sensors case for watch, as shown and described.

DESCRIPTION

FIG. 1 illustrates a top perspective view of the sensors case for watch.

FIG. 2 illustrates another top perspective view of the sensors case for watch.

FIG. 3 illustrates a bottom perspective view of the sensors case for watch.

FIG. 4 illustrates a side view of the sensors case for watch.

FIG. 5 illustrates the other side view of the sensors case for watch.

FIG. 6 illustrates a front perspective view of the sensors case for watch.

FIG. 7 illustrates a back perspective view of the sensors case for watch.

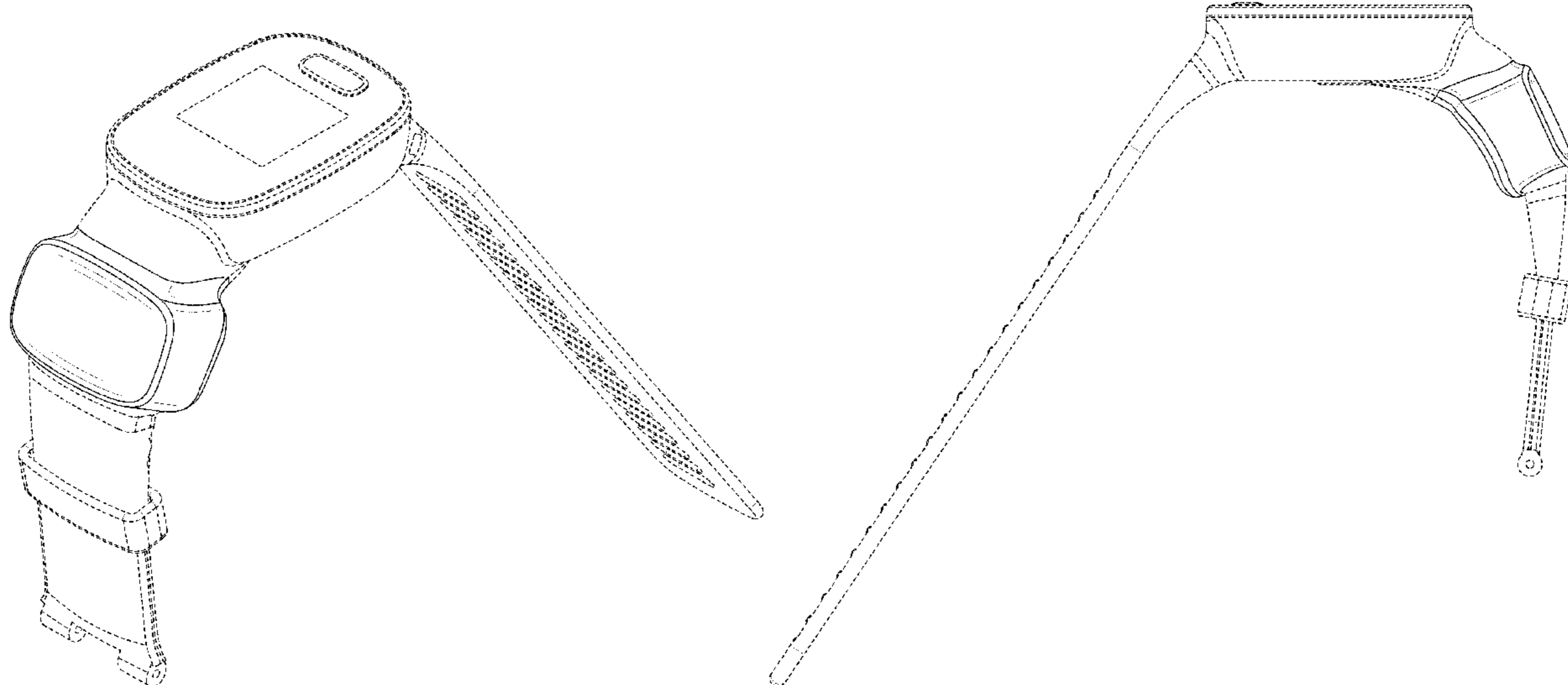
FIG. 8 illustrates a top view of the sensors case for watch.

FIG. 9 illustrates a bottom view of the sensors case for watch; and,

FIG. 10 illustrates a front view of the sensors case for watch.

The broken lines in the drawings illustrate portions of the sensors case for watch that form no part of the claimed design. In FIG. 7, dash-dot-dash lines illustrate the boundary of the claimed design.

1 Claim, 10 Drawing Sheets



(58) **Field of Classification Search**

CPC .. G04B 37/008; G04B 37/0075; G04B 45/04;
 G04B 45/046; G04B 47/048; G04F 1/00;
 G04F 7/06; G04F 7/062; G04F 7/065;
 G04F 8/006; G07C 1/28; A61B 5/02;
 A61B 5/0024; A61B 5/02438; A61B
 5/02444; A61B 5/02427; A61B 5/0255

See application file for complete search history.

(56)

References Cited

U.S. PATENT DOCUMENTS

D552,343 S * 10/2007 Brandenburg D3/215
 D571,249 S * 6/2008 Frederick D10/104.1
 D652,617 S * 1/2012 Chen D3/203.3
 D742,529 S * 11/2015 Huffman D24/186
 D765,656 S * 9/2016 Forakis D10/38
 D778,184 S * 2/2017 Kikstra D10/106.6
 D797,646 S * 9/2017 Ghannam D12/400

D801,198 S * 10/2017 Small D10/46
 D804,042 S * 11/2017 Cohrs D24/186
 9,880,588 B2 * 1/2018 Park G06F 1/1652
 D809,995 S * 2/2018 Ghannam D12/400
 9,996,758 B2 * 6/2018 Rice G06K 9/00885
 D823,274 S * 7/2018 Hu D14/155
 D828,189 S * 9/2018 Benedetti D10/70
 10,463,141 B2 * 11/2019 Fitzgerald A45F 5/02
 D868,977 S * 12/2019 Vardi D24/186
 2014/0200423 A1 * 7/2014 Eisen A61B 5/14551
 600/340
 2018/0279889 A1 * 10/2018 Lee A61B 5/6831
 2020/0015723 A1 * 1/2020 Eisen A61B 5/14552

OTHER PUBLICATIONS

Oxitone Qxitone Wrist Sensor Specification | posted at oxitone.com
 no date [online]. © 2020 Oxitone [retrieved Jan. 21, 2020] from
 Internet: <<https://www.oxitone.com/oxitone-1000m/>> (Year: 2020).*

* cited by examiner

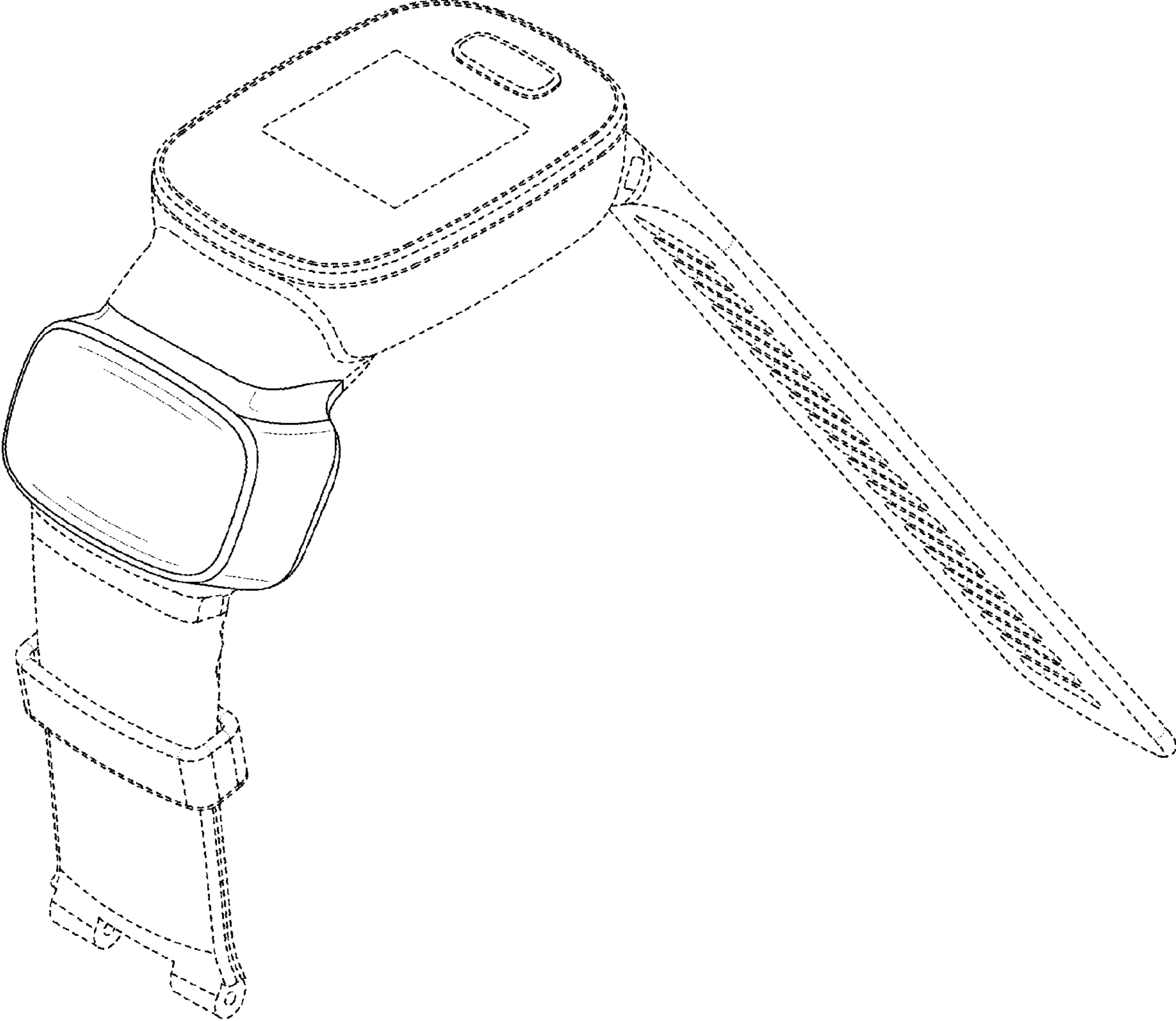


FIG. 1

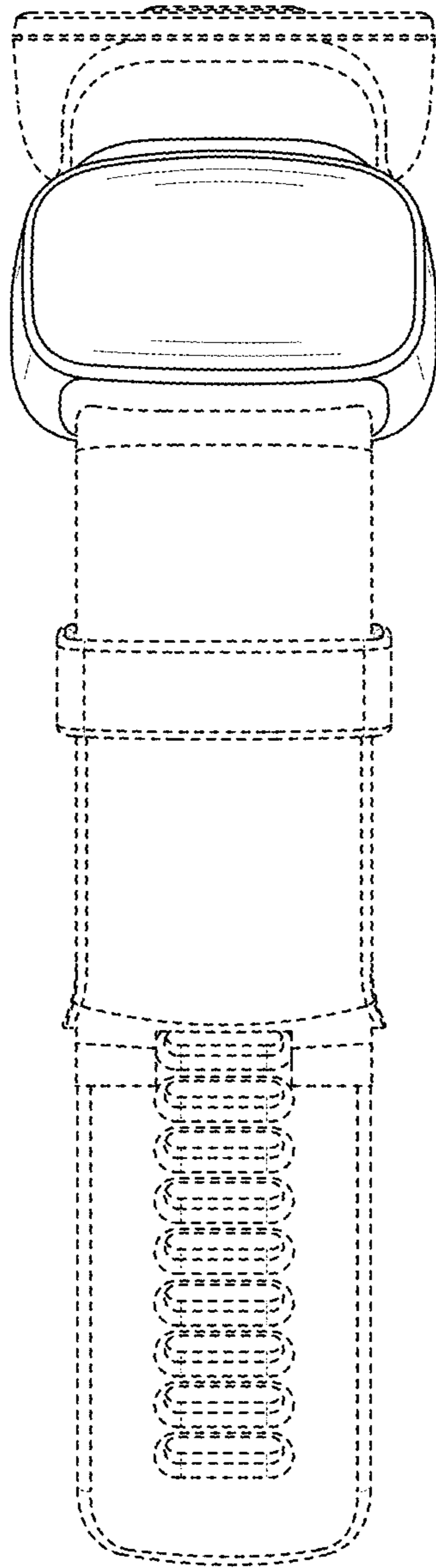


FIG. 2

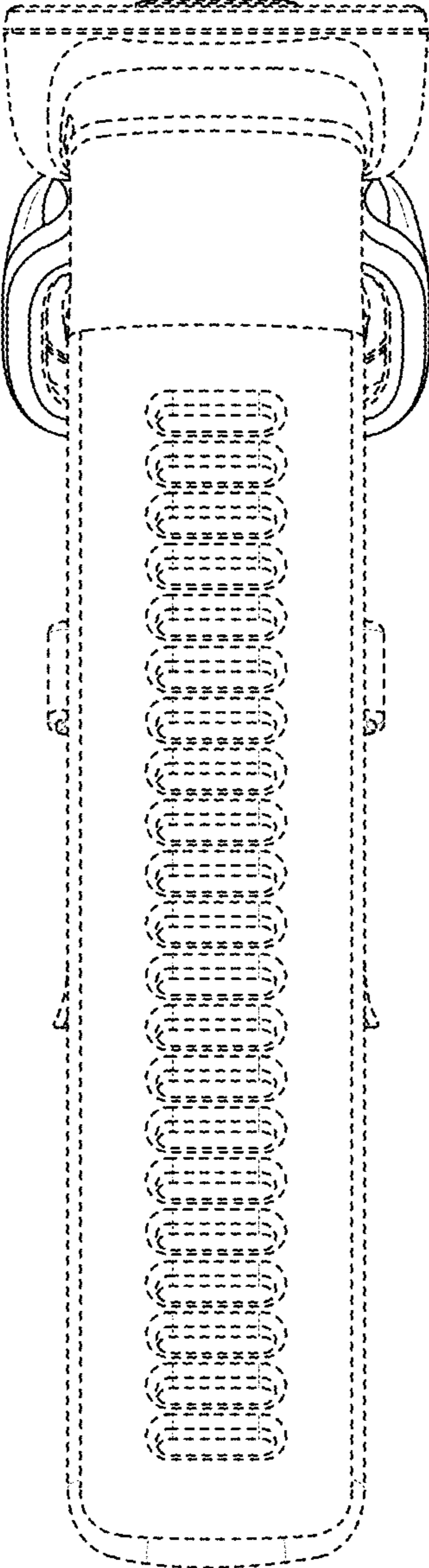


FIG. 3

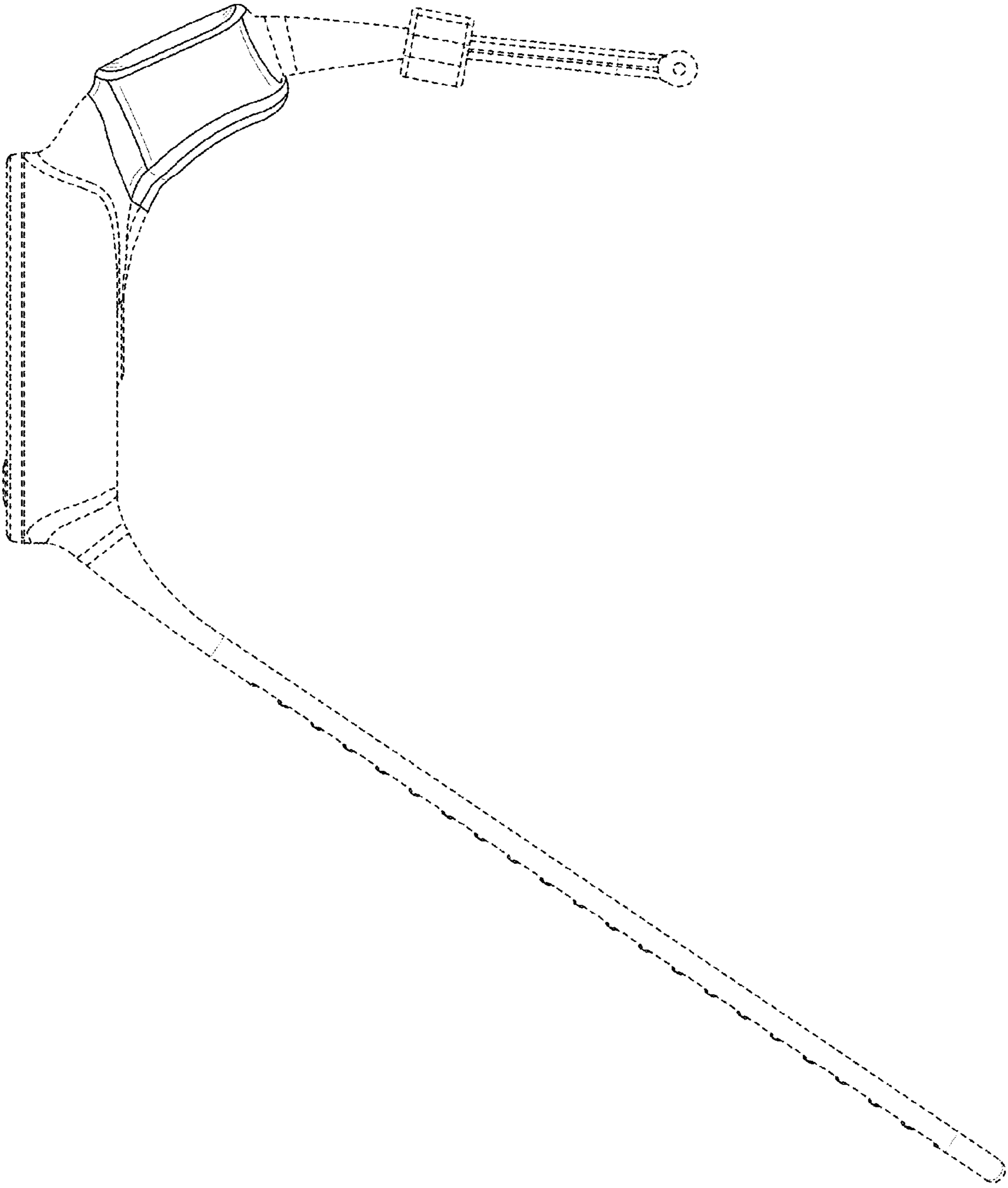


FIG. 4

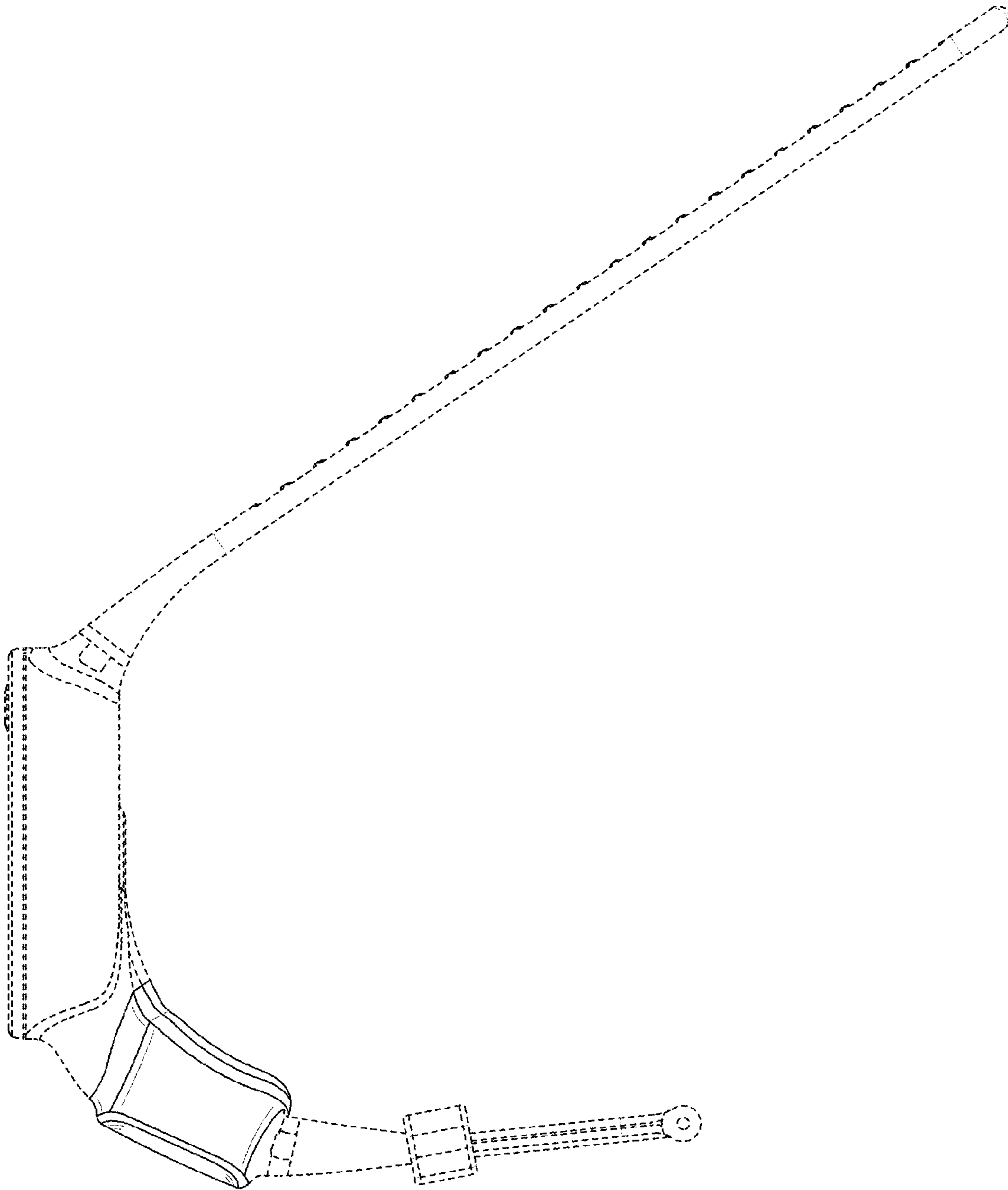


FIG. 5

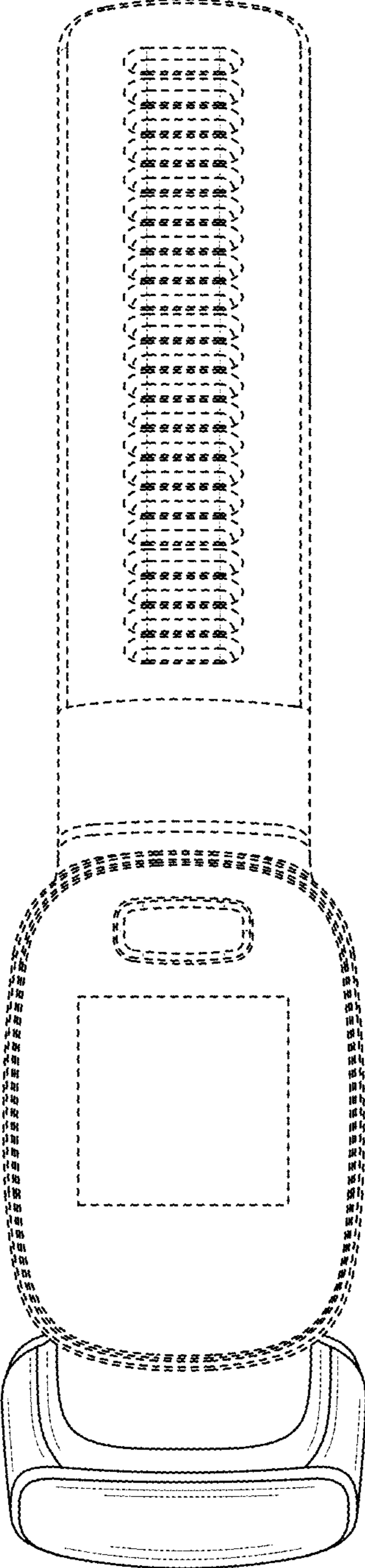


FIG. 6

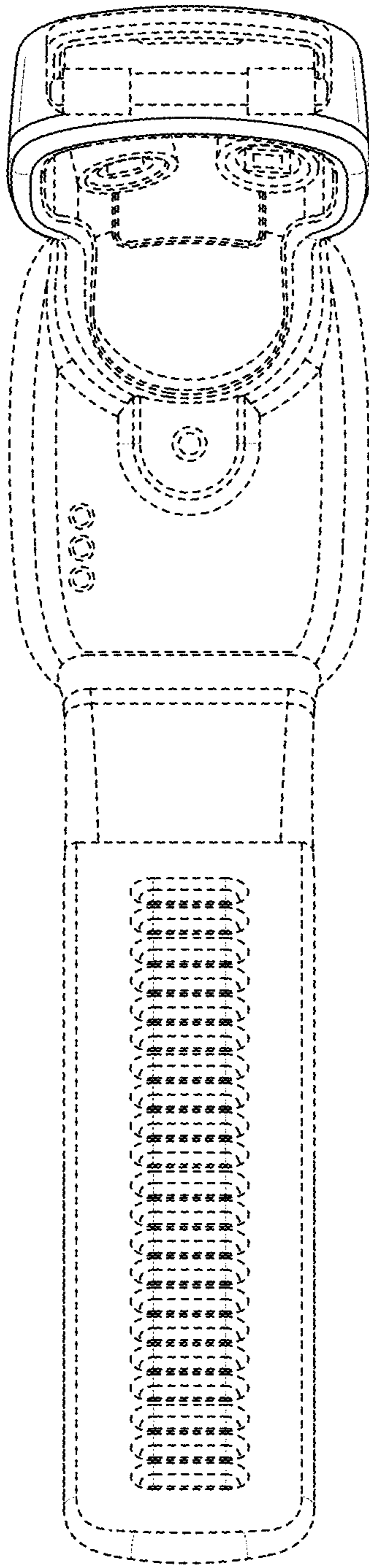


FIG. 7

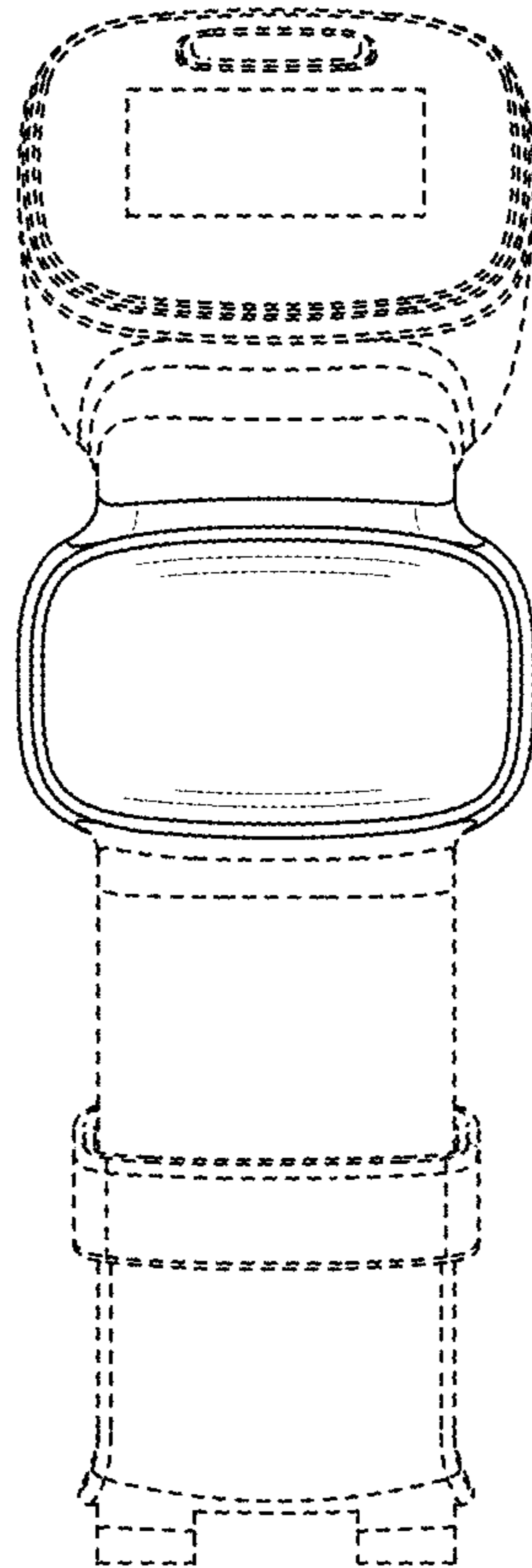


FIG. 8

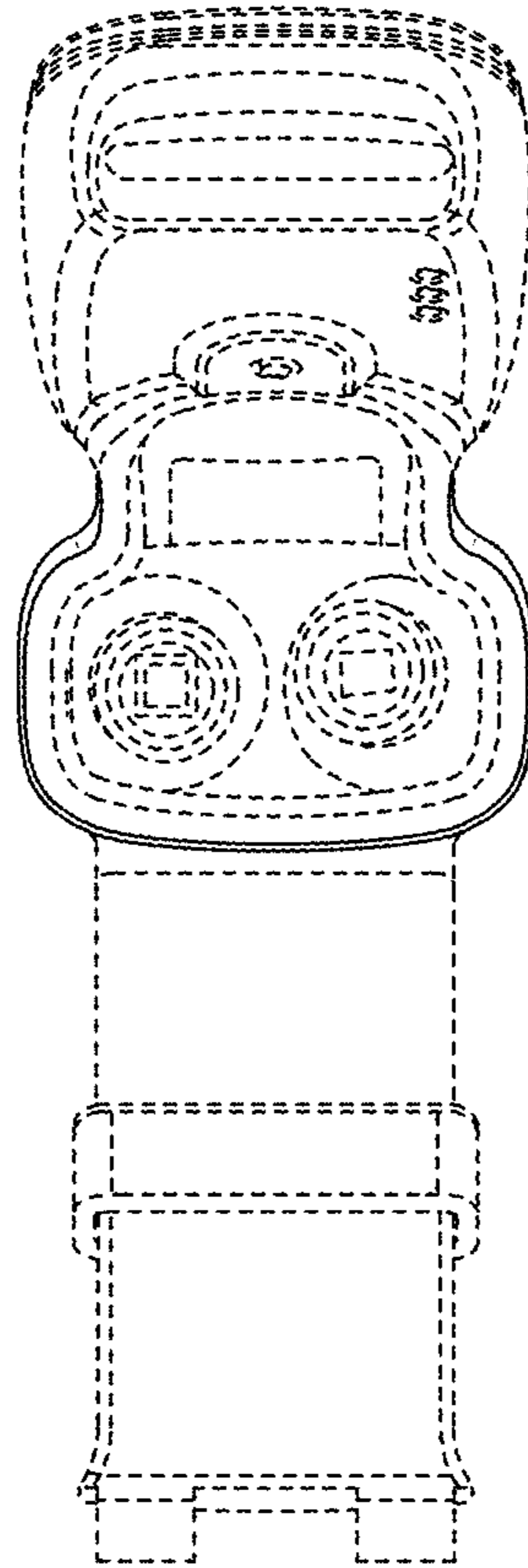


FIG. 9

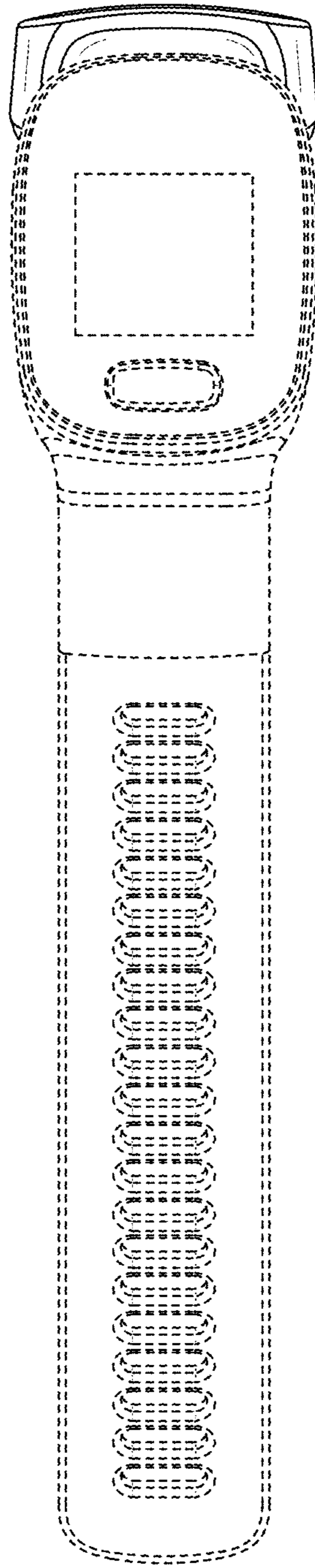


FIG. 10