



US00D912829S

(12) **United States Design Patent**
Hood

(10) **Patent No.:** **US D912,829 S**
(45) **Date of Patent:** **** Mar. 9, 2021**

(54) **PHYSIOTHERAPY SUPPORT DEVICE**

(71) Applicant: **Ucentrik Inc.**, Mississauga (CA)

(72) Inventor: **Greg Hood**, Mississauga (CA)

(73) Assignee: **Ucentrik Inc.**, Mississauga (CA)

(**) Term: **15 Years**

(21) Appl. No.: **29/684,693**

(22) Filed: **Mar. 22, 2019**

(51) **LOC (13) Cl.** **24-02**

(52) **U.S. Cl.**
USPC **D24/183**

(58) **Field of Classification Search**
USPC D24/171, 183, 184, 188, 190, 191, 200,
D24/211, 215, 192; D8/349, 354;
D21/823; D30/153

(Continued)

(56) **References Cited**

U.S. PATENT DOCUMENTS

3,462,195 A * 8/1969 Allen A63G 9/02
297/452.1

D244,748 S * 6/1977 Canterbury D8/380
(Continued)

FOREIGN PATENT DOCUMENTS

EM 008047625-0001 4/2020
EM 008047625-0002 4/2020

OTHER PUBLICATIONS

The Original Leviplate. Online, published date unknown. Retrieved on Dec. 4, 2020 from URL: <https://leviplate.com/products/leviplate>.*

(Continued)

Primary Examiner — Janice Hallmark

Assistant Examiner — Omeed Agilee

(74) *Attorney, Agent, or Firm* — Clark & Elbing LLP

(57) **CLAIM**

The ornamental design for a physiotherapy support device, substantially as shown and described.

DESCRIPTION

FIG. 1 is a front and left side perspective view of the first embodiment of a physiotherapy support device showing my new design.

FIG. 2 is a right side view of the physiotherapy support device of FIG. 1.

FIG. 3 is a left side view of the physiotherapy support device of FIG. 1.

FIG. 4 is a front view of the physiotherapy support device of FIG. 1.

FIG. 5 is a rear view of the physiotherapy support device of FIG. 1.

FIG. 6 is a top view of the physiotherapy support device of FIG. 1.

FIG. 7 is a bottom view of the physiotherapy support device of FIG. 1.

FIG. 8 is a front and left side perspective view of the second embodiment of a physiotherapy support device showing my new design.

FIG. 9 is a left side view of the physiotherapy support device of FIG. 8.

FIG. 10 is a right side view of the physiotherapy support device of FIG. 8.

FIG. 11 is a front view of the physiotherapy support device of FIG. 8.

FIG. 12 is a rear view of the physiotherapy support device of FIG. 8.

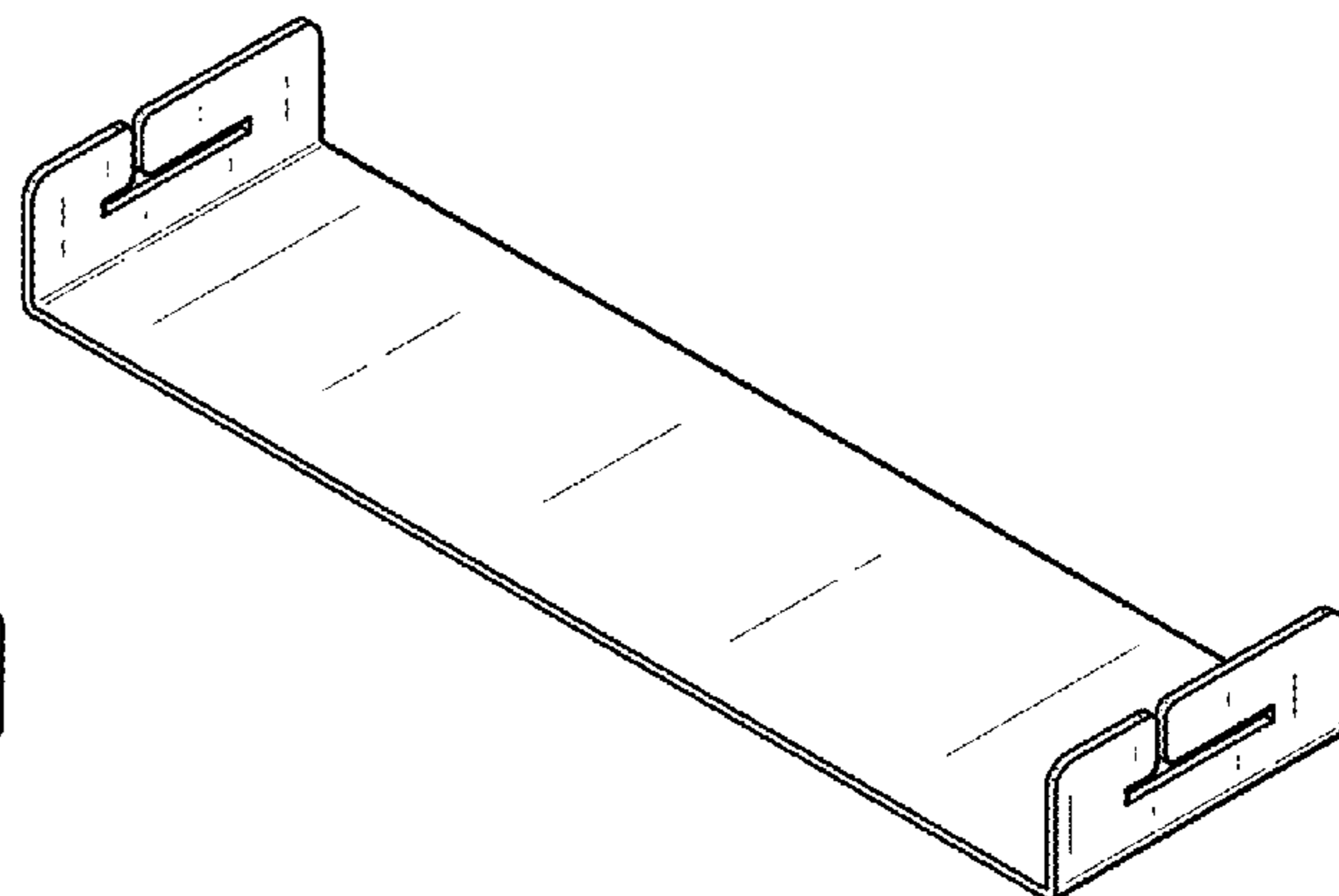
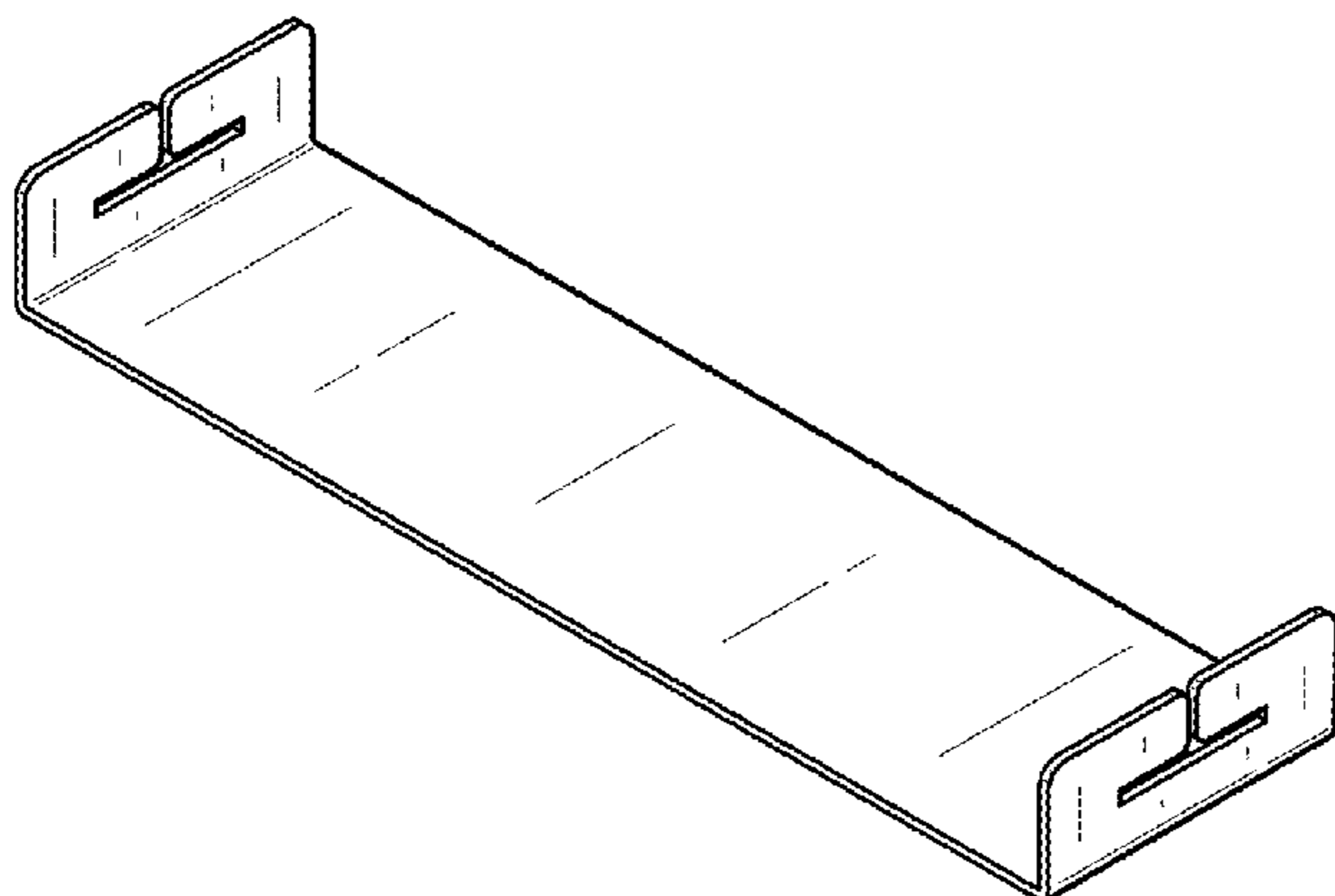
FIG. 13 is a top view of the physiotherapy support device of FIG. 8.

FIG. 14 is a bottom view of the physiotherapy support device of FIG. 8; and,

FIG. 15 is a front and right side perspective view of a physiotherapy support device embodying the claimed design.

The broken lines in the drawings depict environmental subject matter and form no part of the claimed design.

1 Claim, 9 Drawing Sheets



(58) **Field of Classification Search**
CPC A61F 7/02; A61F 5/3769
See application file for complete search history.

(56) **References Cited**

U.S. PATENT DOCUMENTS

D259,582 S * 6/1981 Aquarian D21/823
D302,304 S * 7/1989 Kulle D24/129
D347,533 S * 6/1994 Lambert D24/190
D410,722 S * 6/1999 Davignon, II D21/823
D485,361 S * 1/2004 Urban D24/190
D494,045 S * 8/2004 Van Essen D8/366
D513,438 S * 1/2006 McNeice D24/188
D520,591 S * 5/2006 Popp D21/823
D536,412 S * 2/2007 Nye D21/823
D596,311 S * 7/2009 Antons D24/227
D610,693 S * 2/2010 Thomas D24/206
D654,350 S * 2/2012 Preda D8/354

D721,816 S * 1/2015 Kelley D24/192
D732,373 S * 6/2015 Wagner D8/349
D751,721 S * 3/2016 Kelley D24/192
D845,492 S * 4/2019 Sudell D24/190
D863,486 S * 10/2019 Blackwood D21/823
D863,563 S * 10/2019 Herder D24/189
D870,898 S * 12/2019 Sudell D24/190
D877,346 S * 3/2020 Whitely D24/189
D883,073 S * 5/2020 Jaramillo D8/354
D885,585 S * 5/2020 Lombardo D24/188
D885,868 S * 6/2020 Hilmerson D8/354
D891,229 S * 7/2020 Hohmann, Jr. D8/354

OTHER PUBLICATIONS

U.S. Appl. No. 29/721,967, Ucentrik Inc.
The Walker Sling Foot Rest (pp). <goldenyearsaccessories.com/>,
Retrieved Sep. 21, 2020 (6 pages).

* cited by examiner

FIG. 1

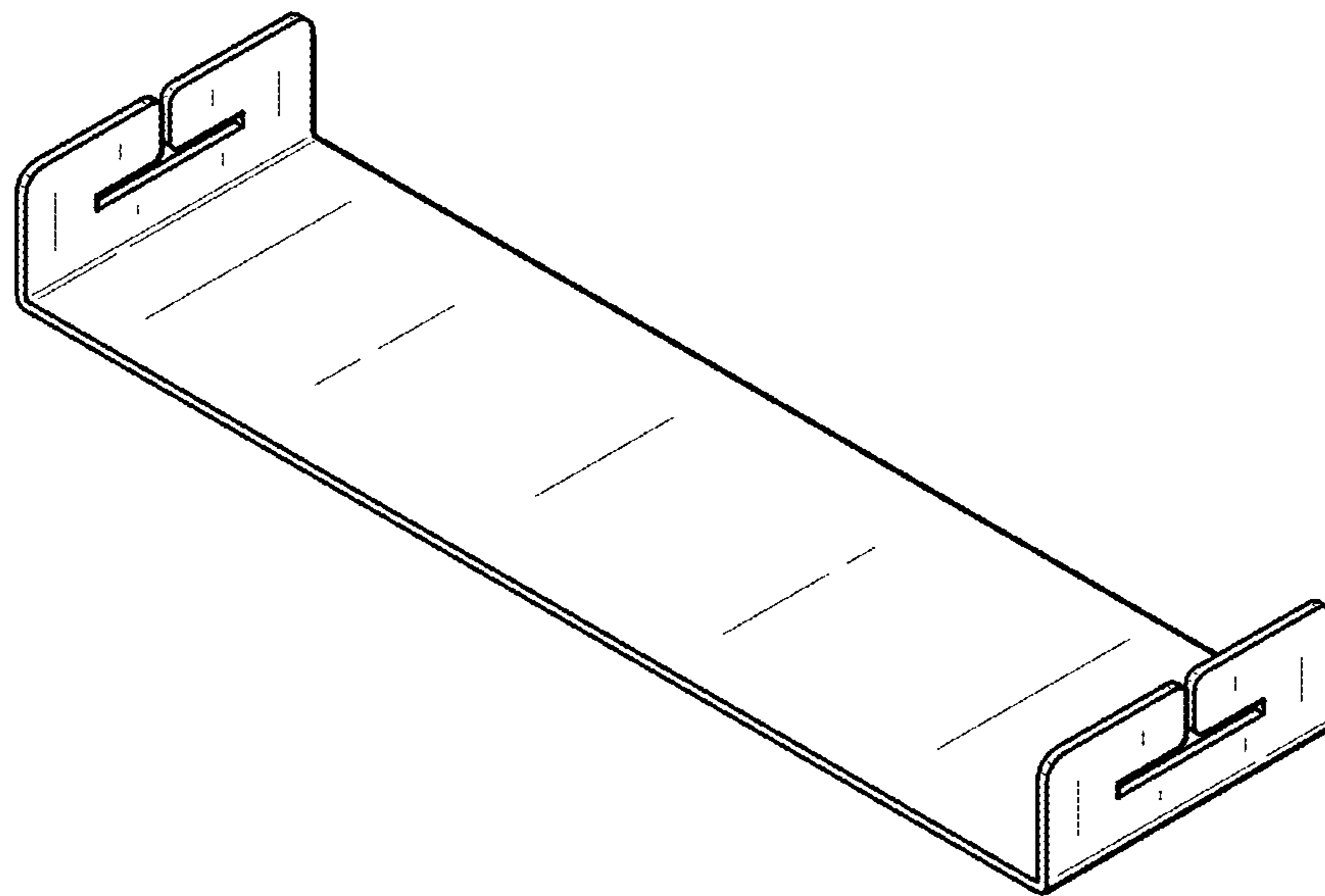


FIG. 2

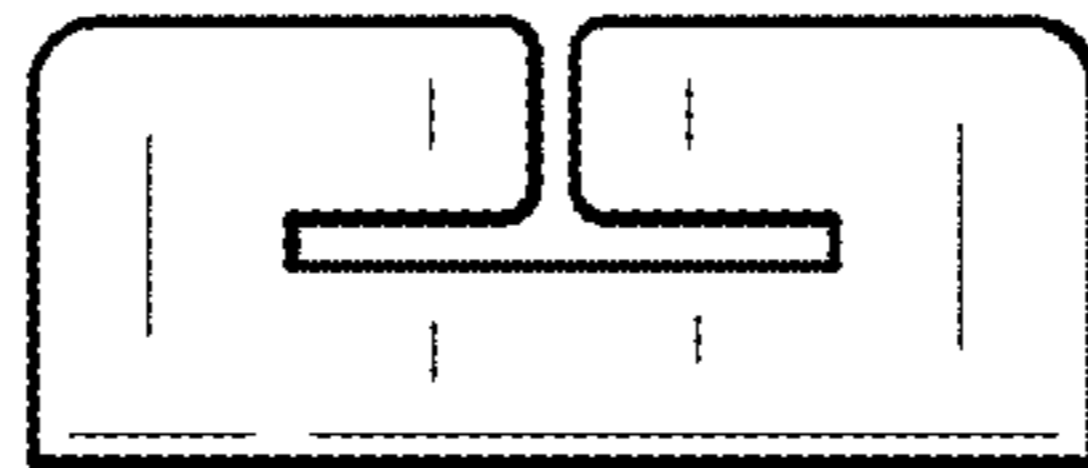


FIG. 3

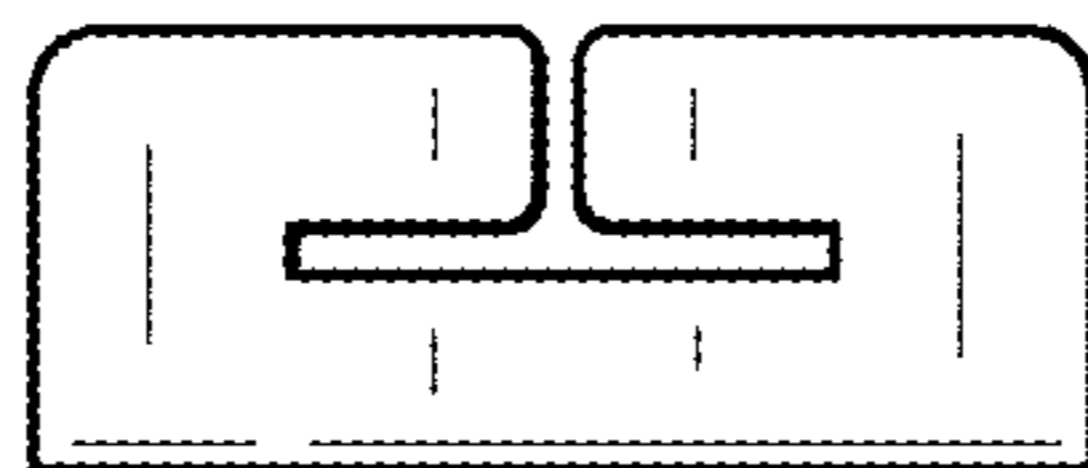


FIG. 4



FIG. 5



FIG. 6

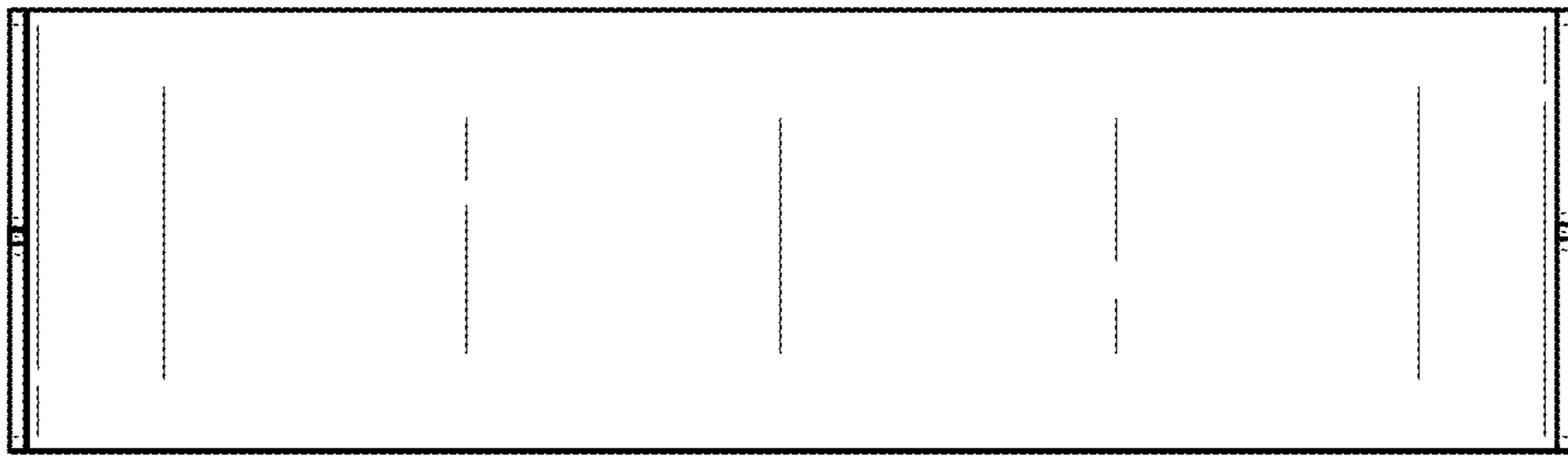


FIG. 7

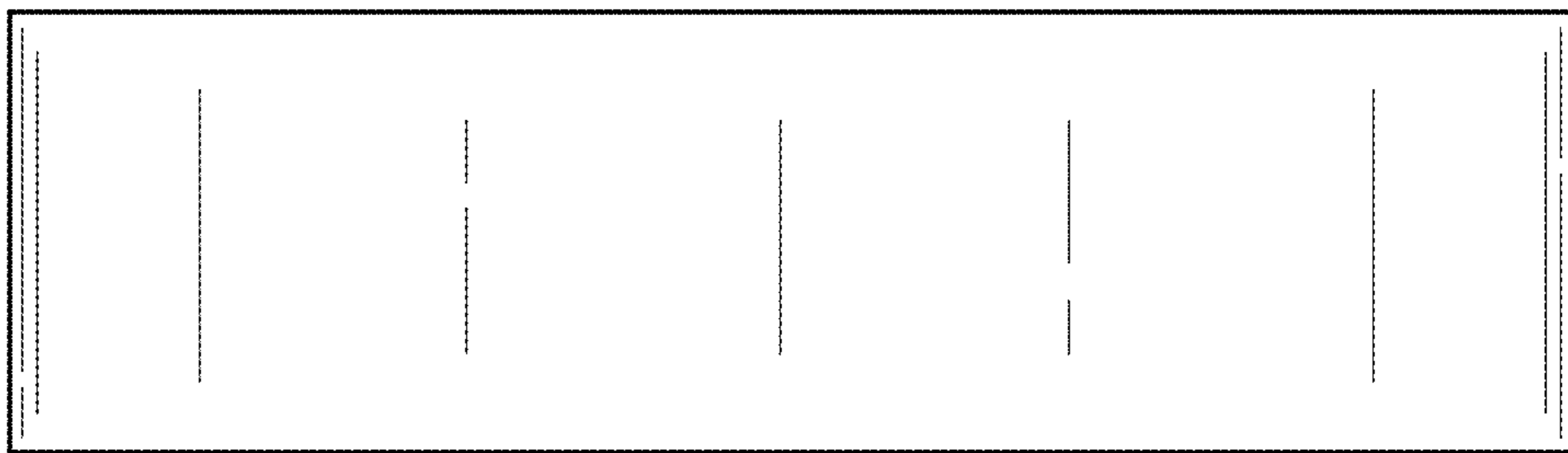


FIG. 8

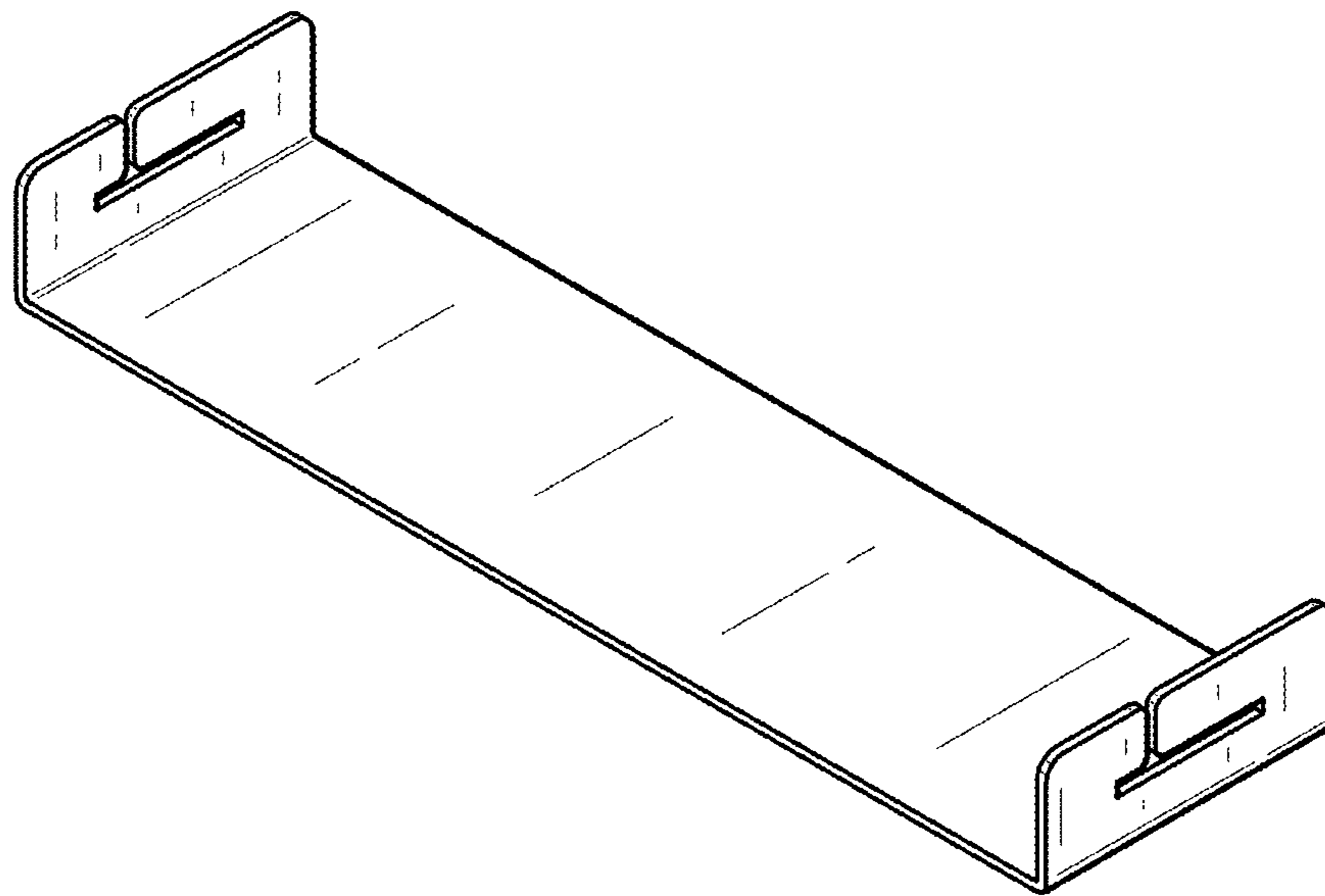


FIG. 9

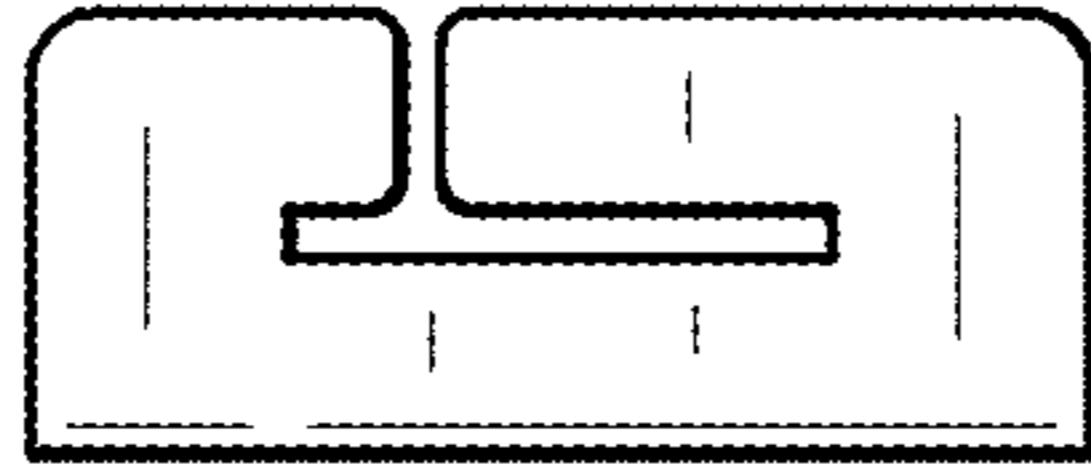


FIG. 10

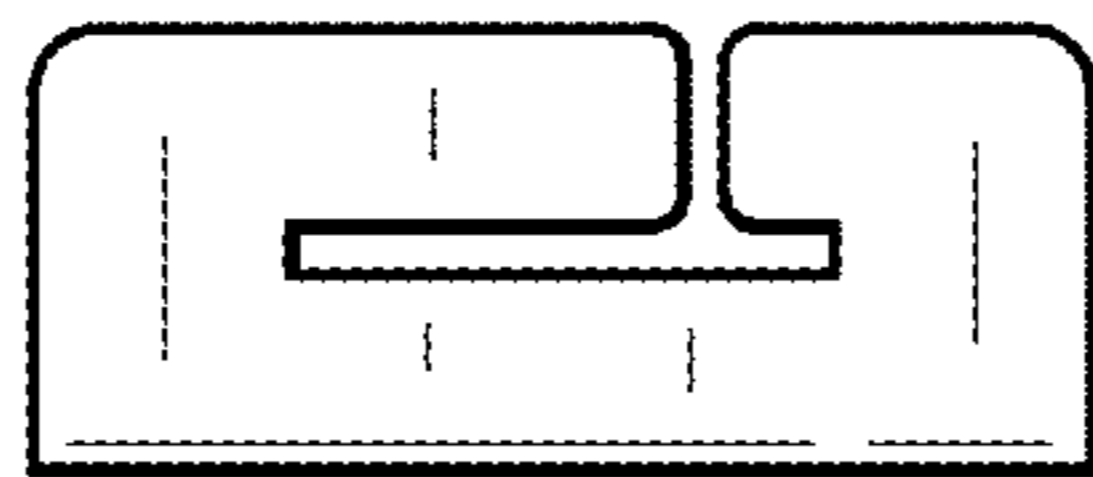


FIG. 11



FIG. 12

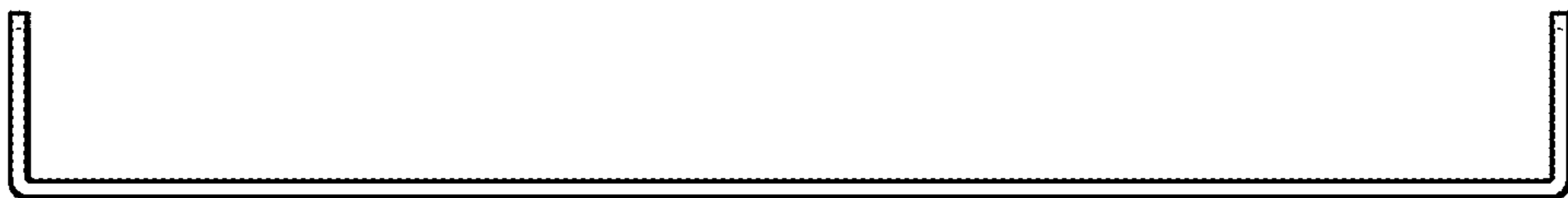


FIG. 13

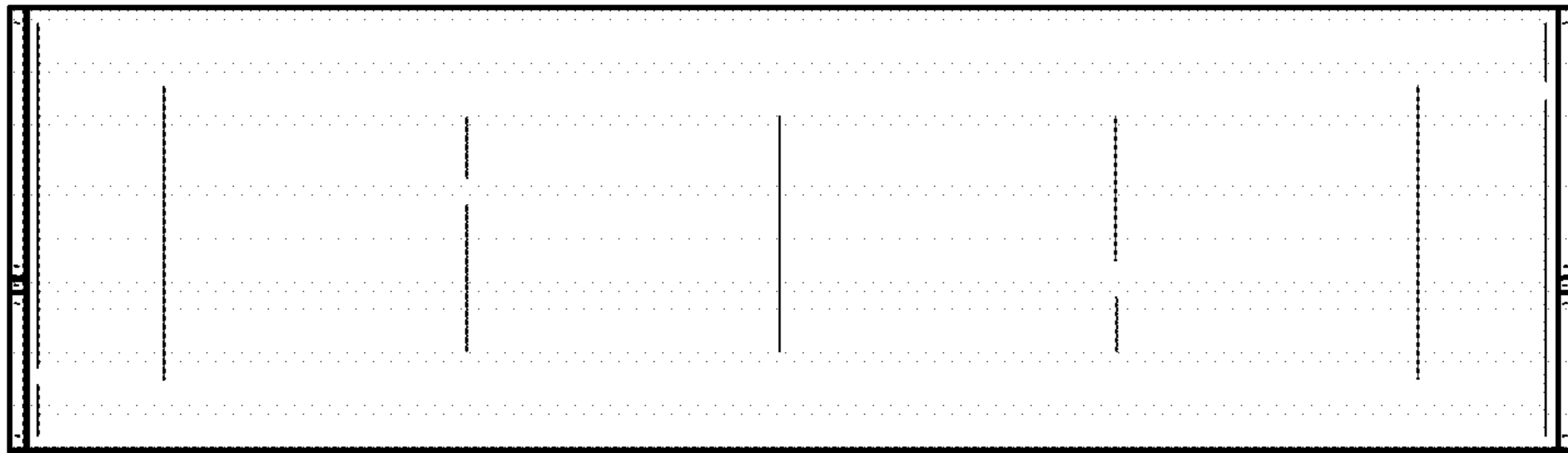


FIG. 14

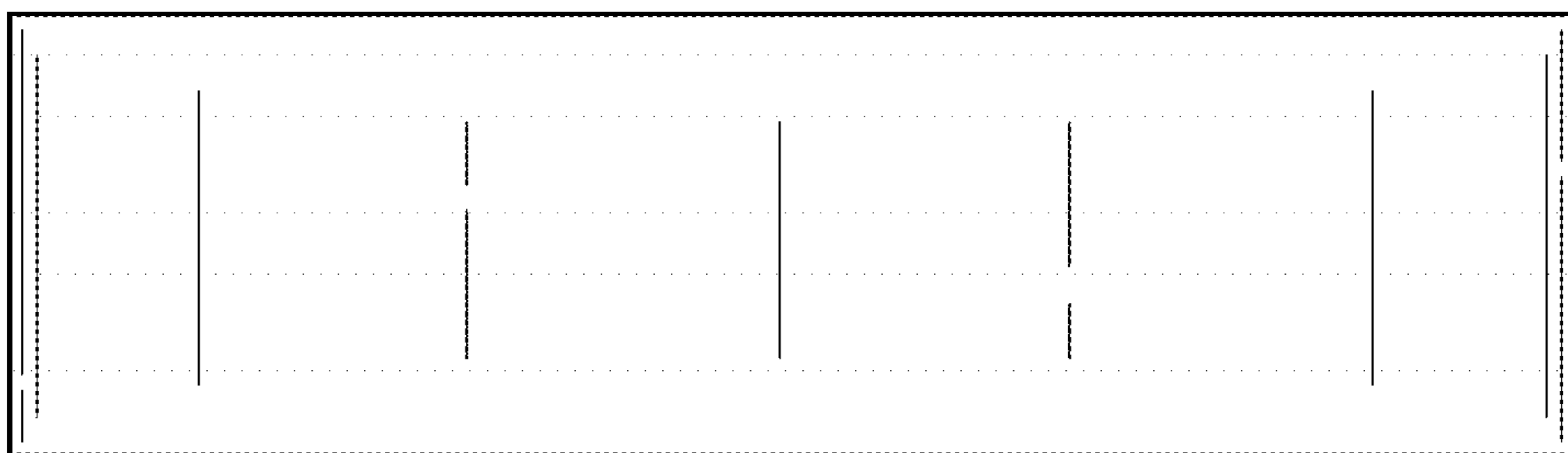


FIG. 15

