



US00D912827S

(12) **United States Design Patent**
Haiola et al.

(10) **Patent No.:** **US D912,827 S**
(45) **Date of Patent:** **** Mar. 9, 2021**

- (54) **LIPGUARD SHIELD**
- (71) Applicant: **KATOA CORP.**, Fullerton, CA (US)
- (72) Inventors: **Sione Haiola**, Yorba Linda, CA (US);
Shazia Peshimam, Yorba Linda, CA (US)
- (73) Assignee: **Katoa Corp.**, Fullerton, CA (US)
- (**) Term: **15 Years**
- (21) Appl. No.: **29/733,091**
- (22) Filed: **Apr. 29, 2020**

D663,486 S 7/2012 Turkbaz
 8,800,184 B1 8/2014 Lerman et al.
 8,931,488 B2* 1/2015 Evans A63B 71/085
 128/861

(Continued)

FOREIGN PATENT DOCUMENTS

EP 1525857 A1 4/2005

OTHER PUBLICATIONS

Nike, Nike Hyperflow Flavored Lip Protector, accessed Mar. 21, 2017, 4 pages, <https://web.archive.org/web/20170321094413/https://www.dickssportinggoods.com/p/nike-hyperflow-black-raspberry-flavored-lip-protector-16nlkunkhyprflwlpma/16nlkunkhyprflwlpma>.

(Continued)

Primary Examiner — Wan Laymon
 (74) *Attorney, Agent, or Firm* — Knobbe, Martens, Olson & Bear, LLP

Related U.S. Application Data

- (62) Division of application No. 29/645,699, filed on Apr. 27, 2018, now Pat. No. Des. 885,583.
- (51) **LOC (13) Cl.** **24-02**
- (52) **U.S. Cl.**
USPC **D24/181**; D29/108
- (58) **Field of Classification Search**
USPC D24/176, 180–181, 110.5; D29/108;
128/859–861, 846, 848; 433/37, 41–45,
433/47–48; 602/902
CPC ... A63B 71/085; A63B 2017/086; A61F 5/56;
A61F 5/566; A61C 7/08; A61C 7/36
See application file for complete search history.

(57) **CLAIM**

The ornamental design for a lipguard shield, as shown and described.

DESCRIPTION

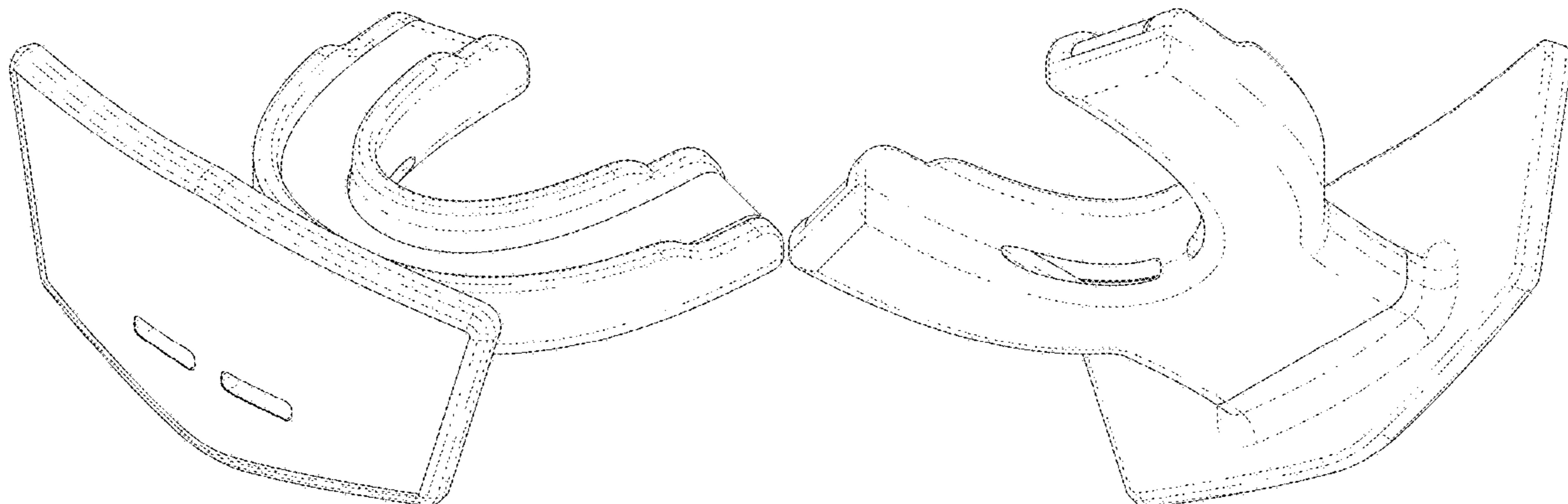
FIG. 1 is a top-front perspective view of a lipguard shield showing our design.
 FIG. 2 is a bottom-rear perspective view of a lipguard shield showing our design.
 FIG. 3 is a front view thereof.
 FIG. 4 is a rear view thereof.
 FIG. 5 is a right side view thereof.
 FIG. 6 is a left side view thereof.
 FIG. 7 is a top plan view thereof.
 FIG. 8 is a bottom plan view thereof.
 FIG. 9 is a top-front perspective view thereof in a detached configuration; and,
 FIG. 10 is a bottom-rear perspective view thereof in a detached configuration.

(56) **References Cited**

U.S. PATENT DOCUMENTS

- 3,692,025 A 9/1972 Greenberg
- 5,720,302 A * 2/1998 Belfer A61F 5/566
128/848
- 6,068,475 A 5/2000 Stoyka
- 6,269,816 B1 8/2001 Rigonatti
- 6,494,210 B1 12/2002 Mams
- 6,675,802 B1 * 1/2004 Thornton A61F 5/566
128/206.29
- 8,074,658 B2 12/2011 Kittelsen
- D663,485 S 7/2012 Turkbaz

1 Claim, 10 Drawing Sheets



(56)

References Cited

U.S. PATENT DOCUMENTS

D734,556	S	7/2015	Brett	
9,375,289	B1	6/2016	Walls	
D760,889	S	7/2016	Evans et al.	
9,526,669	B1	12/2016	McCall	
D790,712	S	6/2017	Walls	
9,687,722	B2	6/2017	Kennedy	
9,770,643	B2	9/2017	Hawkins	
D841,257	S	2/2019	Turkbas	
D857,301	S	8/2019	Turkbas	
D876,728	S *	2/2020	Evans	D24/181
2013/0081640	A1	4/2013	Herman et al.	
2013/0087157	A1	4/2013	Hawkins	
2013/0104913	A1	5/2013	Evans	
2014/0261465	A1	9/2014	Turkbas	
2014/0345626	A1	11/2014	Brett	
2015/0051646	A1	2/2015	Chan et al.	
2017/0296901	A1	10/2017	Evans	
2018/0280785	A1	10/2018	Circa	
2019/0336843	A1 *	11/2019	Haiola	A63B 71/085
2020/0047056	A1 *	2/2020	Wilson	A63B 71/085

OTHER PUBLICATIONS

SafeTGard , Fuelgard™ Mouthguard Kit With Electrolyte Tablets, accessed Apr. 27, 2018, 2 pages, <https://safetgard.myshopify.com/products/fuelgard-mouthguard-with-electrolytes>.

Shock Doctor, Shock Doctor Interchange Lip Guard Shield, Available Apr. 26, 2018, 1 page, <https://www.shockdoctor.com/collections/mouthguards/sports>.

“Fluoride treatments in the dental office,” JADA, vol. 138, Mar. 2007.

* cited by examiner

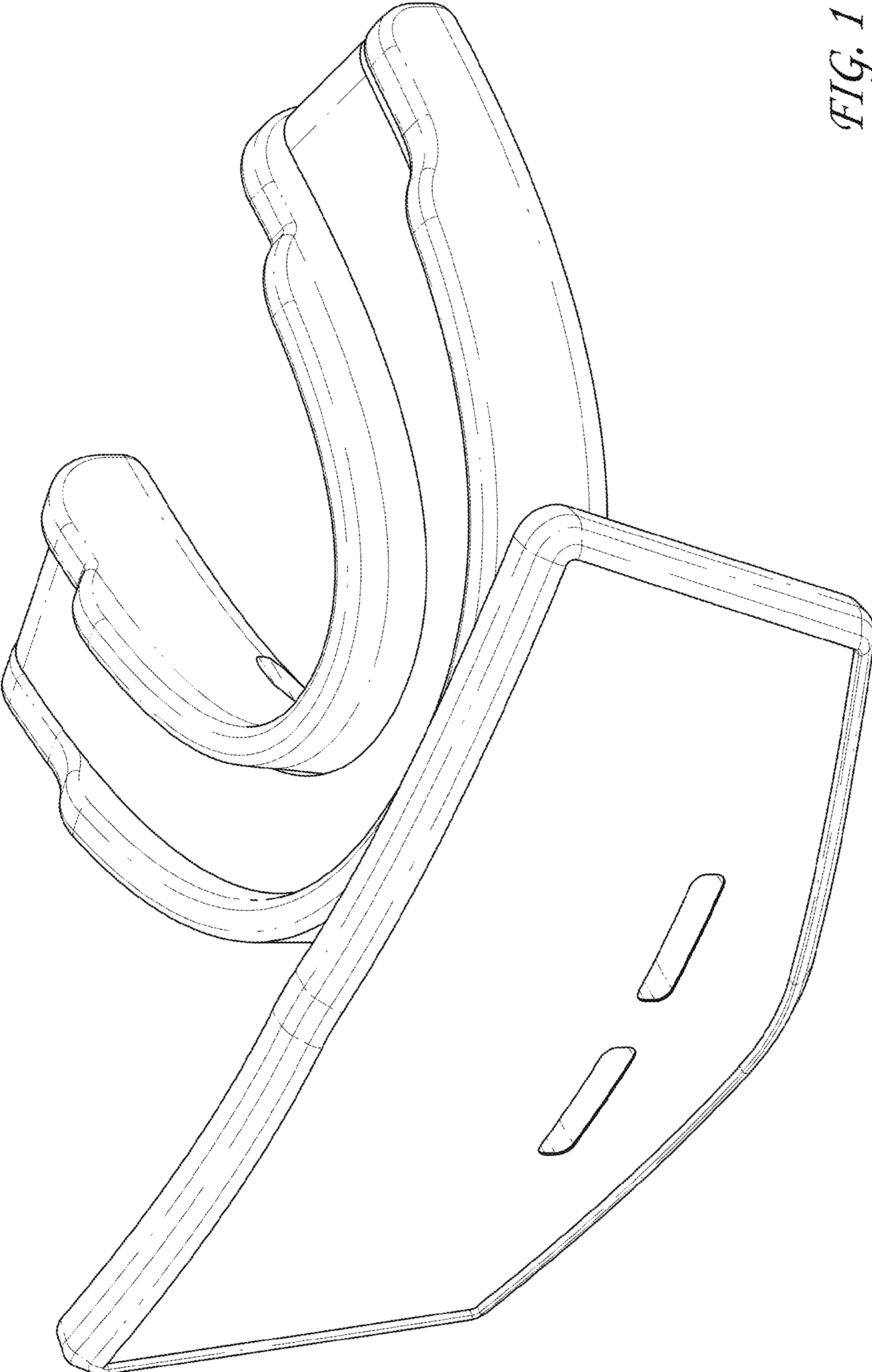


FIG. 1

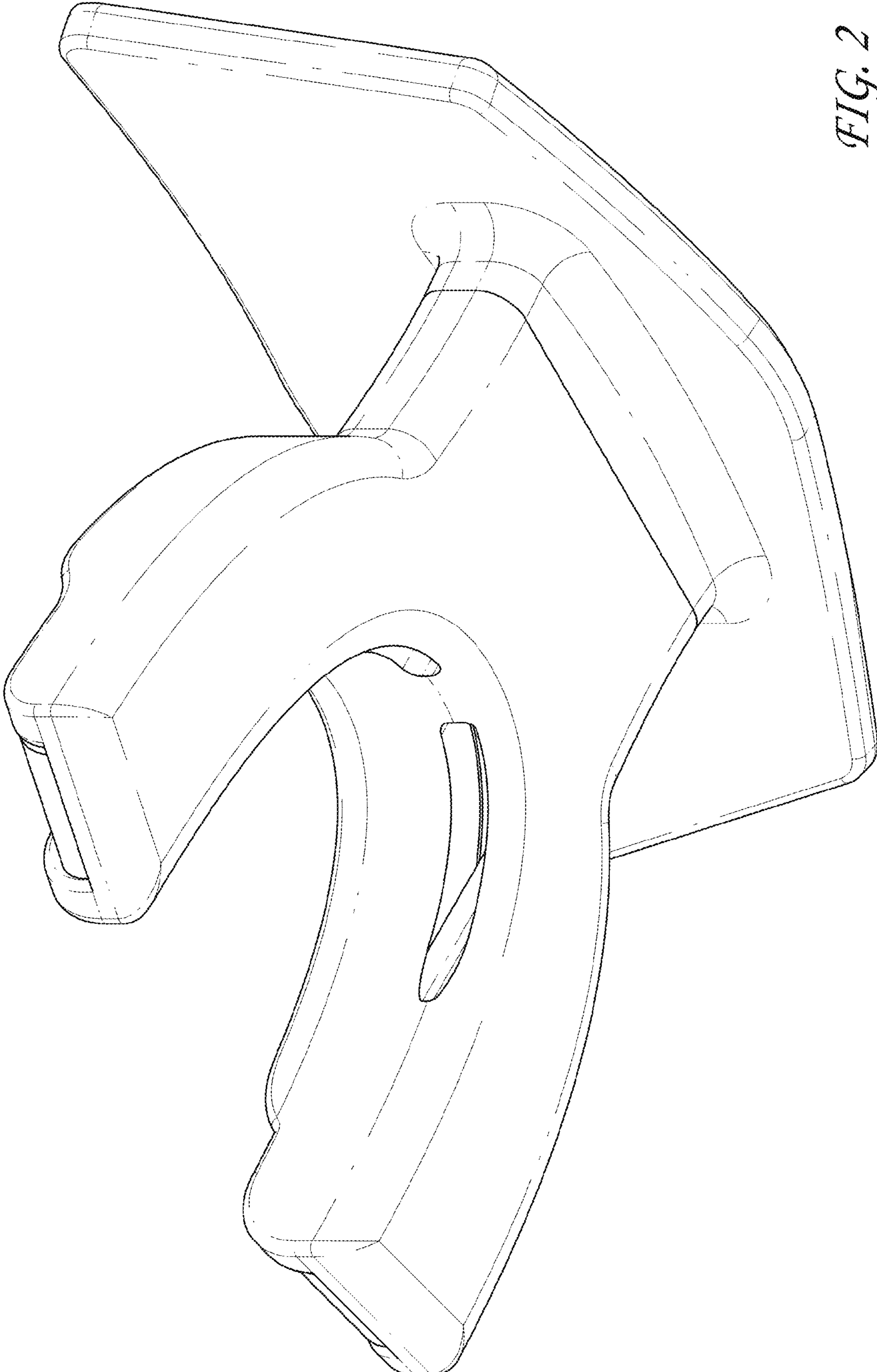


FIG. 2

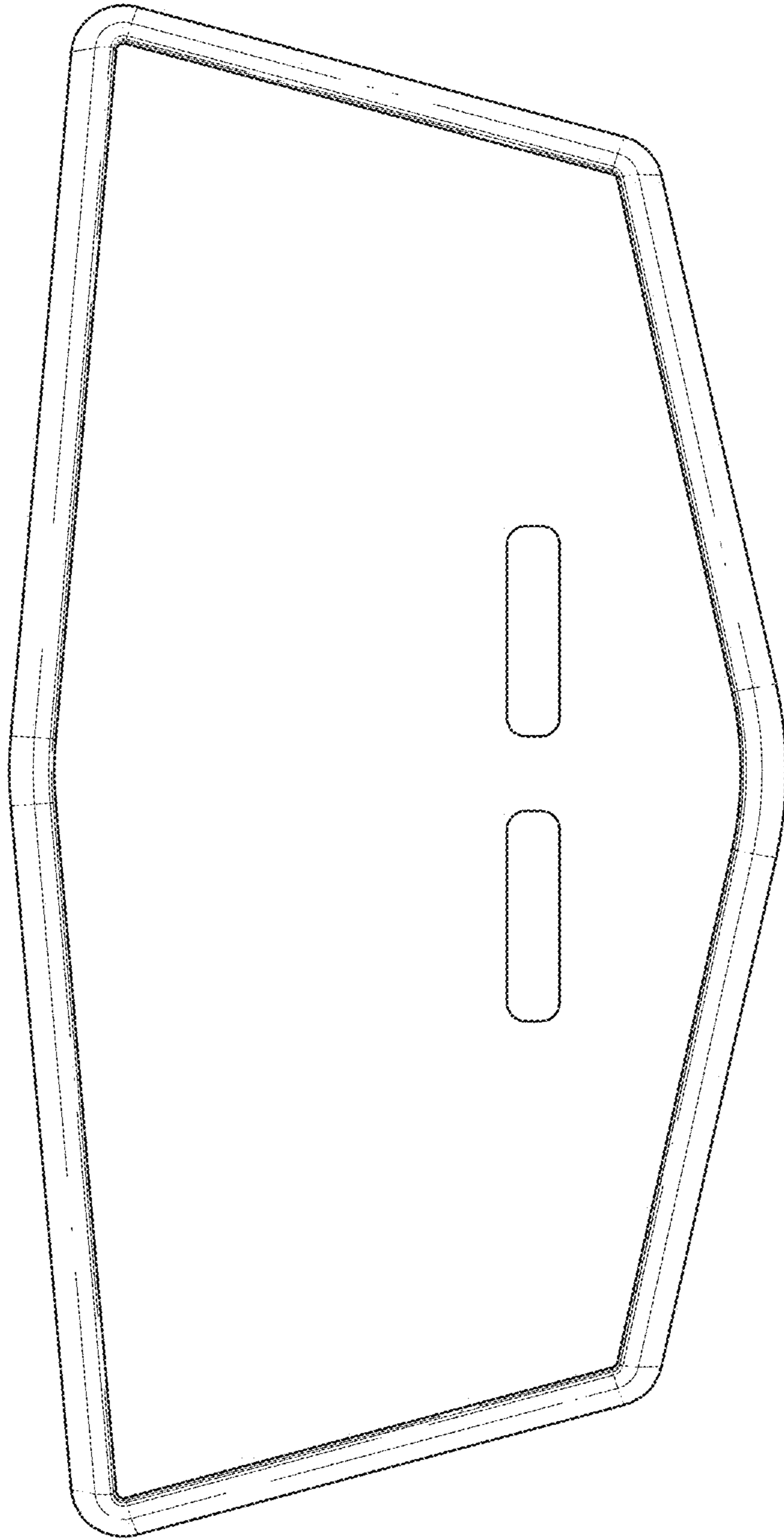


FIG. 3

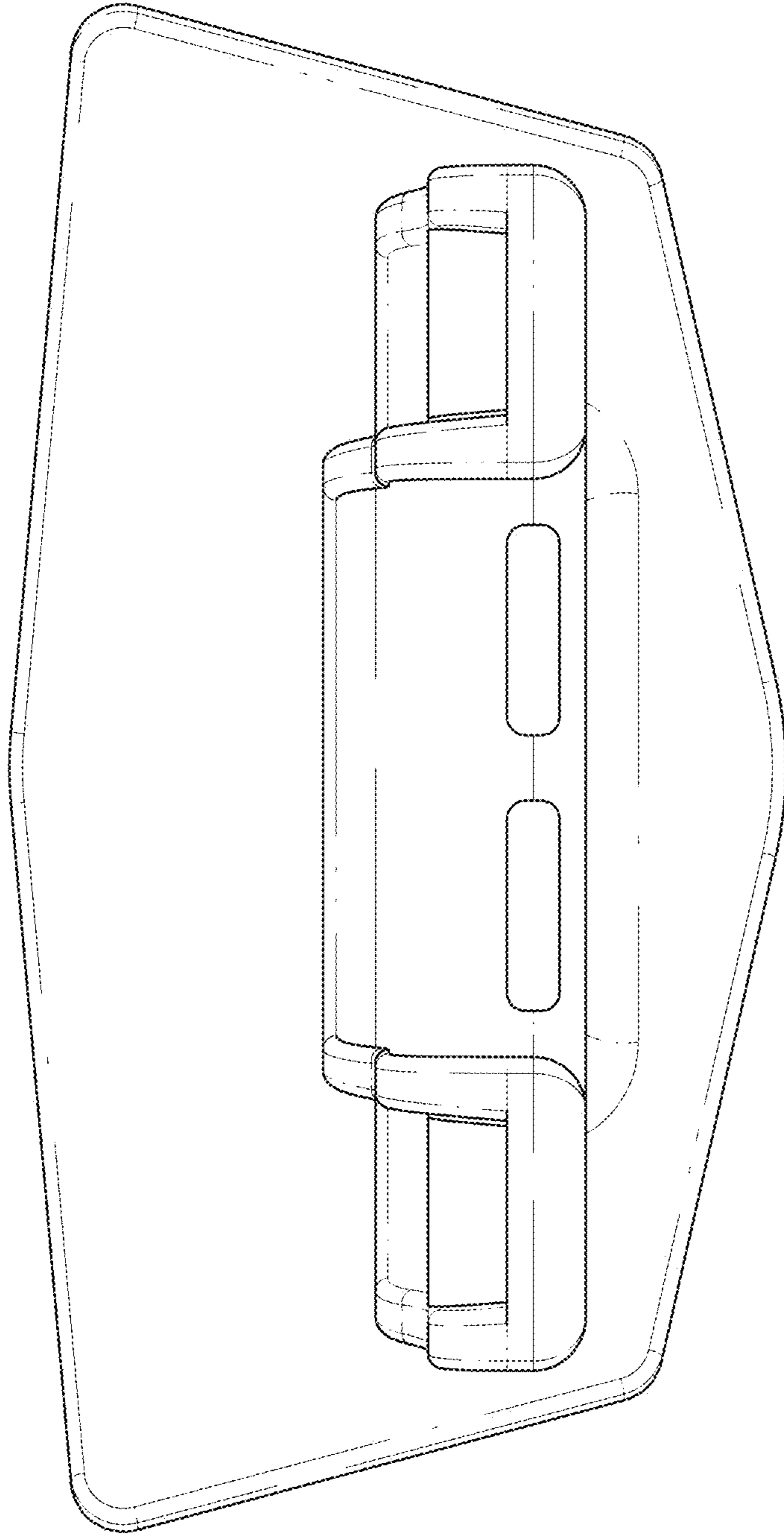


FIG. 4

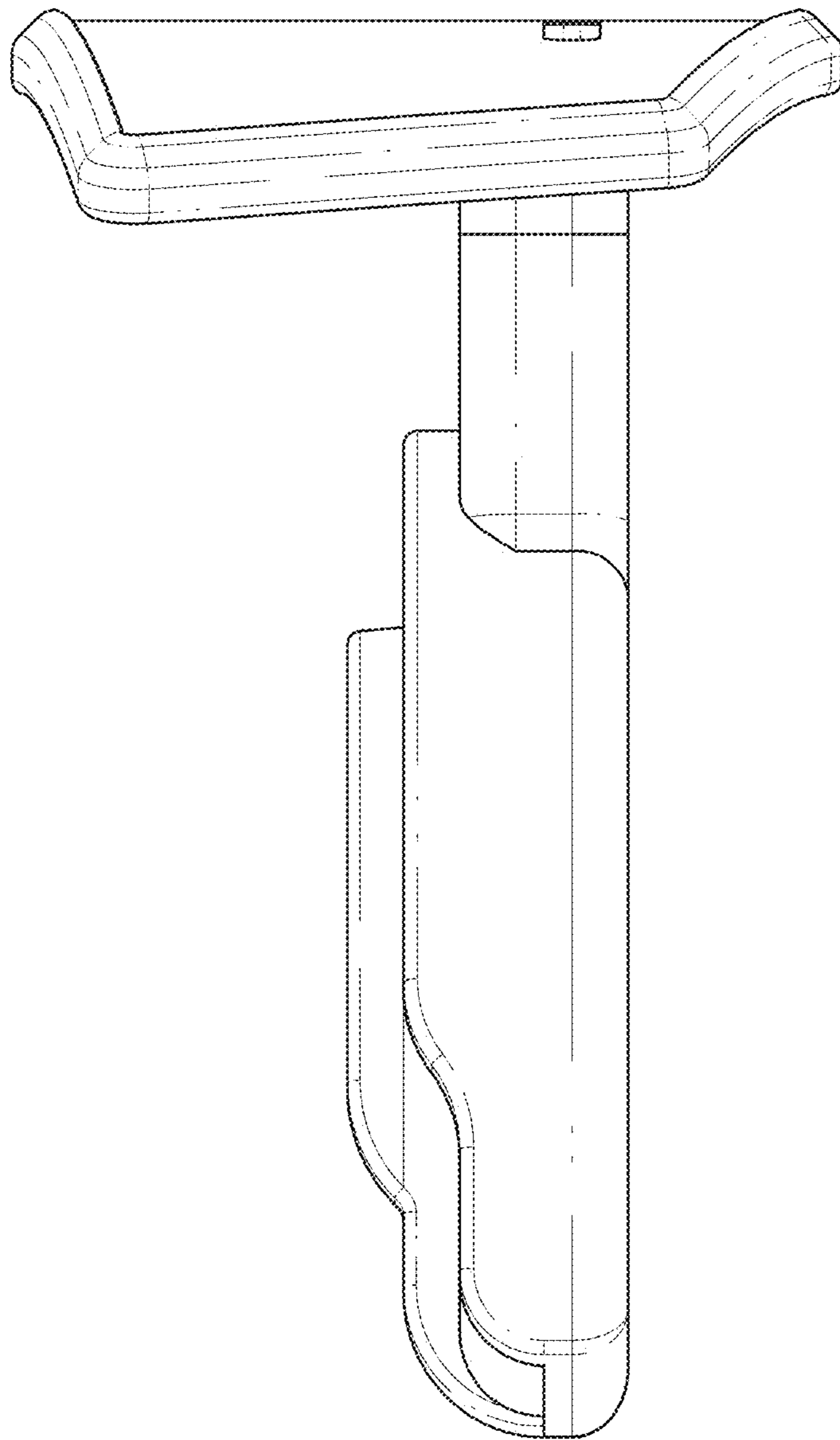
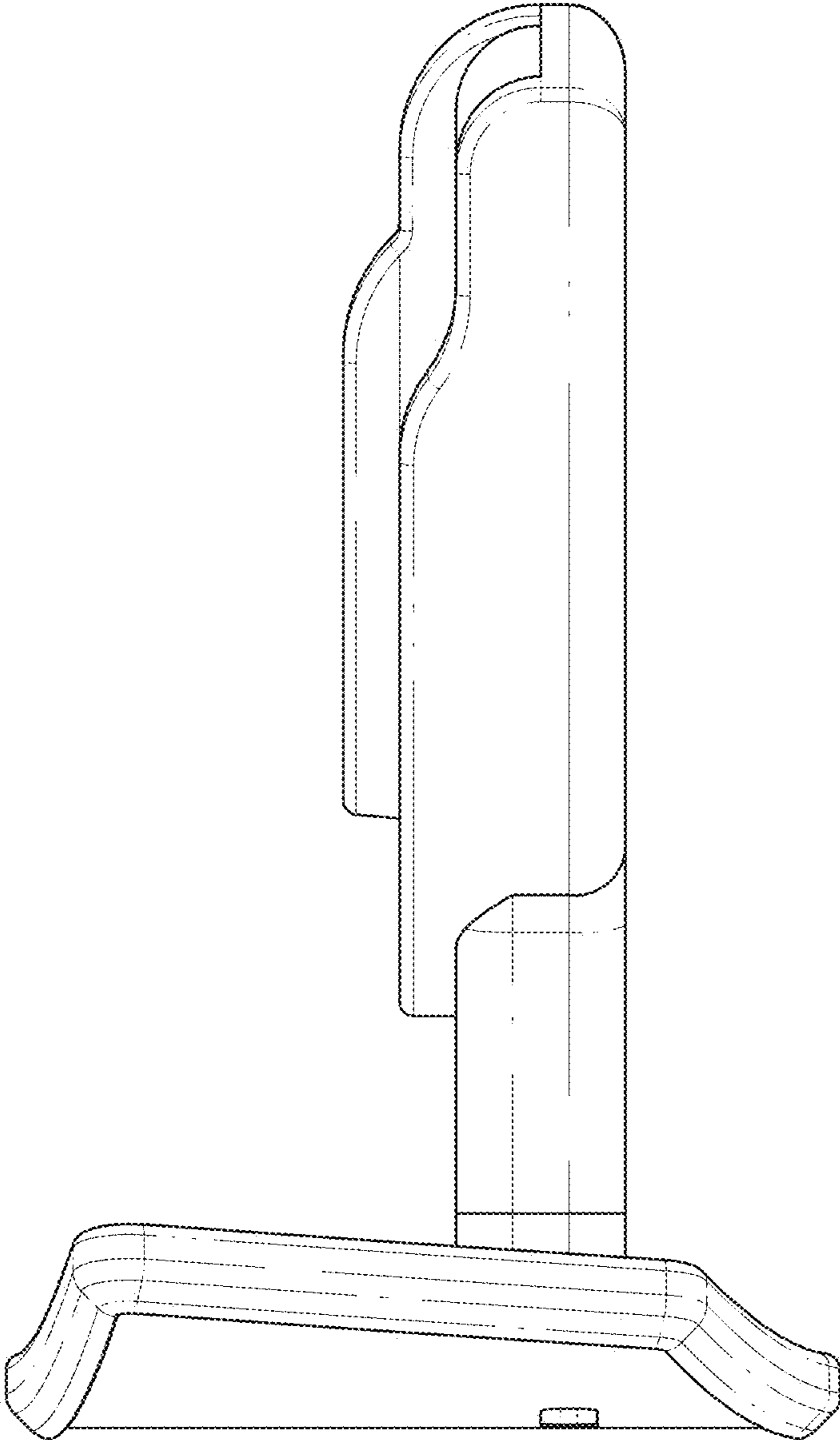


FIG. 5

FIG. 6



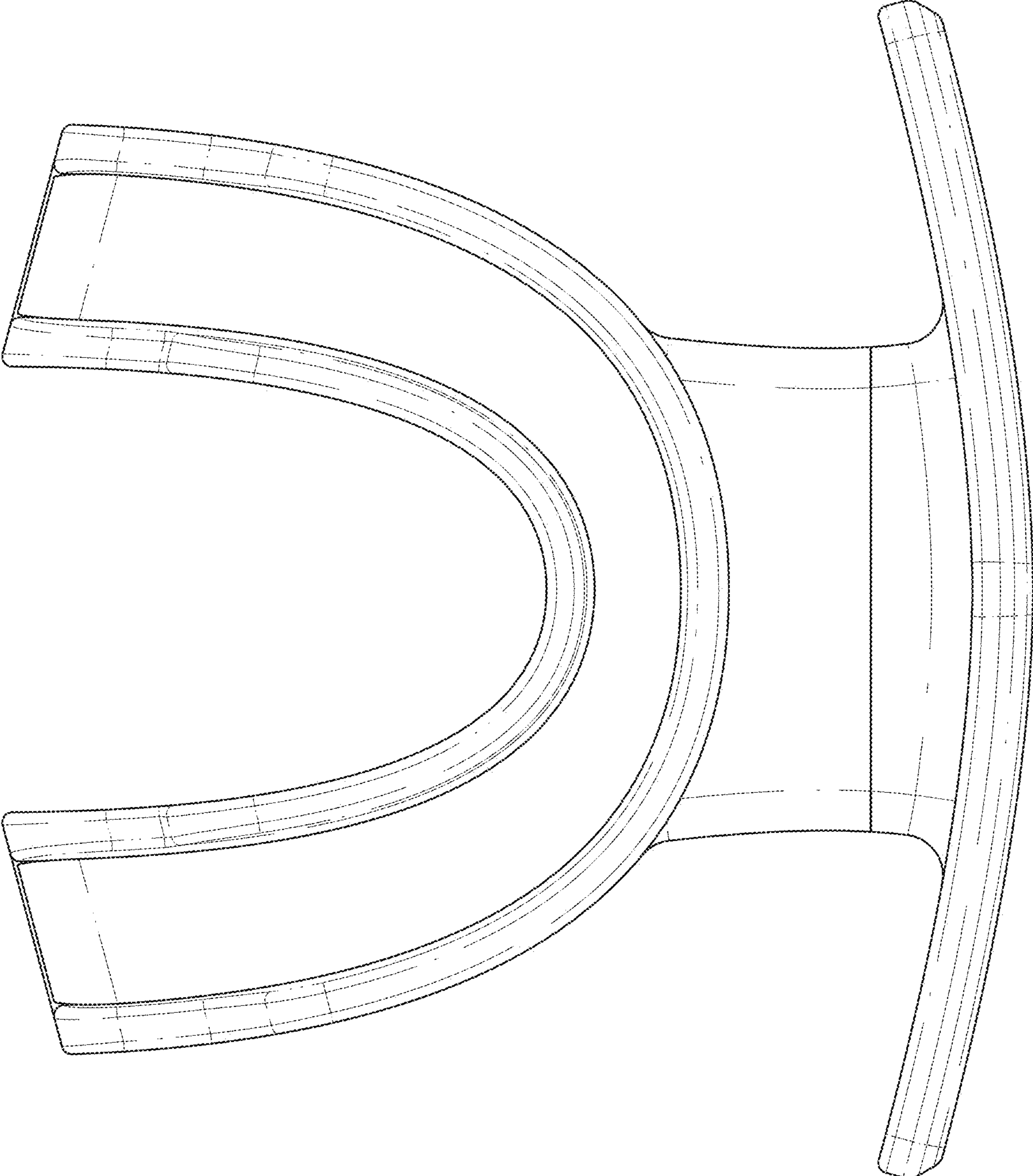


FIG. 7

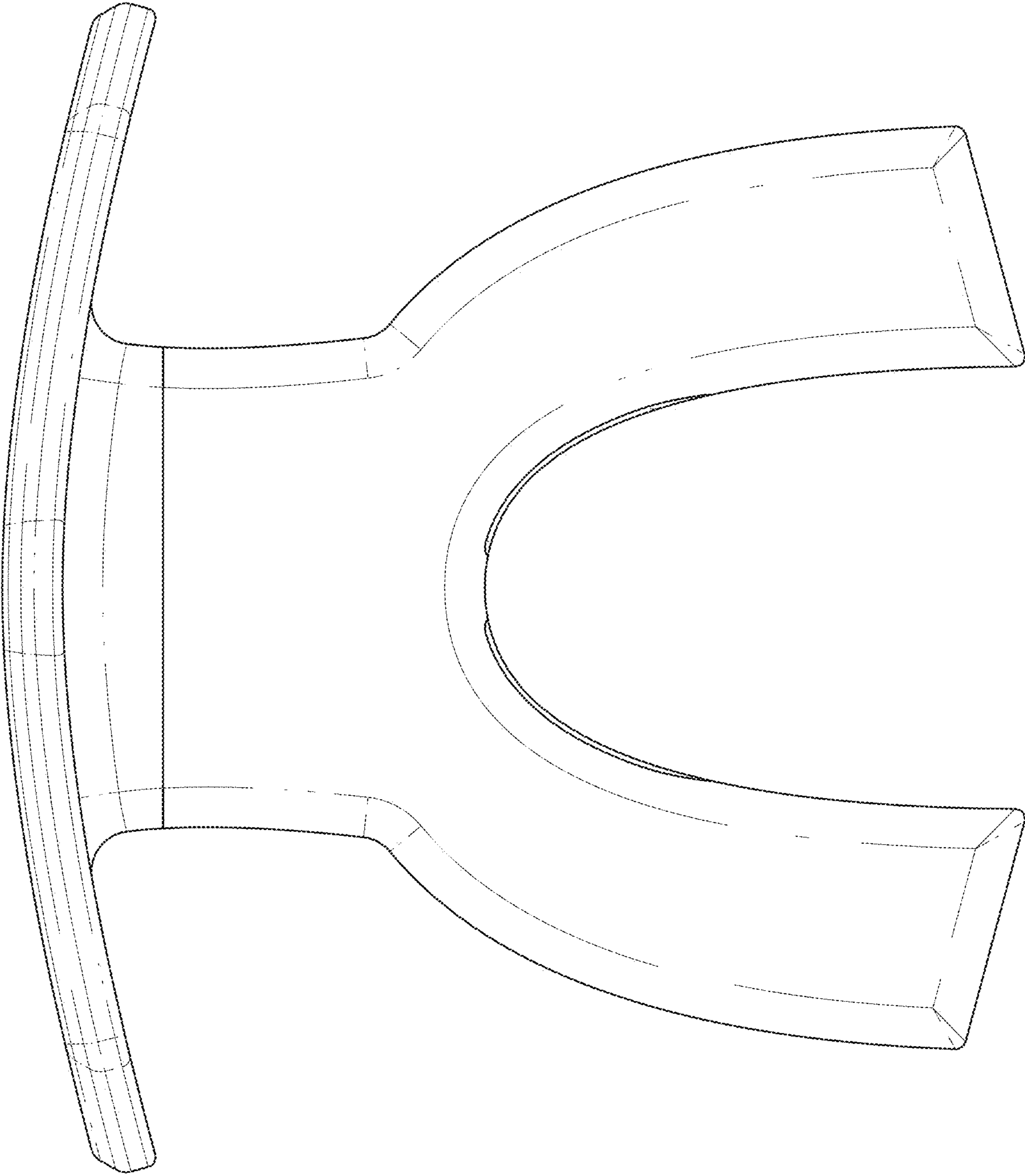


FIG. 8

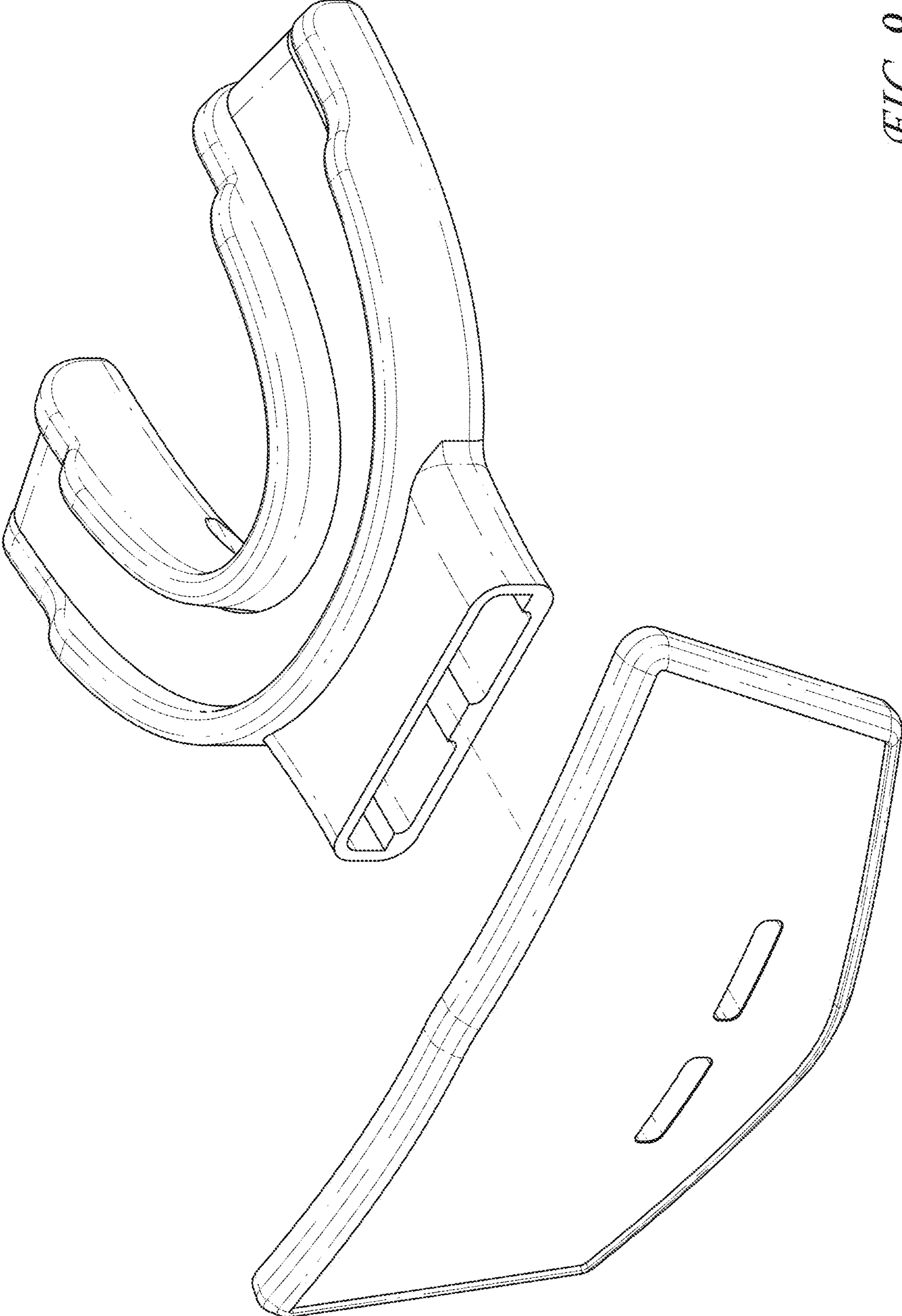


FIG. 9

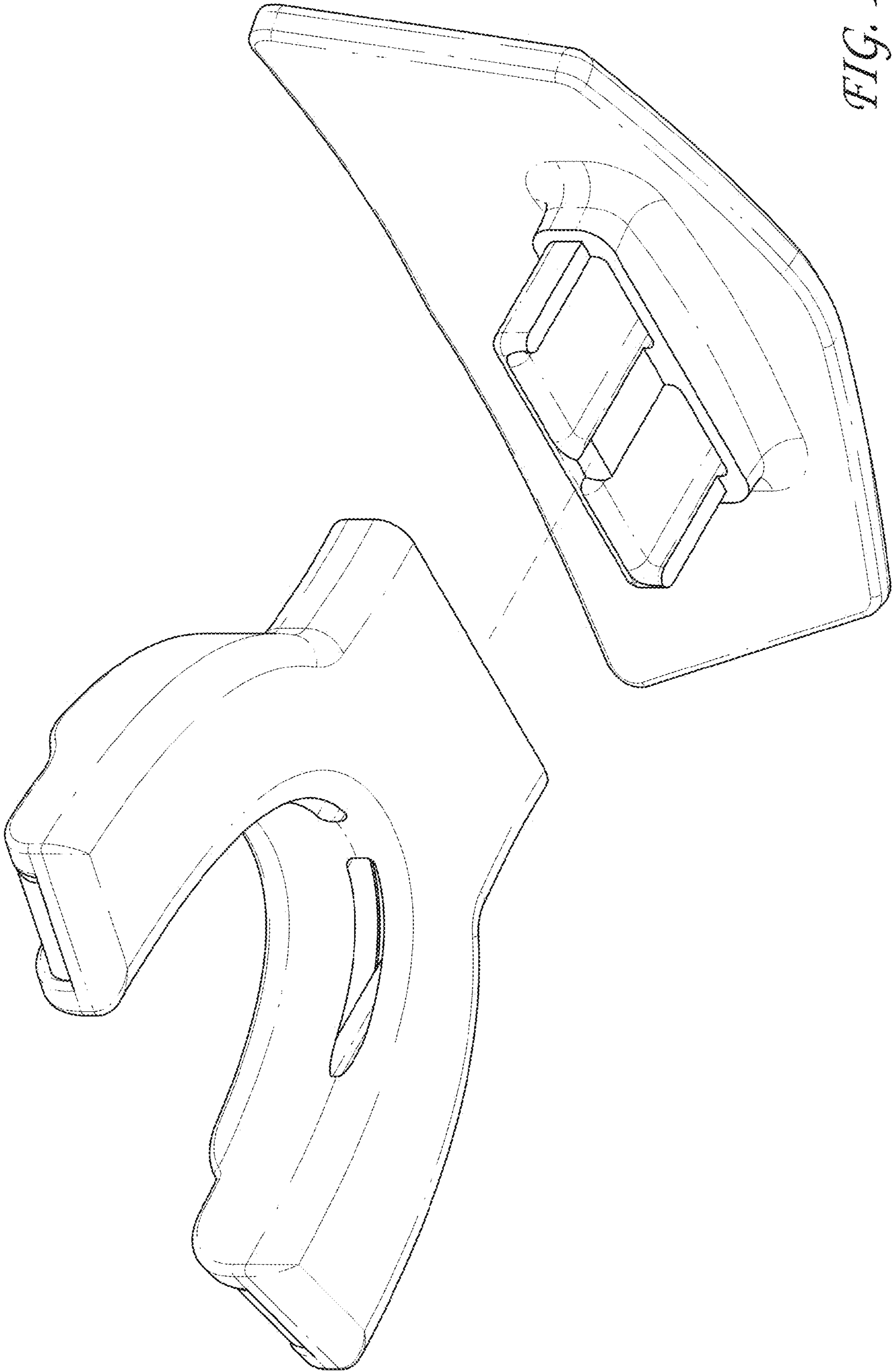


FIG. 10