



US00D912826S

(12) **United States Design Patent**  
**Bao**

(10) **Patent No.:** **US D912,826 S**  
(45) **Date of Patent:** **\*\* Mar. 9, 2021**

(54) **PORTABLE TOOTH WHITENING DEVICE**

(71) Applicant: **Shanghai Vakker Medical Technology Co., Ltd., Shanghai (CN)**

(72) Inventor: **Kun Bao, Shanghai (CN)**

(73) Assignee: **Shanghai Vakker Medical Technology Co., Ltd., Shanghai (CN)**

(\*\*) Term: **15 Years**

(21) Appl. No.: **29/693,607**

(22) Filed: **Jun. 4, 2019**

(30) **Foreign Application Priority Data**

Apr. 23, 2019 (CN) ..... 201930189763.9

(51) **LOC (13) Cl.** ..... **24-02**

(52) **U.S. Cl.**  
USPC ..... **D24/181; D24/176**

(58) **Field of Classification Search**  
USPC ..... D24/176, 178, 180–182, 108; D29/108;  
433/29, 215

CPC ..... A61C 19/06; A61C 19/063; A61C 19/066;  
A61N 5/06; A61N 5/0603; A61N  
2005/0606

See application file for complete search history.

(56) **References Cited**

**U.S. PATENT DOCUMENTS**

6,382,979 B2 \* 5/2002 Lindquist ..... A61C 19/063  
433/215

8,940,033 B2 \* 1/2015 Dwyer ..... A61C 19/066  
607/88

9,901,744 B2 \* 2/2018 Demarest ..... A61C 19/066  
D849,956 S \* 5/2019 Demarest ..... D24/181  
D864,399 S \* 10/2019 Qin ..... D24/176  
D881,400 S \* 4/2020 Abdul ..... D24/181  
D899,600 S \* 10/2020 Li ..... D24/176  
2006/0019214 A1 \* 1/2006 Lawrence ..... A61C 19/063  
433/29  
2015/0132709 A1 \* 5/2015 Park ..... A61C 19/066  
433/29  
2016/0271415 A1 \* 9/2016 Min ..... A61C 19/066  
2017/0173353 A1 \* 6/2017 Demarest ..... A61C 19/063  
2017/0173354 A1 \* 6/2017 Demarest ..... A61C 19/066  
2020/0230432 A1 \* 7/2020 Jablow ..... A61C 19/066

\* cited by examiner

*Primary Examiner* — Wan Laymon

(74) *Attorney, Agent, or Firm* — Bay State IP, LLC

(57) **CLAIM**

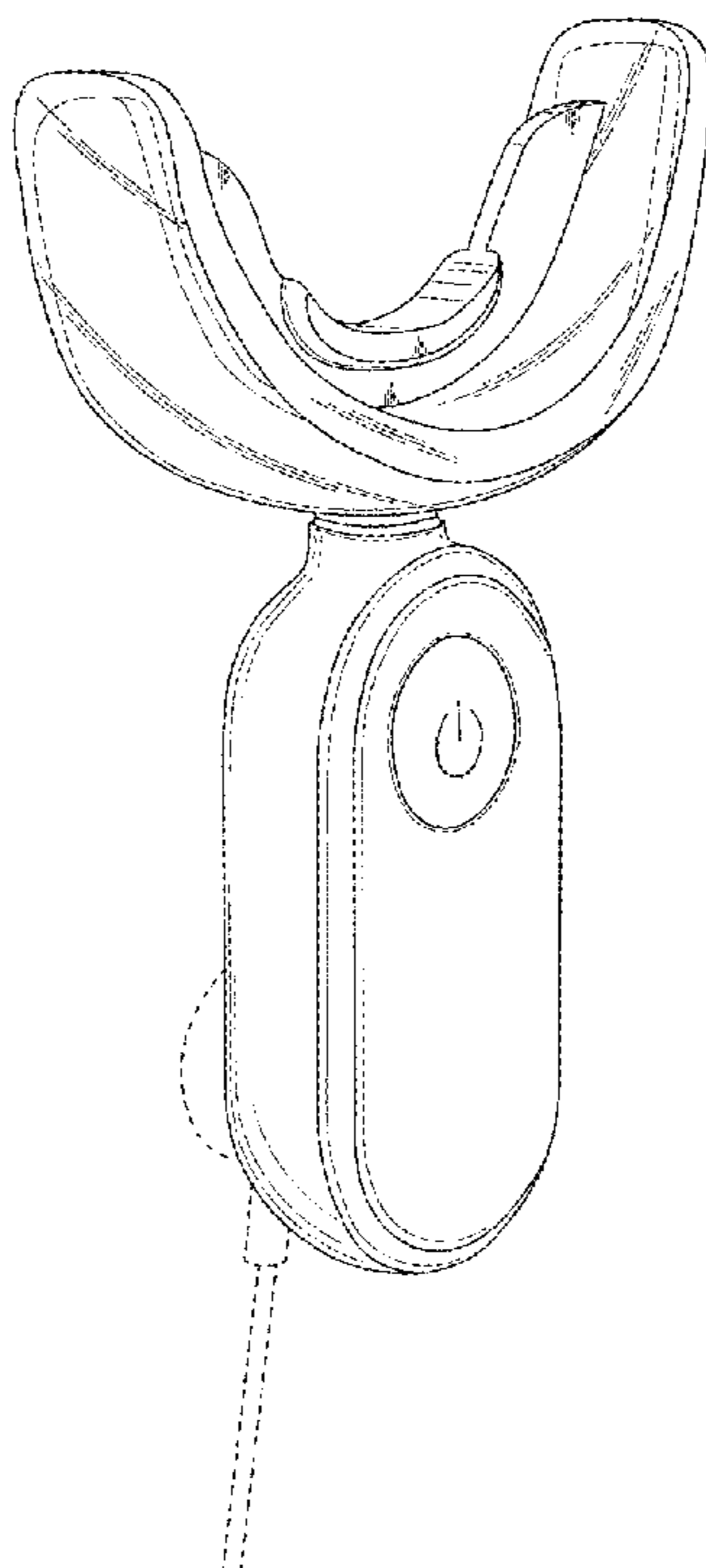
The ornamental design for a portable tooth whitening device, as shown and described.

**DESCRIPTION**

FIG. 1 is a reduced perspective view of the portable tooth whitening device showing my new design;  
FIG. 2 is a front view thereof;  
FIG. 3 is a back view thereof;  
FIG. 4 is a top view thereof;  
FIG. 5 is a bottom view thereof;  
FIG. 6 is a left side view thereof; and,  
FIG. 7 is a right side view thereof.

The broken lines shown in the figures are included for the purpose of illustrating portions of the portable tooth whitening device and form no part of the claimed design.

**1 Claim, 7 Drawing Sheets**



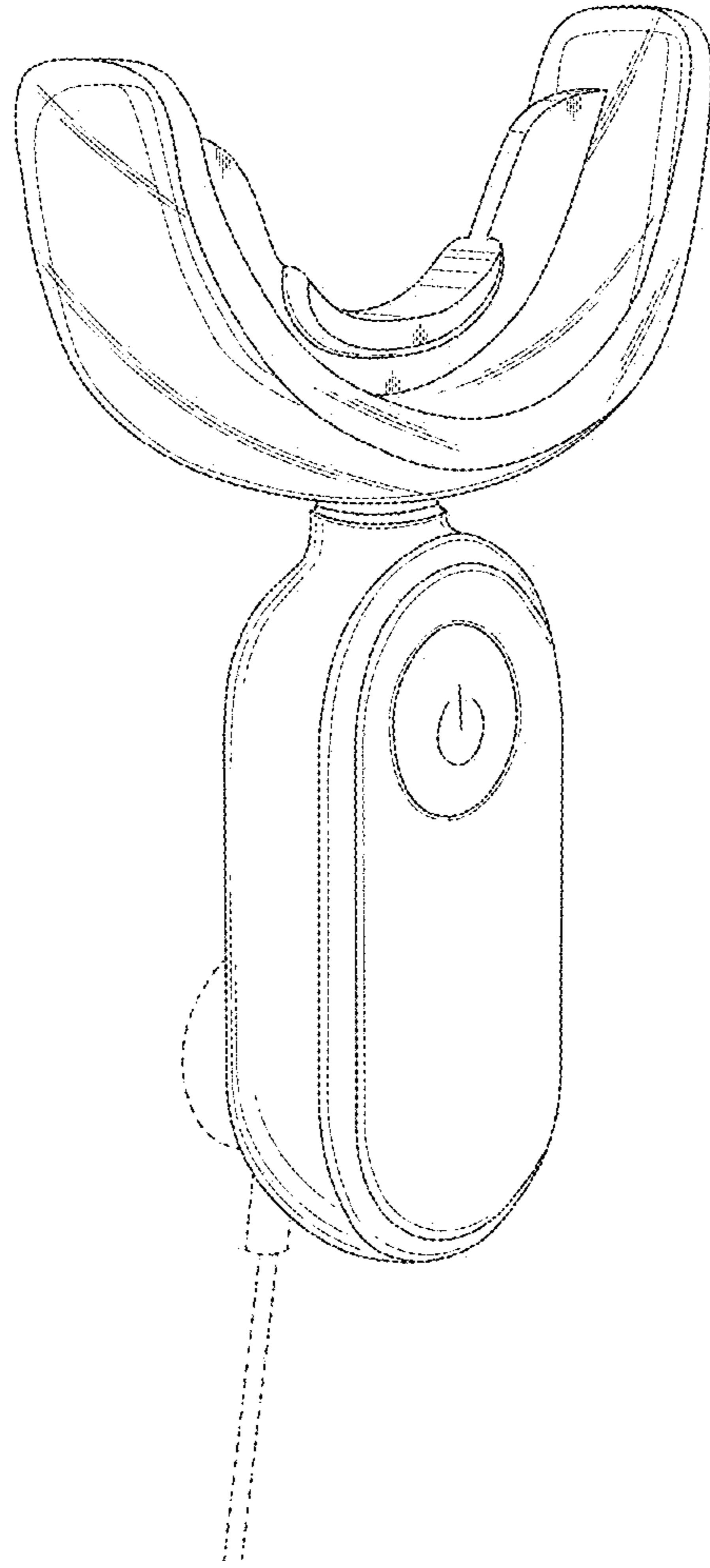


FIG.1

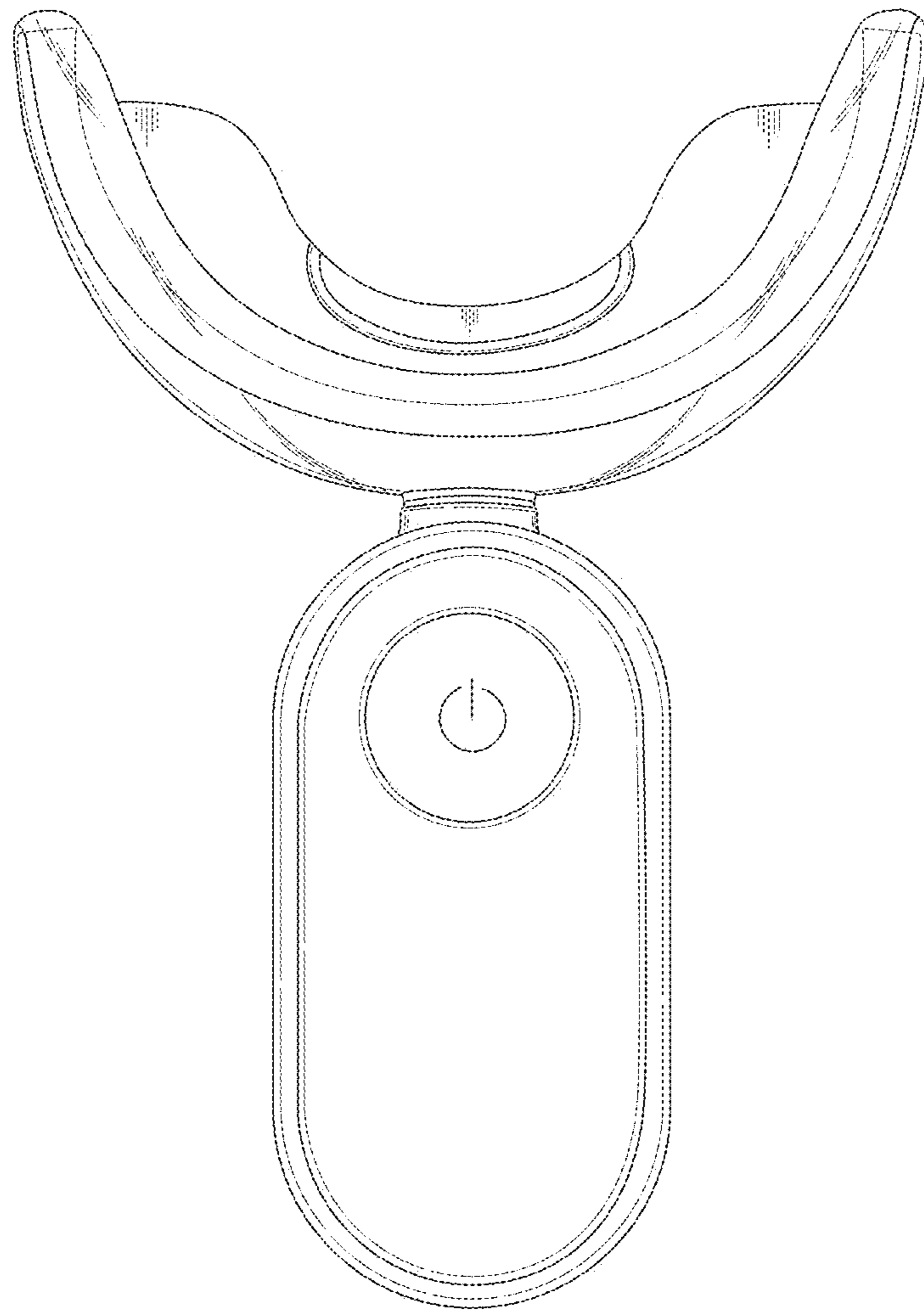


FIG.2

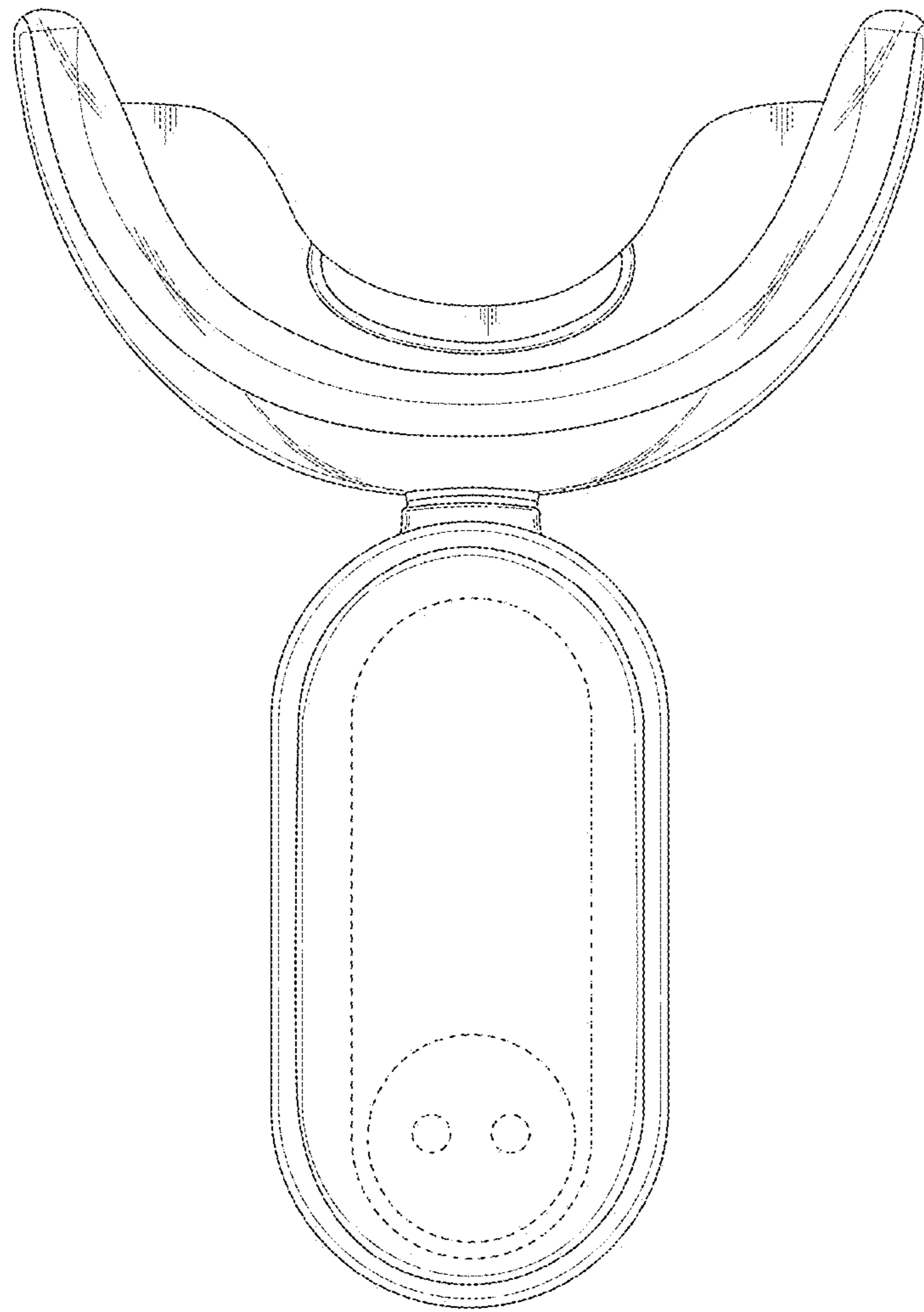


FIG. 3

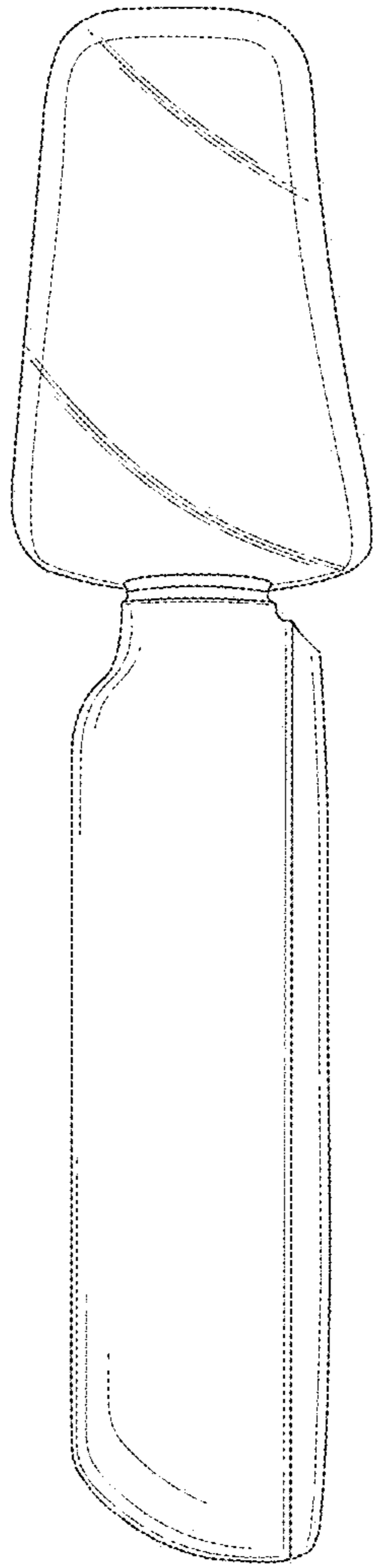


FIG.4

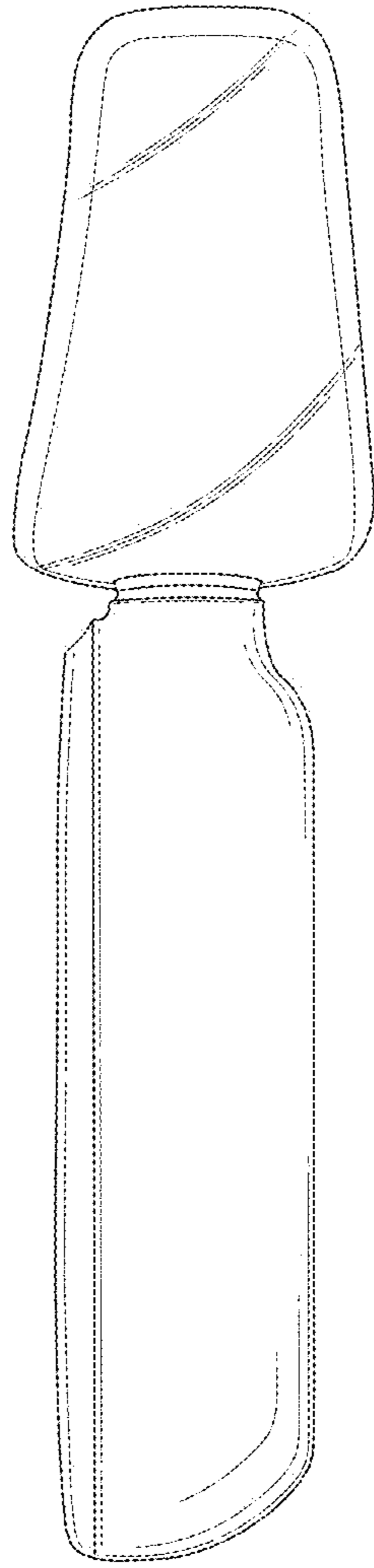


FIG.5

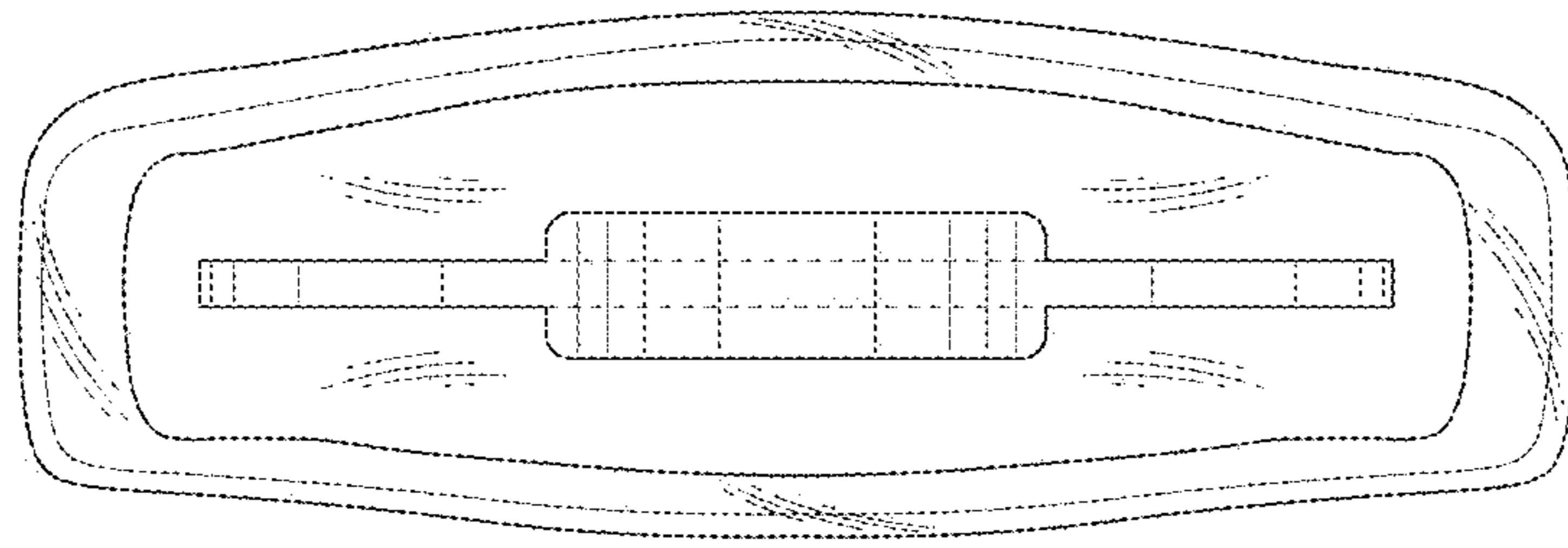


FIG.6

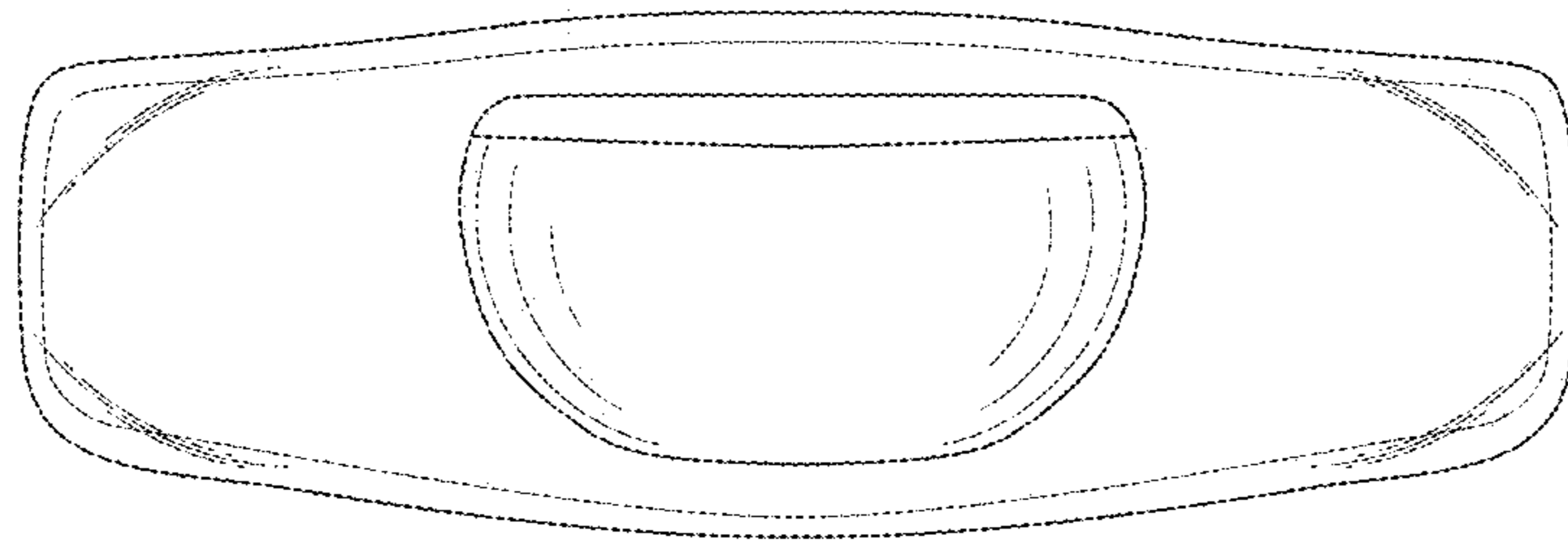


FIG.7