



US00D912824S

(12) **United States Design Patent**
Bao

(10) **Patent No.:** **US D912,824 S**

(45) **Date of Patent:** **** Mar. 9, 2021**

(54) **MICRO MOTOR**

D663,848 S * 7/2012 Kagawa D24/177
D710,504 S * 8/2014 Frenkler D24/177
D809,515 S * 2/2018 Nada D14/356

(71) Applicant: **Shanghai Vakker Medical Technology Co., Ltd.**, Shanghai (CN)

* cited by examiner

(72) Inventor: **Kun Bao**, Shanghai (CN)

Primary Examiner — Derrick E Holland

(73) Assignee: **Shanghai Vakker Medical Technology Co., Ltd.**, Shanghai (CN)

(74) *Attorney, Agent, or Firm* — Bay State IP, LLC

(**) Term: **15 Years**

(21) Appl. No.: **29/699,075**

(57) **CLAIM**

(22) Filed: **Jul. 23, 2019**

The ornamental design for a micro motor, as shown and described.

(30) **Foreign Application Priority Data**

Jul. 2, 2019 (CN) 201930348839.8

DESCRIPTION

(51) **LOC (13) Cl.** **24-02**

(52) **U.S. Cl.**
USPC **D24/177**

(58) **Field of Classification Search**
USPC D13/110, 112, 124, 162, 184; D24/144,
D24/145, 146, 152, 170, 177, 180, 186,
D24/232, 233; D14/356, 433
CPC A61G 5/02; A61C 5/40; A61C 5/62; B05C
17/00516
See application file for complete search history.

FIG. 1 is a perspective view of a micro motor showing my new design;
FIG. 2 is a front view thereof;
FIG. 3 is a back view thereof;
FIG. 4 is a top view thereof;
FIG. 5 is a bottom view thereof;
FIG. 6 is a left side view thereof; and,
FIG. 7 is a right side view thereof.

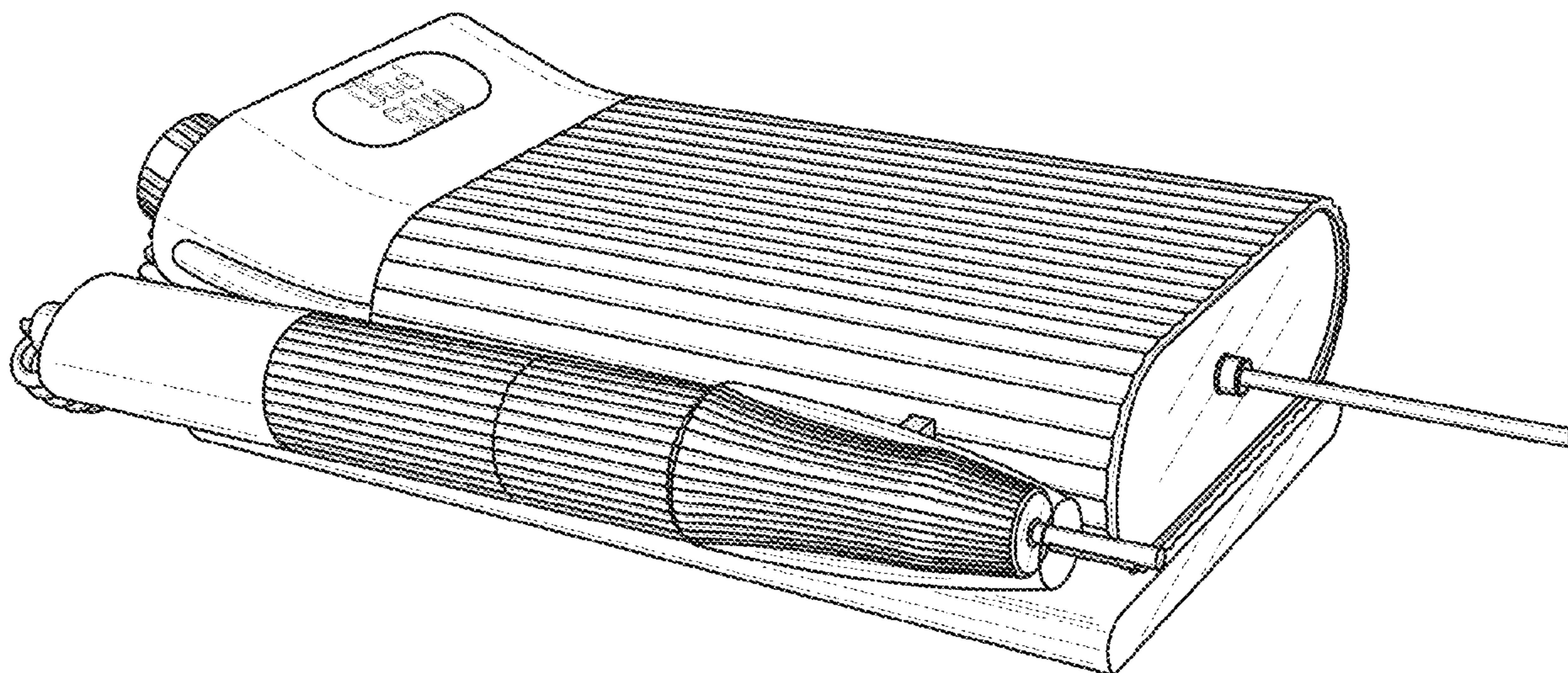
(56) **References Cited**

U.S. PATENT DOCUMENTS

D425,988 S * 5/2000 Frank D24/152
D590,339 S * 4/2009 Yang D13/110
D631,549 S * 1/2011 Kagawa D24/177
D639,945 S * 6/2011 Goerge D24/146

The broken lines shown represent the portions of the micro motor that form no part of the claimed design.

1 Claim, 7 Drawing Sheets



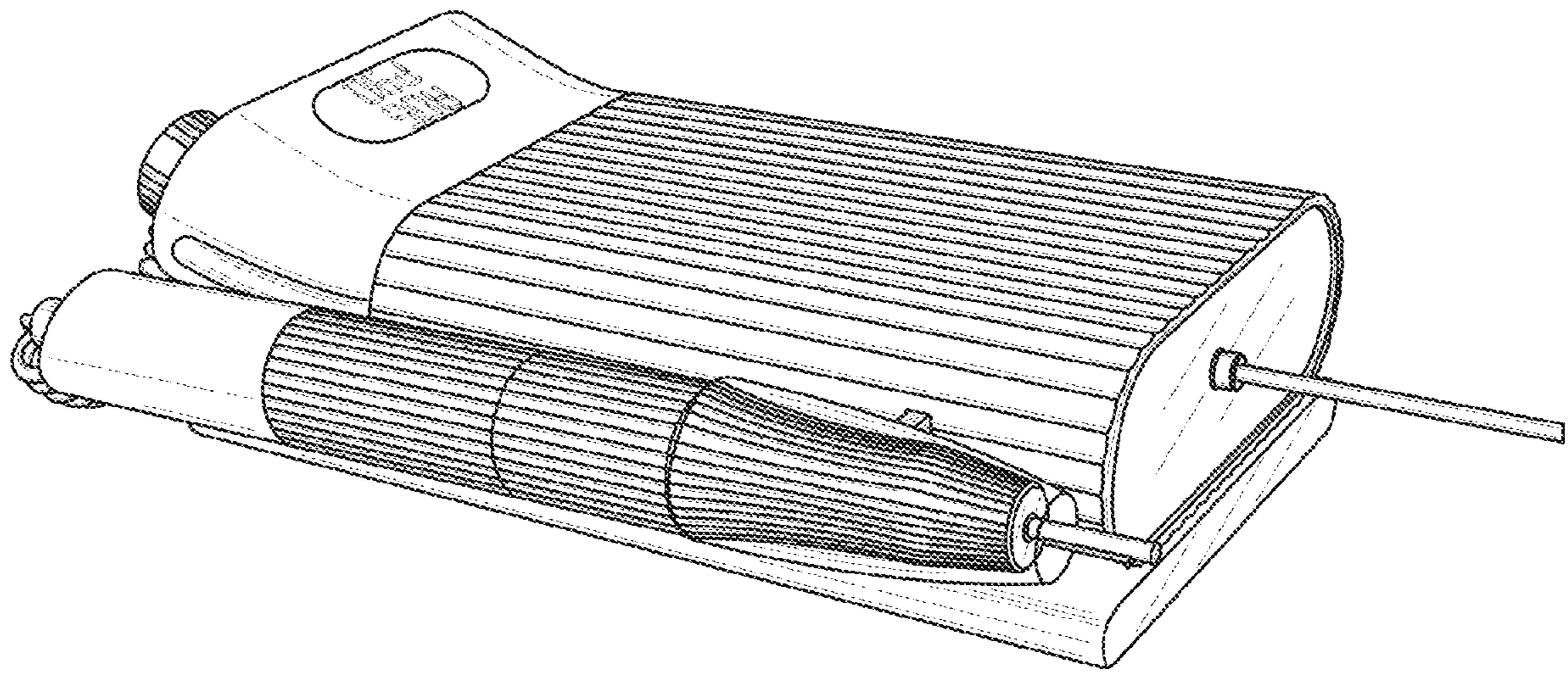


FIG. 1

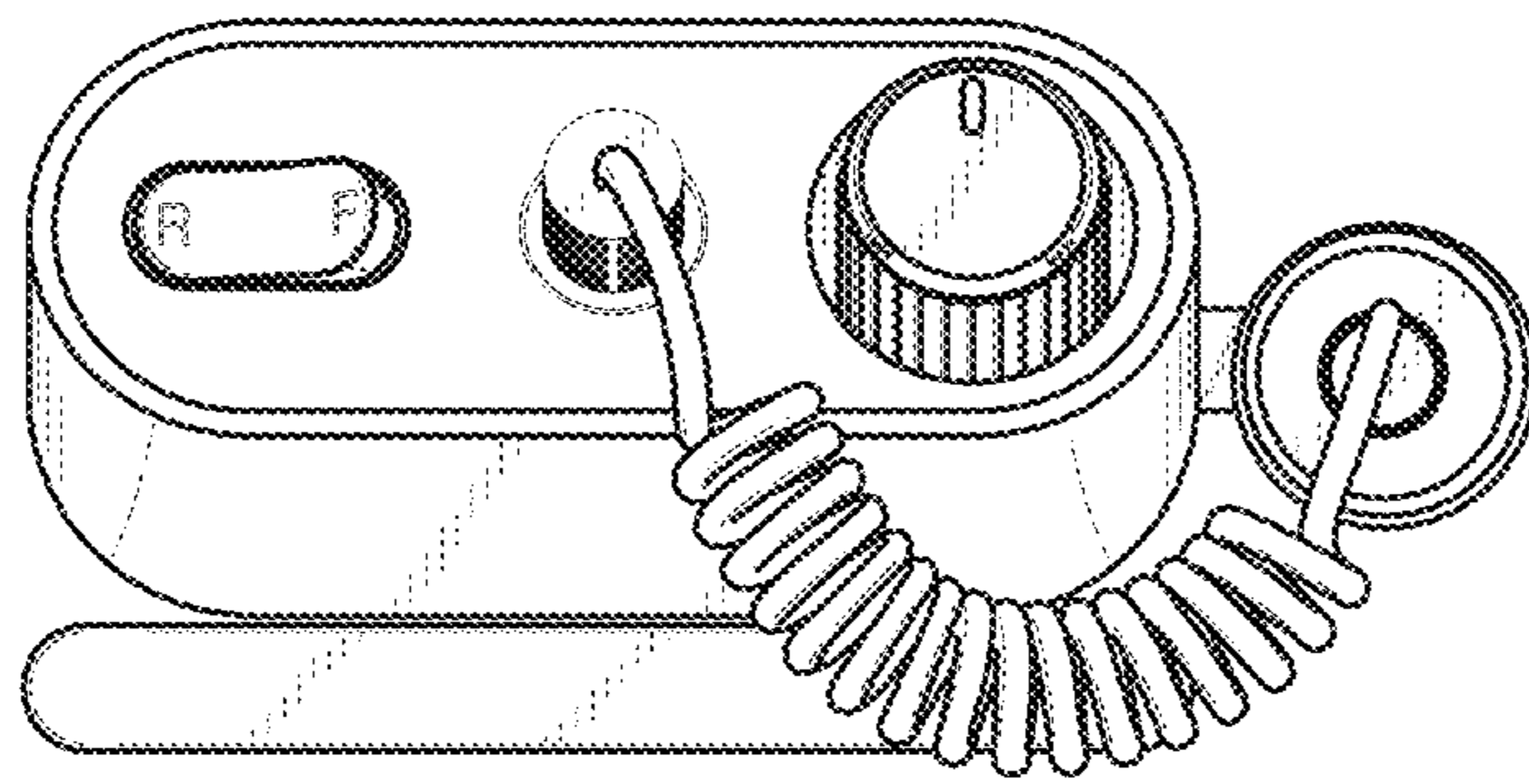


FIG. 2

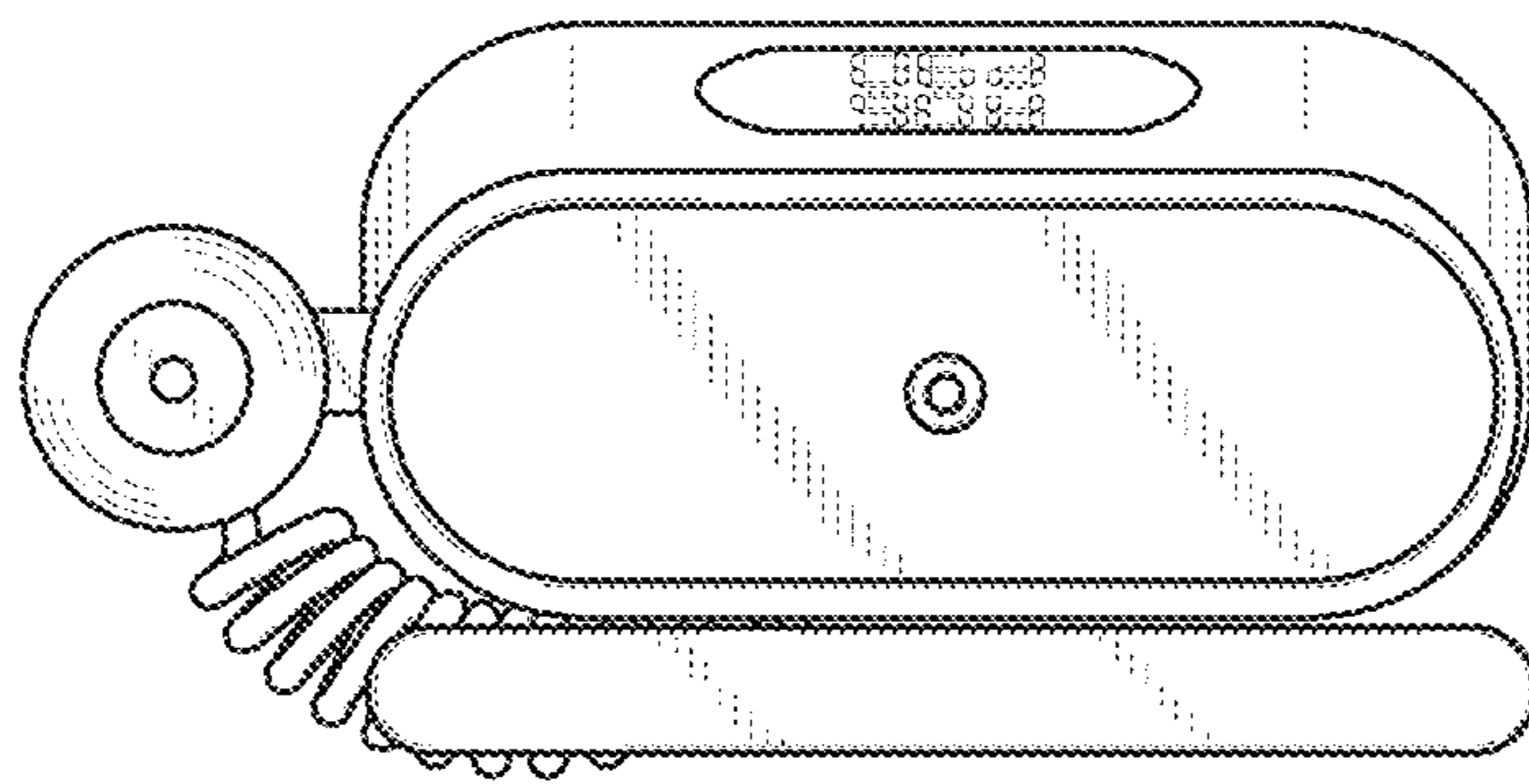


FIG. 3

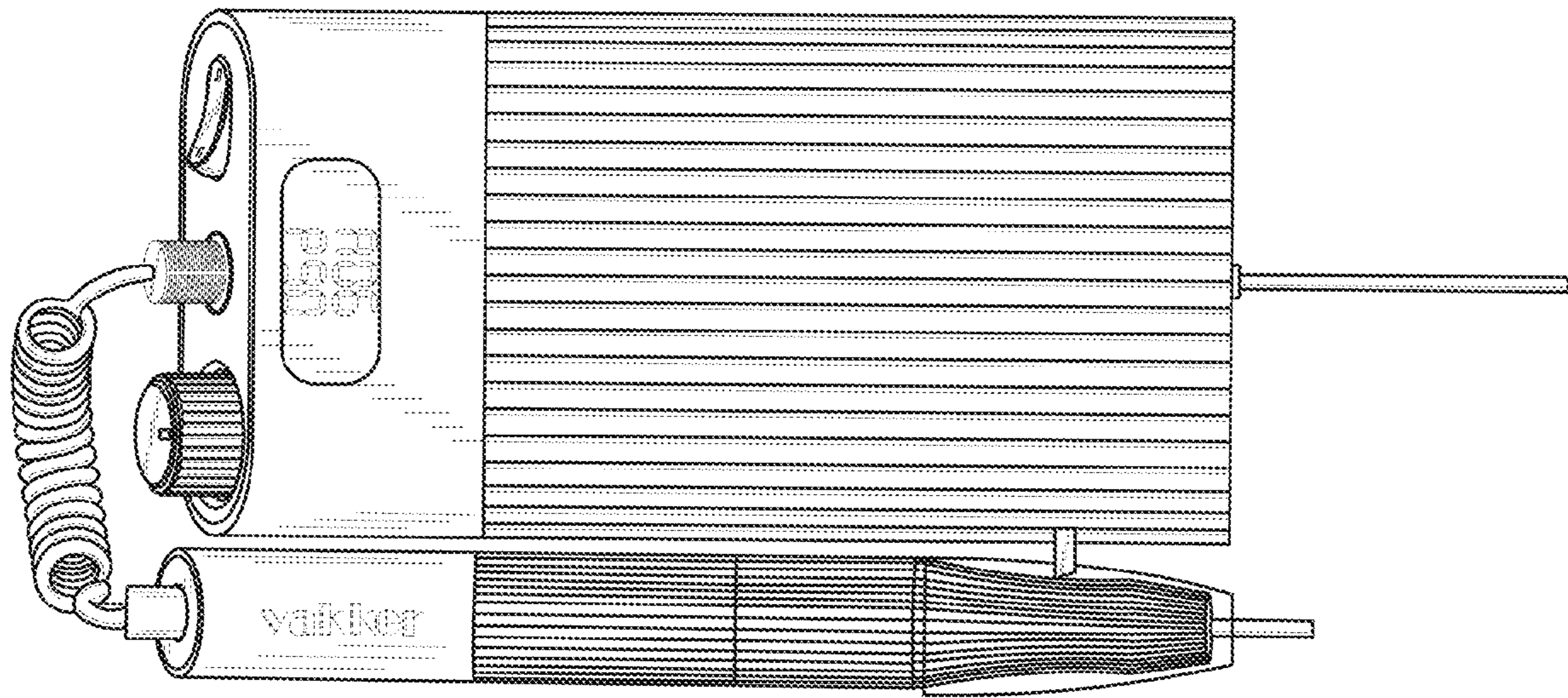


FIG. 4

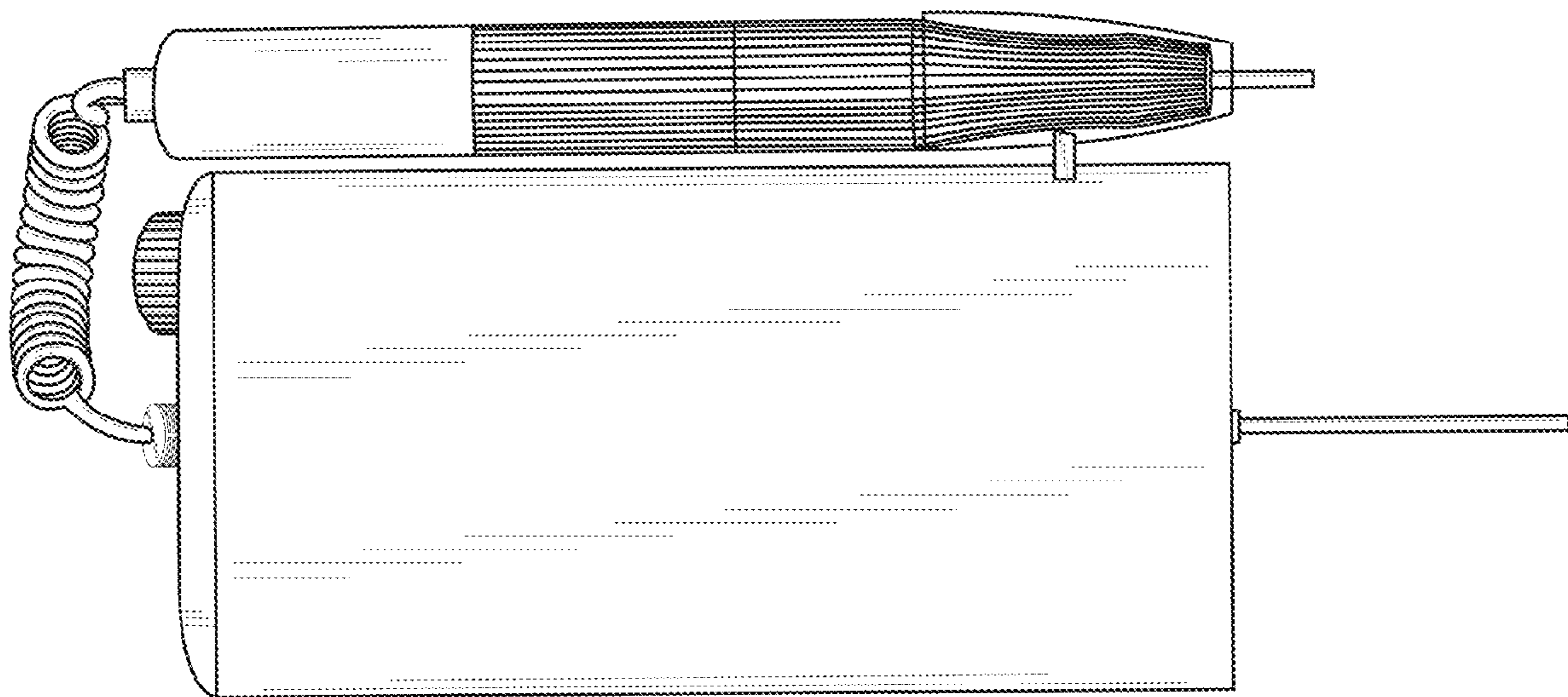


FIG. 5



FIG. 6



FIG. 7