



US00D912823S

(12) **United States Design Patent**
Hwang

(10) **Patent No.:** **US D912,823 S**
(45) **Date of Patent:** **** Mar. 9, 2021**

(54) **ELECTROCARDIOGRAPHIC DEVICE**

(71) Applicant: **HEXACHECK INC.**, Daejeon (KR)

(72) Inventor: **In-Duk Hwang**, Sejong (KR)

(73) Assignee: **HEXACHECK INC.**, Daejeon (KR)

(**) Term: **15 Years**

(21) Appl. No.: **35/507,302**

(22) Filed: **Feb. 13, 2019**

(80) **Hague Agreement Data**

Int. Filing Date: **Feb. 13, 2019**

Int. Reg. No.: **DM/202289**

Int. Reg. Date: **Feb. 13, 2019**

Int. Reg. Pub. Date: **Aug. 23, 2019**

(30) **Foreign Application Priority Data**

Aug. 13, 2018 (KR) 30-2018-0037572

(51) **LOC (13) Cl.** **24-02**

(52) **U.S. Cl.**
USPC **D24/167**

(58) **Field of Classification Search**

USPC D24/44, 121, 164, 165, 167, 185, 186,
D24/232; D10/46, 70, 75, 98, 122-126;
D14/138 C, 138 R, 203.3, 215, 216, 228,
D14/380, 389, 398, 486, 507, 509
CPC A61B 5/0404; A61B 2560/0406; A61B
2560/0468; A61B 2562/046; A61B
5/04085; A61B 5/0424; A61B 5/0472;
A61B 2560/0209; A61B 5/0006; A61B
5/002; A61B 5/02055; A61B 5/14532;
A61B 5/14546; A61B 5/6826

See application file for complete search history.

(56) **References Cited**

U.S. PATENT DOCUMENTS

D420,452 S * 2/2000 Cardy D24/224
D583,948 S * 12/2008 Hachimaru D24/165

D595,415 S * 6/2009 Fukuzawa D24/186
D712,065 S * 8/2014 Noda D24/232
D714,948 S * 10/2014 Vaccarella D24/186
D719,263 S * 12/2014 Shibata D24/165
D733,917 S * 7/2015 Klein D24/232
D743,035 S * 11/2015 Uozumi D24/165
D771,821 S * 11/2016 Hilbig D24/186
D844,788 S * 4/2019 Pastrick D24/167
D851,253 S * 6/2019 Goolkasian D24/167

(Continued)

OTHER PUBLICATIONS

AliveCor KardiaMobile 6L [https://www.amazon.com/AliveCor%
C2%AE-KardiaMobile-FDA-Cleared-Wireless-Smartphone/dp/
B07RQW6SD5/ref=sr_1_1?dchild=1&keywords=mobile+ekg&qid=
1608252526&sr=8-1](https://www.amazon.com/AliveCor%C2%AE-KardiaMobile-FDA-Cleared-Wireless-Smartphone/dp/B07RQW6SD5/ref=sr_1_1?dchild=1&keywords=mobile+ekg&qid=1608252526&sr=8-1) Jul. 12, 2019 (Year: 2019).*

(Continued)

Primary Examiner — Samantha Q Lawrence

(74) *Attorney, Agent, or Firm* — IPLA P.A.

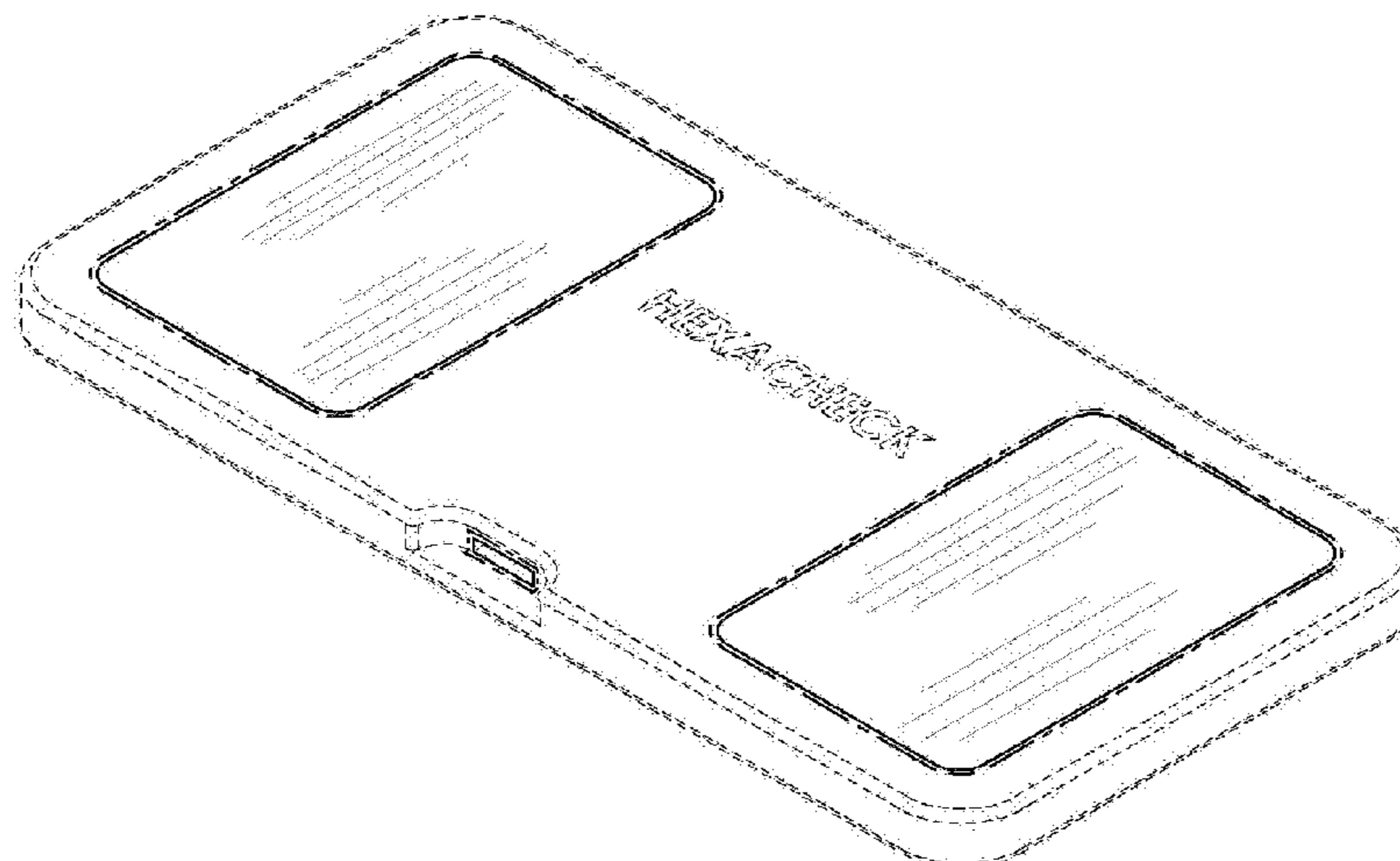
(57) **CLAIM**

The ornamental design for an electrocardiographic device,
as shown and described.

DESCRIPTION

1. Electrocardiographic device
Figure 1.1 is a perspective view of a electrocardiographic device;
Figure 1.2 is a front view thereof;
Figure 1.3 is a back view thereof;
Figure 1.4 is a left view thereof;
Figure 1.5 is a right view thereof;
Figure 1.6 is a top view thereof;
Figure 1.7 is a bottom view thereof; and
Figure 1.8 is another perspective view thereof.
The broken lines shown in Figures 1.1-1.8 illustrate portions of the electrocardiographic device that form no part of the claimed design. The dot-dash lines shown in Figures 1.1-1.8 illustrate the bounds of the claim and form no part of the claimed design.

1 Claim, 3 Drawing Sheets



(56)

References Cited

U.S. PATENT DOCUMENTS

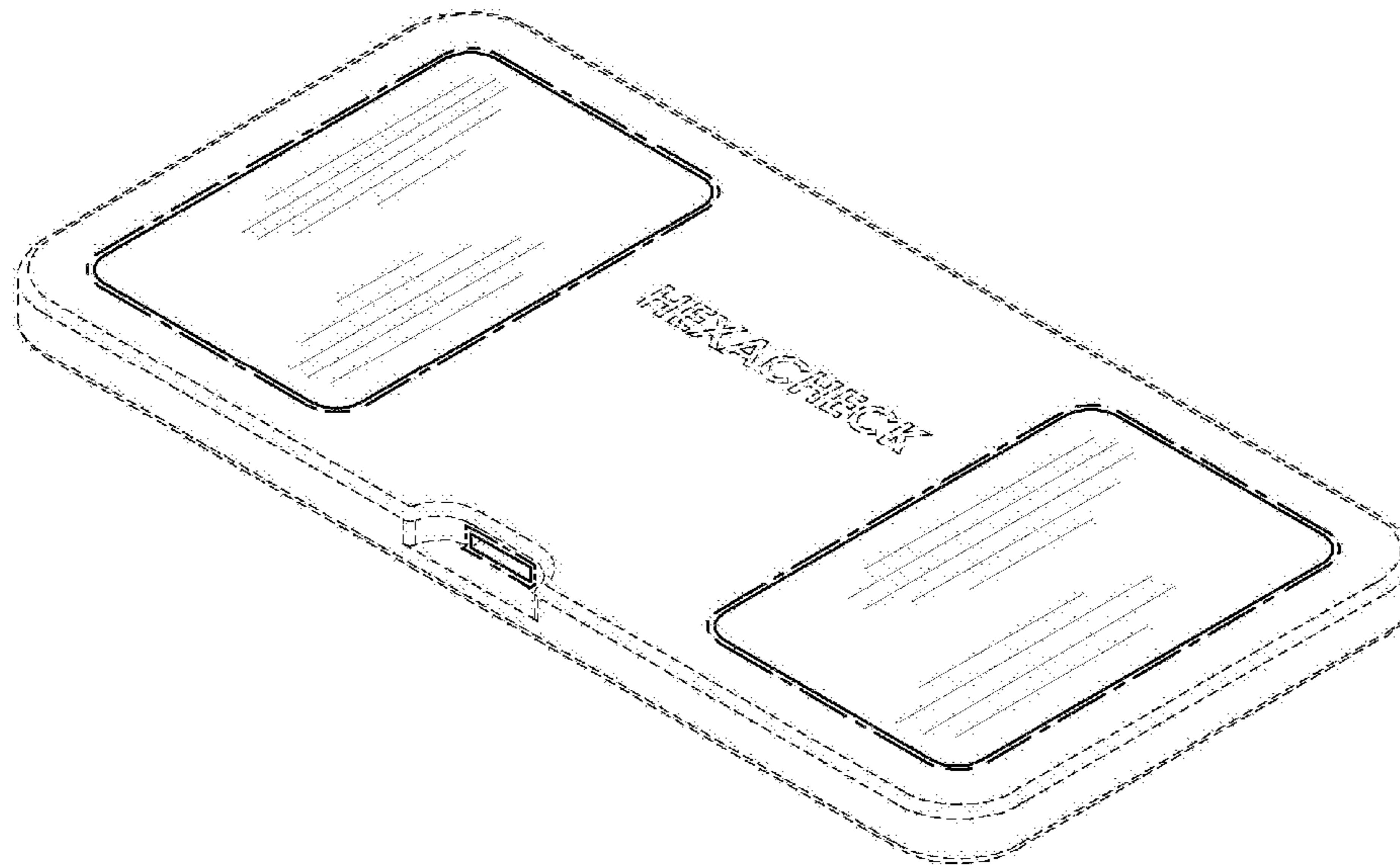
D854,433 S * 7/2019 Vandebussche D10/70
D868,974 S * 12/2019 Albert D24/167
D895,118 S * 9/2020 Hwang D24/167
D895,119 S * 9/2020 Hwang D24/167
D895,120 S * 9/2020 Hwang D24/167
2020/0315480 A1 * 10/2020 Hwang A61B 5/681

OTHER PUBLICATIONS

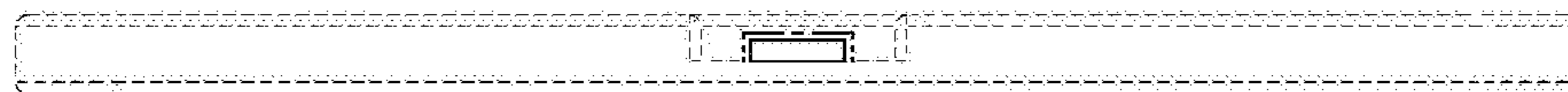
ECG Check <https://www.cardiacdesigns.com/product-page/ecg-check> Aug. 9, 2020 (Year: 2020).*

* cited by examiner

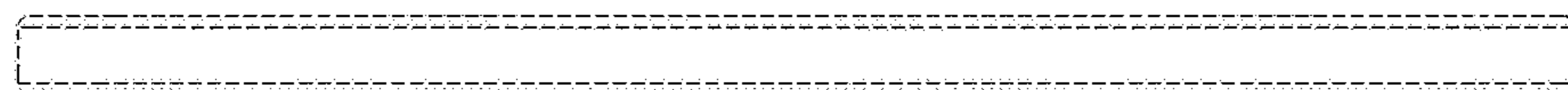
1.1



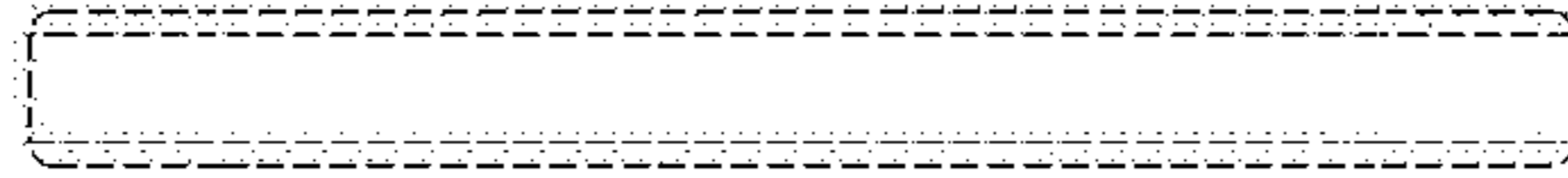
1.2



1.3



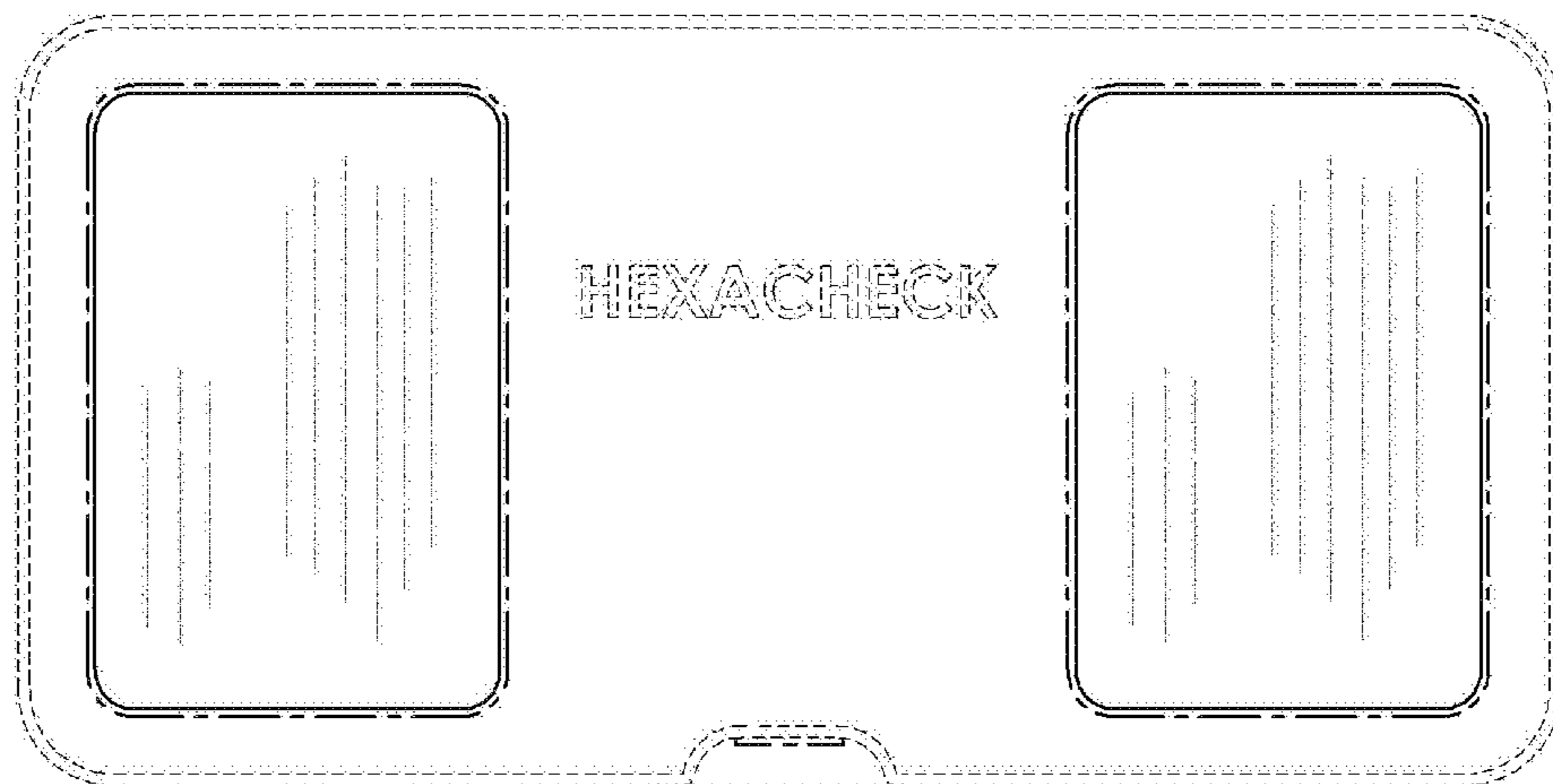
1.4



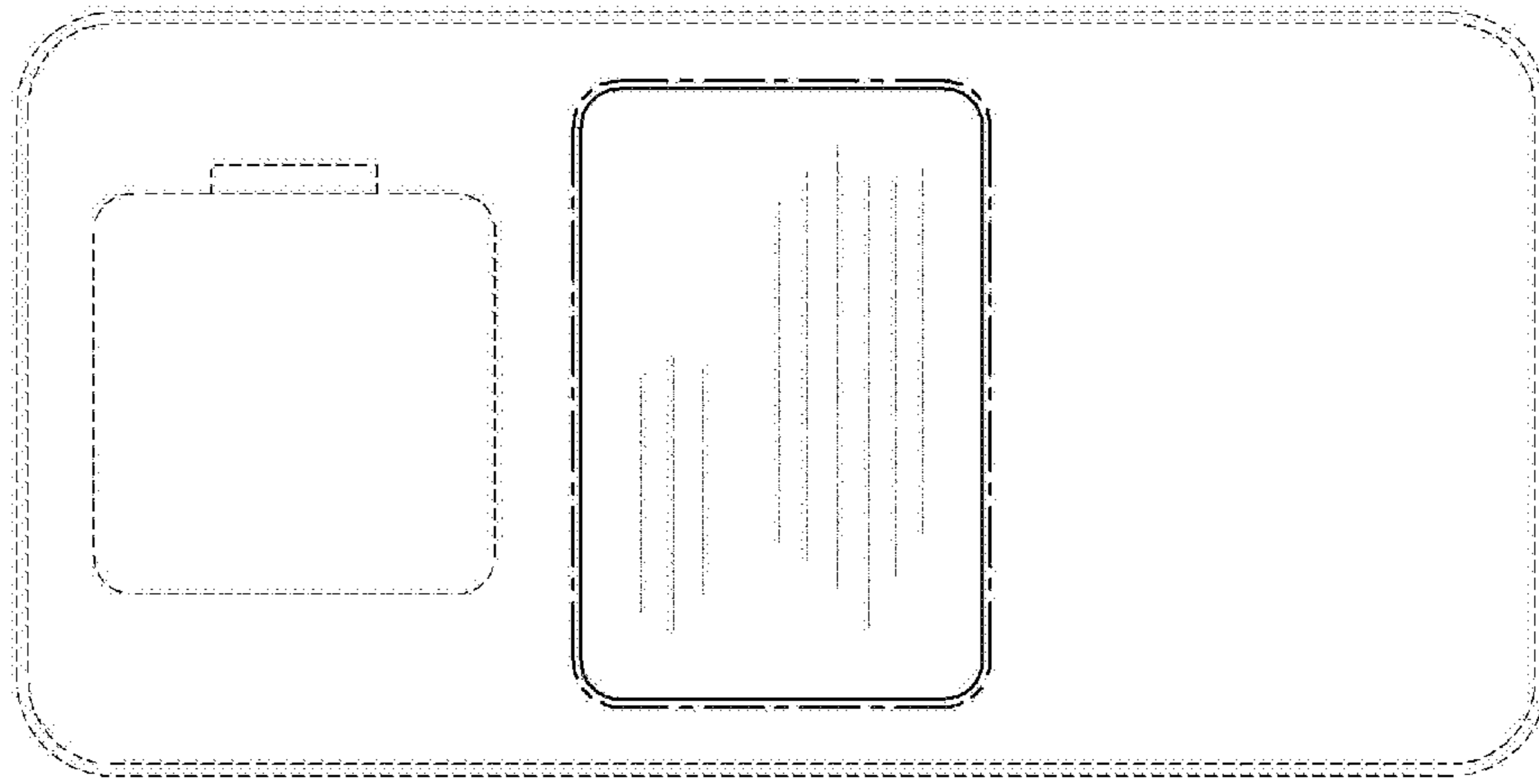
1.5



1.6



1.7



1.8

