



US00D912821S

(12) **United States Design Patent** (10) **Patent No.:** **US D912,821 S**  
**Serbousek et al.** (45) **Date of Patent:** **\*\* Mar. 9, 2021**

(54) **HALO SCREW IMPLANT**

FOREIGN PATENT DOCUMENTS

(71) Applicant: **IN QUEUE INNOVATIONS, LLC**,  
Winona Lake, IN (US)

WO 2005072631 A1 8/2005  
WO 2007149426 A3 12/2007

(Continued)

(72) Inventors: **Jon C. Serbousek**, Winona Lake, IN (US); **Jill A. Serbousek**, Winona Lake, IN (US); **Richard G. Fessler**, Lake Forest, IL (US); **Jeffrey Nycz**, Warsaw, IN (US)

OTHER PUBLICATIONS

Science Direct, "A minimally invasive approach to defects", first available Dec. 2015. <https://www.sciencedirect.com/science/article/pii/S0303846715003005> (Year: 2015).\*

(Continued)

(73) Assignee: **Duet Spine Holdings, LLC**, Winona Lake, IN (US)

*Primary Examiner* — April Rivas

*Assistant Examiner* — Justin A Johnson

(\*\*) Term: **15 Years**

(74) *Attorney, Agent, or Firm* — Heslin Rothenberg Farley & Mesiti P.C.

(21) Appl. No.: **29/720,522**

(22) Filed: **Jan. 14, 2020**

(57) **CLAIM**

The ornamental design for a halo screw implant, as shown and described.

(51) **LOC (13) Cl.** ..... **24-03**

(52) **U.S. Cl.**

USPC ..... **D24/155**; D8/387

**DESCRIPTION**

(58) **Field of Classification Search**

USPC ..... D2/896, 902, 905, 906, 907, 908, 919, D2/920, 921, 922, 923, 946, 947, 948, D2/949, 950, 951, 952, 953, 954, 960, D2/968, 980, 983; D8/349, 382, 387, 47, D8/388, 391, 392, 393, 394, 395, 396, D8/397, 398, 399, 721; D24/107, 133, D24/141, 143, 155, 171, 188, 190, 192, D24/213, 215

FIG. 2 is a bottom, back perspective view of the design of FIG. 1;

FIG. 3 is a left side elevational view of the design of FIG. 1;

FIG. 4 is a right side elevational view of the design of FIG. 1;

FIG. 5 is a front elevational view of the design of FIG. 1; FIG. 6 is a back elevational view of the design of FIG. 1;

FIG. 7 is a top view of the design of FIG. 1; FIG. 8 is a bottom view of the design of FIG. 1; and,

FIG. 9 is a top, front perspective view of the halo screw implant of FIG. 1 with an inserted bone connector and a set screw shown.

The broken lines illustrate portions of the halo screw implant. The broken lines in FIG. 9 illustrate environment. None of the broken lines form part of the claimed design.

(Continued)

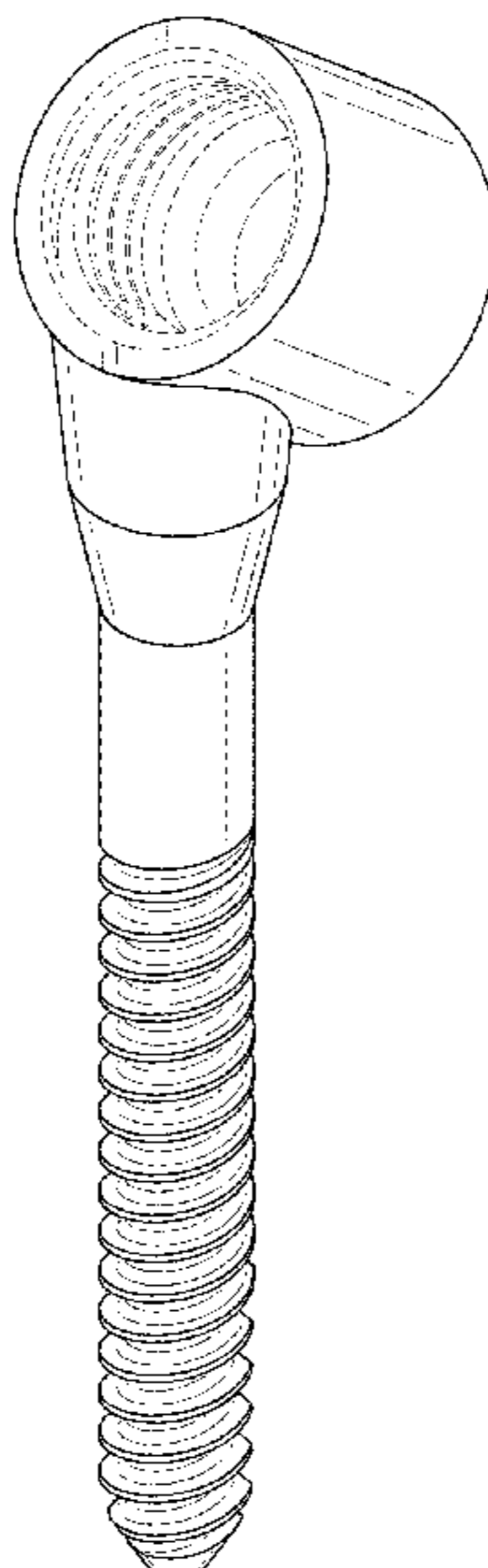
(56) **References Cited**

U.S. PATENT DOCUMENTS

5,057,109 A 10/1991 Olerud  
5,074,790 A \* 12/1991 Bauer ..... A61C 8/0075  
433/174

(Continued)

**1 Claim, 6 Drawing Sheets**



(58) **Field of Classification Search**

CPC . A61B 17/151; A61B 17/154; A61B 17/8095;  
 A61B 17/7058; A61B 17/58; A61F 2/00;  
 A61F 2/0009; A61F 2/0022; A61F  
 2/0063; A61F 2/0077; A61F 2002/0081;  
 A61F 2002/0086; A61F 2002/009; A61F  
 2002/0091; A61F 2/28; A61F 2/30; A61F  
 2002/30108; A61F 2002/30112; A61F  
 2002/30125; A61F 2002/30151; A61F  
 2002/30153; A61F 2002/30154; A61F  
 2002/30158; A61F 2002/30199; A61F  
 2002/30224; A61F 2002/30263; A61F  
 2002/30266; A61F 2002/30281; A61F  
 2/38; A61F 2/42; A61F 2/4225; A61F  
 2/44; A61F 2/4405; A61F 2/441; A61F  
 2002/4415; A61F 2/442; A61F 2/4425;  
 A61F 2002/443; A61F 2/446; A61F  
 2/447; A61F 2/60; A61F 2002/6614;  
 A61F 2002/6657; A61F 2002/665; A61F  
 2/78; A61L 27/00; A61L 2430/38; G06T  
 2207/30052

See application file for complete search history.

9,480,507 B2 11/2016 Overes et al.  
 9,636,154 B2 5/2017 Overes et al.  
 D885,874 S \* 6/2020 Hsiao ..... A61B 17/7007  
 D8/387  
 D898,196 S \* 10/2020 Corbin ..... D24/155  
 2003/0100904 A1 5/2003 Biedermann  
 2006/0241600 A1 10/2006 Ensign  
 2007/0198014 A1\* 8/2007 Graf ..... A61B 17/7007  
 623/17.16  
 2008/0183214 A1 7/2008 Copp et al.  
 2008/0269810 A1\* 10/2008 Zhang ..... A61B 17/7034  
 606/305  
 2009/0088799 A1\* 4/2009 Yeh ..... A61B 17/7037  
 606/246  
 2010/0137920 A1\* 6/2010 Hammill, Sr. .... A61B 17/7034  
 606/308  
 2010/0228292 A1 9/2010 Arnold  
 2016/0278815 A1 9/2016 Fitzpatrick  
 2016/0287298 A1\* 10/2016 Pavlov ..... A61B 17/154  
 2019/0336189 A1\* 11/2019 Cundiff ..... A61B 17/8605

FOREIGN PATENT DOCUMENTS

WO 2008089298 A3 7/2008  
 WO 2013169306 A1 11/2013

OTHER PUBLICATIONS

ResearchGate, "Computer-assisted design and analysis of pedicle screw placement", first available Jun. 2018. ([https://www.researchgate.net/figure/Pedicle-screw-system-consists-of-pedicle-screws-which-are-inserted-into-vertebral\\_fig2\\_325764052](https://www.researchgate.net/figure/Pedicle-screw-system-consists-of-pedicle-screws-which-are-inserted-into-vertebral_fig2_325764052)) (Year: 2018).\*

Made-in-China, "Spine Titanium Screws Spine Fixation System", first accessed Dec. 7, 2020. (<https://traumed.en.made-in-china.com/product/sKuEclakbWRe/China-Spine-Titanium-Screws-Spine-Fixation-System-Polyaxial-Pedicle-Screw.html>) (Year: 2020).\*

Nexxt Spine, "Inertia Pedicle Screw System", first accessed Dec. 7, 2020. (<https://nuxtspine.com/products/inertia/inertia-pedicle-screw-system/>) (Year: 2020).\*

\* cited by examiner

(56)

**References Cited**

U.S. PATENT DOCUMENTS

5,540,688 A 7/1996 Navas  
 5,562,737 A 10/1996 Graf  
 D413,791 S \* 9/1999 May ..... D8/387  
 D557,131 S \* 12/2007 Liu ..... D8/387  
 D573,877 S \* 7/2008 Vautour ..... D8/387  
 8,377,099 B1 2/2013 Stauber  
 8,591,513 B2 11/2013 Overes  
 9,060,808 B2 6/2015 Overes  
 9,149,316 B2 10/2015 Appenzeller et al.  
 9,204,911 B2 12/2015 Overes et al.  
 D747,642 S \* 1/2016 Grace ..... A61B 17/7034  
 D8/387

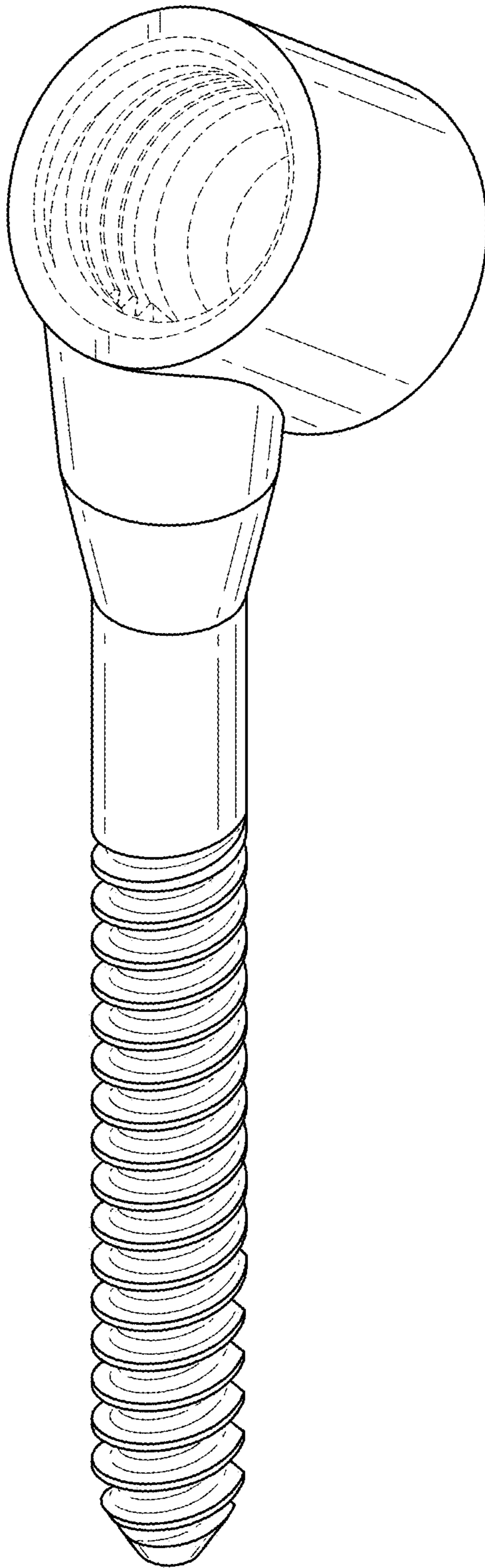


FIG. 1



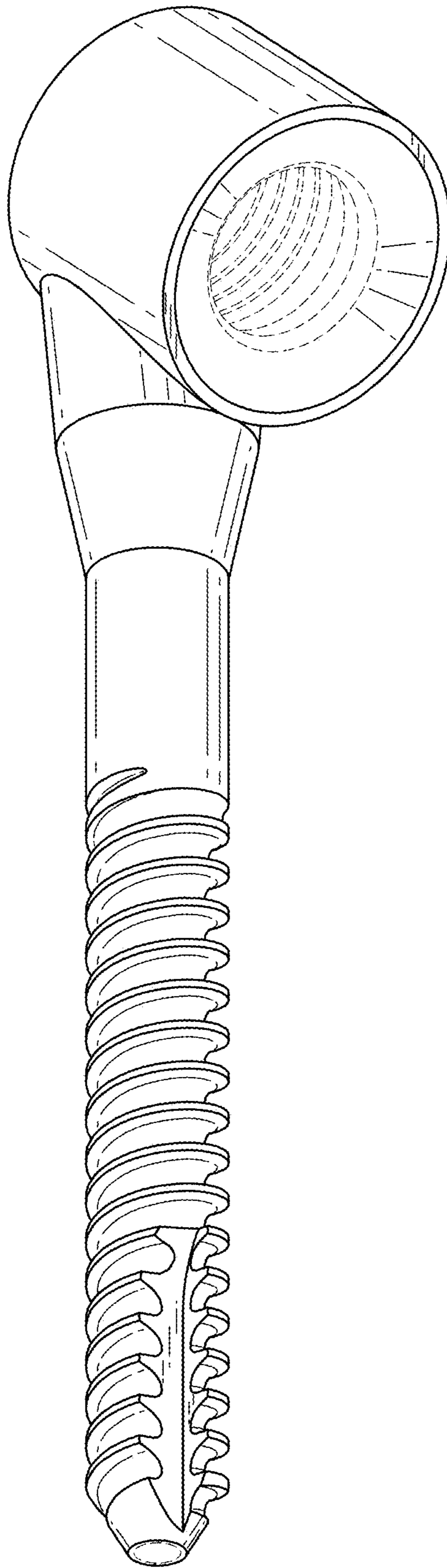


FIG. 2

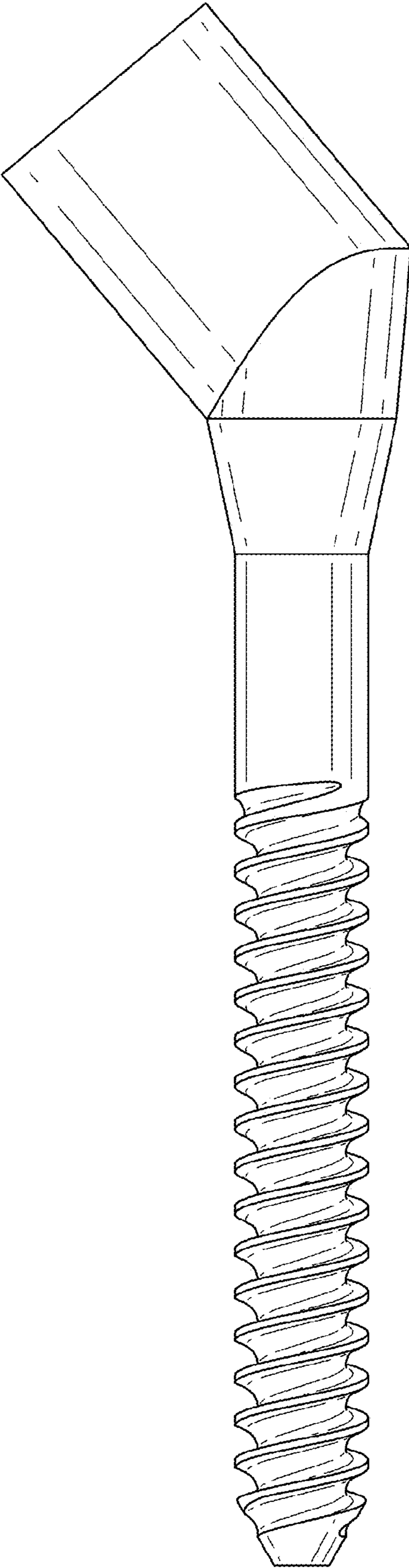


FIG. 3

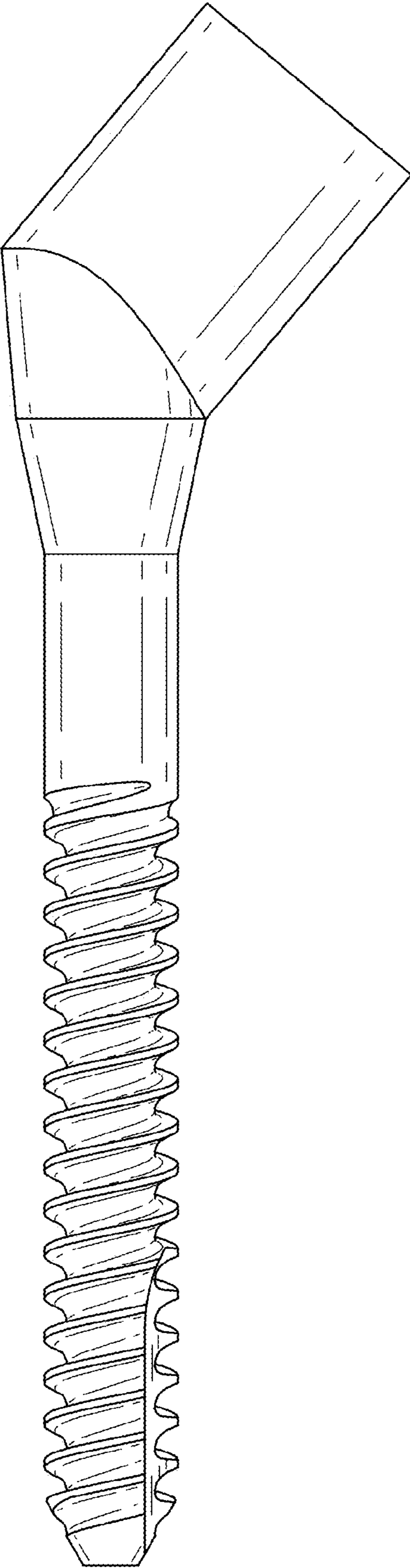


FIG. 4

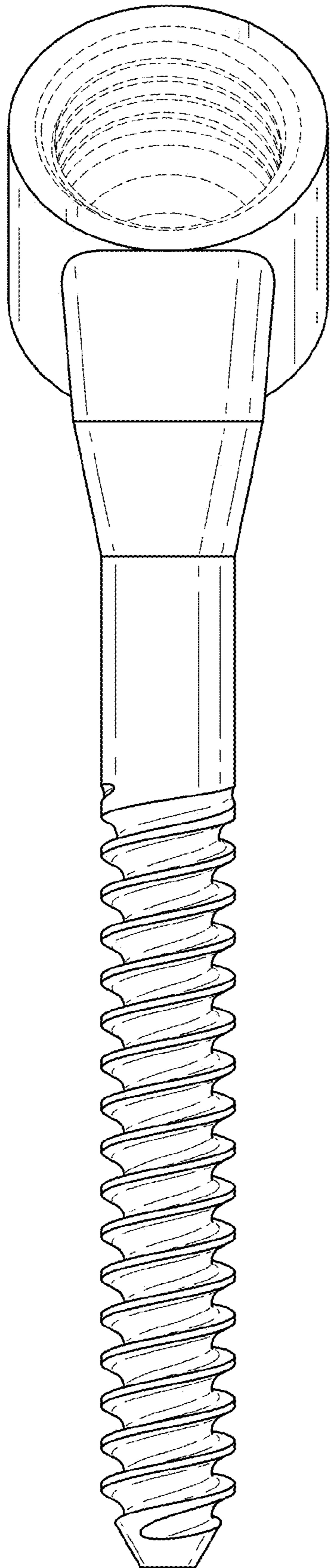


FIG. 5

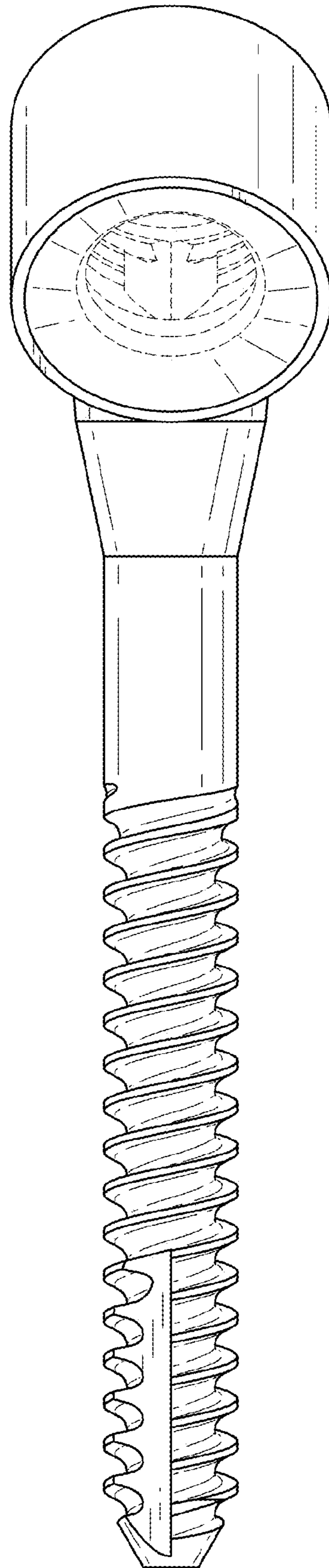


FIG. 6

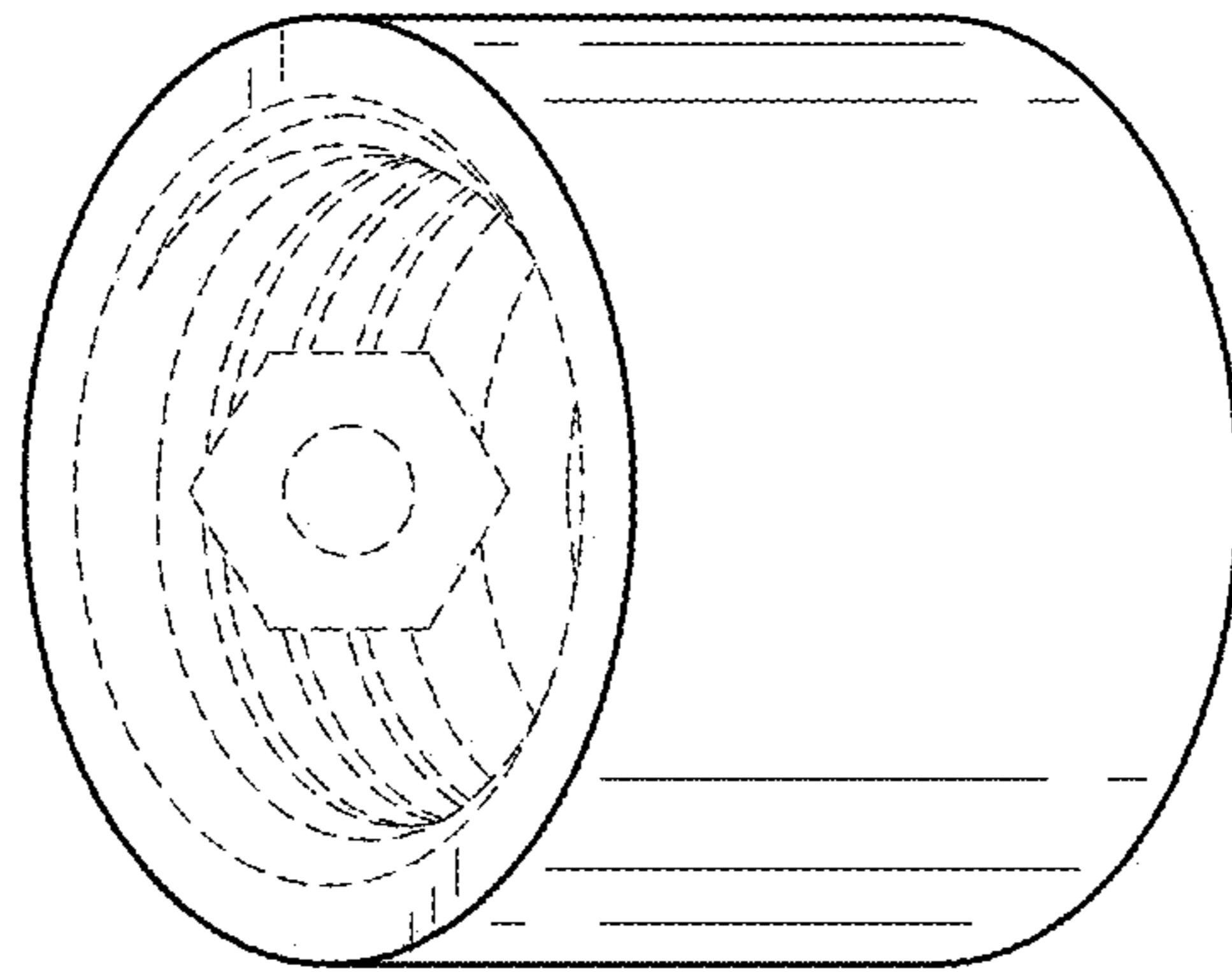


FIG. 7

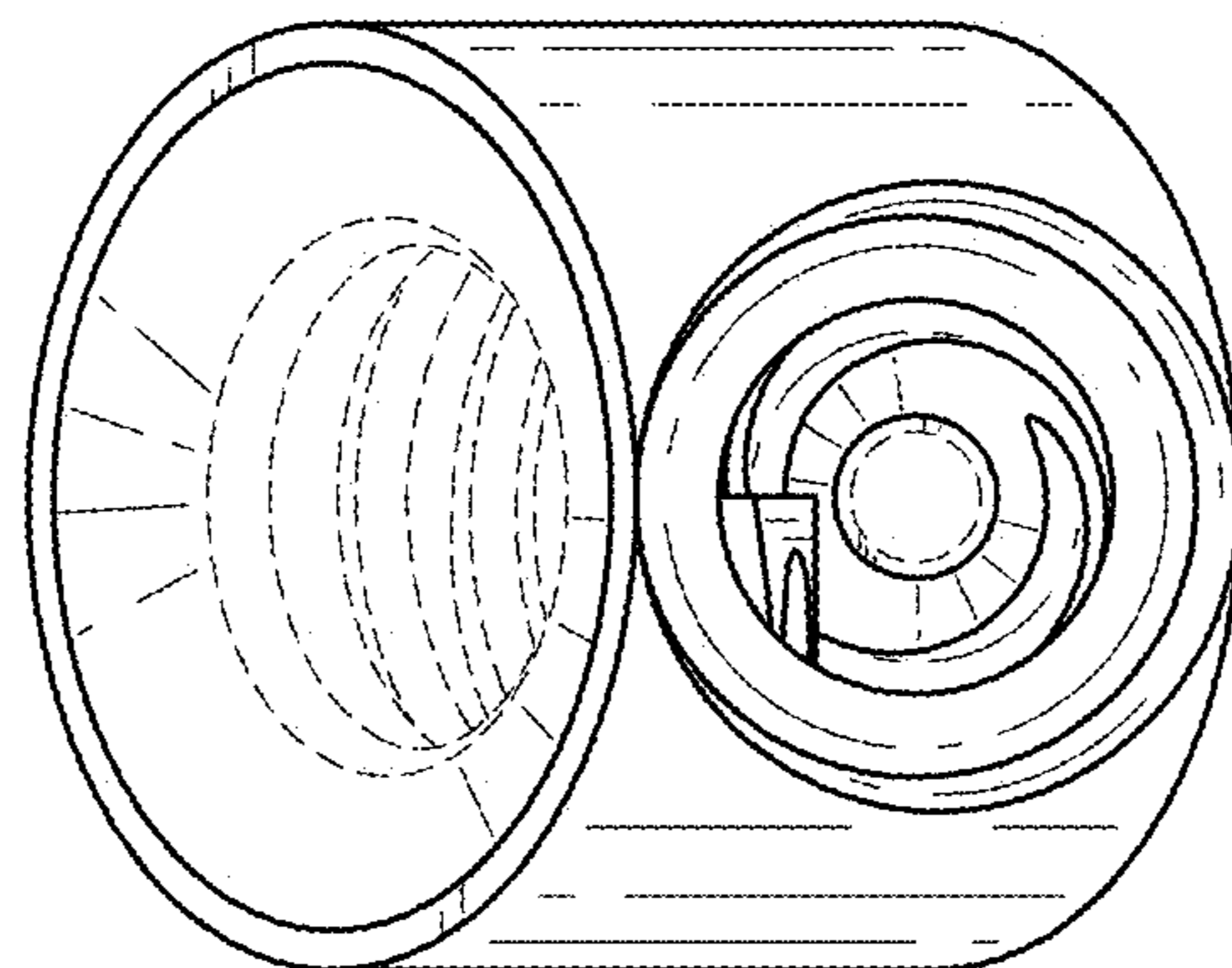


FIG. 8



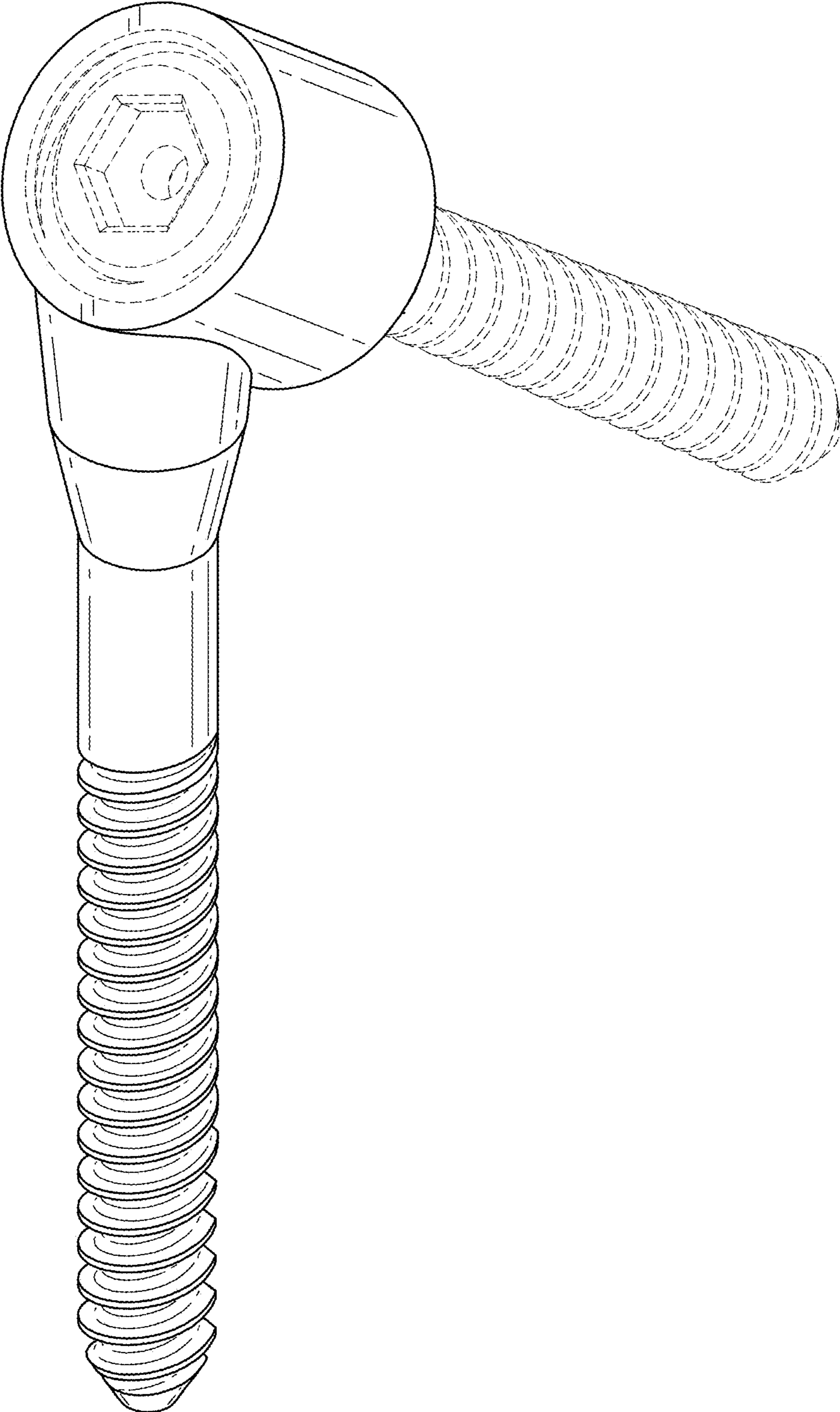


FIG. 9



UNITED STATES PATENT AND TRADEMARK OFFICE  
**CERTIFICATE OF CORRECTION**

PATENT NO. : D912,821 S  
APPLICATION NO. : 29/720522  
DATED : March 9, 2021  
INVENTOR(S) : Serbousek et al.

Page 1 of 1

It is certified that error appears in the above-identified patent and that said Letters Patent is hereby corrected as shown below:

On the Title Page

In the Description (57): Insert -- FIG. 1 is a top, front perspective view of the **HALO SCREW IMPLANT** comprising the new design; --

Signed and Sealed this  
Twentieth Day of April, 2021



Drew Hirshfeld  
*Performing the Functions and Duties of the  
Under Secretary of Commerce for Intellectual Property and  
Director of the United States Patent and Trademark Office*