



US00D912820S

(12) **United States Design Patent** (10) **Patent No.:** **US D912,820 S**  
**Tran et al.** (45) **Date of Patent:** **\*\* Mar. 9, 2021**

(54) **SPINAL IMPLANT**

(71) Applicant: **Legion Innovations, LLC**, Federal Way, WA (US)

(72) Inventors: **Hoan Phan Tran**, Yakima, WA (US);  
**Steve Jacobson**, DuPont, WA (US);  
**Bernard Viray**, Lacey, WA (US)

(73) Assignee: **Legion Innovations, LLC**, Federal Way, WA (US)

(\*\*) Term: **15 Years**

(21) Appl. No.: **29/711,534**

(22) Filed: **Oct. 31, 2019**

(51) **LOC (13) Cl.** ..... **24-03**

(52) **U.S. Cl.**  
USPC ..... **D24/155**

(58) **Field of Classification Search**  
USPC ..... D2/896, 902, 905, 906, 907, 908, 919,  
D2/920, 921, 922, 923, 946, 947, 948,  
D2/949, 950, 951, 952, 953, 954, 960,  
D2/968, 980, 983; D8/349, 382, 387, 47,  
D8/388, 391, 392, 393, 394, 395, 396,  
D8/397, 398, 399, 721; D24/107, 133,  
D24/141, 143, 155, 171, 188, 190, 192,  
D24/213, 215

CPC . A61B 17/151; A61B 17/154; A61B 17/8095;  
A61B 17/7058; A61B 17/58; A61F 2/00;  
A61F 2/0009; A61F 2/0022; A61F  
2/0063; A61F 2/0077; A61F 2002/0081;  
A61F 2002/0086; A61F 2002/009; A61F  
2002/0091; A61F 2/28; A61F 2/30; A61F  
2002/30108; A61F 2002/30112; A61F  
2002/30125; A61F 2002/30151; A61F  
2002/30153; A61F 2002/30154; A61F  
2002/30158; A61F 2002/30199; A61F  
2002/30224; A61F 2002/30263; A61F  
2002/30266; A61F 2002/30281; A61F  
2/38; A61F 2/42; A61F

(Continued)

(56) **References Cited**

U.S. PATENT DOCUMENTS

D674,092 S \* 1/2013 Lovell ..... D24/155  
D721,808 S \* 1/2015 Oi ..... D24/155

(Continued)

OTHER PUBLICATIONS

Business Wire, "RTI Surgical Announces Commercial Launch of Fortilink", first available Jun. 12, 2018. (<https://www.businesswire.com/news/home/20180612005751/en/RTI-Surgical%2%AE-Announces-Commercial-Launch-of-Fortilink%2%AE-TS-and-L-IBF-Systems-with-TETRAfuse%2%AE%A03D-Technology>) (Year: 2018).\*

(Continued)

*Primary Examiner* — April Rivas

*Assistant Examiner* — Justin A Johnson

(74) *Attorney, Agent, or Firm* — Seed Intellectual Property Law Group LLP

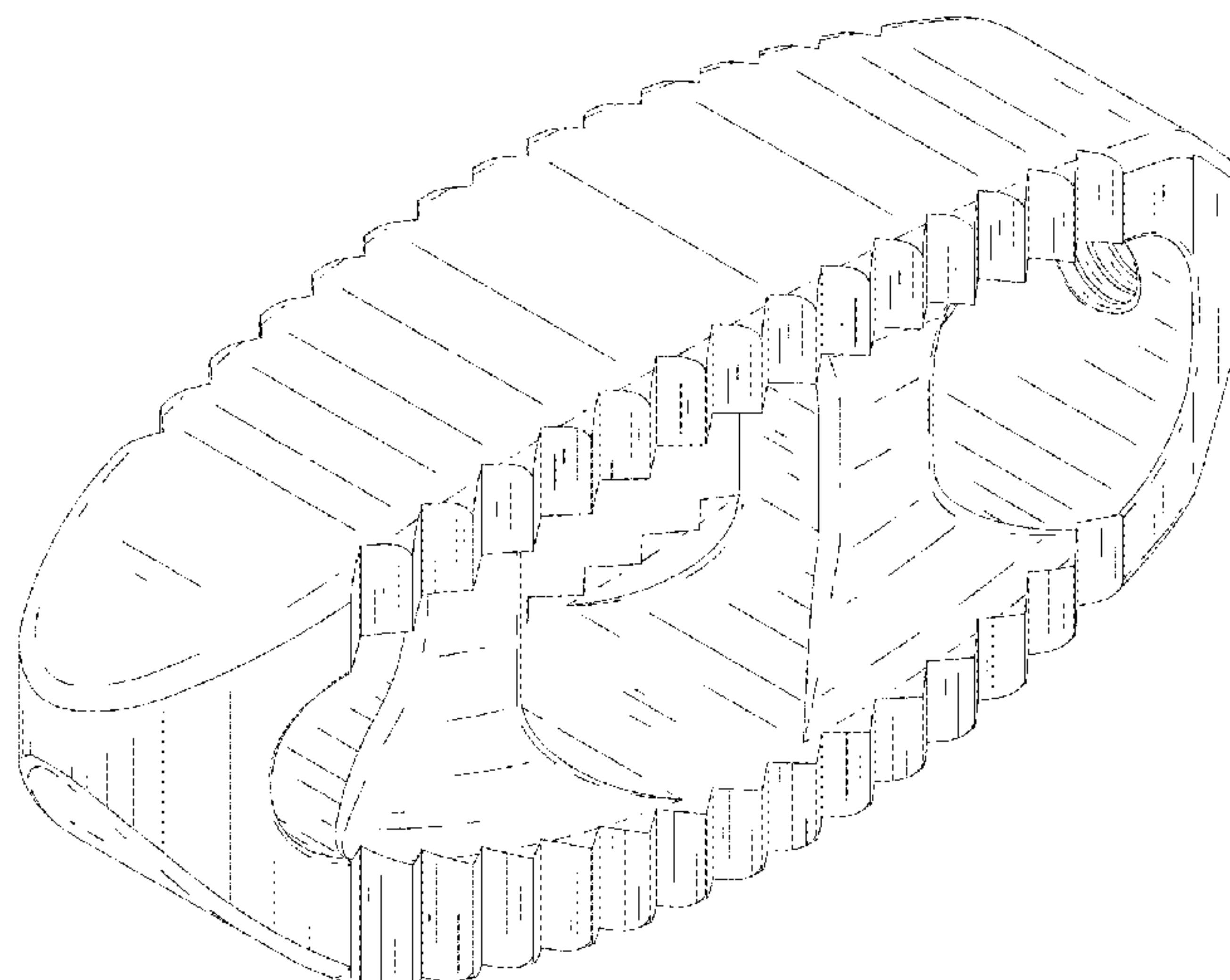
(57) **CLAIM**

The ornamental design for a spinal implant, as shown and described.

**DESCRIPTION**

FIG. 1 is a top, right, front isometric projection of a spinal implant showing our new design;  
FIG. 2 is a front elevation view of the spinal implant of FIG. 1;  
FIG. 3 is a rear elevation view of the spinal implant of FIG. 1;  
FIG. 4 is a left side elevation view of the spinal implant of FIG. 1;  
FIG. 5 is a right side elevation view of the spinal implant of FIG. 1;  
FIG. 6 is a top plan view of the spinal implant of FIG. 1; and,  
FIG. 7 is a bottom plan view of the spinal implant of FIG. 1.

**1 Claim, 5 Drawing Sheets**



(58) **Field of Classification Search**

CPC ..... 2/4225; A61F 2/44; A61F 2/4405; A61F  
2/441; A61F 2002/4415; A61F 2/442;  
A61F 2/4425; A61F 2002/443; A61F  
2/446; A61F 2/447; A61F 2/60; A61F  
2002/6614; A61F 2002/6657; A61F  
2002/665; A61F 2/78; A61L 27/00; A61L  
2430/38; G06T 2207/30052

See application file for complete search history.

(56)

**References Cited**

U.S. PATENT DOCUMENTS

D747,485 S \* 1/2016 Oi ..... D24/155  
D759,248 S \* 6/2016 Oi ..... D24/155  
D770,045 S \* 10/2016 Curran ..... D24/155  
D788,307 S \* 5/2017 Oi ..... D24/155  
D797,934 S \* 9/2017 Pimenta ..... D24/155  
D835,278 S \* 12/2018 Gottlieb ..... D24/155  
D877,909 S \* 3/2020 Linder ..... D24/155

D878,590 S \* 3/2020 Linder ..... D24/155  
D879,961 S \* 3/2020 Linder ..... D24/155  
D890,926 S \* 7/2020 Tyber ..... D24/155  
D896,384 S \* 9/2020 Kapitan ..... D24/155

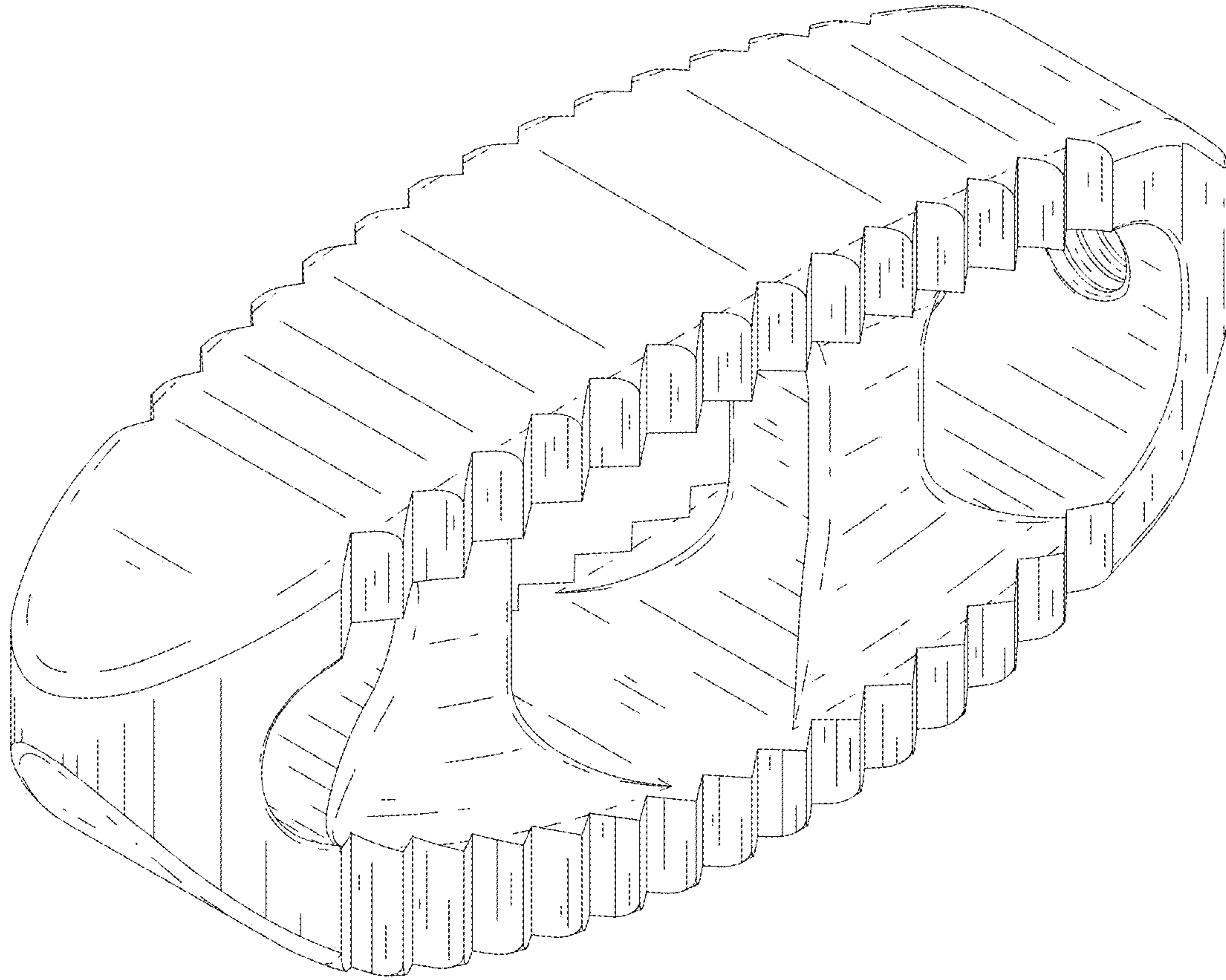
OTHER PUBLICATIONS

Ryortho.com, "Stryker's 3D-Printed Tritanium Cage", first available Aug. 29, 2018. (<https://ryortho.com/breaking/strykers-3d-printed-tritanium-cage-shines-in-study/>) (Year: 2018).\*

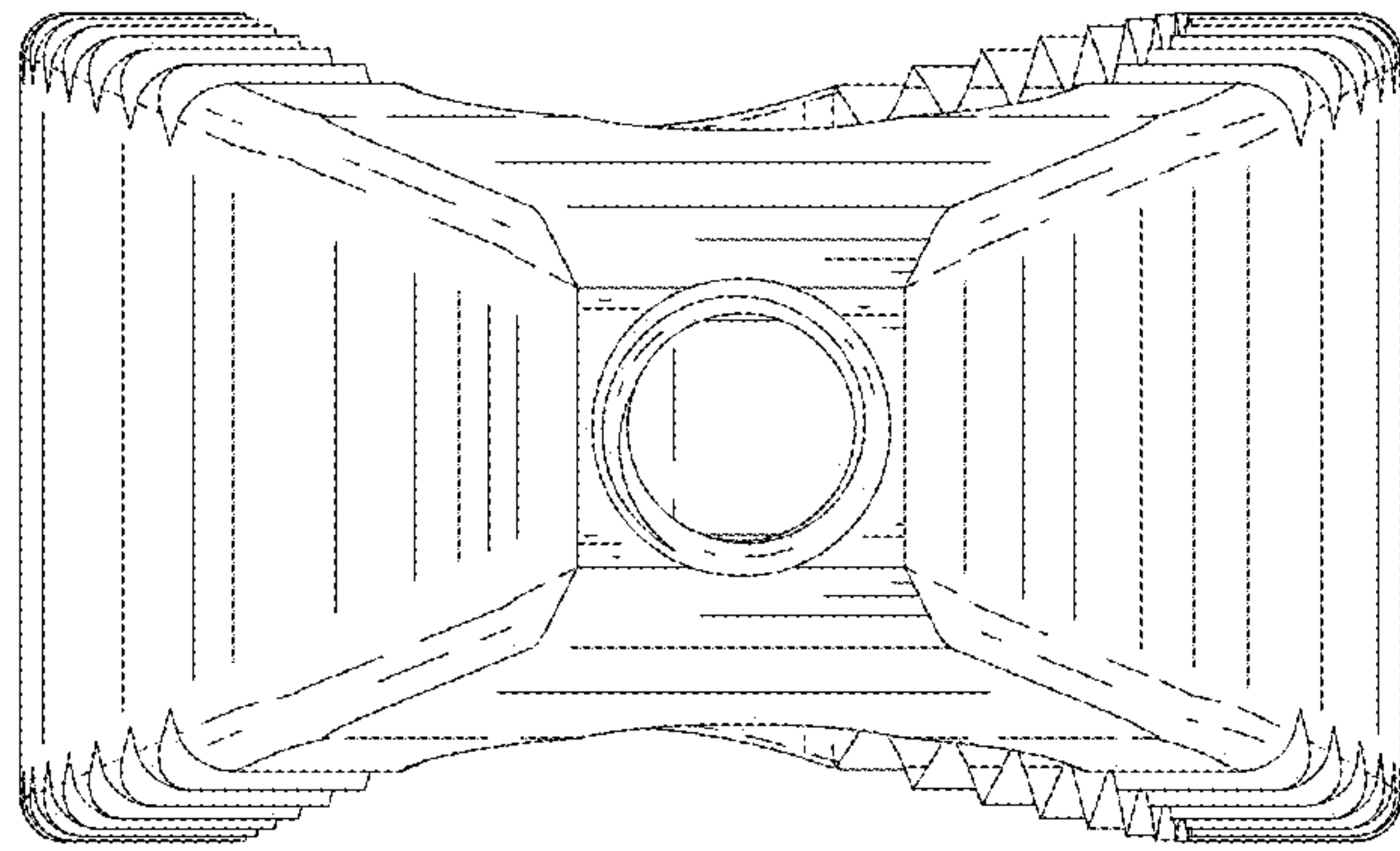
Made-in-China, "Tlif Spinal Peek Cage", first accessed Dec. 14, 2020. (<https://canwellmedical.en.made-in-china.com/product/SCGmFTToJsaVx/China-Tlif-Spinal-Peek-Cage-Lumbar-Interbody-Fusion-Cage.html>) (Year: 2020).\*

Kyocera, "Tesera Lumbar Interbody Fusion PLIF System", first available Sep. 28, 2020. (<https://web.archive.org/web/20200928060823/https://kyocera-medical.com/2017/03/tesera-posterior-lumbar-interbody-fusion-plif-system/>) (Year: 2020).\*

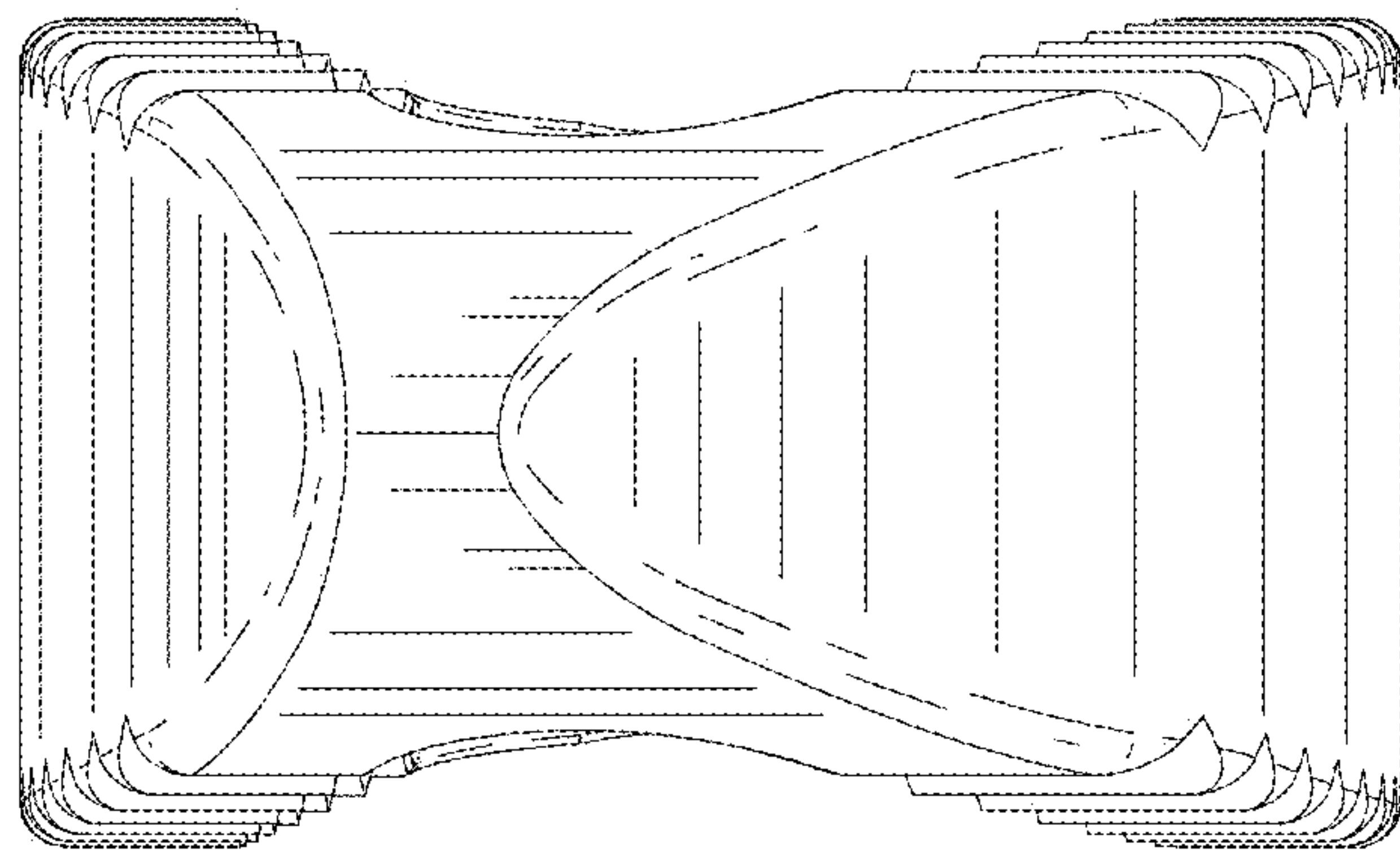
\* cited by examiner



*FIG. 1*

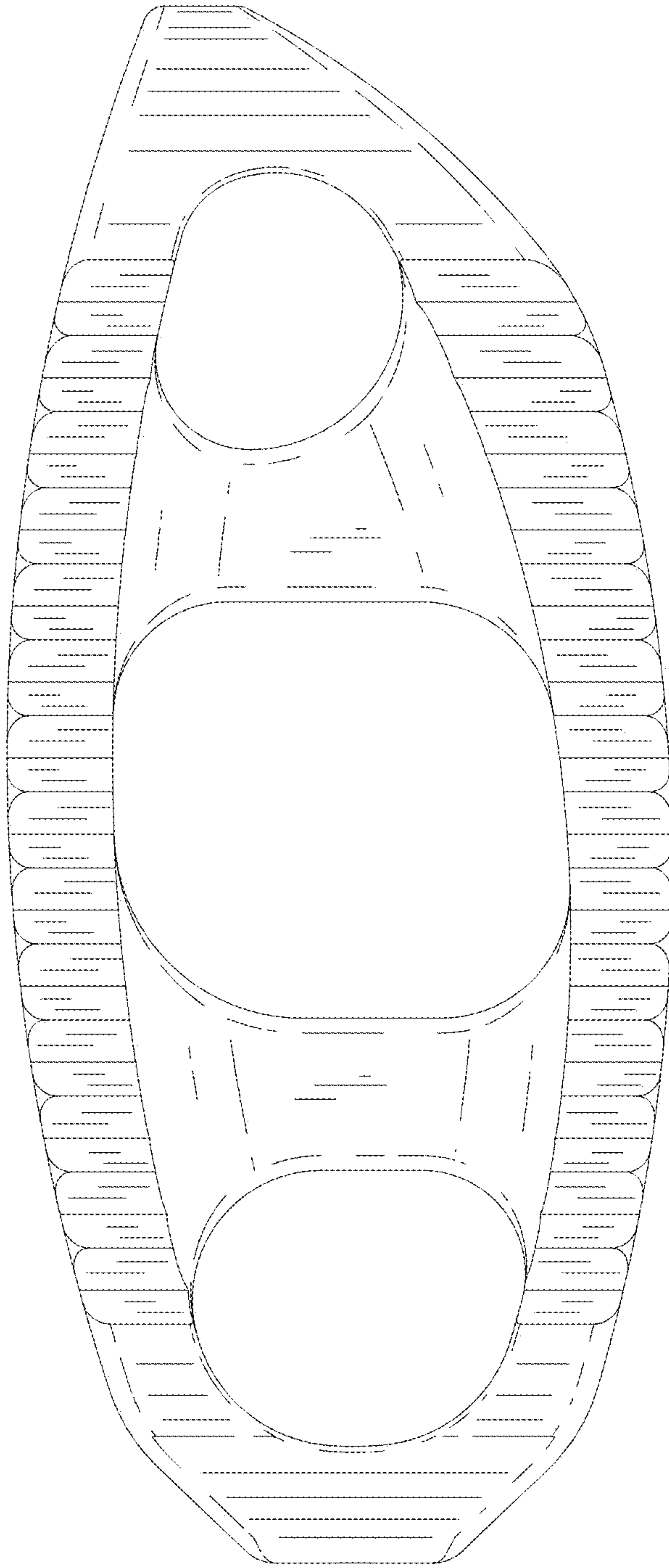


*FIG. 3*

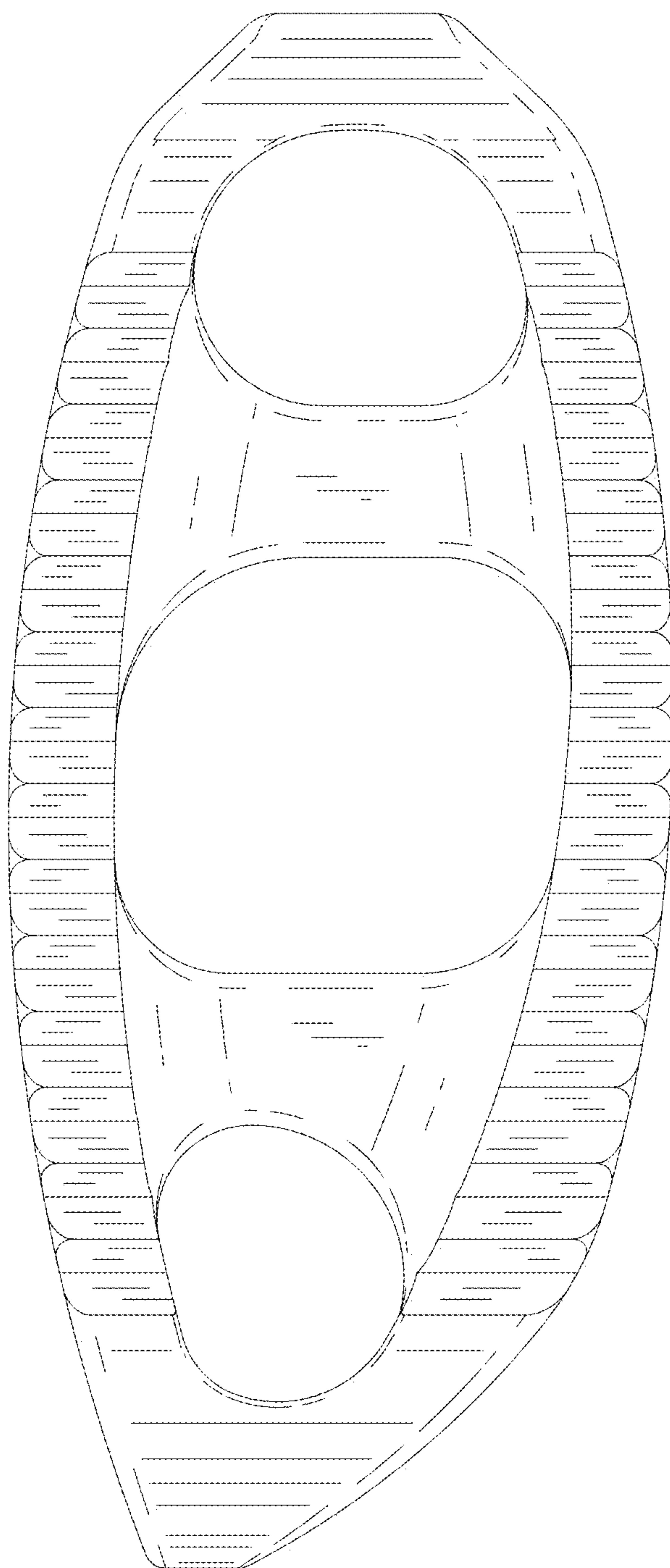


*FIG. 2*

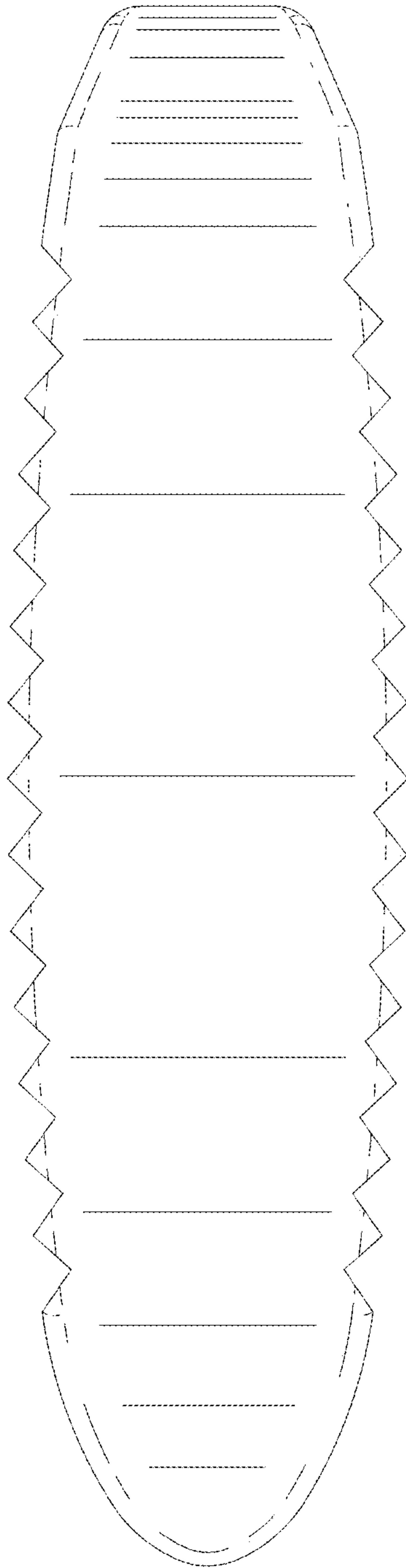




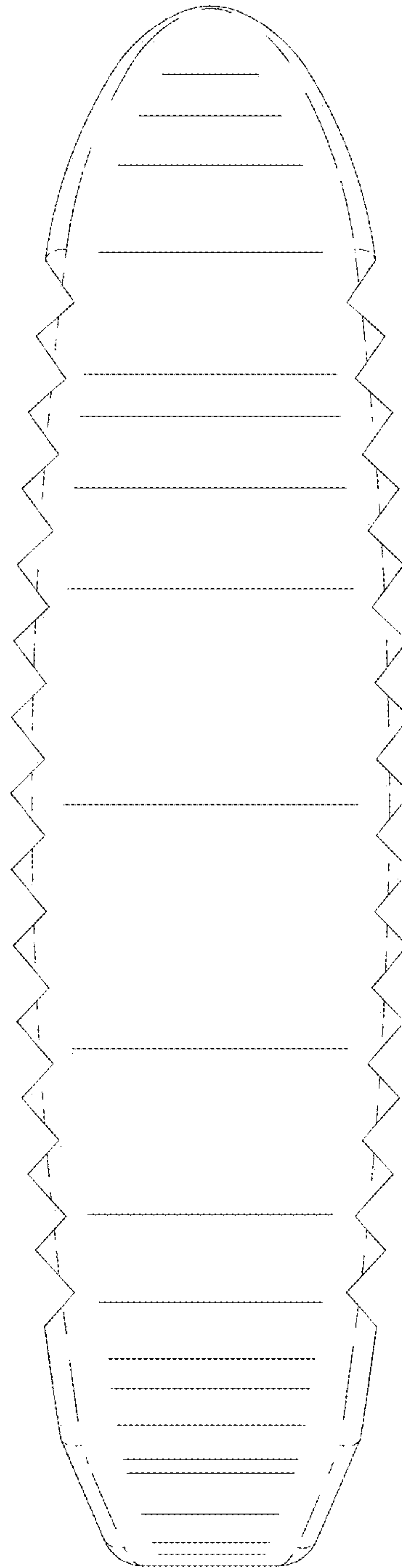
*FIG. 4*



*FIG. 5*



*FIG. 6*



*FIG. 7*