



US00D912813S

(12) **United States Design Patent**
Harder et al.

(10) **Patent No.:** **US D912,813 S**
(45) **Date of Patent:** **** Mar. 9, 2021**

(54) **TISSUE HOOK FOR A CRICOTHYROTOMY**

(71) Applicant: **H&H Medical Corporation,**
Williamsburg, VA (US)

(72) Inventors: **Robert H. B. Harder,** Williamsburg,
VA (US); **Paul X. Harder,**
Williamsburg, VA (US)

(73) Assignee: **H&H MEDICAL CORPORATION,**
Williamsburg, VA (US)

(**) Term: **15 Years**

(21) Appl. No.: **29/712,096**

(22) Filed: **Nov. 5, 2019**

(51) **LOC (13) Cl.** **24-02**

(52) **U.S. Cl.**
USPC **D24/135; D24/133**

(58) **Field of Classification Search**
USPC D24/108, 112, 113, 114, 117, 118, 119,
D24/127, 130, 133, 144, 146, 147, 148,
D24/185, 186, 129, 172, 173, 174, 176,
D24/135; D7/649; D8/20, 14, 17, 98,
D8/99, 100, 105

CPC A61M 5/20; A61M 5/31; A61M 5/178;
A61M 5/3129; A61M 5/3146; A61M
5/3148; A61M 3/00; A61M 16/0472;
A61B 17/3211; A61B 17/320016; A61B
17/3213; A61B 17/0218; A61B
2017/32113; A61B 17/032; A61B
2018/1422; B23P 15/28; B26B 1/08

See application file for complete search history.

(56) **References Cited**

U.S. PATENT DOCUMENTS

1,466,753 A * 9/1923 Raubert A47J 17/04
30/123.5
1,616,653 A * 2/1927 Frasier B21D 1/08
72/458

1,771,207 A * 7/1930 Coscioni A01G 9/122
47/47
2,121,129 A * 6/1938 Malone F16H 7/24
474/130
D127,463 S * 5/1941 Nerbas D24/135
2,474,857 A * 7/1949 Newman A61B 17/02
600/206
2,831,480 A * 4/1958 Milano A61B 1/24
600/242
D275,227 S * 8/1984 Garner, Jr. D24/135
D276,276 S * 11/1984 Bankier D24/147
D297,565 S * 9/1988 Hamilton D24/147
D306,207 S * 2/1990 Hannan D24/149
4,904,183 A * 2/1990 Hannan A61C 7/02
433/3

(Continued)

OTHER PUBLICATIONS

Surgical Tracheal Hook, [site visited Oct. 29, 2020]. Available from
Internet. URL: <https://www.ebay.com/i/233364749449?chn=ps> (Year:
2020).*

(Continued)

Primary Examiner — T Chase Nelson

Assistant Examiner — Kelly L Gross

(74) *Attorney, Agent, or Firm* — Nixon & Vanderhye P.C.

(57) **CLAIM**

The ornamental design for a tissue hook for a cricothy-
rotomy, as shown and described.

DESCRIPTION

FIG. 1 is a front perspective view of a tissue hook for a
cricothyrotomy, in accordance with our new design;

FIG. 2 is a top plan view thereof;

FIG. 3 is a bottom plan view thereof;

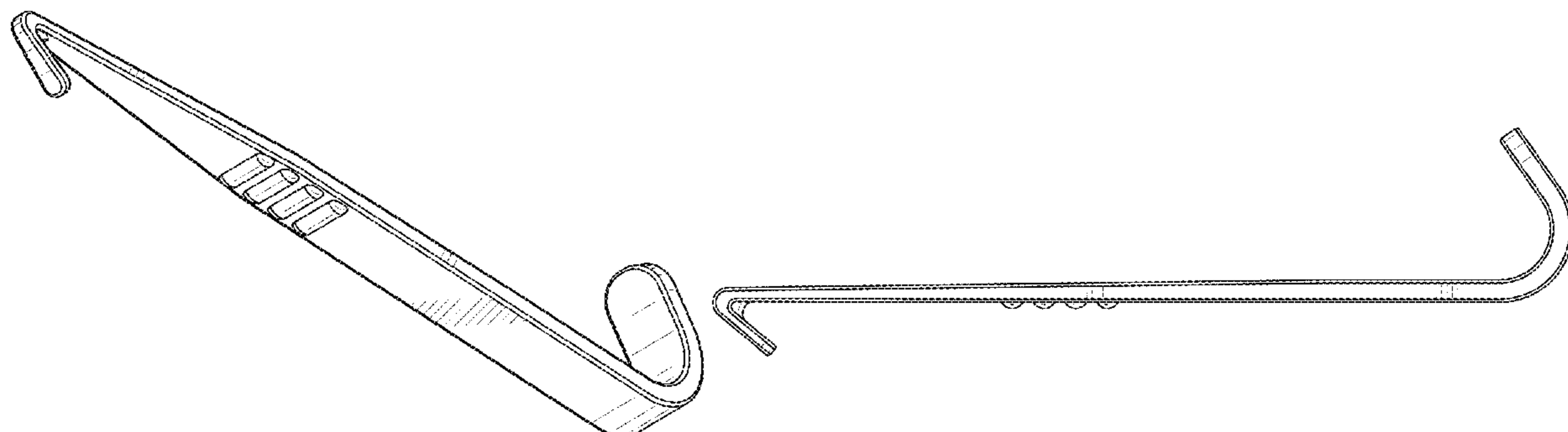
FIG. 4 is a left side view thereof;

FIG. 5 is a right side view thereof;

FIG. 6 is a front view thereof; and,

FIG. 7 is a rear view thereof.

1 Claim, 2 Drawing Sheets



(56)

References Cited

U.S. PATENT DOCUMENTS

4,975,051 A * 12/1990 Kargas A61C 7/02
433/3
D340,981 S * 11/1993 Hood D24/133
5,743,853 A * 4/1998 Lauderdale A61B 17/02
600/210
5,846,192 A * 12/1998 Teixido A61B 17/02
600/210
5,964,697 A * 10/1999 Fowler, Jr. A61B 17/0293
600/210
6,117,072 A * 9/2000 Fowler, Jr. A61B 17/0293
600/210
D436,174 S * 1/2001 Komamura D24/152
D442,688 S * 5/2001 DeWeerd D24/133
D458,412 S * 6/2002 Bojar D28/65
D461,894 S * 8/2002 Jansheski, Jr. D24/152
D463,626 S * 9/2002 Huang D28/65
D464,731 S * 10/2002 Bryant D24/155
6,491,691 B1 * 12/2002 Morley A61B 18/14
604/21
D469,577 S * 1/2003 Latone D24/152
D496,132 S * 9/2004 Desai D28/65
D497,036 S * 10/2004 La Magna D28/57
D522,140 S * 5/2006 Stalcup D24/135
D523,142 S * 6/2006 Stalcup D24/135
D539,427 S * 3/2007 Nicosisis D24/152
D571,468 S * 6/2008 Wu D24/133
D573,309 S * 7/2008 Wittke-Kothe D24/149
D586,914 S * 2/2009 Dasilva D24/135
D589,145 S * 3/2009 Miller D24/135
D628,291 S * 11/2010 Palmer D24/135
8,062,030 B2 * 11/2011 Saubers A61C 7/02
433/3
D669,171 S * 10/2012 Boedeker D24/135
D678,515 S * 3/2013 Enriquez D24/119
D701,039 S * 3/2014 Sasur D3/18
D715,437 S * 10/2014 Busch D24/152
D724,207 S * 3/2015 Sutherland G02B 6/35
D24/135
D726,318 S * 4/2015 Trinh D24/152
D733,304 S * 6/2015 De Clerck A61B 17/02
D24/156
D741,481 S * 10/2015 Darian A61C 7/02
D24/146

D772,373 S * 11/2016 Calbi D22/199
D776,274 S * 1/2017 Xue D24/135
D784,531 S * 4/2017 Malcolm D24/135
D795,663 S * 8/2017 Calman A61B 1/24
D8/14
D803,397 S * 11/2017 Malcolm D24/135
D814,031 S * 3/2018 Radpour D24/141
D837,377 S * 1/2019 Steen D24/154
D850,619 S * 6/2019 Saubers G02B 6/35
D24/154
10,307,223 B1 * 6/2019 Aronson A61C 7/023
D853,810 S * 7/2019 Orange D8/41
D859,653 S * 9/2019 Hartson D24/135
10,420,627 B2 * 9/2019 Fatiny A61C 5/00
D865,957 S * 11/2019 Alexander D24/135
D865,958 S * 11/2019 Alexander D24/135
D875,928 S * 2/2020 Zagatsky D24/135
D896,956 S * 9/2020 Harder D24/135
D897,532 S * 9/2020 Patcharakitti D24/146
2005/0228233 A1 * 10/2005 Ritland A61B 17/025
600/210
2007/0178419 A1 * 8/2007 Berman A61C 7/02
433/3
2008/0021283 A1 * 1/2008 Kuranda A61B 90/36
600/201
2009/0204148 A1 * 8/2009 Lenke A61B 17/02
606/246
2014/0128684 A1 * 5/2014 Carlson A61B 17/02
600/217
2015/0011836 A1 * 1/2015 Foulon A61B 1/32
600/209
2016/0151058 A1 * 6/2016 Ferro A61B 17/02
600/215
2019/0015089 A1 * 1/2019 Rosenbaum A61B 17/025
2020/0289104 A1 * 9/2020 Delcore A61B 17/02

OTHER PUBLICATIONS

Prometheus Tracheal Hook, [site visited Oct. 29, 2020]. Available from Internet. URL: <https://www.prometheusmedical.co.uk/equipment/prometheus-equipment-airway-breathing-miscellaneous/prometheus-tracheal-hook> (Year: 2020).*

* cited by examiner

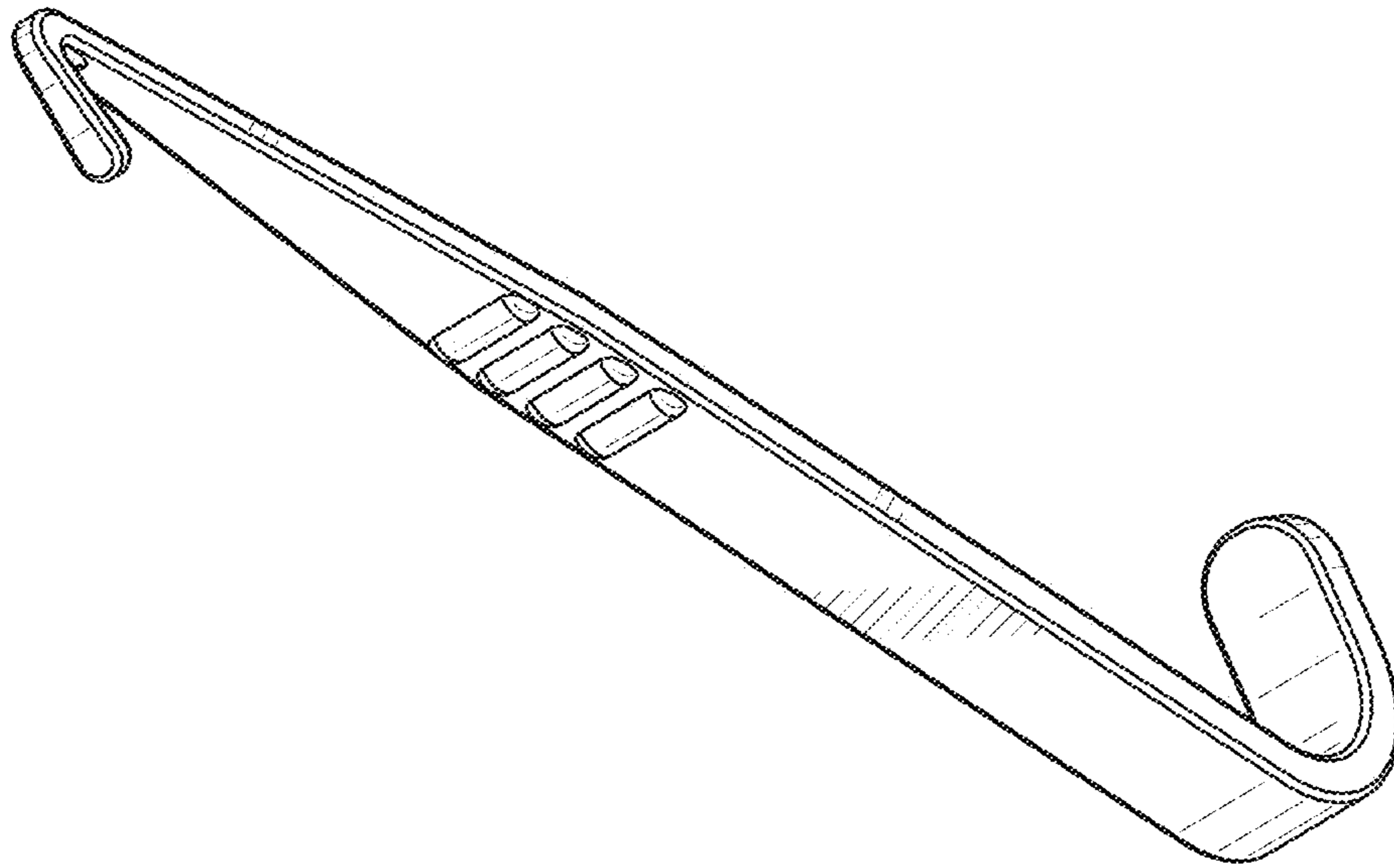


FIG. 1

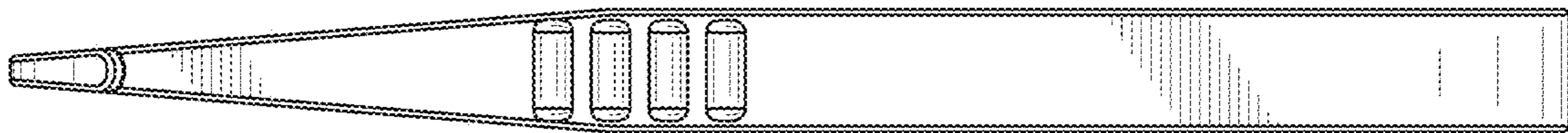


FIG. 2



FIG. 3

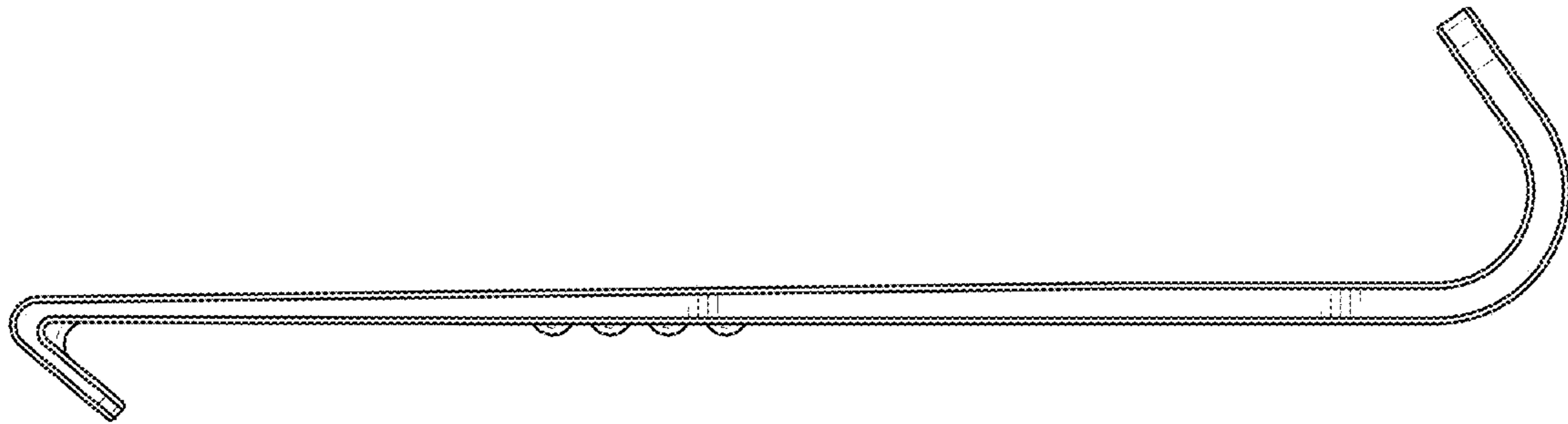


FIG. 4

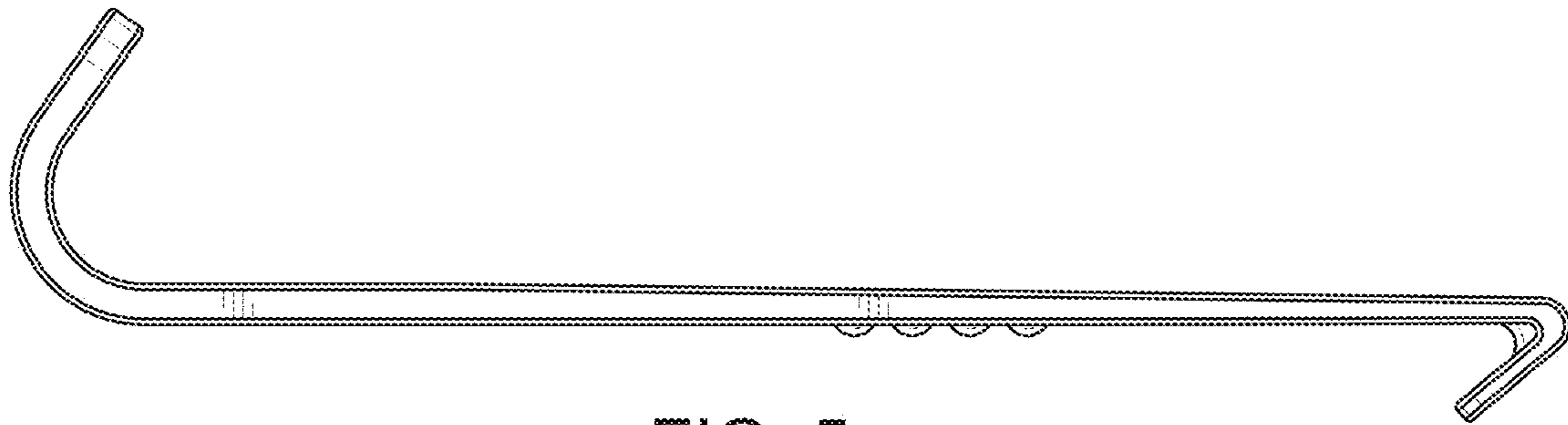


FIG. 5

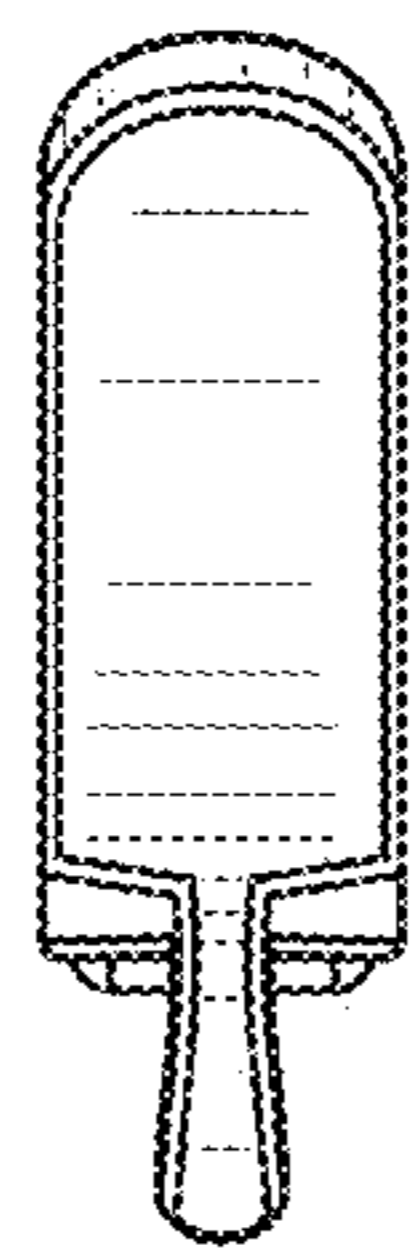


FIG. 6

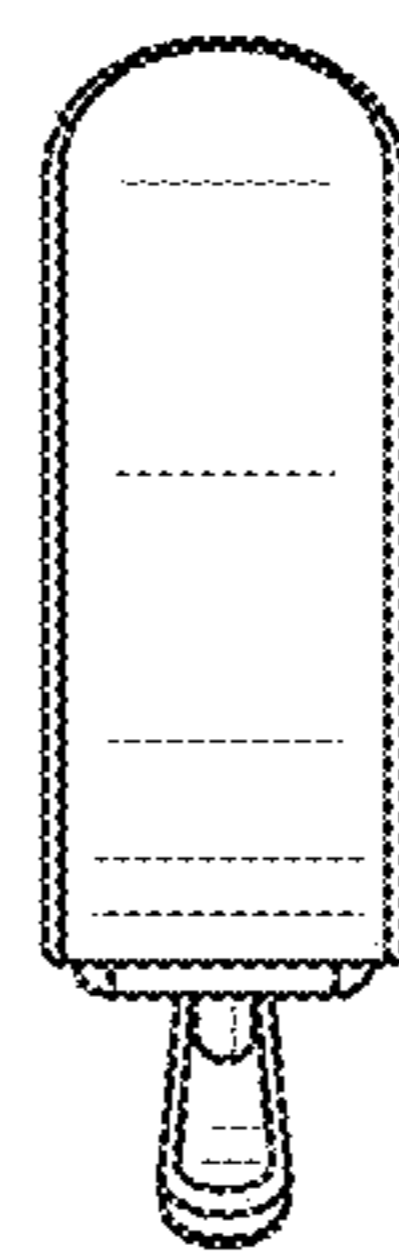


FIG. 7