



US00D912811S

(12) **United States Design Patent** (10) **Patent No.:** **US D912,811 S**
Gosik-Wolfe et al. (45) **Date of Patent:** **** Mar. 9, 2021**

- (54) **T HANDLE WITH FEMALE CHUCK**
- (71) Applicant: **Shukla Medical**, St. Petersburg, FL (US)
- (72) Inventors: **Adam Gosik-Wolfe**, Tampa, FL (US);
Lindsey Anne Charbonneau, Bay City, MI (US)
- (73) Assignee: **Shukla Medical**, St. Petersburg, FL (US)
- (**) Term: **15 Years**
- (21) Appl. No.: **29/707,687**
- (22) Filed: **Sep. 30, 2019**
- (51) **LOC (13) Cl.** **24-02**
- (52) **U.S. Cl.**
USPC **D24/133**
- (58) **Field of Classification Search**
USPC D24/133; D8/14, 21, 29, 51, 105
CPC B25B 13/48; B25B 13/50; B25B 23/005;
B25B 13/065; A61B 17/7091; A61B 17/7085; A61B 17/7083; A61B 17/7082
See application file for complete search history.

(56) **References Cited**

U.S. PATENT DOCUMENTS

4,227,429	A *	10/1980	Bowers, Jr.	B25B 13/06 81/176.15
4,679,468	A *	7/1987	Gray	B25B 13/48 81/121.1
D306,471	S *	3/1990	Gabbert, Jr.	D21/793
D342,004	S *	12/1993	Wettstein	D8/70
D353,315	S *	12/1994	Romeo	D21/793
D356,016	S *	3/1995	Jewell	D8/21
D359,895	S *	7/1995	Snow	D21/793
D378,655	S *	4/1997	Anderson	D8/70
D409,463	S *	5/1999	McMullin	D8/21

D434,290	S *	11/2000	McMullin	D8/21
6,161,456	A *	12/2000	Langford	B25B 13/48 81/441
6,170,364	B1 *	1/2001	Johnson	B25B 13/48 81/120
6,260,450	B1 *	7/2001	Ragsdale, Jr.	B25B 13/065 81/121.1
2006/0069391	A1 *	3/2006	Jackson	A61B 17/7038 606/62
2018/0333829	A1 *	11/2018	Zimmermann	B25B 13/102
2018/0353224	A1 *	12/2018	Kam	A61B 17/8897

* cited by examiner

Primary Examiner — Philip S Hyder

(74) *Attorney, Agent, or Firm* — Kim IP Law Group LLC

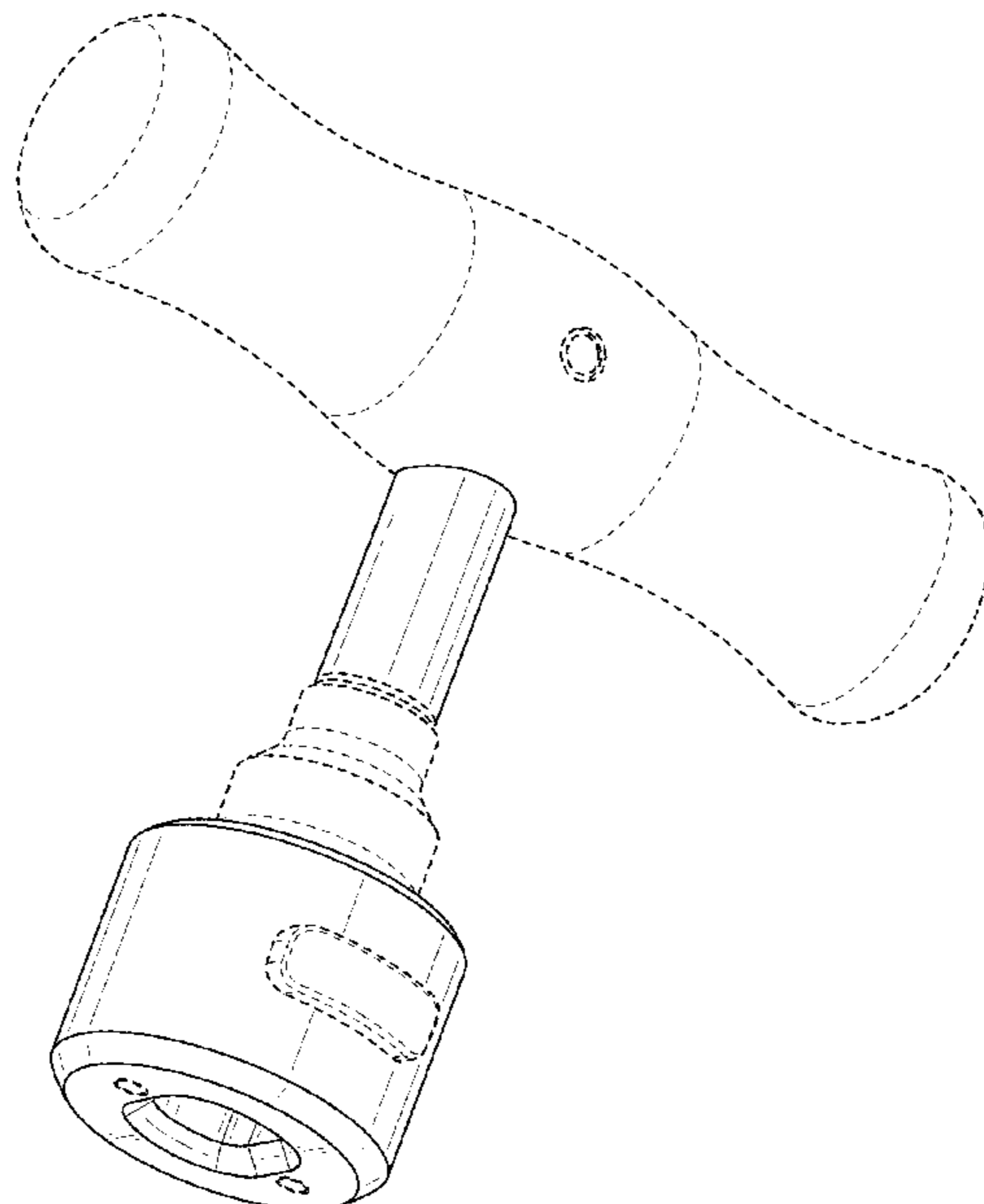
(57) **CLAIM**

The ornamental design for a T handle with female chuck, as shown and described.

DESCRIPTION

FIG. 1 is a perspective view of a T handle with female chuck in accordance with the new design;
 FIG. 2 is a left side view of the T handle with female chuck of FIG. 1;
 FIG. 3 is a right side view of the T handle with female chuck of FIG. 1;
 FIG. 4 is a front view of the T handle with female chuck of FIG. 1;
 FIG. 5 is a rear view of the T handle with female chuck of FIG. 1;
 FIG. 6 is a top view of the T handle with female chuck of FIG. 1; and,
 FIG. 7 is a bottom view of the T handle with female chuck of FIG. 1.
 The broken lines in the figures are directed to portions of the T handle with female chuck that form no part of the claimed design.

1 Claim, 7 Drawing Sheets



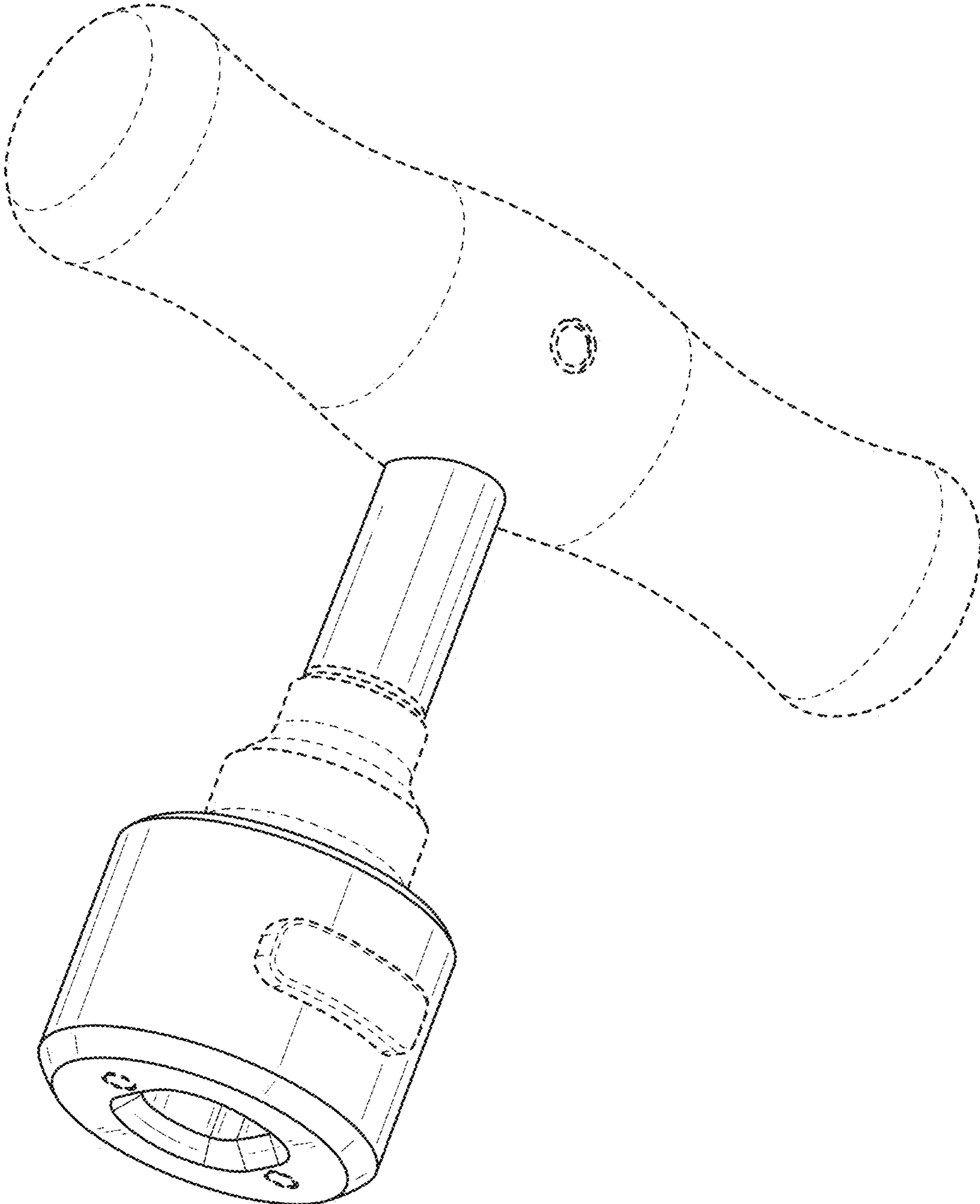


FIG. 1

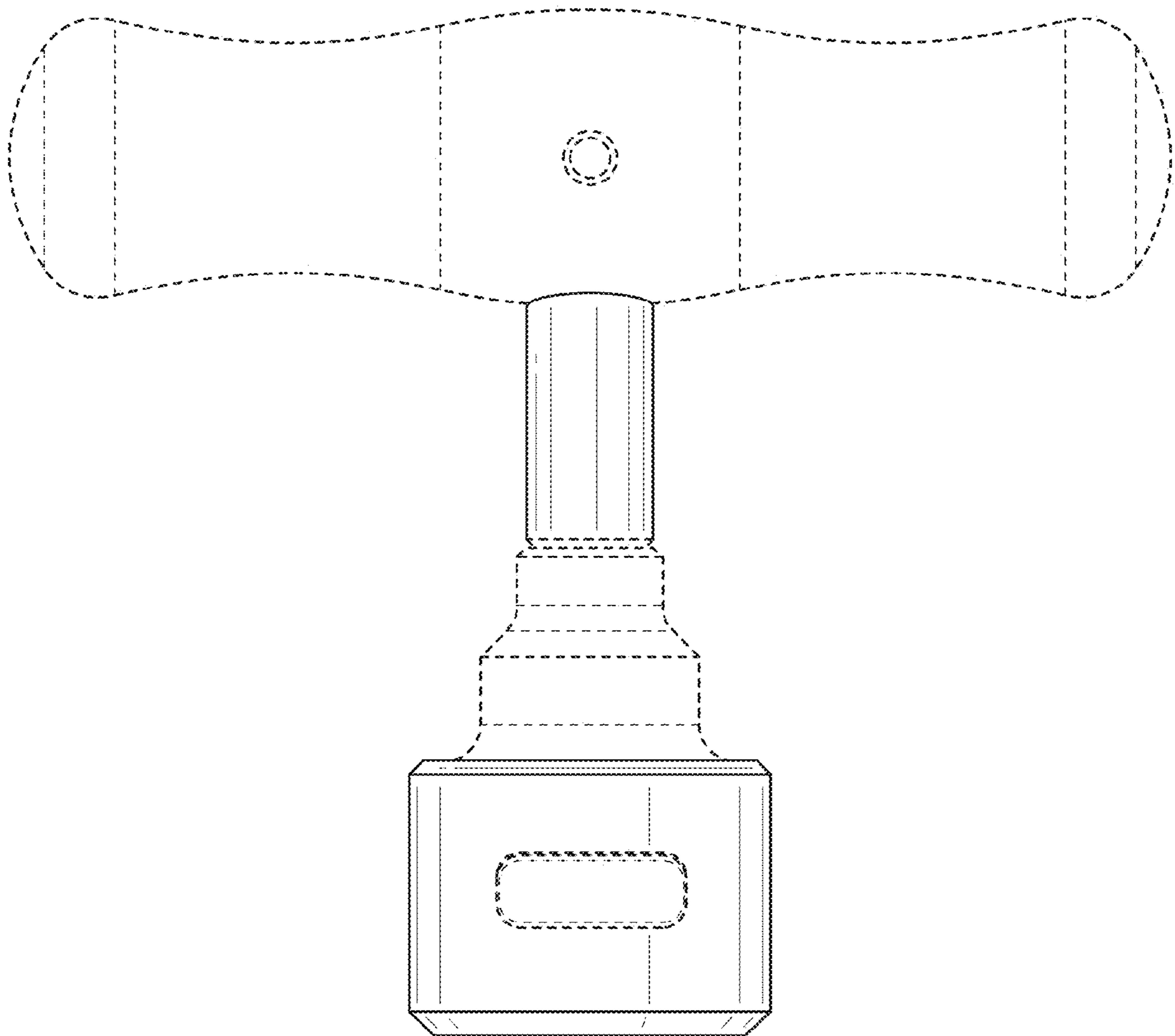


FIG. 2

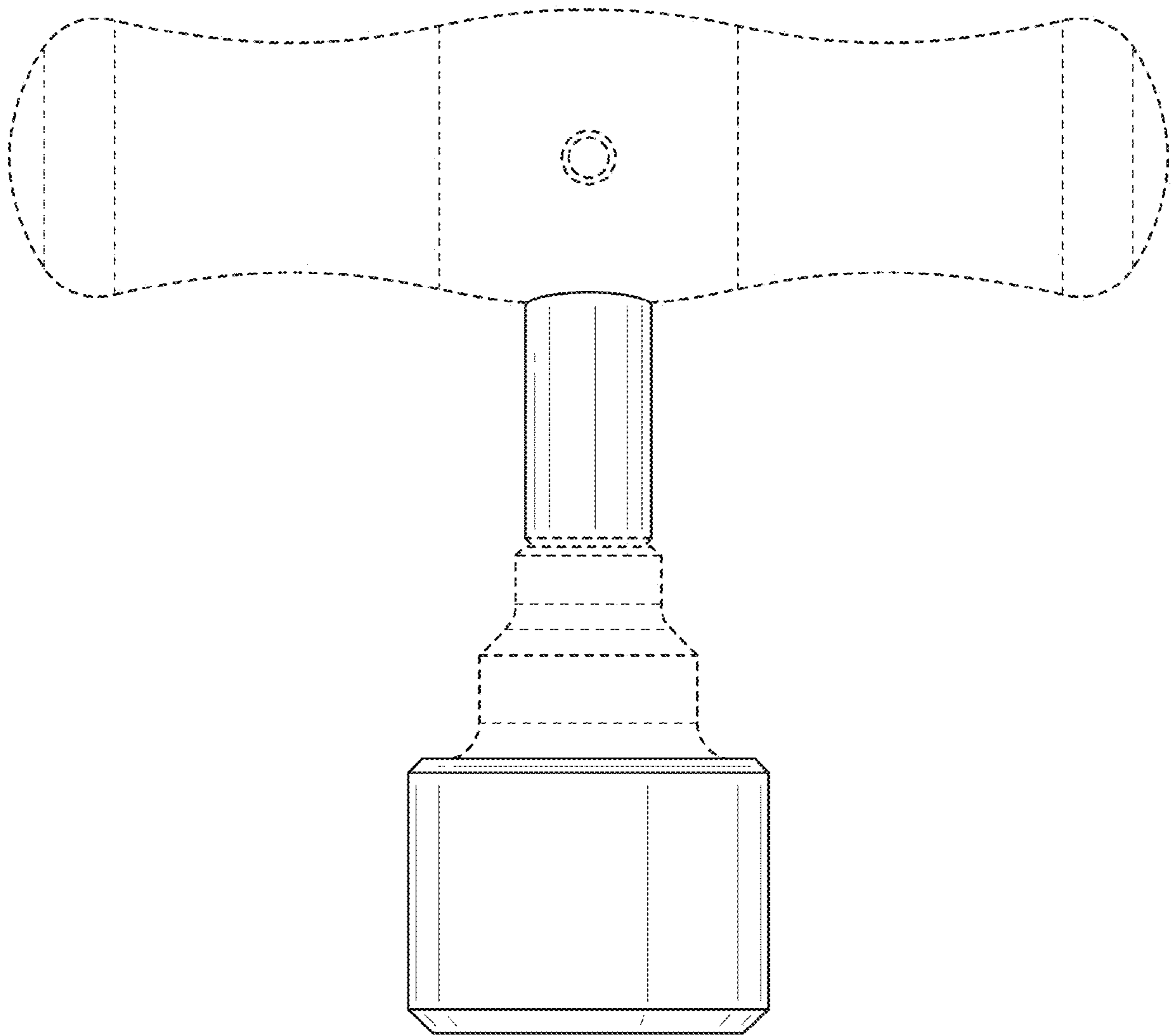


FIG. 3

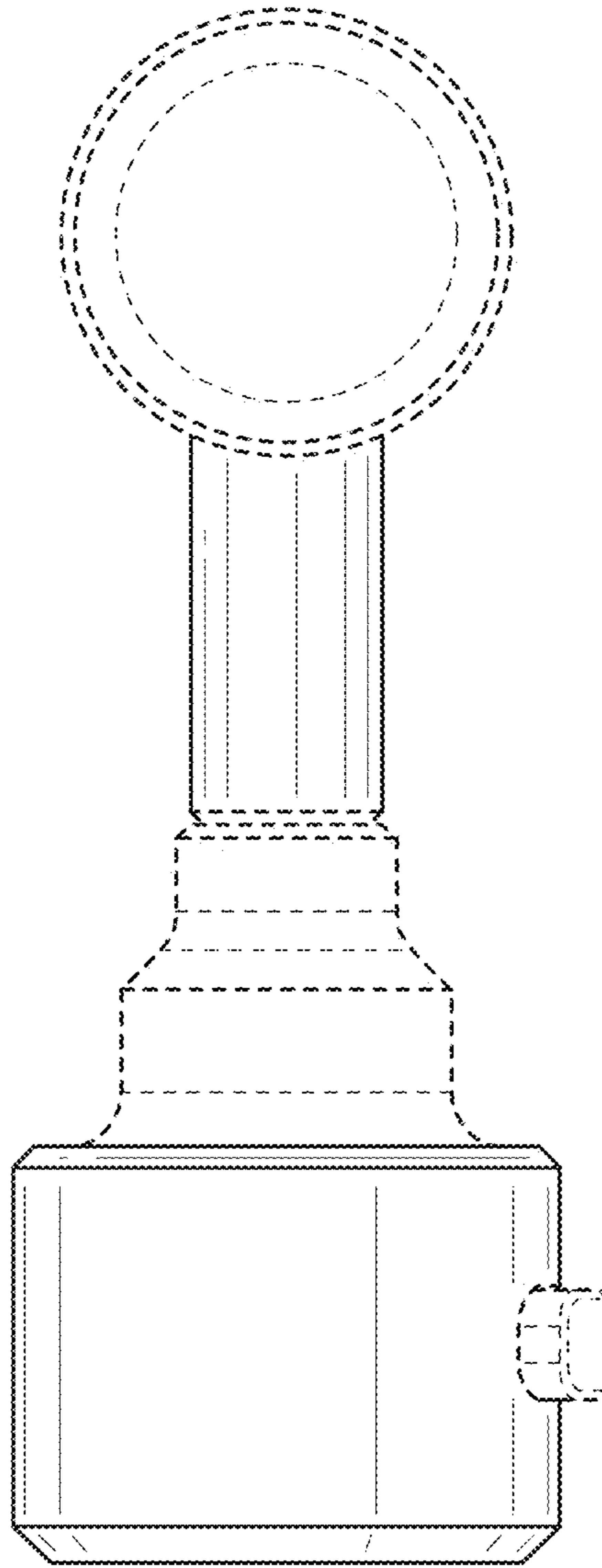


FIG. 4

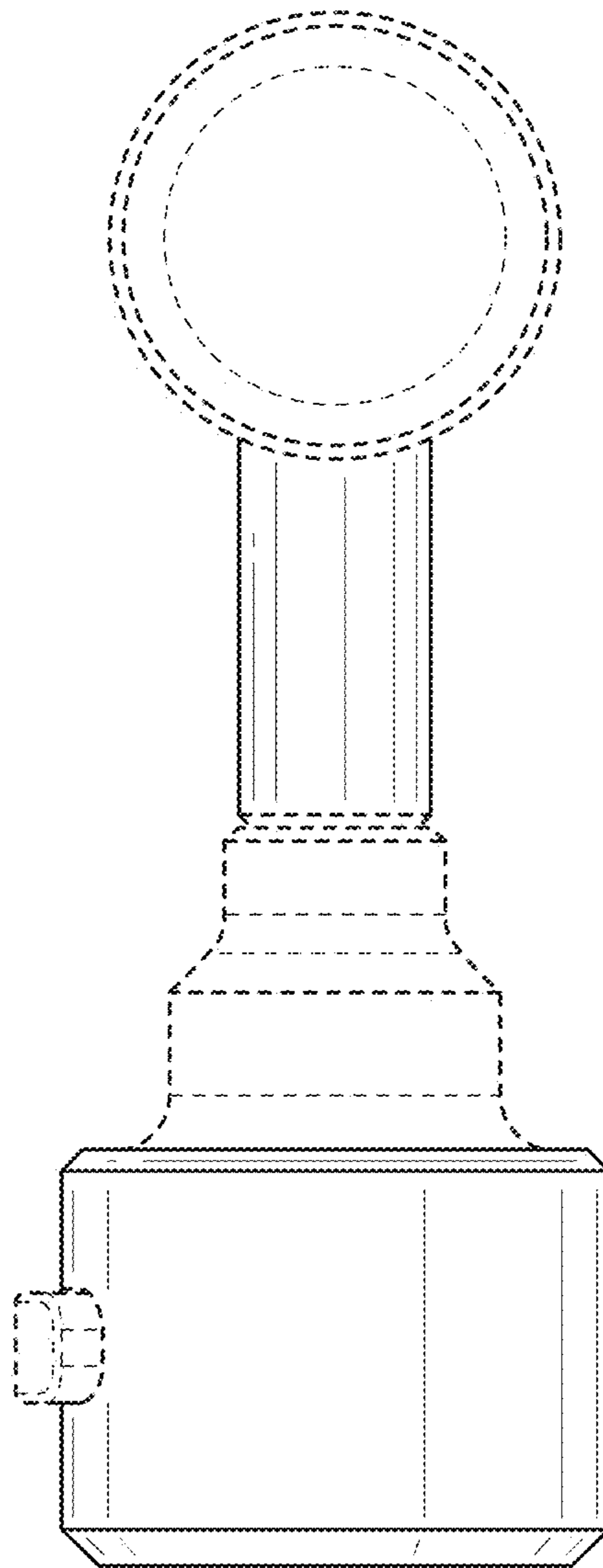


FIG. 5

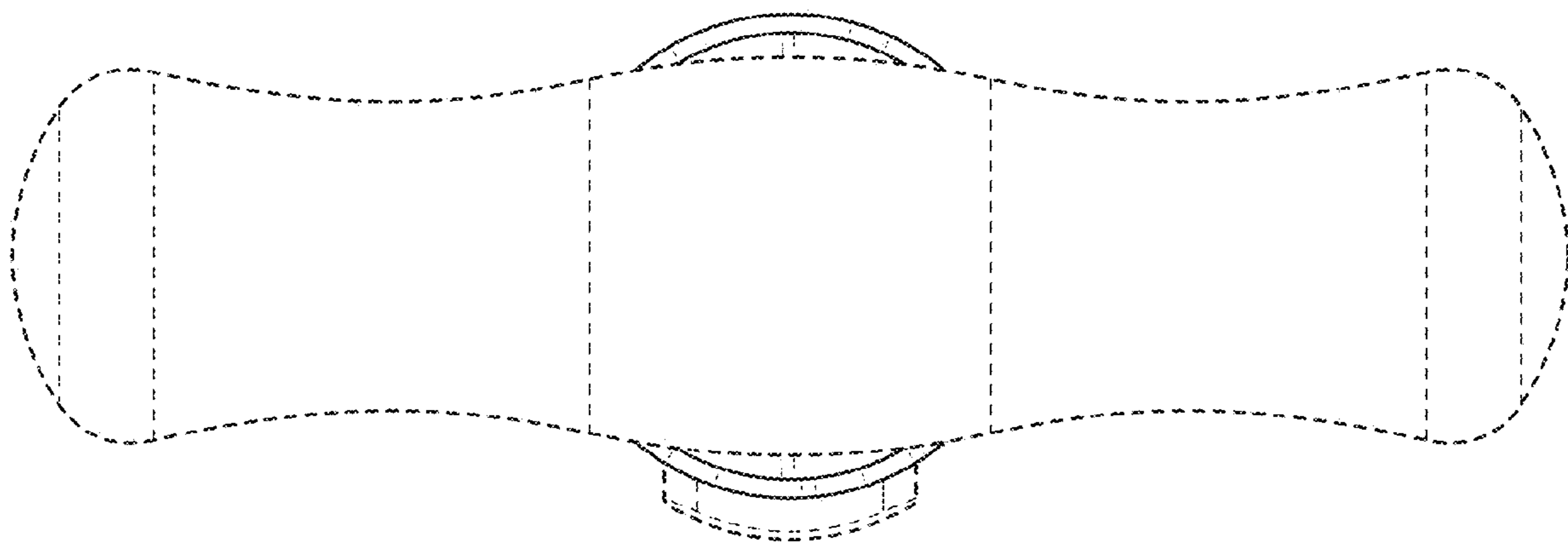


FIG. 6

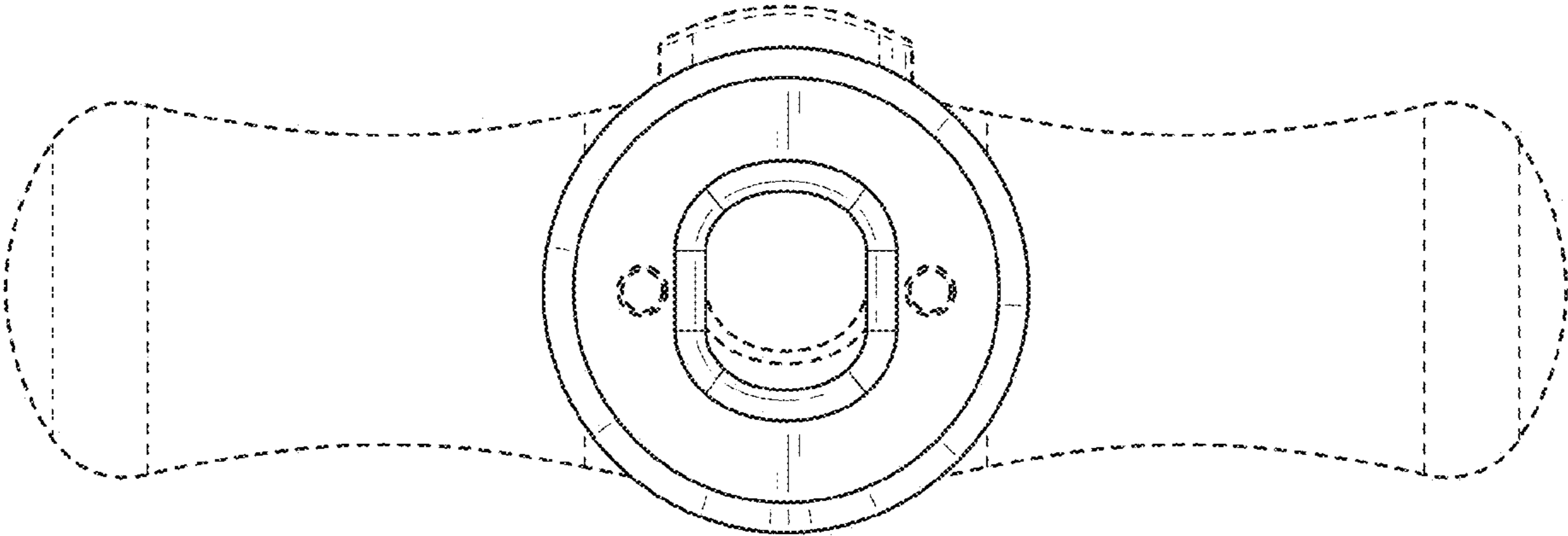


FIG. 7