



US00D912809S

(12) **United States Design Patent** (10) **Patent No.:** **US D912,809 S**
Lee (45) **Date of Patent:** **** Mar. 9, 2021**

(54) **NEEDLE UNIT FOR AUTOMATIC INJECTING DEVICE**

(71) Applicant: **BOMTECH ELECTRONICS Co., Ltd.**, Seoul (KR)

(72) Inventor: **Jong-Dae Lee**, Seoul (KR)

(73) Assignee: **BOMTECH ELECTRONICS Co., Ltd.**, Seoul (KR)

(**) Term: **15 Years**

(21) Appl. No.: **29/683,505**

(22) Filed: **Mar. 13, 2019**

(51) **LOC (13) Cl.** **24-02**

(52) **U.S. Cl.**
USPC **D24/130**

(58) **Field of Classification Search**
USPC D24/127–131, 112–114, 133, 186;
606/181, 185; 604/264, 523–528, 272,
604/187, 158, 164.01–164.11, 181, 184,
604/227; 600/101, 139, 143;
128/200.24, 207.14, 207.15
CPC A61M 5/178; A61M 3/00; A61M 5/20;
A61M 5/31; A61M 5/3146; A61M
5/3129; A61M 5/3148; A61M 5/315
See application file for complete search history.

(56) **References Cited**

U.S. PATENT DOCUMENTS

D269,810 S *	7/1983	Mace	D24/186
D357,736 S *	4/1995	Dye	D23/260
D363,988 S *	11/1995	Dye	D23/260
D364,460 S *	11/1995	Dye	D24/129
D364,680 S *	11/1995	Dye	D24/129
D370,728 S *	6/1996	Edgar	D24/121
7,691,077 B2 *	4/2010	Kralick	A61M 27/006 604/9
8,137,736 B2 *	3/2012	Zhu	B81C 1/00476 427/2.3
D851,760 S *	6/2019	Lee	D24/129

D860,471 S *	9/2019	Hinojosa	D24/224
2007/0038181 A1 *	2/2007	Melamud	A61B 17/3478 604/158
2010/0186353 A1 *	7/2010	Ackermann	F02M 35/0203 55/321

(Continued)

Primary Examiner — Nathan M Johnston

(74) *Attorney, Agent, or Firm* — Osha Bergman Watanabe & Burton LLP

(57) **CLAIM**

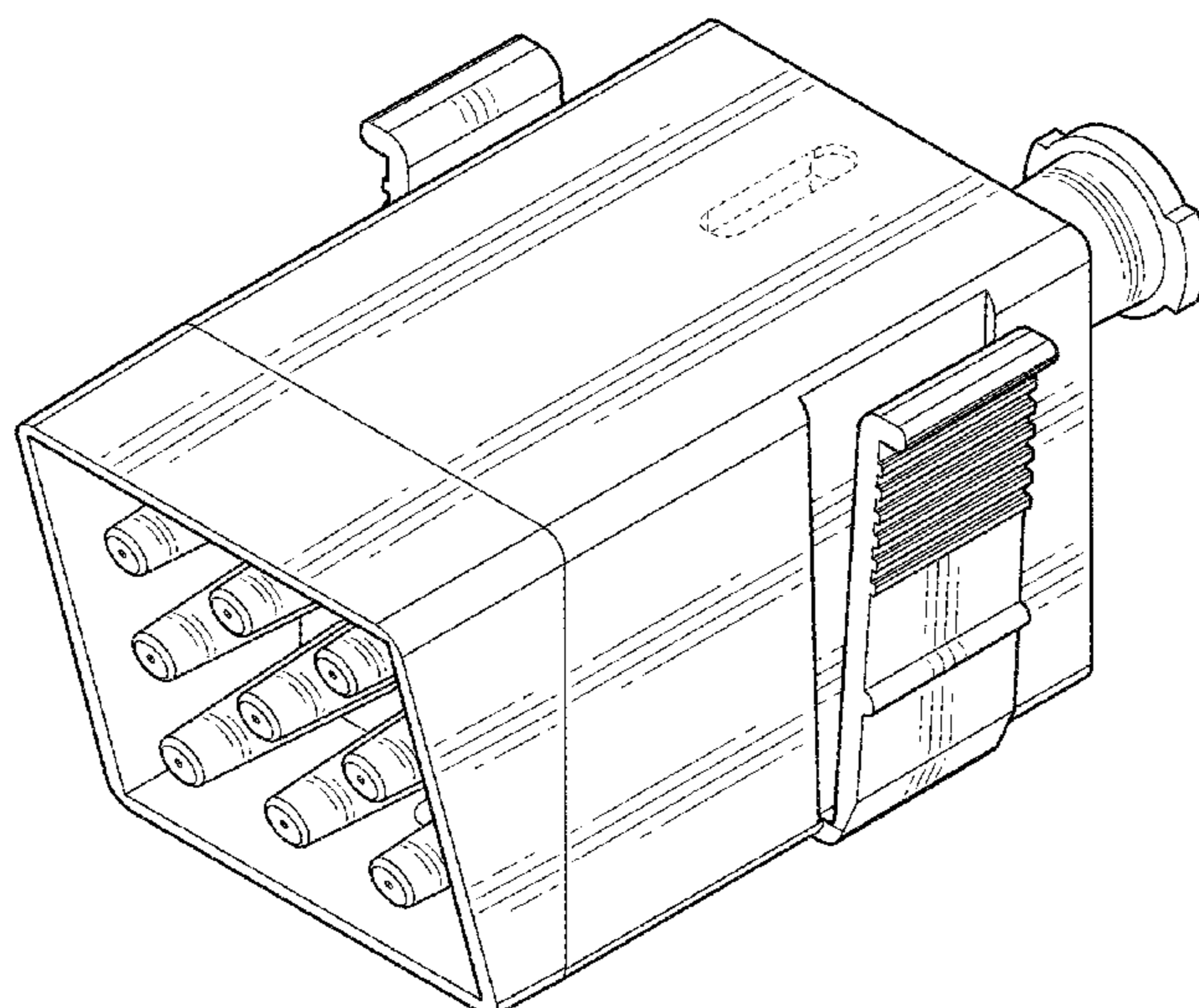
The ornamental design for a needle unit for automatic injecting device, as shown and described.

DESCRIPTION

FIG. 1 is a left-front perspective view of the needle unit; FIG. 2 is a front view of the needle unit of FIG. 1; FIG. 3 is a back view of the needle unit of FIG. 1; FIG. 4 is a left side view of the needle unit of FIG. 1; FIG. 5 is a right side view of the needle unit of FIG. 1; FIG. 6 is a top view of the needle unit of FIG. 1; FIG. 7 is a bottom view of the needle unit of FIG. 1; FIG. 8 is a right-front perspective view of the needle unit of FIG. 1; FIG. 9 is a bottom-right perspective view of the needle unit of FIG. 1; FIG. 10 is a bottom-left perspective view of the needle unit of FIG. 1; and, FIG. 11 is the left-front perspective view of the needle unit of FIG. 1 showing the needle unit attached to an automatic injection device.

The shade lines on the surfaces of the needle unit show contour and not surface ornamentation. The broken lines depict portions of the device and form no part of the claimed design. The dot-dot-dash lines depict environmental structures and form no part of the claimed design.

1 Claim, 11 Drawing Sheets



(56)

References Cited

U.S. PATENT DOCUMENTS

2013/0102954 A1* 4/2013 Choi A61H 39/08
604/21

* cited by examiner

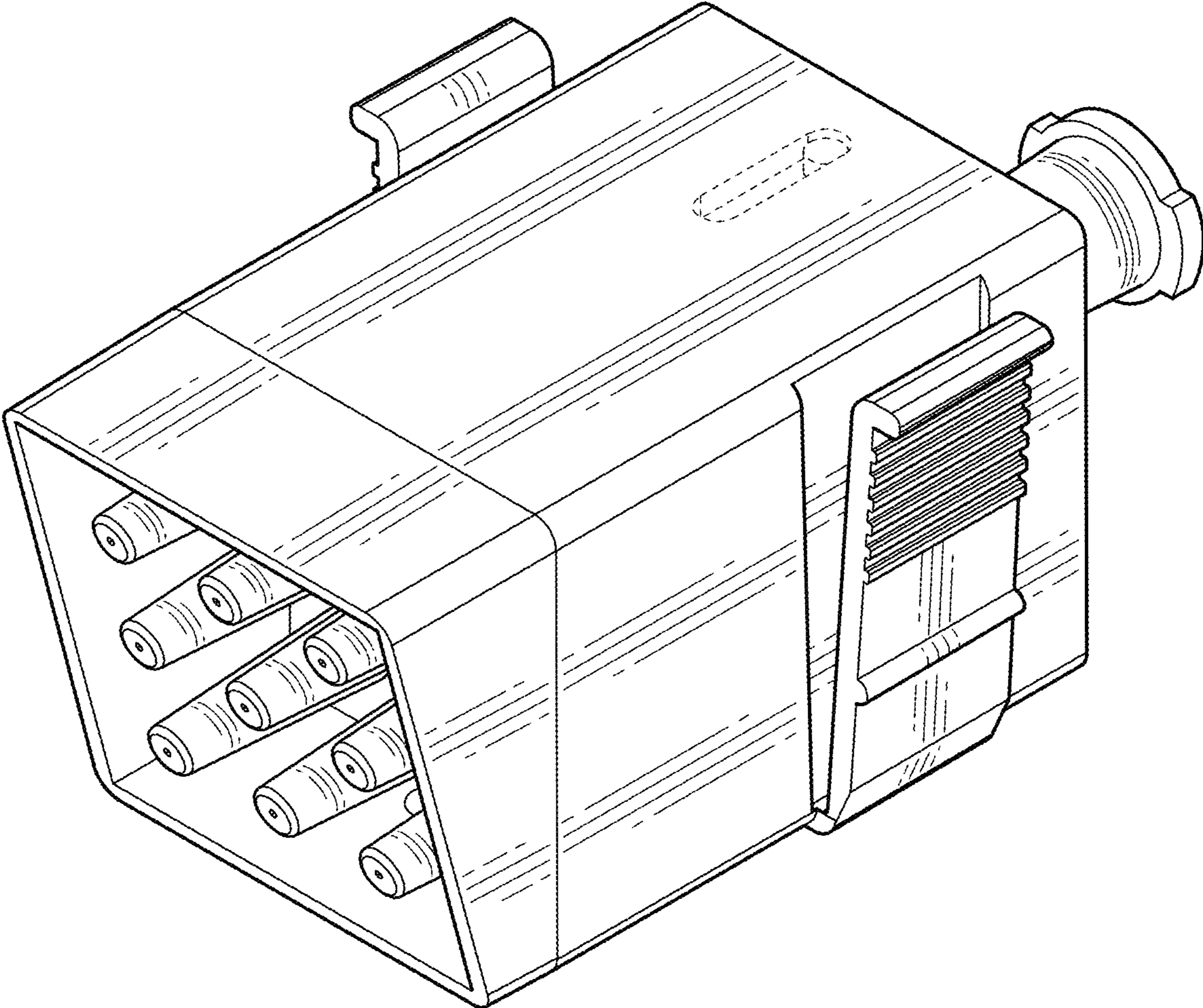


FIG. 1

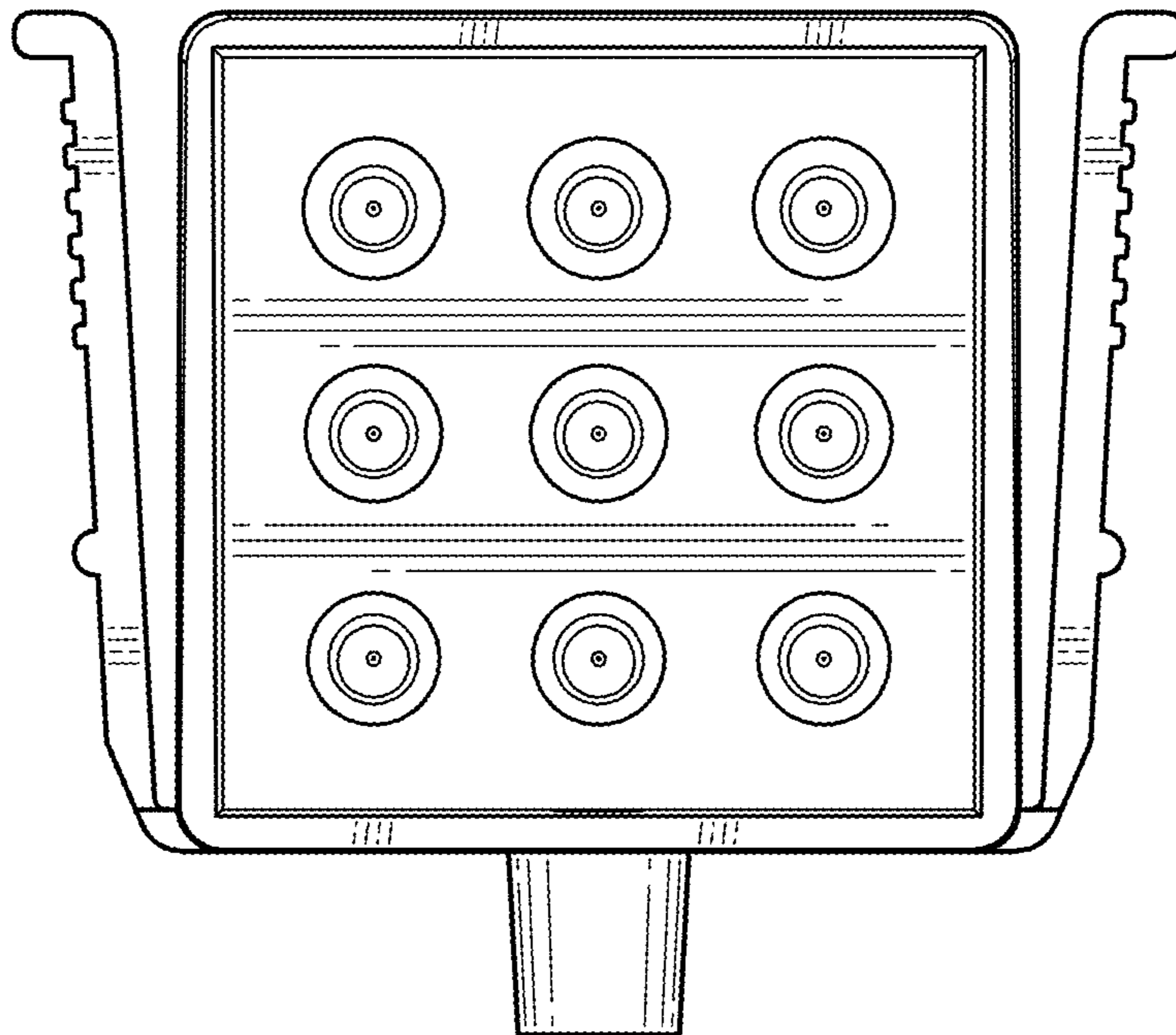


FIG. 2

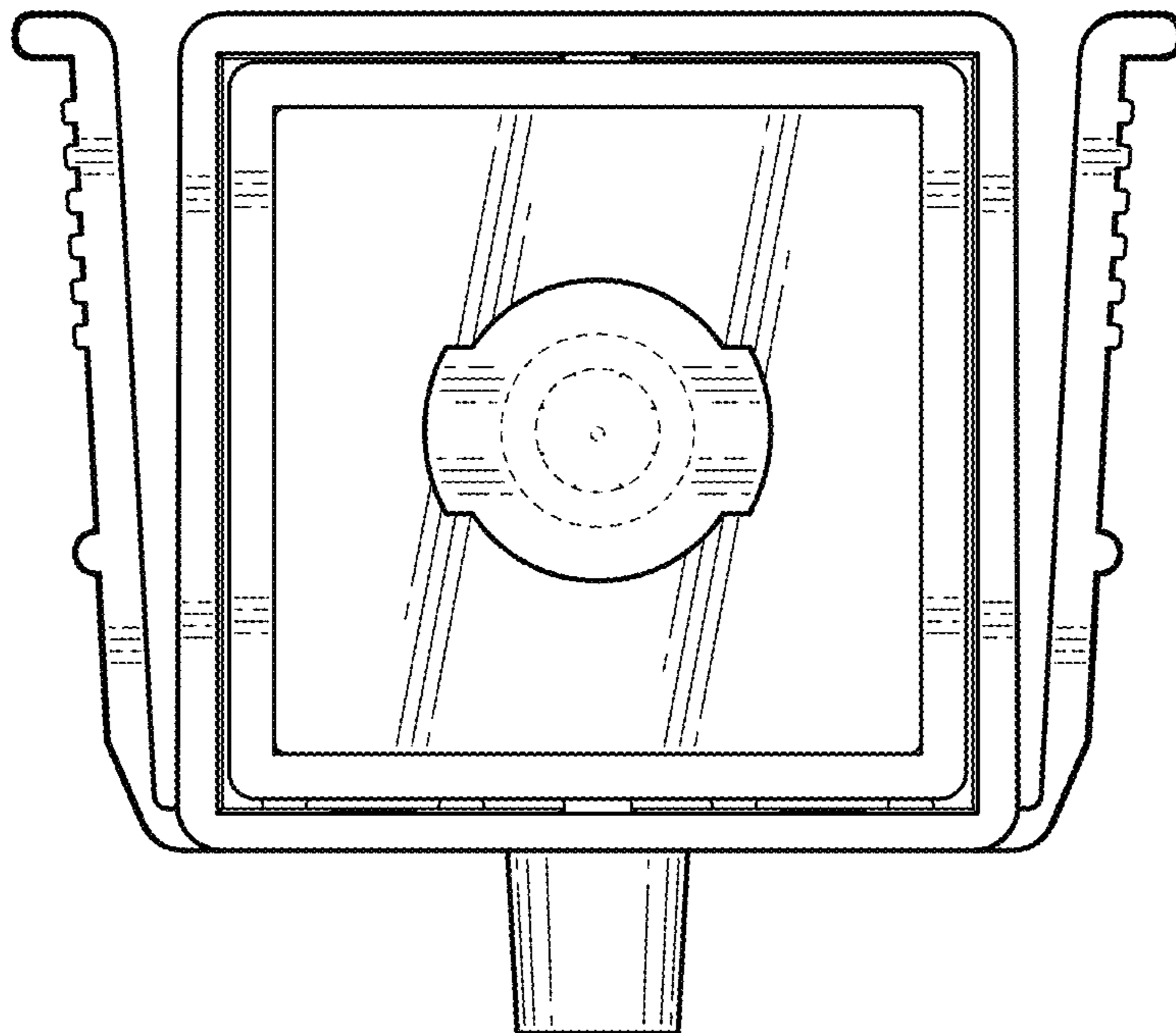


FIG. 3

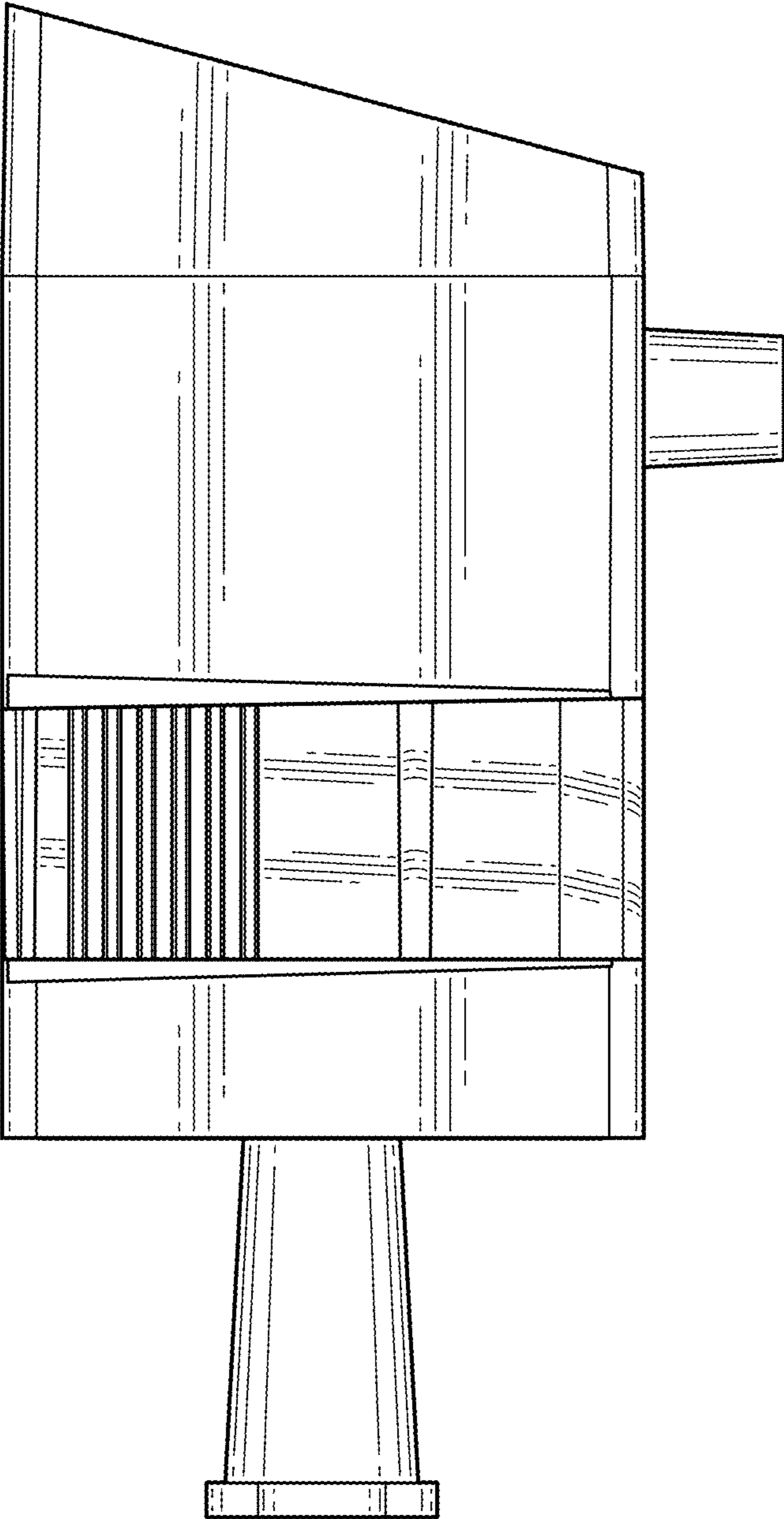


FIG. 4

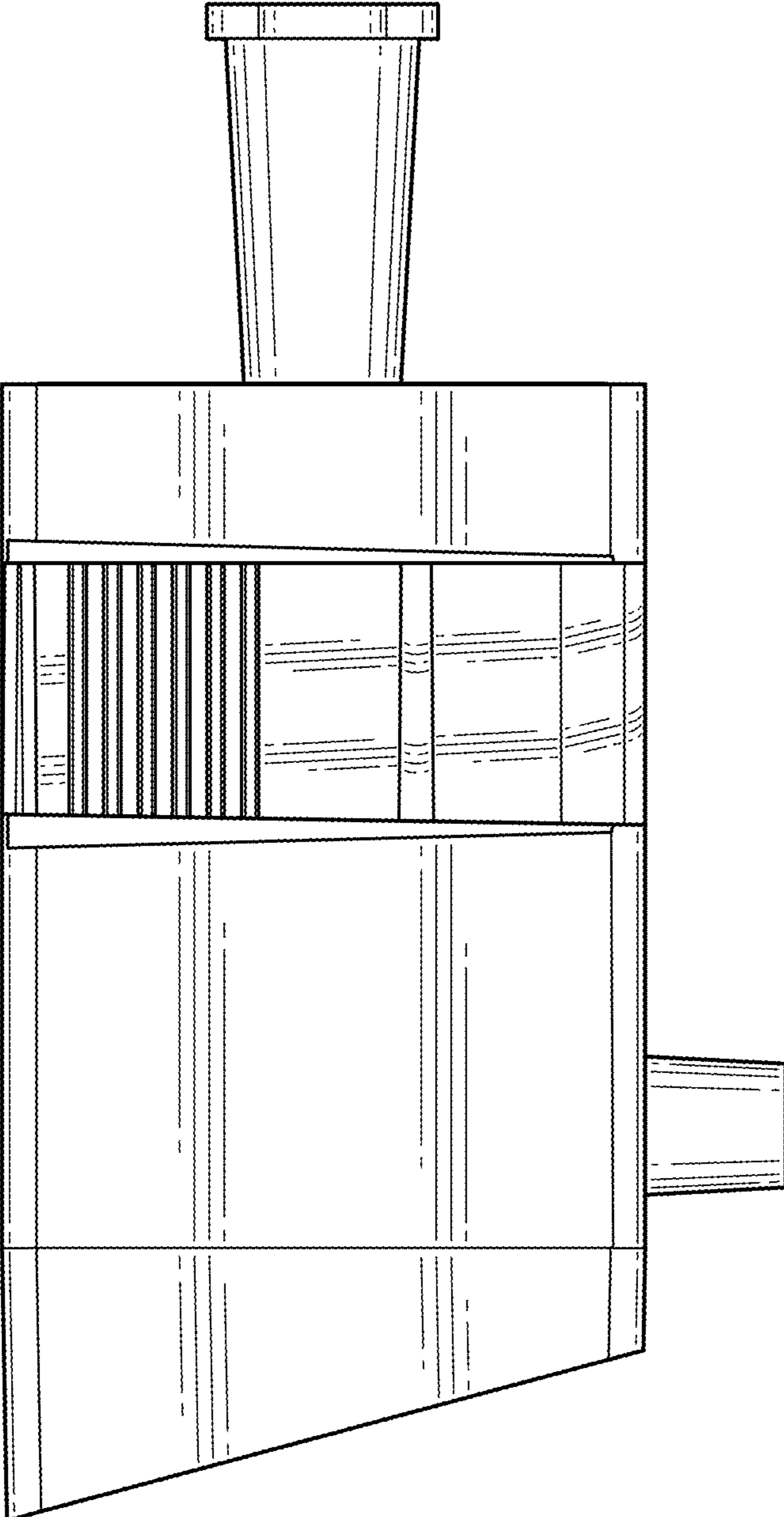


FIG. 5

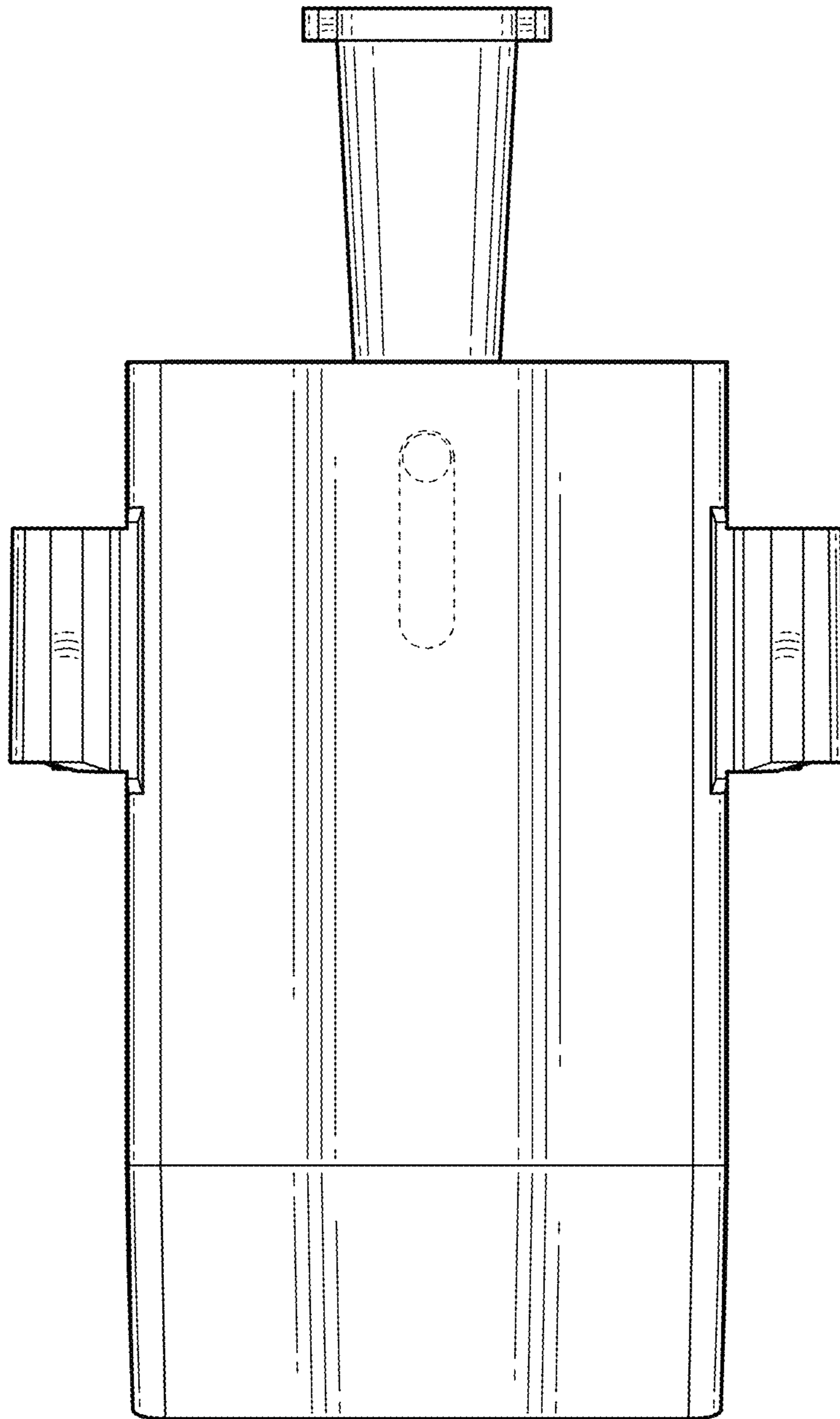


FIG. 6

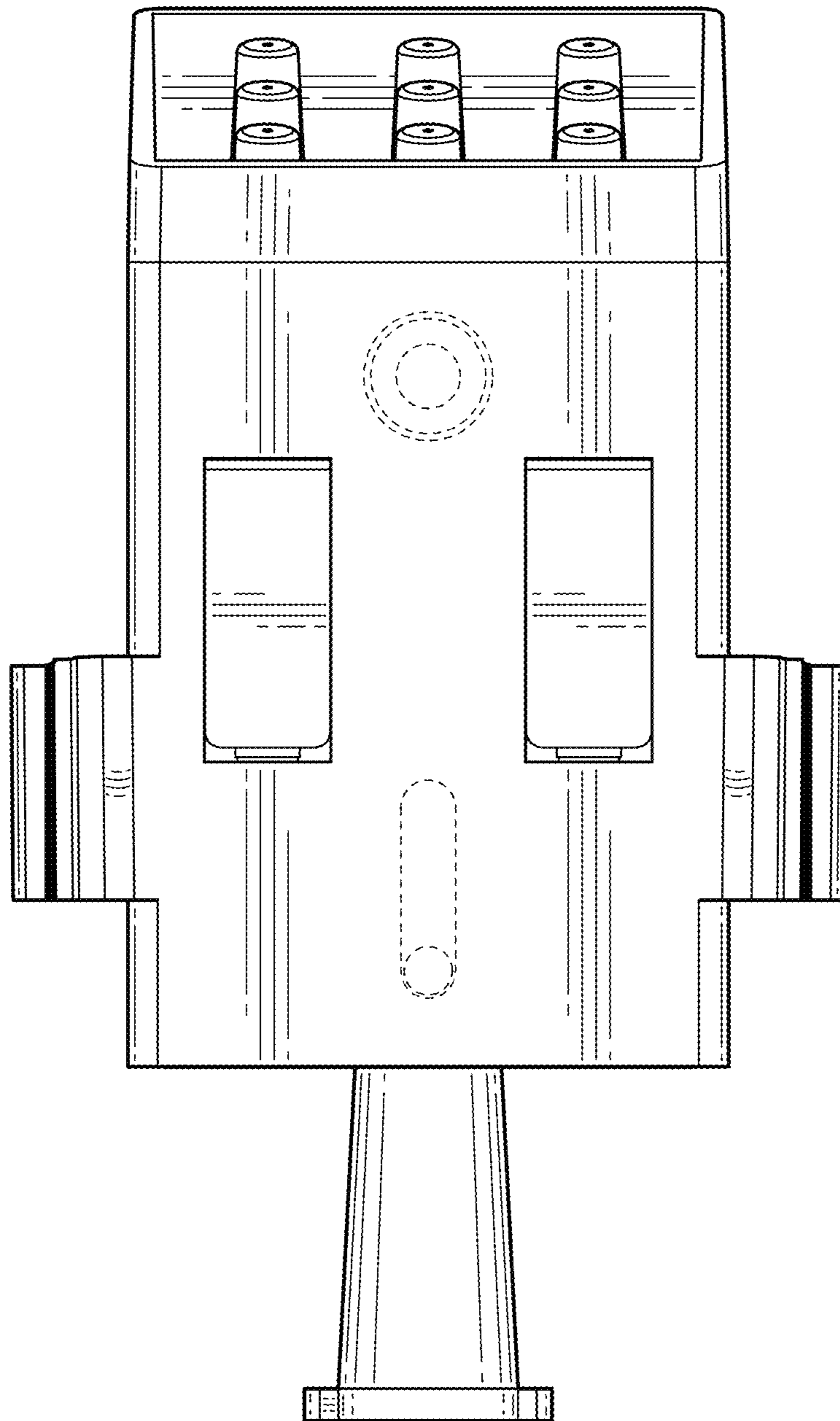


FIG. 7

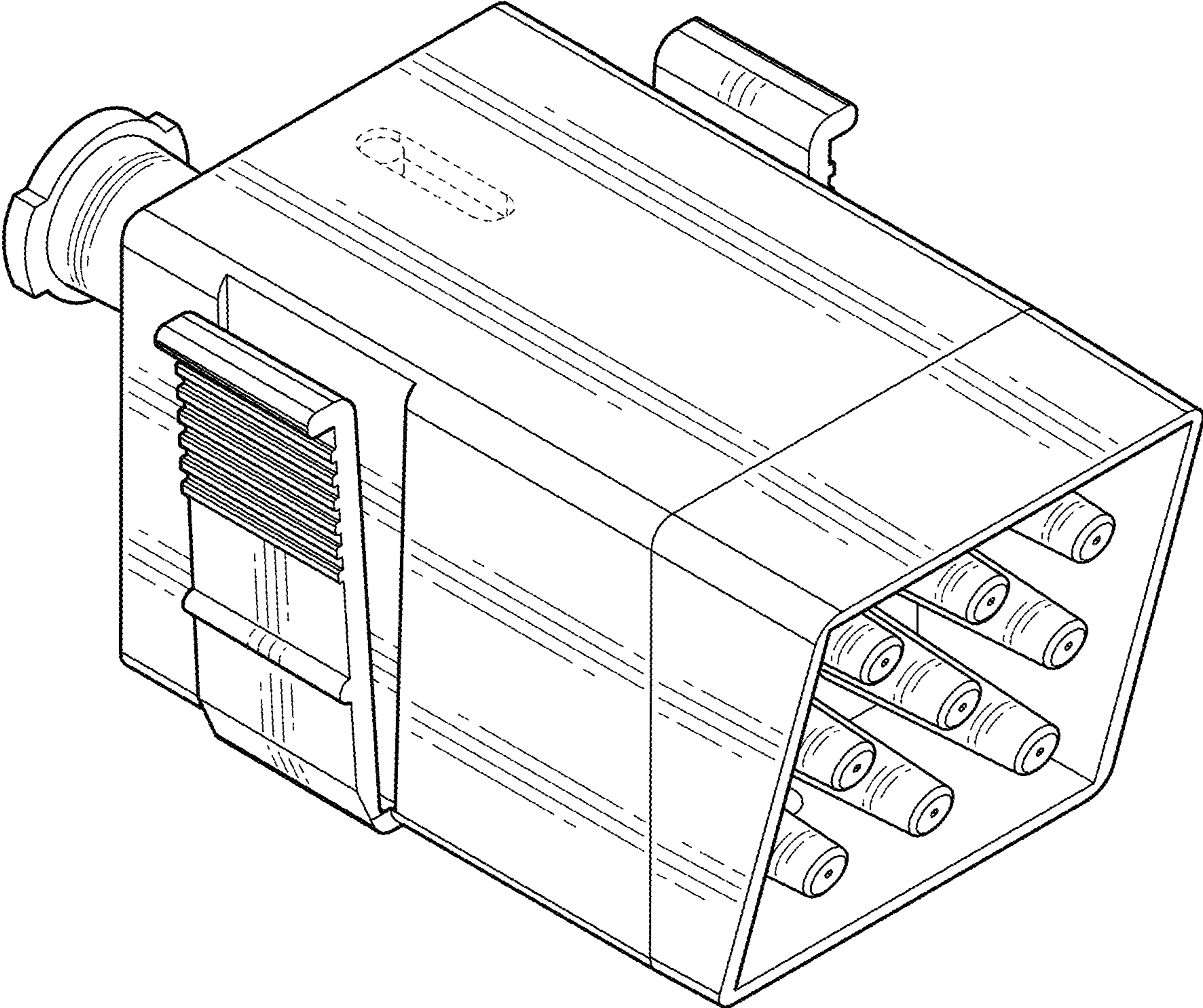


FIG. 8

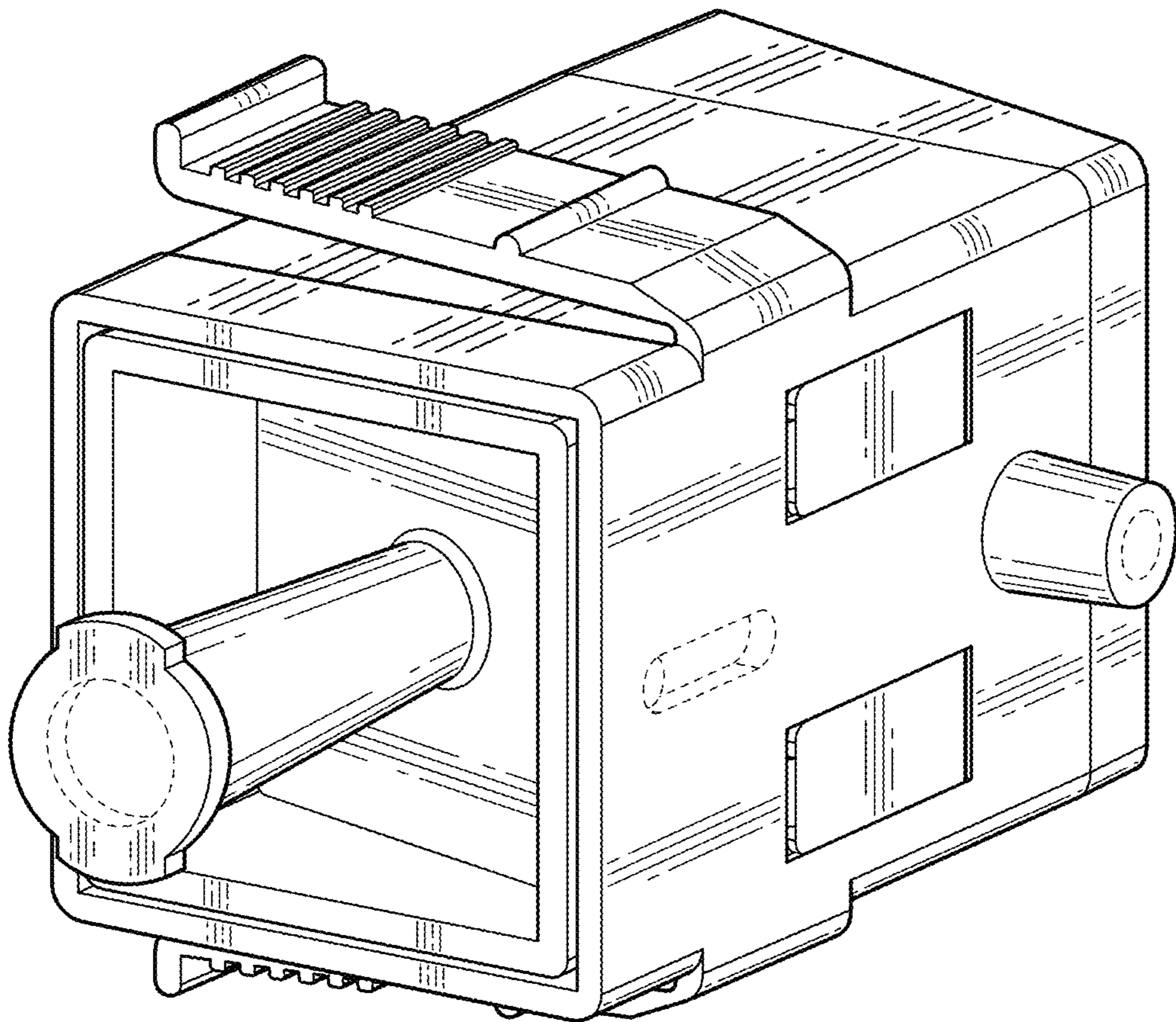


FIG. 9

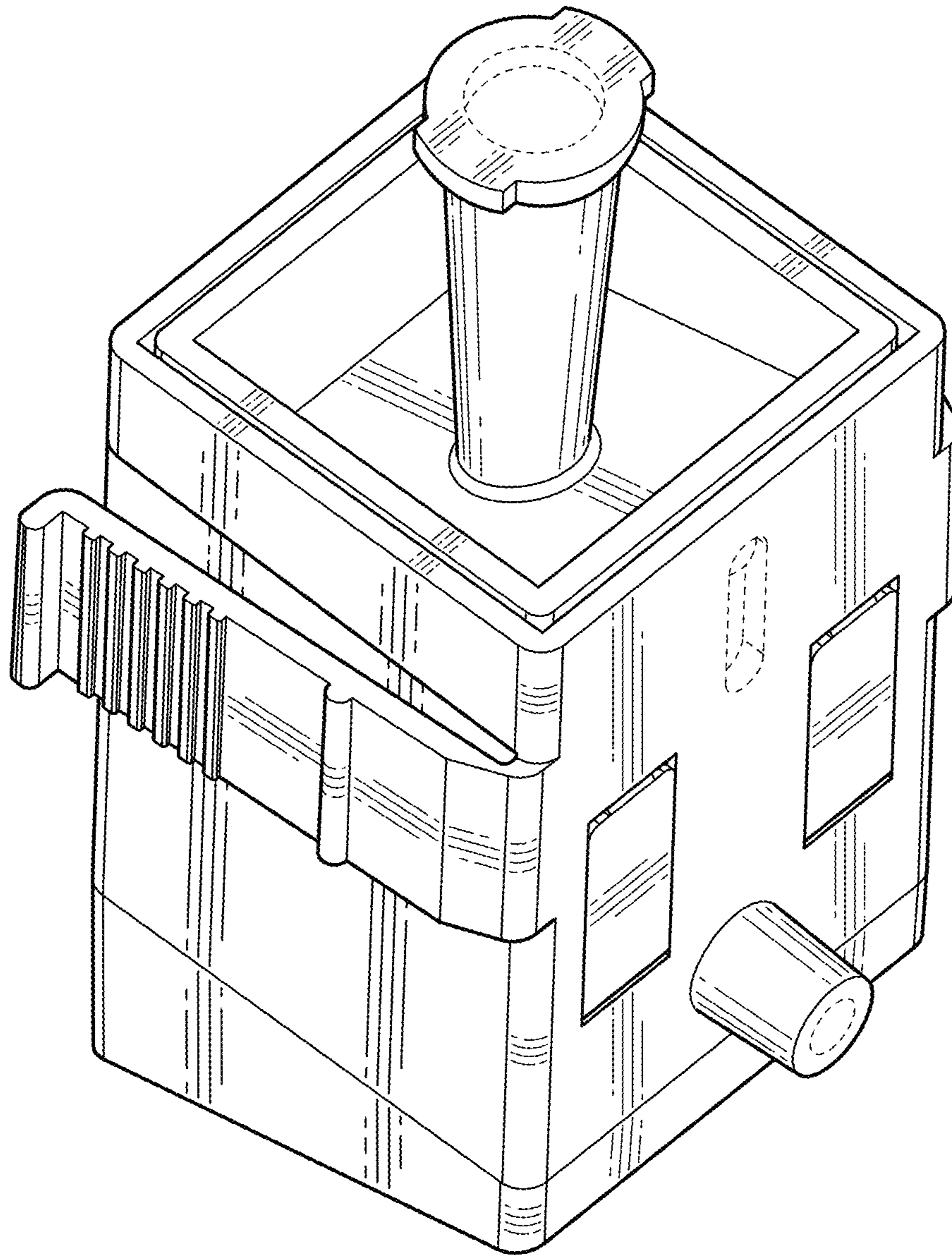


FIG. 10

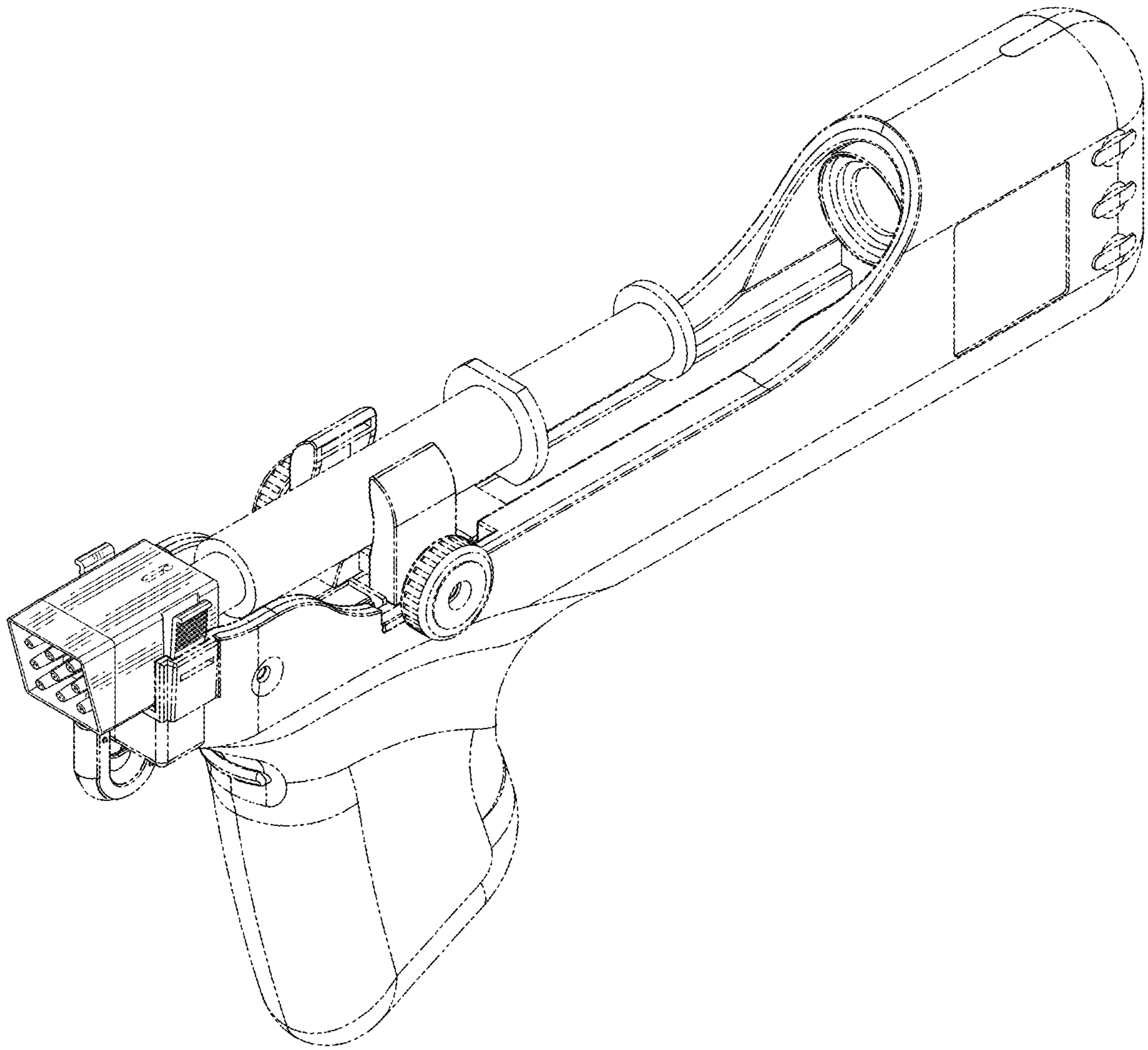


FIG. 11