



US00D912803S

(12) **United States Design Patent** (10) **Patent No.:** **US D912,803 S**
Cheung et al. (45) **Date of Patent:** **** Mar. 9, 2021**

(54) **FLUID TANK**
(71) Applicant: **Willo 32 SAS**, Limoges (FR)
(72) Inventors: **Kwan Hon Anson Cheung**, San Francisco, CA (US); **Fred Bould**, Menlo Park, CA (US); **Teddy Luong**, San Francisco, CA (US); **Hugo De Gentile**, Feytiat (FR); **Ilan Abehassera**, New York, NY (US)

D829,887 S * 10/2018 Massie D24/111
D832,418 S * 10/2018 Porter D24/111
D832,419 S * 10/2018 Porter D24/111
D832,420 S * 10/2018 Porter D24/111
D833,000 S * 11/2018 Porter D24/111
D833,600 S * 11/2018 Porter D24/111
D833,601 S * 11/2018 Massie D24/111
D833,602 S * 11/2018 Massie D24/111
D834,180 S * 11/2018 Porter D24/111
D839,409 S * 1/2019 Massie D24/111
D840,023 S * 2/2019 Massie D24/111
D857,881 S * 8/2019 Massie D24/111
D858,750 S * 9/2019 Porter D24/111
D859,644 S * 9/2019 Porter D24/111

(73) Assignee: **Willo 32 SAS**, Limoges (FR)
(**) Term: **15 Years**

(Continued)

(21) Appl. No.: **29/694,519**
(22) Filed: **Jun. 11, 2019**
(51) **LOC (13) Cl.** **24-02**
(52) **U.S. Cl.**
USPC **D24/111**
(58) **Field of Classification Search**
USPC D24/107, 108, 111–113, 121, 127, 164,
D24/177, 188, 185; D4/100–102, 114
CPC . A61C 17/02; A61C 17/0202; A61C 17/0205;
A61C 17/024; A61C 17/028
See application file for complete search history.

FOREIGN PATENT DOCUMENTS

EM 006954665-0002 * 10/2019
EM 006954665-0003 * 10/2019

Primary Examiner — Lilyana Bekic
(74) *Attorney, Agent, or Firm* — Daylight Law, P.C.

(56) **References Cited**

U.S. PATENT DOCUMENTS

D266,117 S * 9/1982 Oberheim D24/111
D375,565 S * 11/1996 Autrey D24/121
D425,981 S * 5/2000 Bachman D24/111
D714,929 S * 10/2014 Kim D24/111
D714,930 S * 10/2014 Kim A61C 1/0092
D24/111
D718,855 S * 12/2014 Kim A61C 17/0205
D24/111
D798,440 S * 9/2017 Kim D24/111
10,016,254 B2 * 7/2018 Luetngen A61C 17/0202
D829,886 S * 10/2018 Massie D24/111

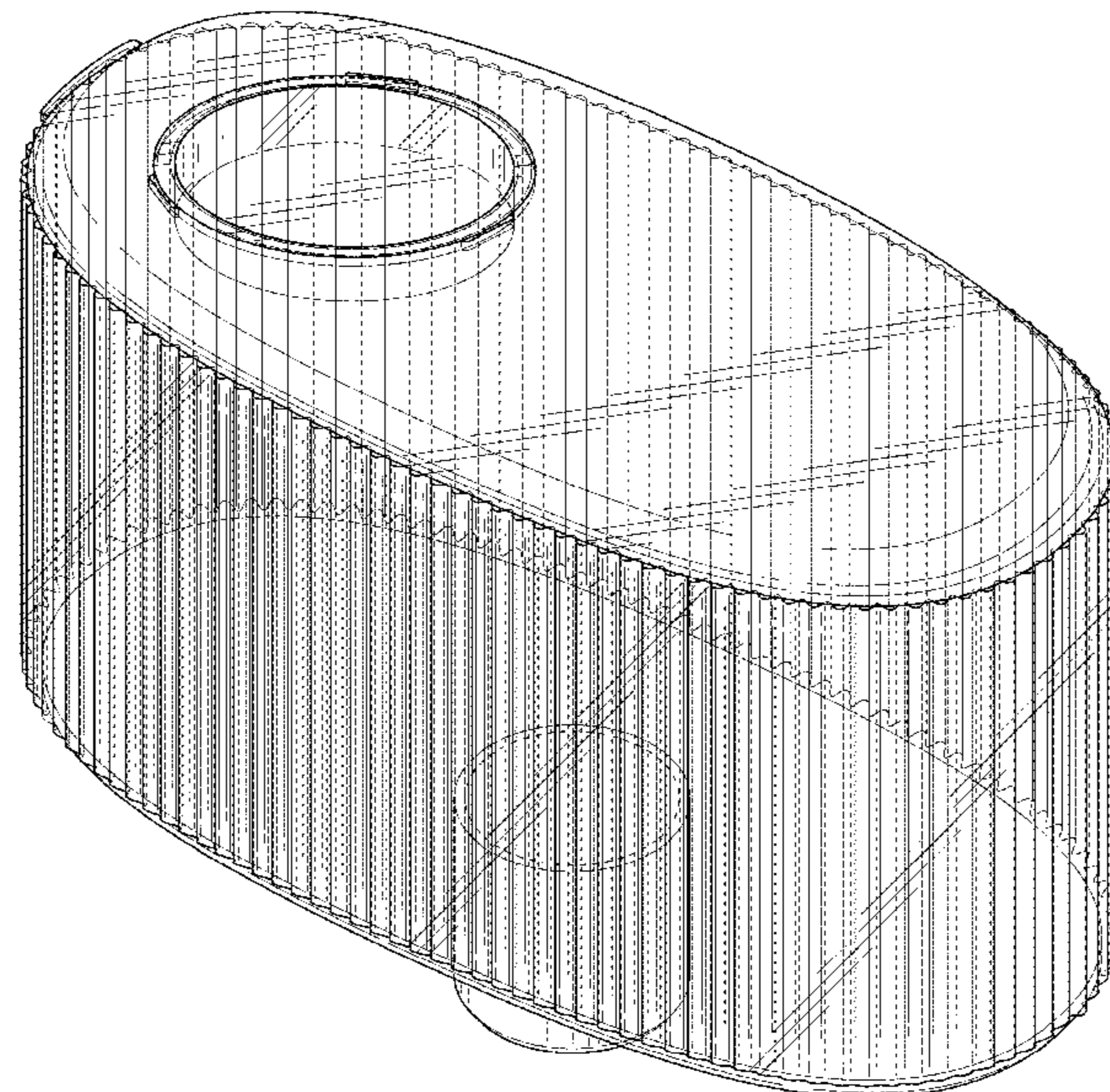
(57) **CLAIM**

The ornamental design for a fluid tank, as shown and described.

DESCRIPTION

FIG. 1 is a top-right perspective view of a fluid tank showing our new design;
FIG. 2 is a bottom-left perspective view thereof;
FIG. 3 is a top-right-back view thereof;
FIG. 4 is a back view thereof;
FIG. 5 is a front view thereof;
FIG. 6 is a left-side view thereof;
FIG. 7 is a right-side view thereof;
FIG. 8 is a top view thereof; and,
FIG. 9 is a bottom view thereof.
The broken lines in FIGS. 1, 2, 3, 8, and 9 depict portions of the fluid tank that form no part of the claimed design.

1 Claim, 9 Drawing Sheets



(56)

References Cited

U.S. PATENT DOCUMENTS

D867,579 S * 11/2019 Porter D24/111
D872,855 S * 1/2020 Porter D24/111
10,604,394 B1 * 3/2020 Cazeneuve A61C 17/227
D888,230 S * 6/2020 Li D24/111
10,682,673 B1 * 6/2020 Laurent B65D 85/70
D889,636 S * 7/2020 Senff D24/111
D893,017 S * 8/2020 Porter D24/111
10,779,922 B2 * 9/2020 Wagner A61C 17/028
2015/0173850 A1 * 6/2015 Garrigues A61C 1/0092
433/80
2018/0168784 A1 * 6/2018 Wagner A61C 17/0202
2018/0168785 A1 * 6/2018 Wagner A61C 17/0202
2020/0245753 A1 * 8/2020 Jeung A46B 11/06
2020/0255274 A1 * 8/2020 Cazeneuve B67B 7/28

* cited by examiner

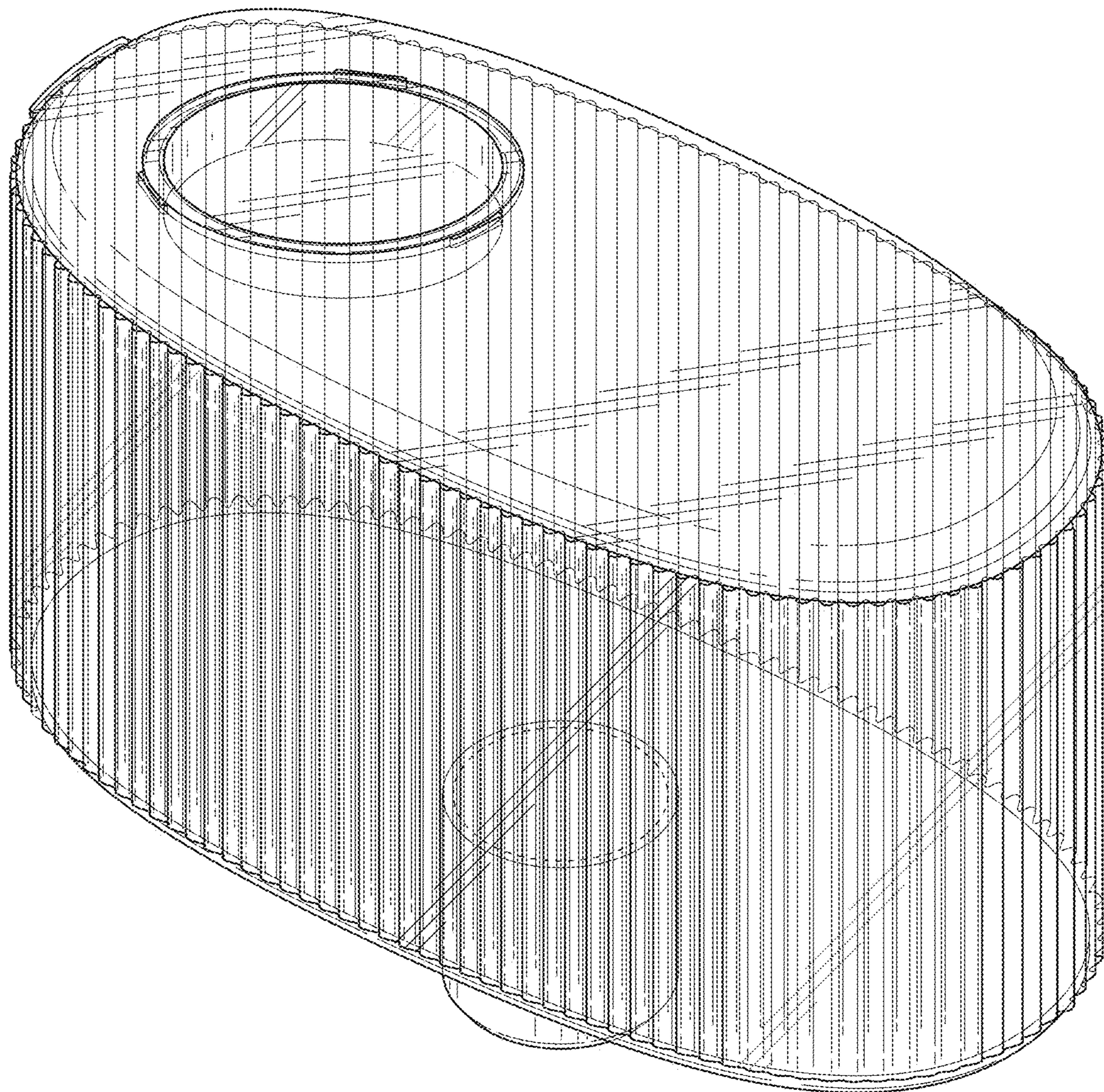


FIG. 1

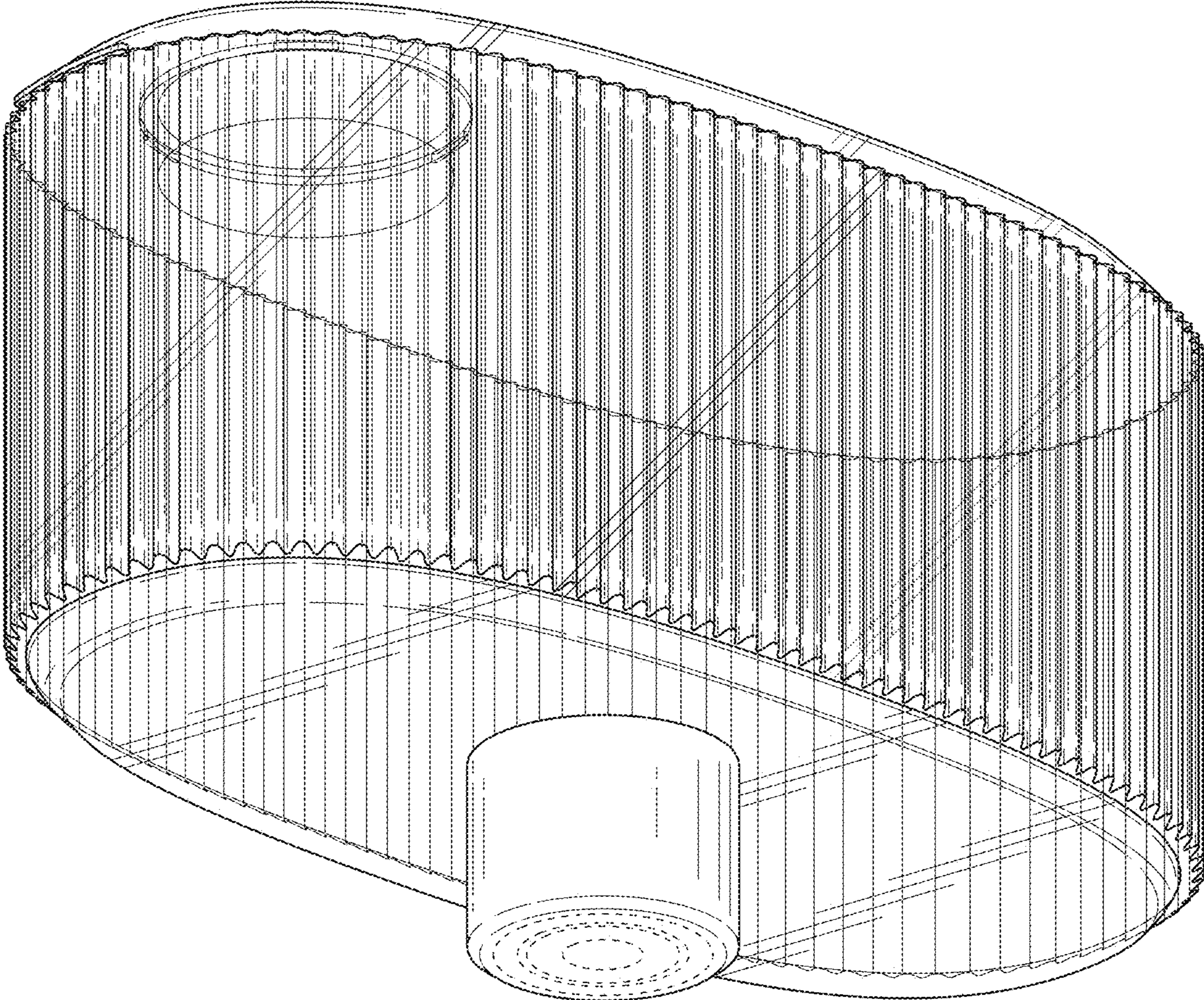


FIG. 2

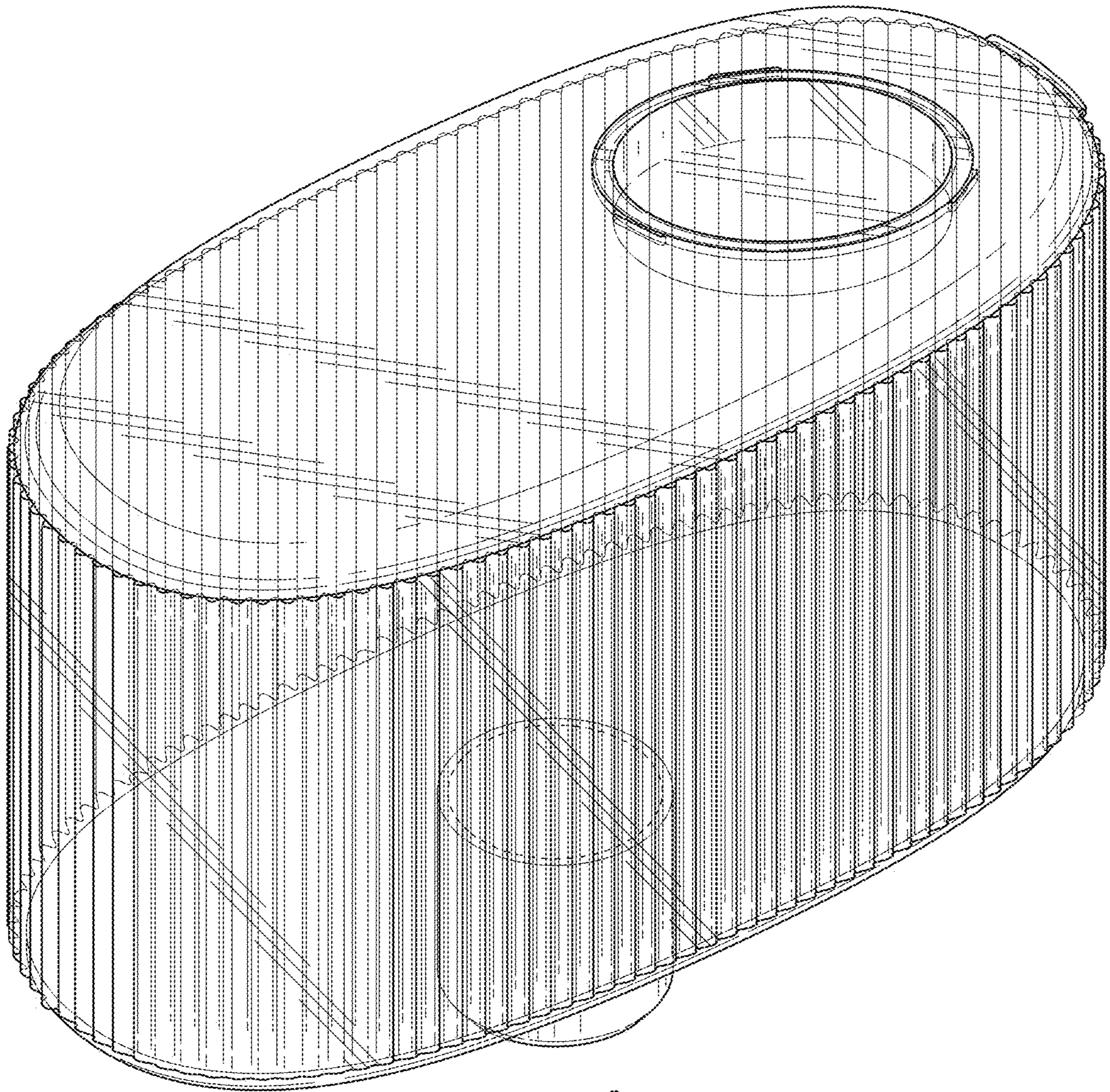


FIG. 3

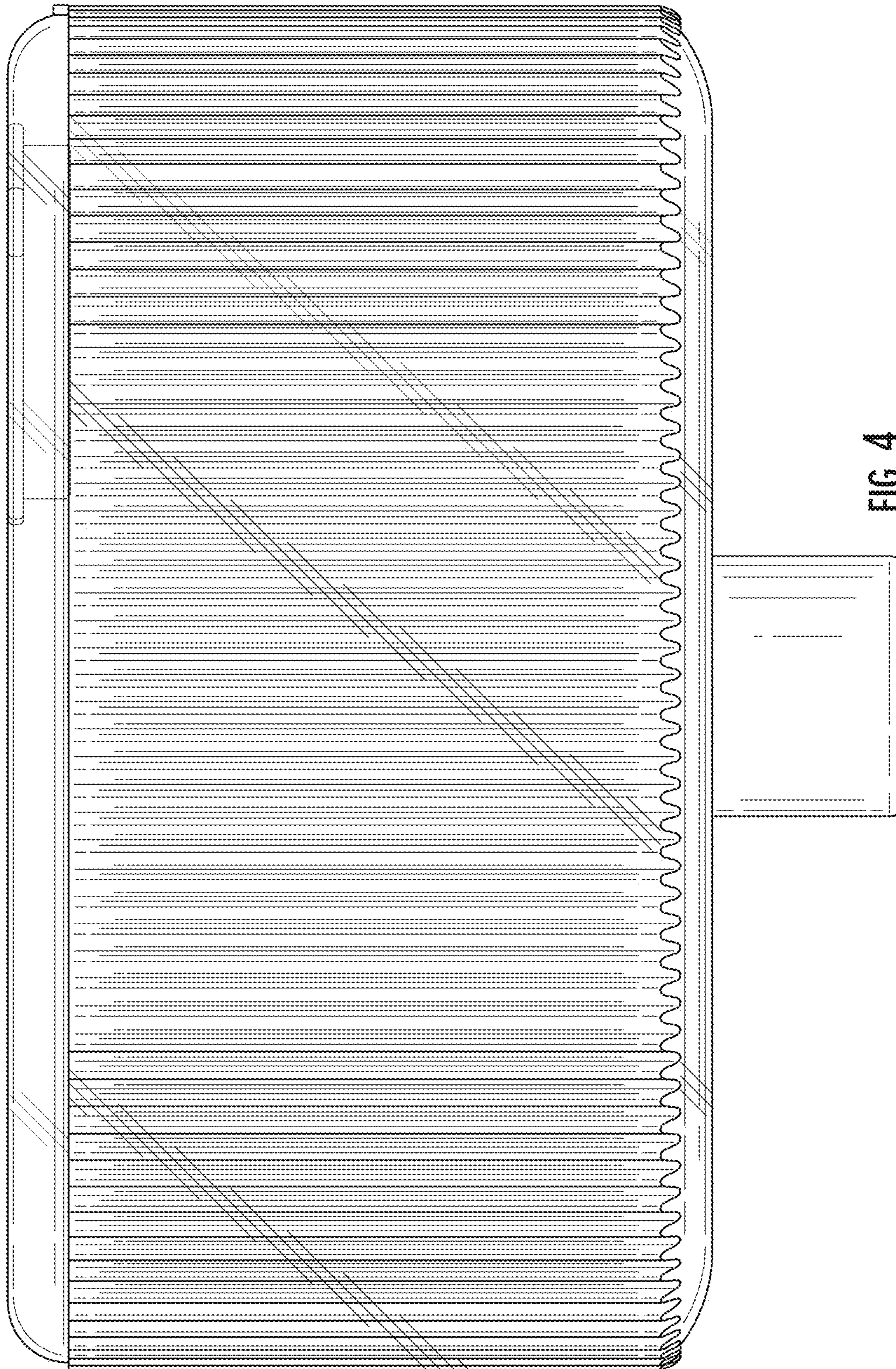


FIG. 4

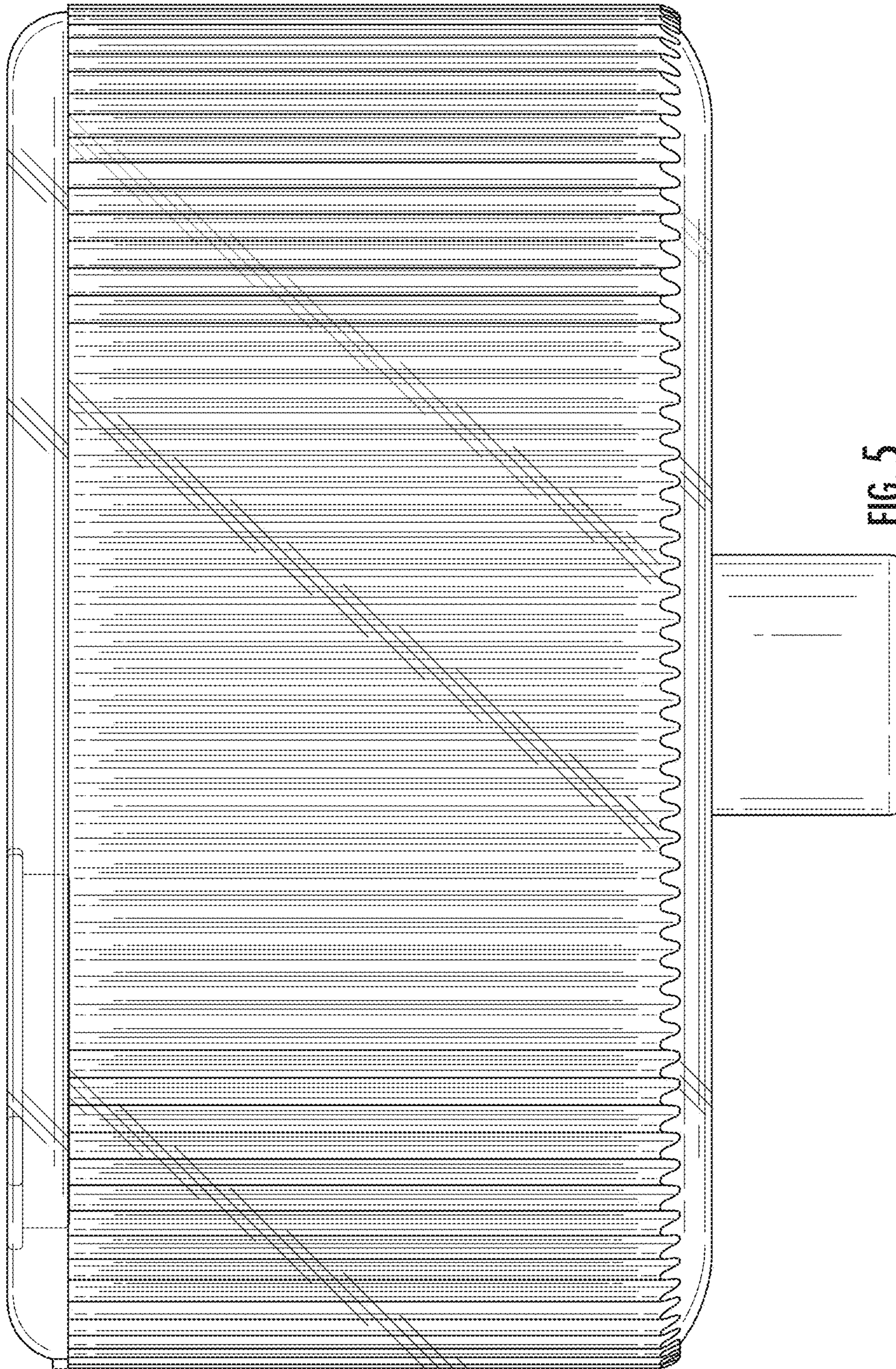
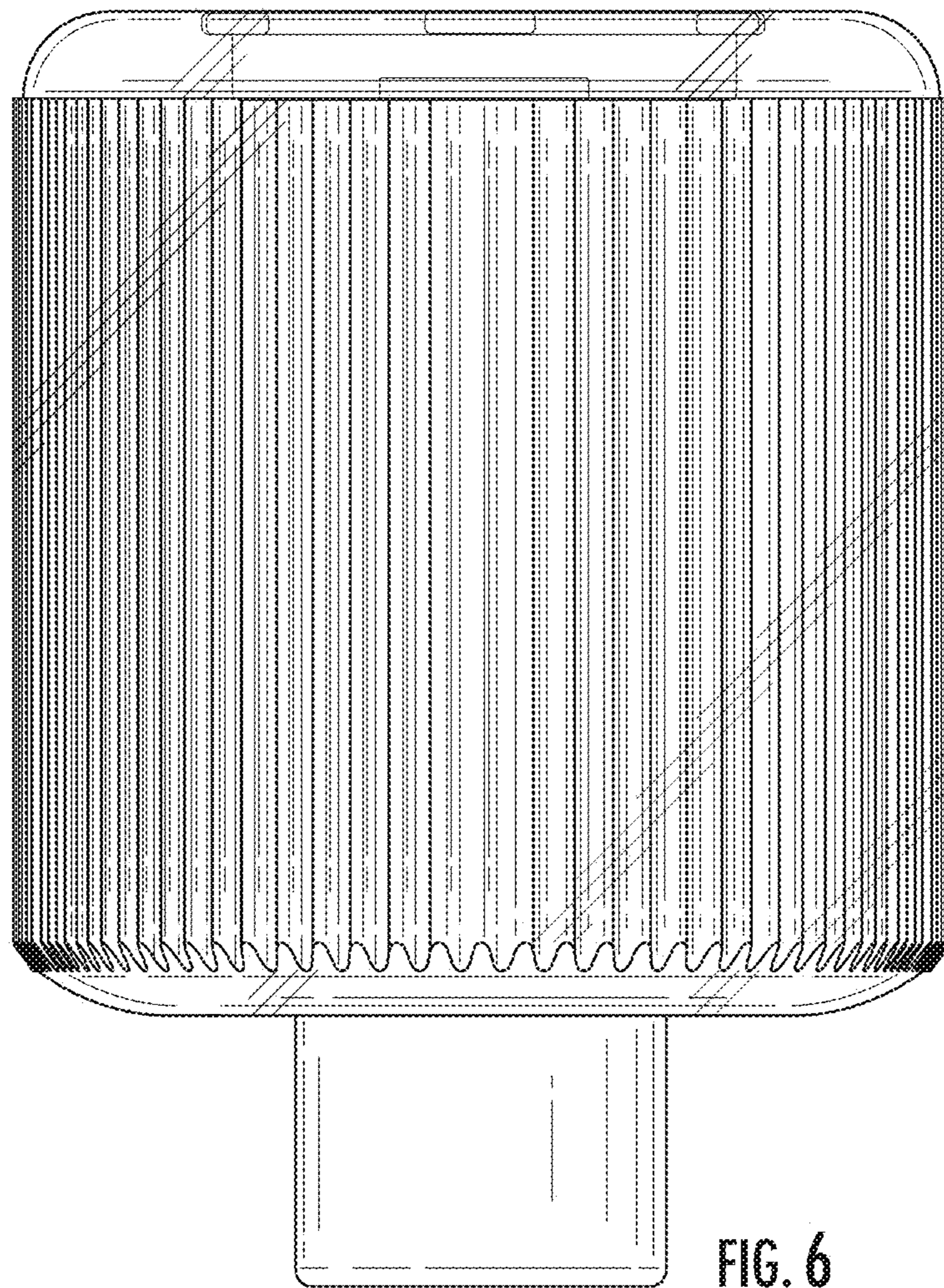
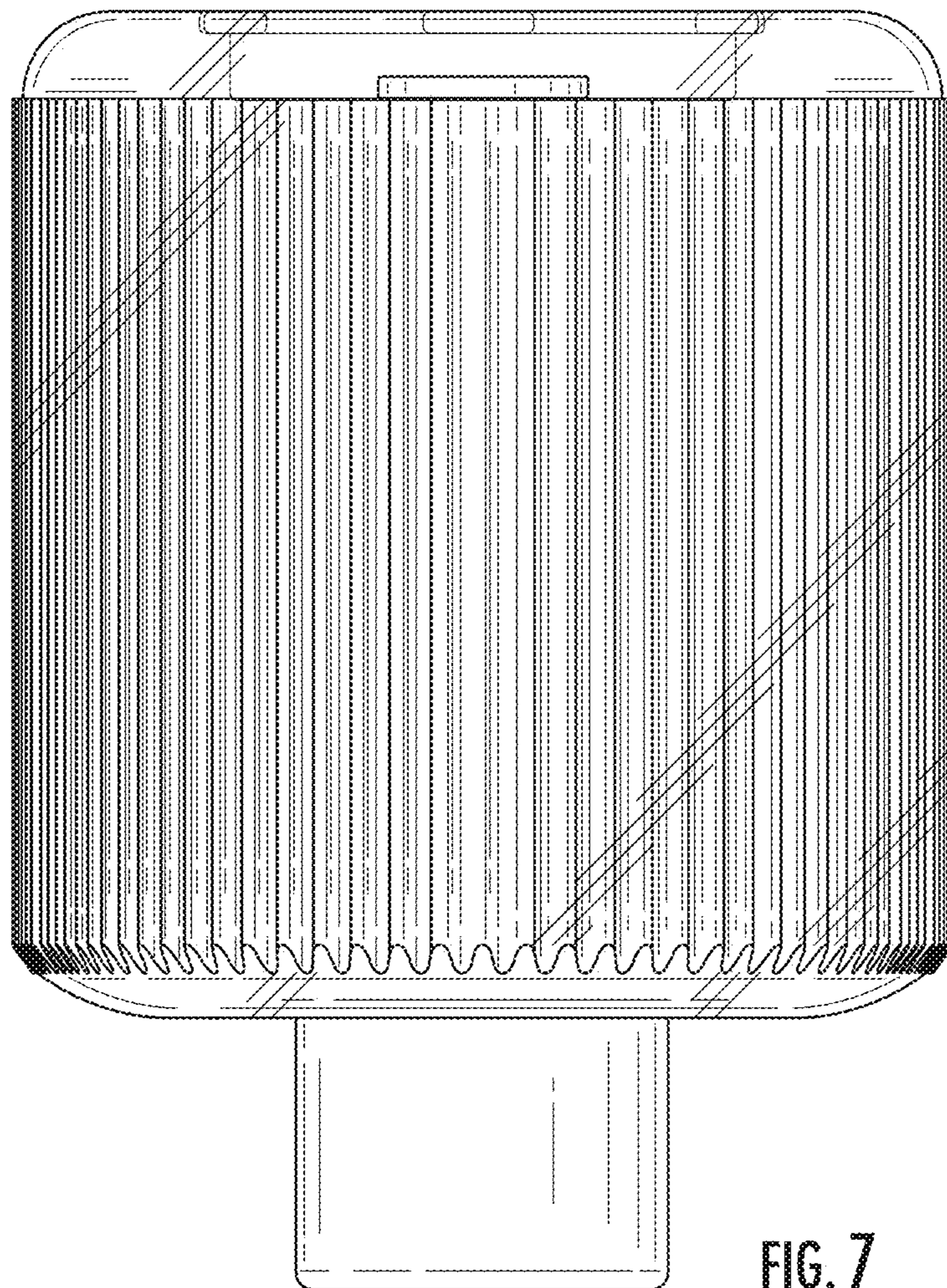


FIG. 5





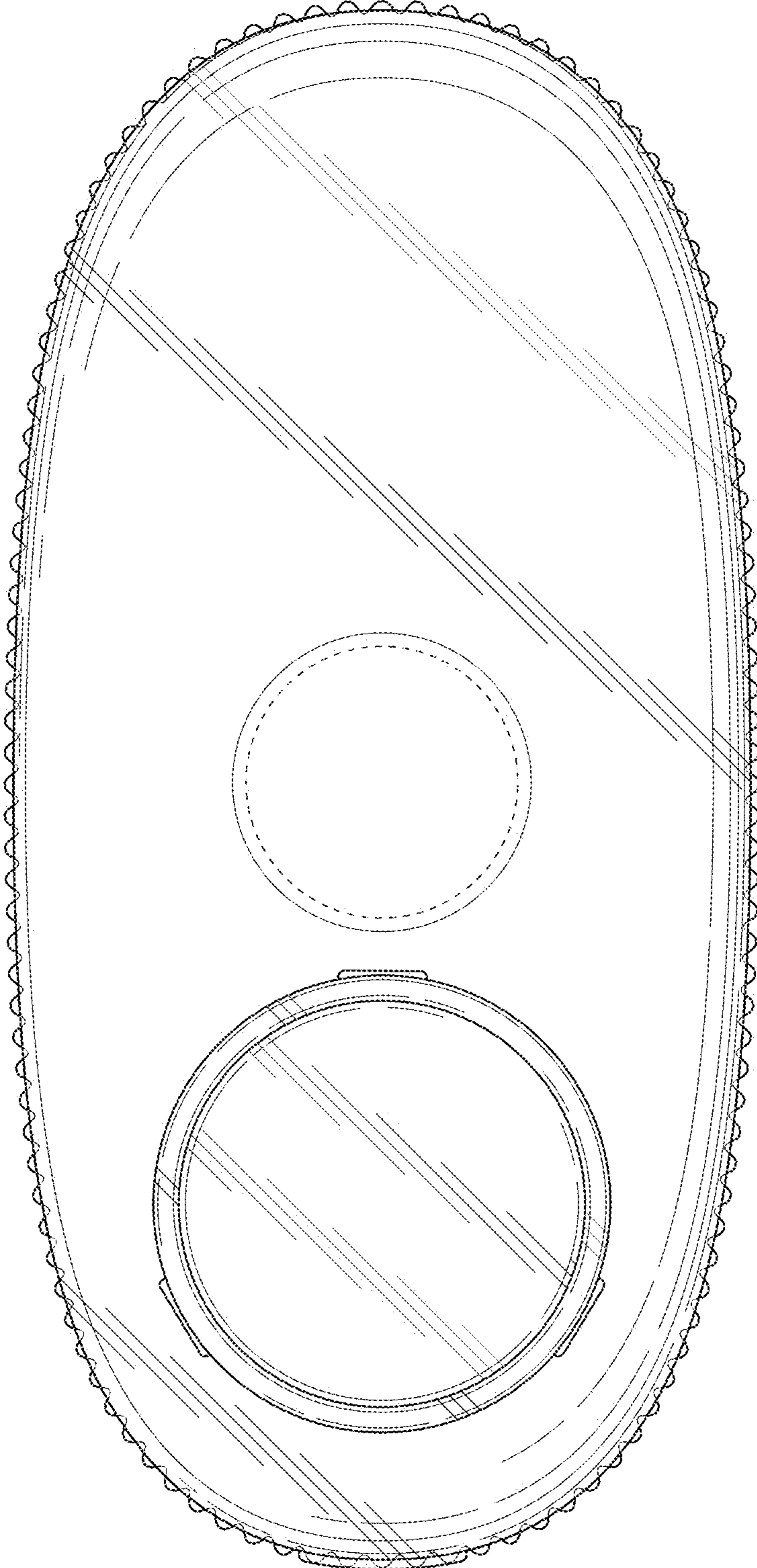


FIG. 8

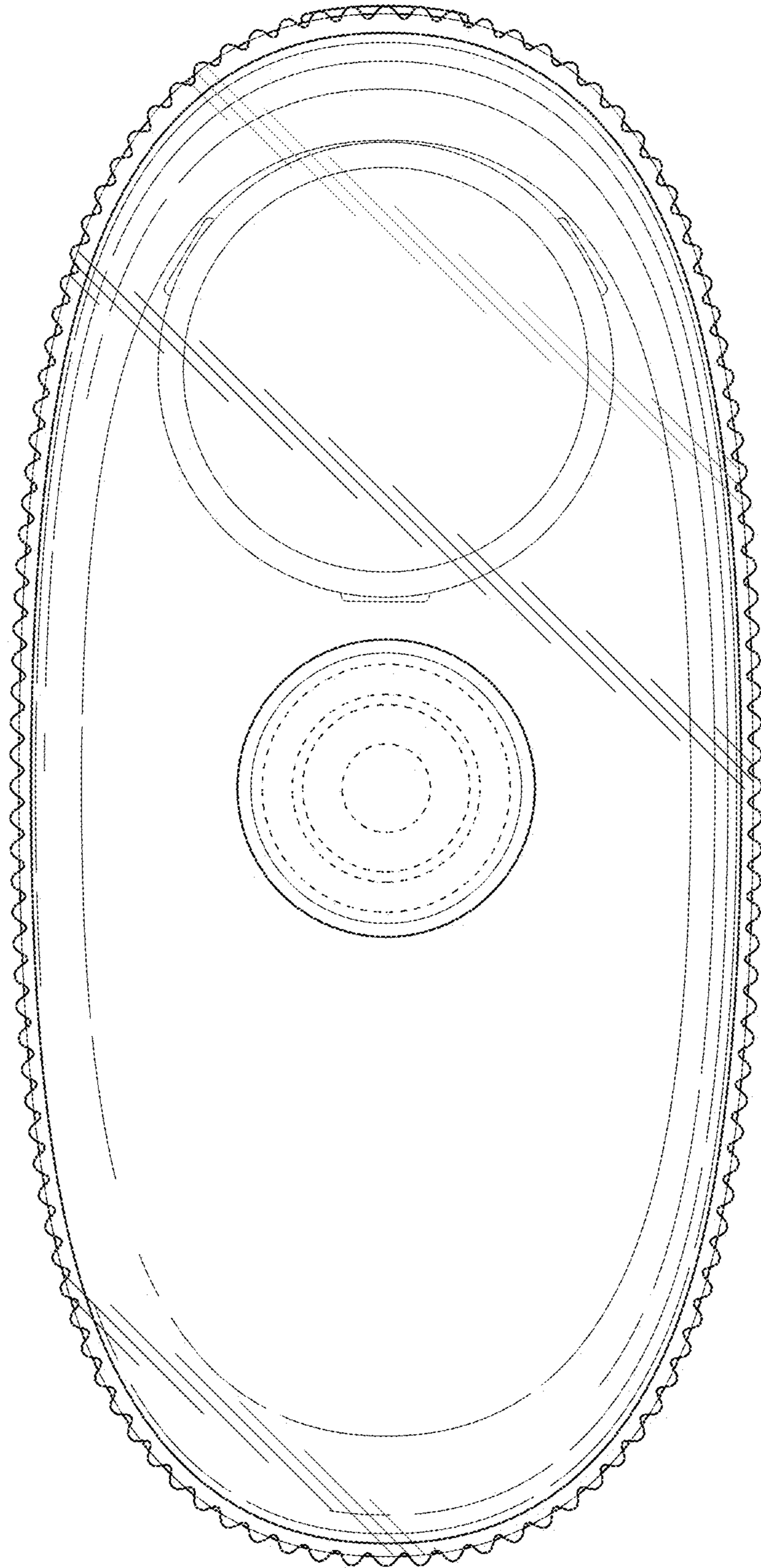


FIG. 9