



US00D912802S

(12) **United States Design Patent** (10) **Patent No.:** **US D912,802 S**  
**Williams et al.** (45) **Date of Patent:** **\*\* Mar. 9, 2021**

(54) **ORAL IRRIGATOR HANDLE**

10,004,844 B2 \* 6/2018 Cheng ..... A61M 5/142  
10,016,254 B2 7/2018 Luetngen  
D825,741 S \* 8/2018 Massie ..... D24/111  
(Continued)

(71) Applicant: **WATER PIK, INC.**, Fort Collins, CO  
(US)

(72) Inventors: **Brian Williams**, Fort Collins, CO (US);  
**Jeffrey Ladwig**, Seattle, WA (US);  
**Adam Weisgerber**, Shoreline, WA (US)

FOREIGN PATENT DOCUMENTS

CA 157122 S 2/2015  
CN ZL201420006692.6 7/2014  
(Continued)

(73) Assignee: **WATER PIK, INC.**, Fort Collins, CO  
(US)

OTHER PUBLICATIONS

(\*\*) Term: **15 Years**

Amazon.com: Oral-B Pro 2900 Electric Toothbrush, reviews 2018,  
<https://www.amazon.com/Oral-B-Electric-Rechargeable-Toothbrush-Powered/dp/B072VBF6M4#customerReviews>, site visited May 24,  
2020.\*

(21) Appl. No.: **29/668,454**

(22) Filed: **Oct. 30, 2018**

(Continued)

(51) **LOC (13) Cl.** ..... **24-02**

(52) **U.S. Cl.**  
USPC ..... **D24/111**

*Primary Examiner* — John R Yeh

(74) *Attorney, Agent, or Firm* — Dorsey & Whitney LLP

(58) **Field of Classification Search**  
USPC ..... D24/107–108, 111, 169, 185–186;  
D4/102–102, 109–111, 138  
CPC ..... A61M 5/142; A61M 2205/502; A61M  
5/1452; A61M 2205/505  
See application file for complete search history.

(57) **CLAIM**

We claim the ornamental design for an oral irrigator handle,  
as shown and described.

(56) **References Cited**

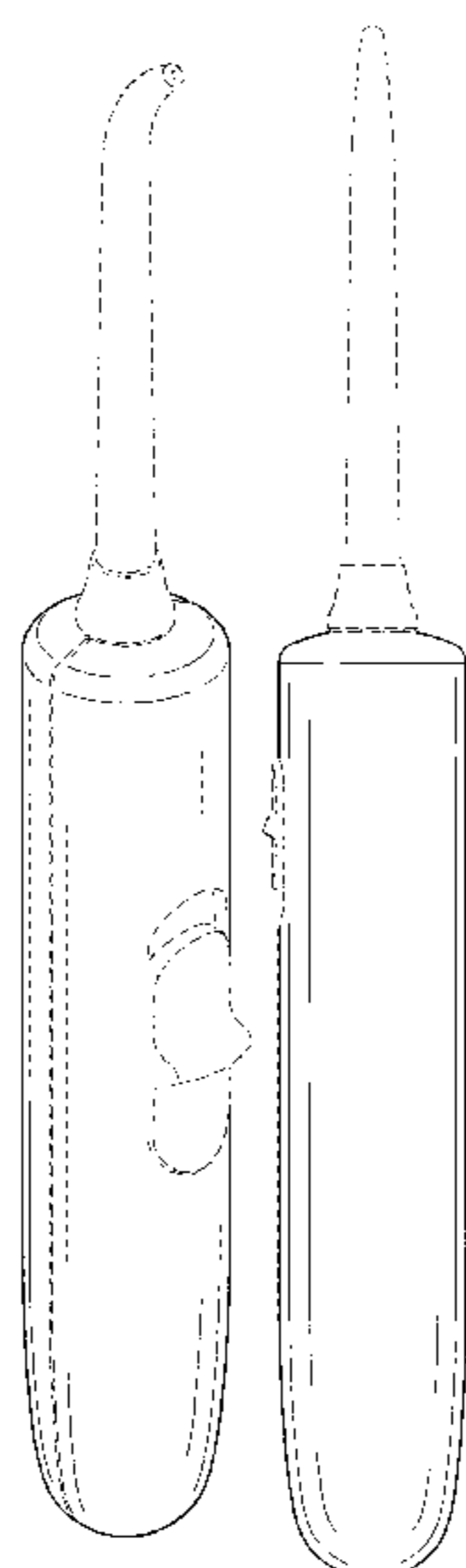
**DESCRIPTION**

U.S. PATENT DOCUMENTS

D276,936 S \* 12/1984 Fattaleh ..... D24/146  
D361,433 S \* 8/1995 Yang ..... D4/101  
D373,631 S \* 9/1996 Maeda ..... D24/111  
D435,905 S \* 1/2001 Bachman ..... D24/111  
D467,334 S \* 12/2002 Homma ..... D24/108  
D468,422 S \* 1/2003 McCurrach ..... D24/111  
D548,334 S \* 8/2007 Izumi ..... D24/111  
D625,406 S \* 10/2010 Seki ..... D24/111  
D669,978 S \* 10/2012 Gebski ..... D24/111  
D694,398 S \* 11/2013 Taylor ..... D24/108  
D702,830 S \* 4/2014 Hannah ..... D24/108  
D739,930 S \* 9/2015 Takenouchi ..... 604/118  
D764,051 S \* 8/2016 Wang ..... D24/111  
D795,419 S \* 8/2017 Kohler ..... D24/111

FIG. 1 is a front isometric view of an oral irrigator handle.  
FIG. 2 is a front elevation view thereof.  
FIG. 3 is a rear elevation view thereof.  
FIG. 4 is a left side elevation view thereof.  
FIG. 5 is a right side elevation view thereof.  
FIG. 6 is a top plan view thereof; and,  
FIG. 7 is a bottom plan view thereof.  
The broken line showing oral irrigator tip illustrates envi-  
ronment that forms no part of the claimed design. All other  
broken lines illustrate portions of the oral irrigator handle  
that form no part of the claimed design.

**1 Claim, 4 Drawing Sheets**



(56)

**References Cited**

U.S. PATENT DOCUMENTS

10,039,883 B2 \* 8/2018 Osman ..... A61M 5/3129  
 D840,022 S \* 2/2019 Porter ..... D24/111  
 D851,239 S \* 6/2019 Chen ..... D24/111  
 D859,643 S \* 9/2019 Li ..... D24/111  
 D873,025 S \* 1/2020 Kim ..... D4/101  
 D877,324 S \* 3/2020 Massie ..... D24/111  
 D881,582 S \* 4/2020 Smigel ..... D4/101  
 2012/0169481 A1 \* 7/2012 Tydlaska ..... A61B 1/267  
 340/12.5  
 2015/0122252 A1 \* 5/2015 Frija ..... A61M 15/0081  
 128/202.21

FOREIGN PATENT DOCUMENTS

CN ZL201430002979.7 S 9/2014  
 CN 304439106 \* 1/2018  
 EM 002484337-0001 6/2014

OTHER PUBLICATIONS

Oral B 500 video review, Youtube upload date 2017, site visited  
 May 24, 2020, <https://www.youtube.com/watch?v=BUYFuURv0nQ>.\*

Oral-B Genius Pro 8000 Toothbrush, Newegg.com reviews 2019,  
<https://www.newegg.com/p/06K-00KF-000E9>, site visited May 24,  
 2020.\*

Oral Irrigator Flosser Cleaner, Wish website reviews 2020, site  
 visited May 24, 2020, [https://www.wish.com/...urr=USD&ad\\_](https://www.wish.com/...urr=USD&ad_price=5.58&campaign_id=7203534630&gclid=EAlalQobChMlieWOrNjN6QIVlrICh3nXQI1EAQYAyABEgKaBPD_BwE&hide_login_modal=true&share=web)  
[price=5.58&campaign\\_id=7203534630&gclid=](https://www.wish.com/...urr=USD&ad_price=5.58&campaign_id=7203534630&gclid=EAlalQobChMlieWOrNjN6QIVlrICh3nXQI1EAQYAyABEgKaBPD_BwE&hide_login_modal=true&share=web)  
[EAlalQobChMlieWOrNjN6QIVlrICh3nXQI1EAQYAyABEgKaBPD\\_](https://www.wish.com/...urr=USD&ad_price=5.58&campaign_id=7203534630&gclid=EAlalQobChMlieWOrNjN6QIVlrICh3nXQI1EAQYAyABEgKaBPD_BwE&hide_login_modal=true&share=web)  
[BwE&hide\\_login\\_modal=true&share=web](https://www.wish.com/...urr=USD&ad_price=5.58&campaign_id=7203534630&gclid=EAlalQobChMlieWOrNjN6QIVlrICh3nXQI1EAQYAyABEgKaBPD_BwE&hide_login_modal=true&share=web).\*

\* cited by examiner

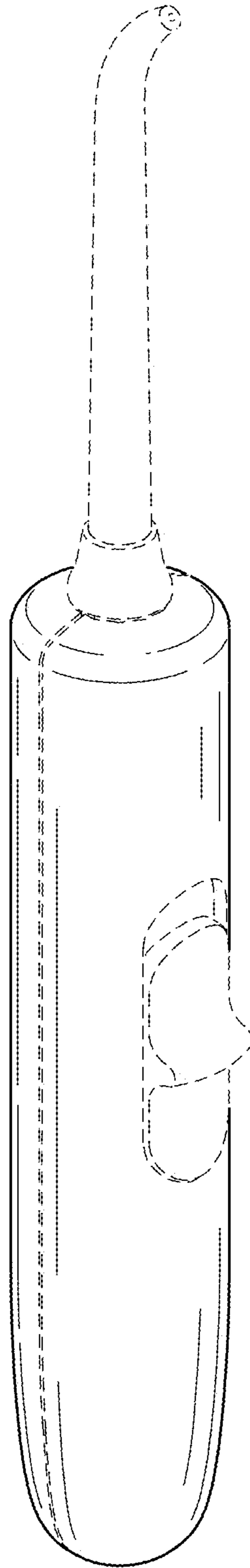


FIG. 1

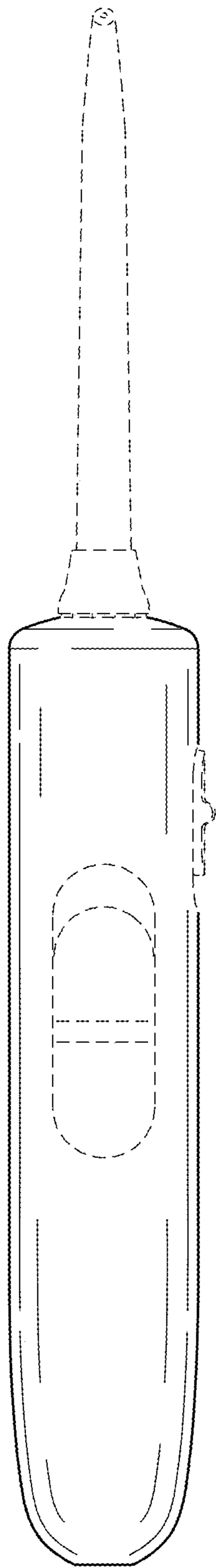


FIG. 2

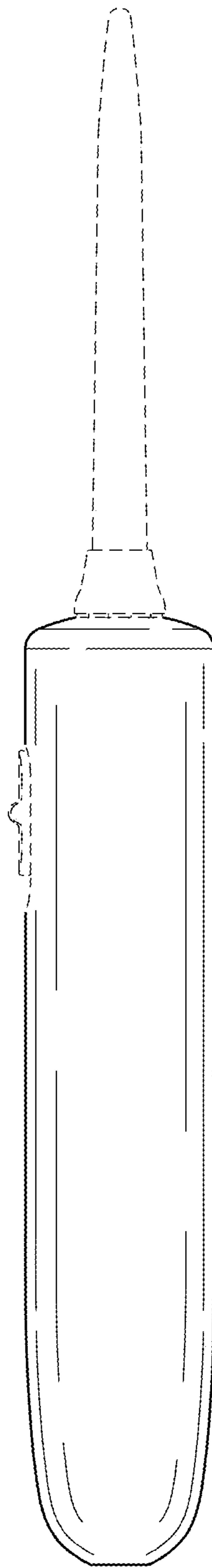


FIG. 3

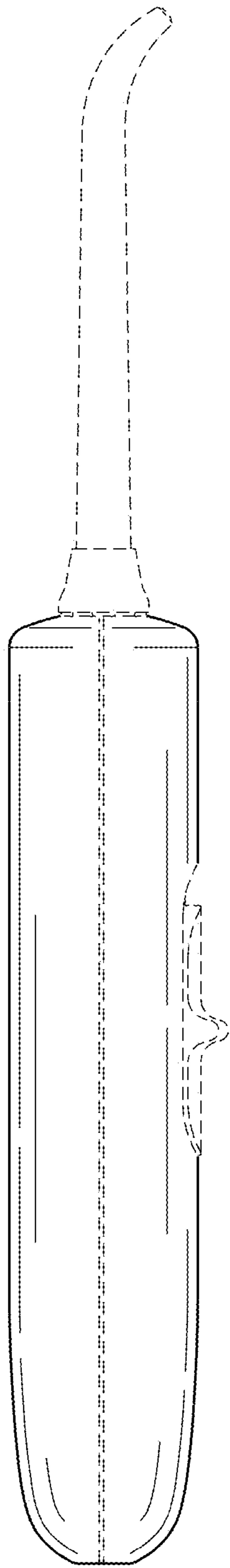


FIG. 4

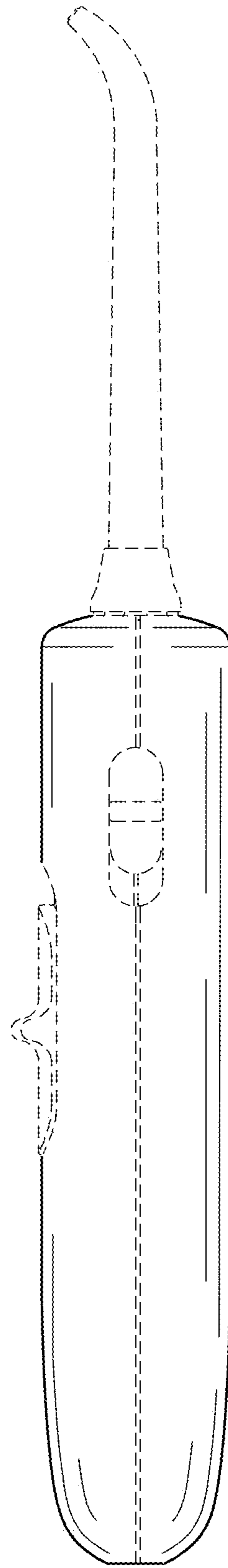


FIG. 5

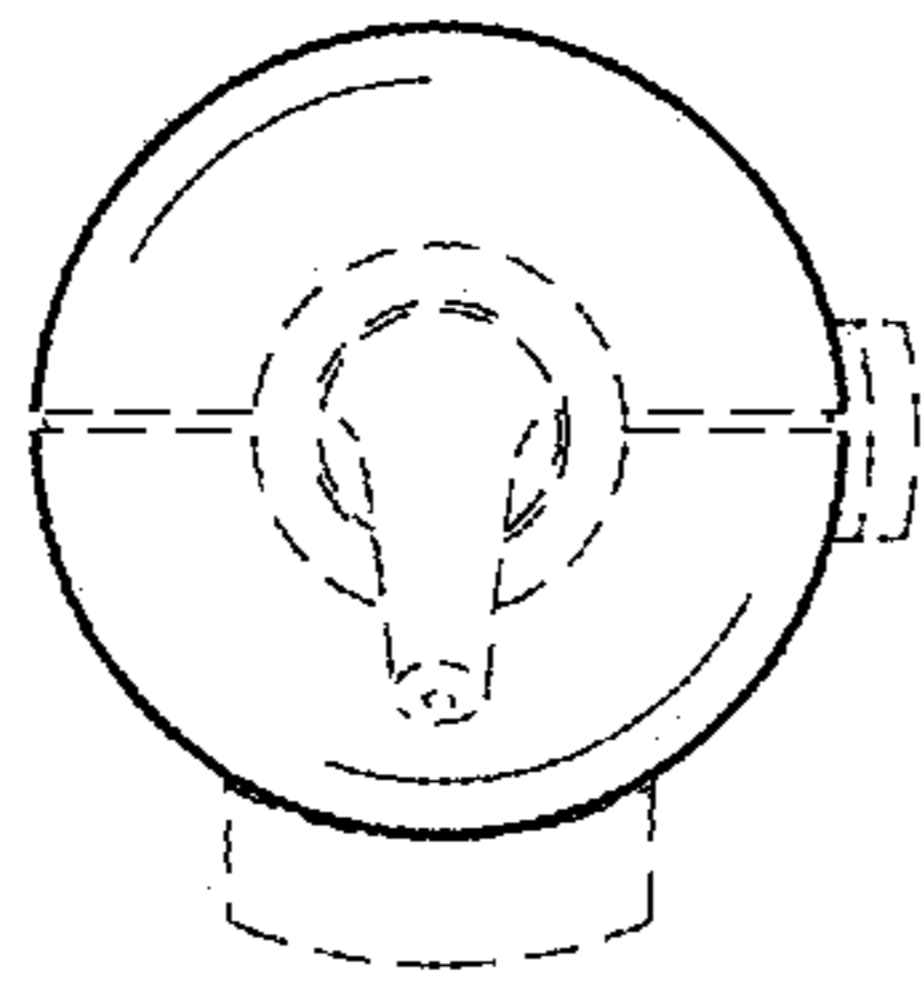


FIG. 6

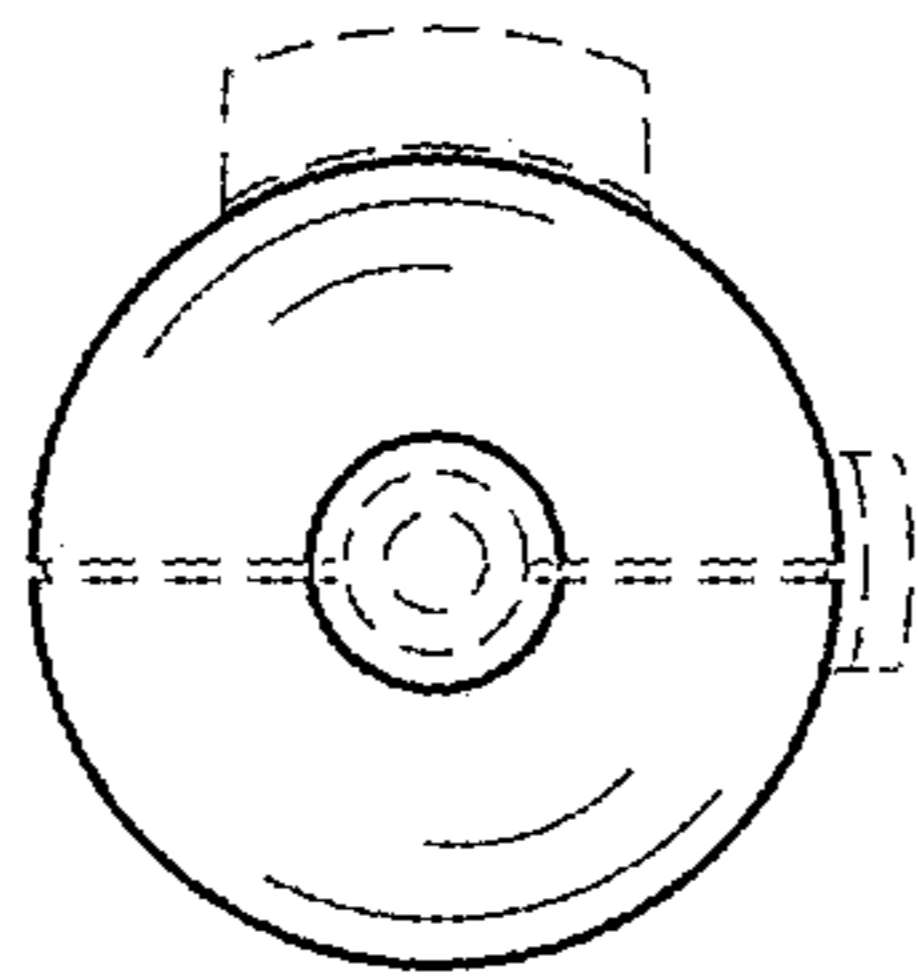


FIG. 7