



US00D912799S

(12) **United States Design Patent** (10) **Patent No.:** **US D912,799 S**
Kaye et al. (45) **Date of Patent:** **** *Mar. 9, 2021**

(54) **VOLATILE ACTIVE DIFFUSER** 7,992,801 B2 * 8/2011 Jorgensen A61L 9/03
239/102.1

(71) Applicant: **Henkel IP & Holding GmbH,** D692,547 S * 10/2013 Wirz D23/366
Duesseldorf (DE) D692,551 S * 10/2013 Wirz D23/366
D720,063 S * 12/2014 Li D23/366

(72) Inventors: **Glenn W. Kaye,** Norwalk, CT (US); D732,653 S * 6/2015 Hsiao D23/366
Anne Elizabeth Lindert Nixon, La D735,314 S * 7/2015 Benamor D23/366
Grange, KY (US); **Robert J. Stave,** D772,391 S * 11/2016 Zimmerli D23/366
Ridgefield, CT (US) D840,013 S * 2/2019 Zhang D23/366
D876,655 S * 2/2020 Lin D24/200
D878,528 S * 3/2020 Fu D23/356

(73) Assignee: **Henkel IP & Holding GmbH,** 2008/0279731 A1 * 11/2008 Goreham A61L 9/037
Duesseldorf (DE) 422/125
2014/0072286 A1 * 3/2014 Hsiao A61L 9/03
392/390

(*) Notice: This patent is subject to a terminal disclaimer. 2015/0117056 A1 * 4/2015 Hsiao G02B 6/0045
362/611

(**) Term: **15 Years**

(21) Appl. No.: **29/695,135**

(22) Filed: **Jun. 17, 2019**

(51) **LOC (13) Cl.** **23-01**

(52) **U.S. Cl.**
USPC **D23/366**

(58) **Field of Classification Search**
USPC D23/355, 356, 358, 359, 360, 364, 366;
D7/316, 505; D9/435, 444, 504, 519,
D9/529, 686; D11/131.1; D28/89;
D99/5
CPC . A61L 9/03; A61L 9/012; A61L 9/015; A61L
9/037; F41J 1/01
See application file for complete search history.

(56) **References Cited**

U.S. PATENT DOCUMENTS

3,781,164 A * 12/1973 McCaffery F21V 35/00
431/291
D613,844 S * 4/2010 Jorgensen D23/366

* cited by examiner

Primary Examiner — John A Voytek

(74) *Attorney, Agent, or Firm* — Bojuan Deng

(57) **CLAIM**

The ornamental design for a volatile active diffuser, as shown and described.

DESCRIPTION

FIG. 1 is a front perspective view of a volatile active diffuser embodying the new design;

FIG. 2 is a front side elevation view thereof;

FIG. 3 is a rear side elevation view thereof;

FIG. 4 is a right side elevation view thereof;

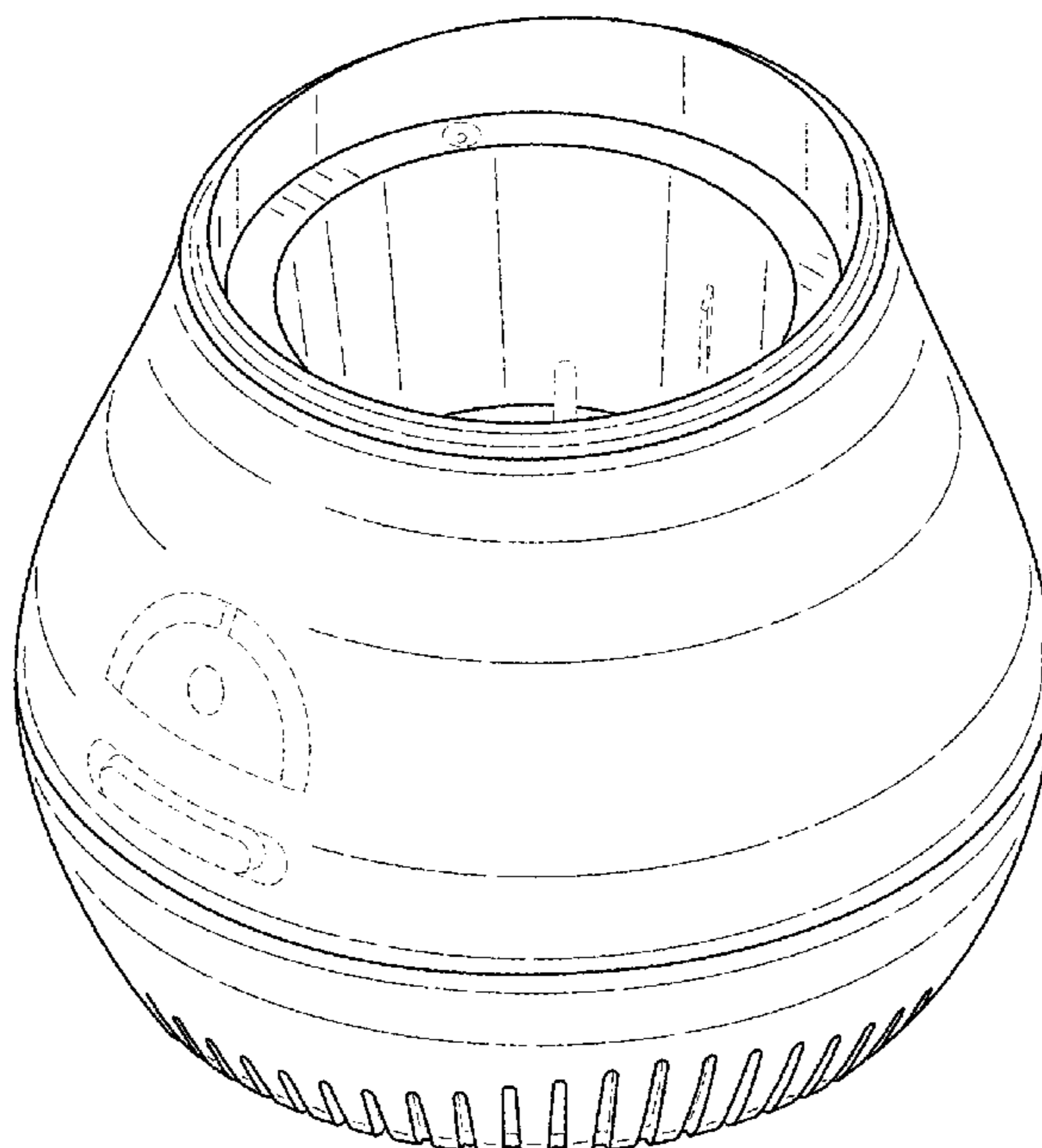
FIG. 5 is a left side elevation view thereof;

FIG. 6 is a top plan view thereof; and,

FIG. 7 is a bottom plan view thereof.

The broken lines are included for the purpose of illustrating the portions of the volatile active diffuser that form no part of the claimed design.

1 Claim, 7 Drawing Sheets



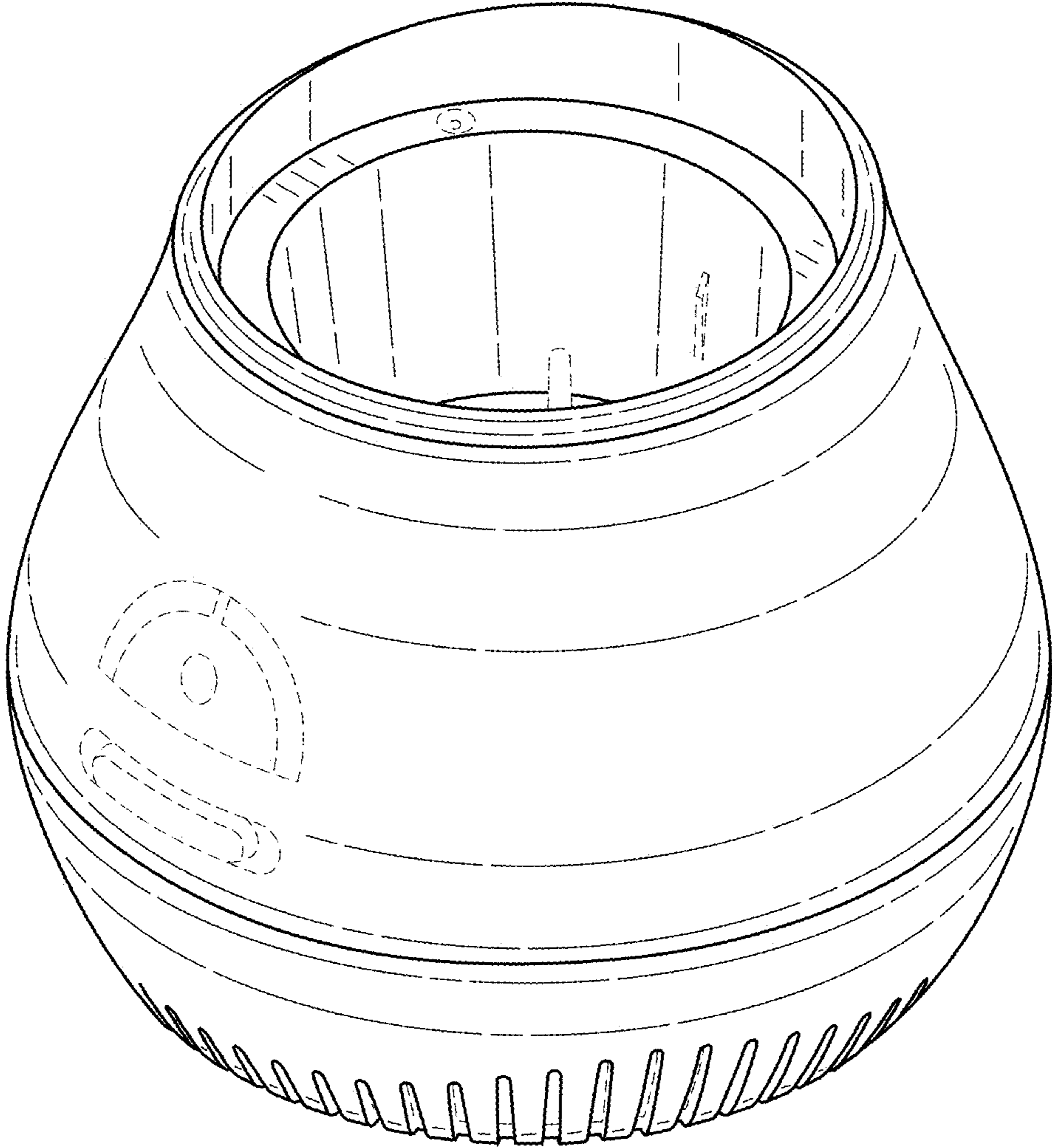


FIG. 1

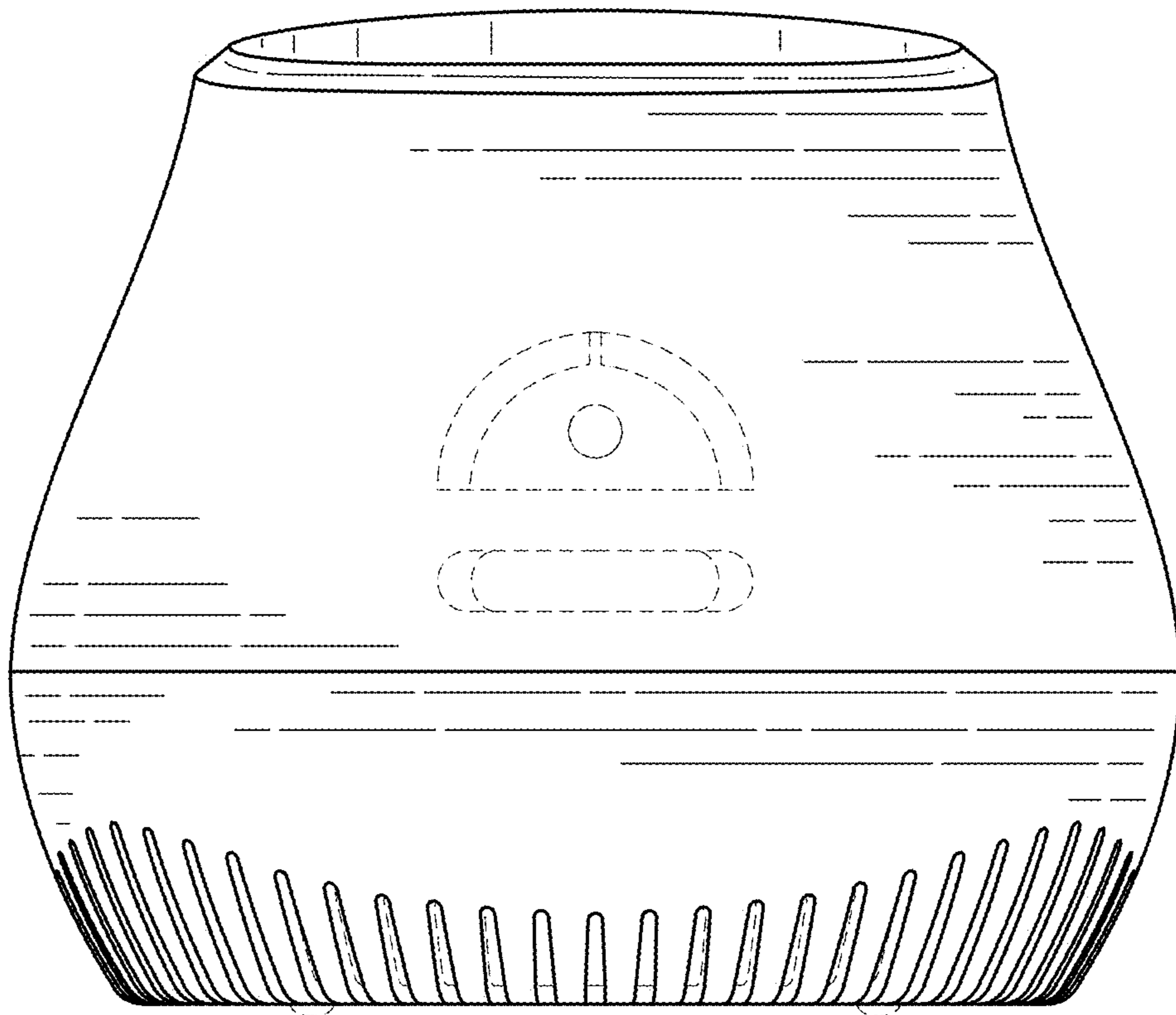


FIG. 2

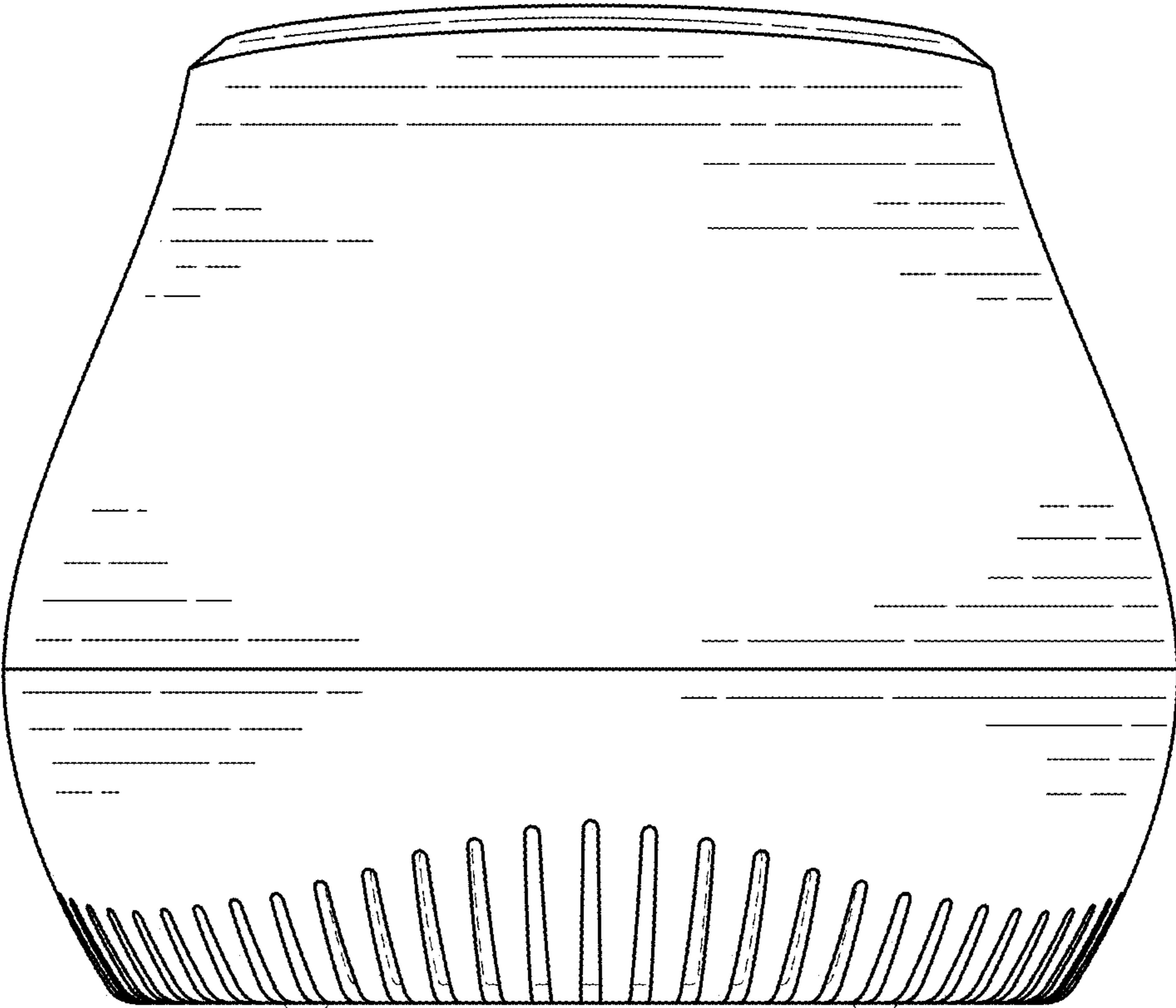


FIG. 3

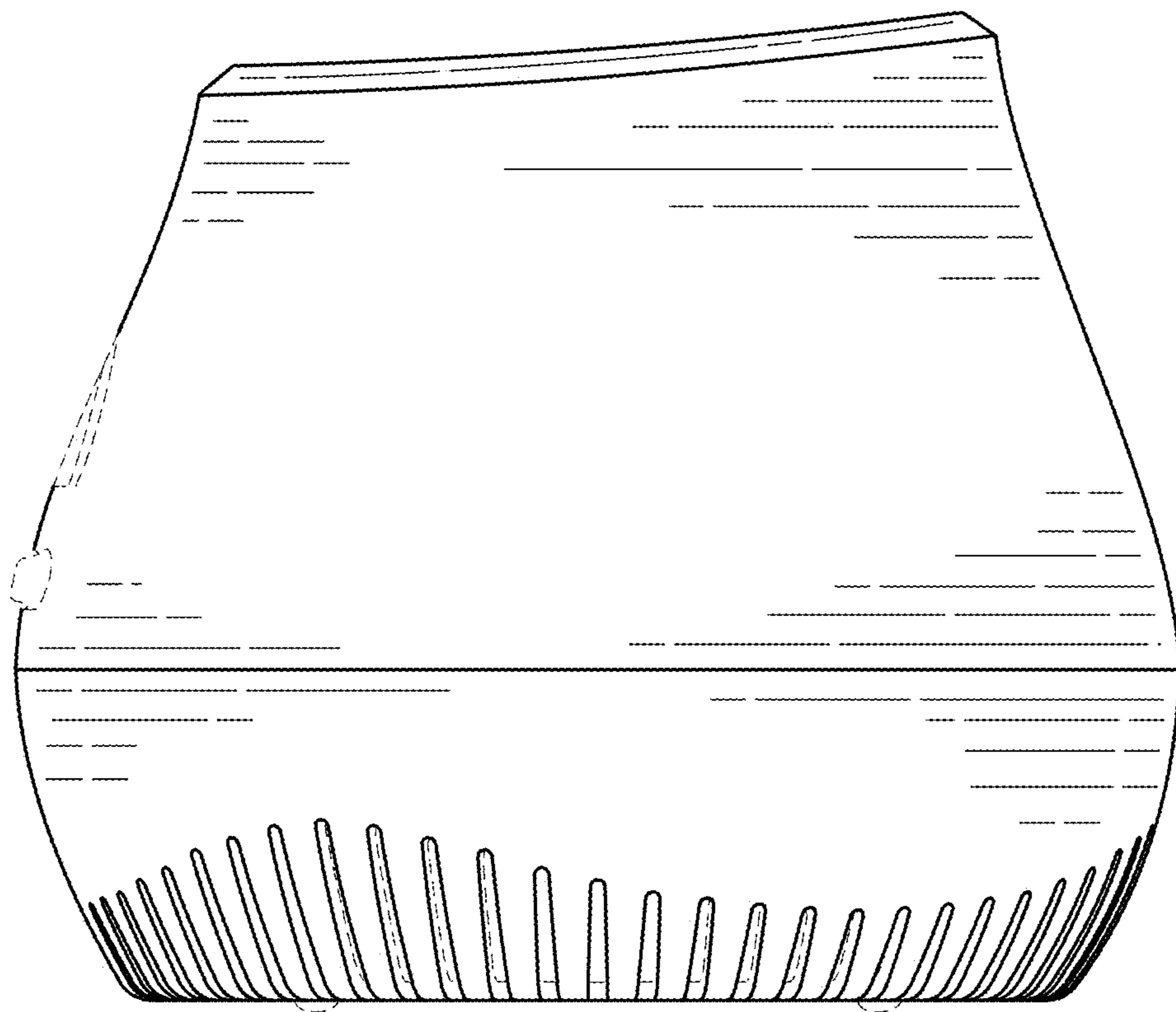


FIG. 4

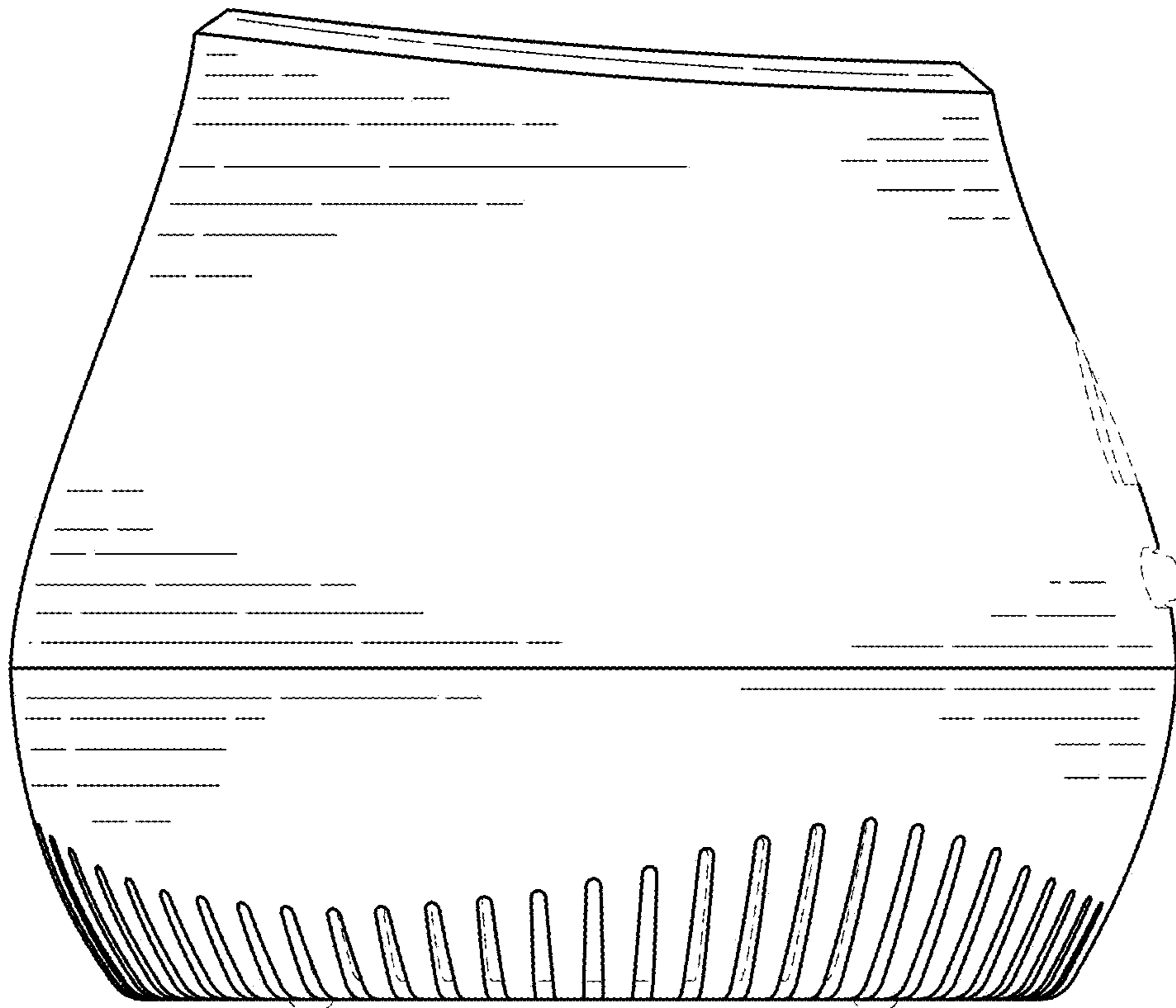


FIG. 5

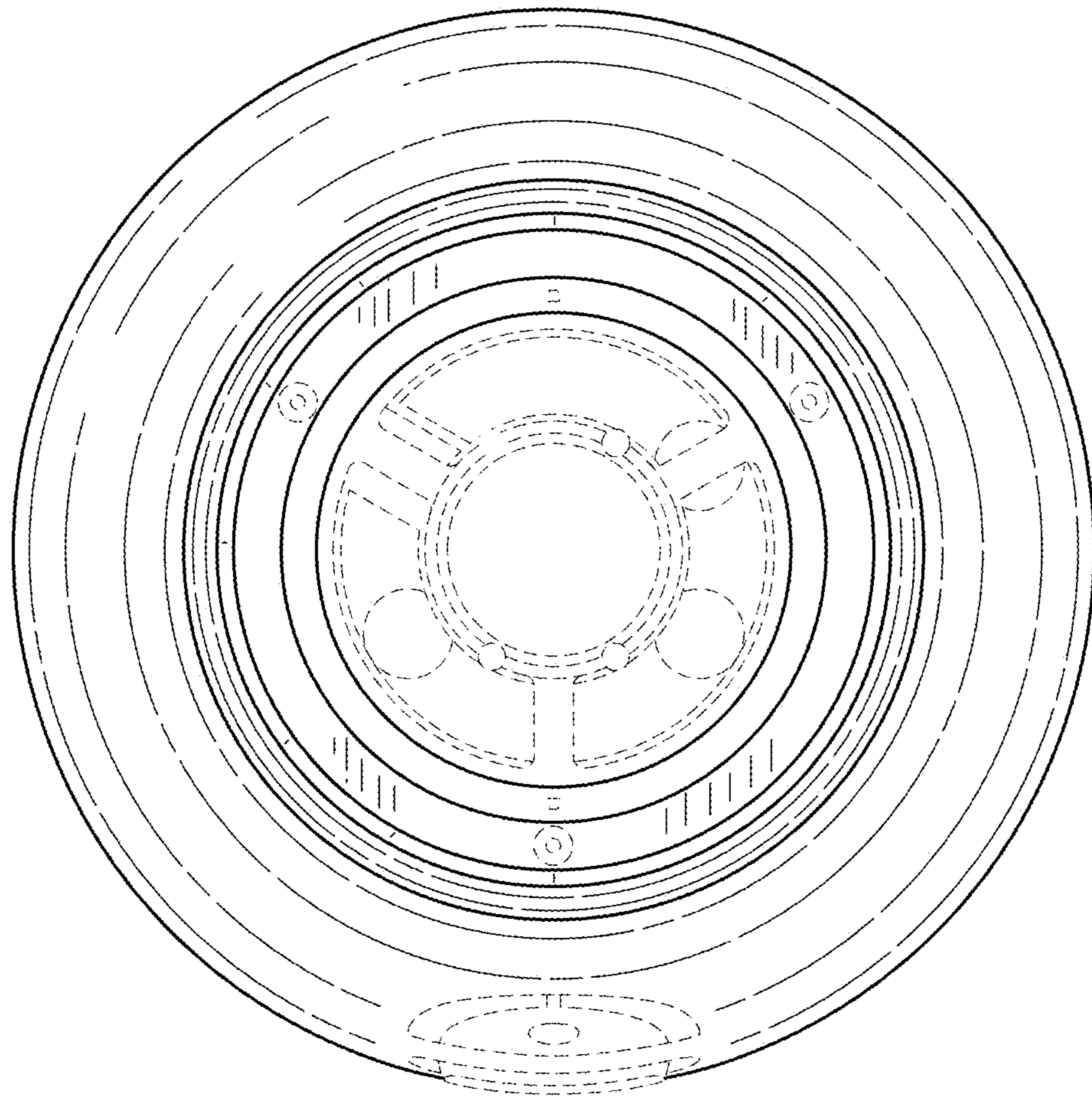


FIG. 6

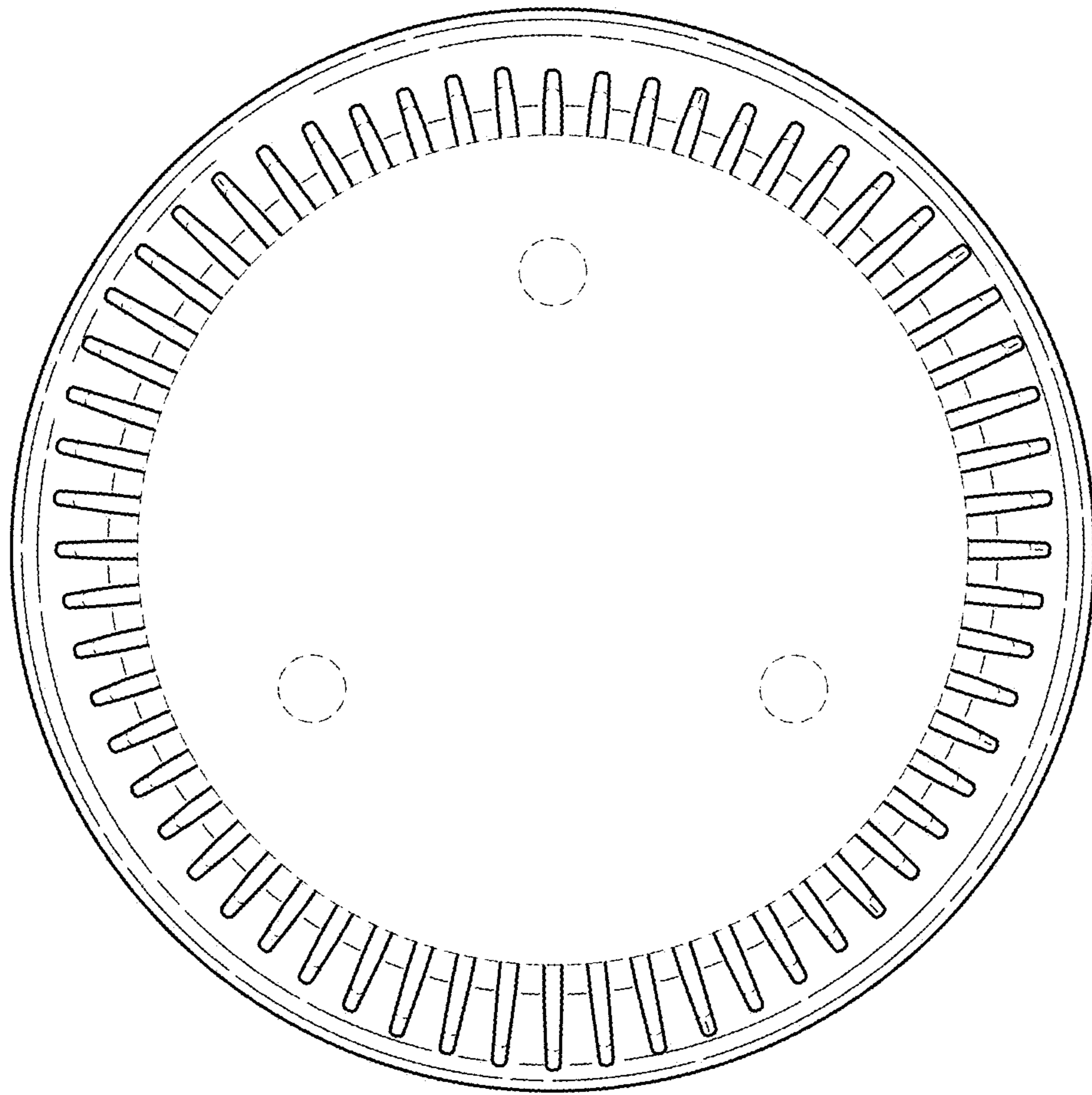


FIG. 7