



US00D912798S

(12) **United States Design Patent**  
**Oura**

(10) **Patent No.:** **US D912,798 S**

(45) **Date of Patent:** **\*\* Mar. 9, 2021**

(54) **DEODORIZING MACHINE**  
(71) Applicant: **SUNSTAR ENGINEERING INC.,**  
Takatsuki (JP)  
(72) Inventor: **Issei Oura,** Osaka (JP)  
(73) Assignee: **SUNSTAR ENGINEERING INC.,**  
Takatsuki (JP)

(\*\*) Term: **15 Years**

(21) Appl. No.: **29/694,328**

(22) Filed: **Jun. 10, 2019**

(30) **Foreign Application Priority Data**

Dec. 10, 2018 (JP) ..... 2018-026854  
Dec. 10, 2018 (JP) ..... 2018-026855

(51) **LOC (13) Cl.** ..... **23-04**

(52) **U.S. Cl.**  
USPC ..... **D23/366**

(58) **Field of Classification Search**  
USPC ..... D23/355, 356, 358, 359, 360, 364, 366;  
D7/316, 505; D9/435, 444, 504, 519,  
D9/529, 686; D11/131.1; D28/89;  
D99/5  
CPC . A61L 9/03; A61L 9/012; A61L 9/015; A61L  
9/037; F41J 1/01  
See application file for complete search history.

(56) **References Cited**

**U.S. PATENT DOCUMENTS**

D409,330 S \* 5/1999 Putnam ..... D27/190  
D639,166 S \* 6/2011 Carreno ..... D9/504  
D659,819 S \* 5/2012 Edwards ..... D24/110  
D788,897 S \* 6/2017 Lee ..... D23/356

D823,537 S \* 7/2018 Beaver ..... D27/191  
D832,414 S \* 10/2018 Sharma ..... D23/364  
D834,694 S \* 11/2018 Walter ..... D23/366  
D836,189 S \* 12/2018 Jakins ..... D23/366  
D836,760 S \* 12/2018 Fredang ..... D23/364  
D845,456 S \* 4/2019 Swanson ..... D23/359  
D849,218 S \* 5/2019 Liang ..... D23/356  
D850,595 S \* 6/2019 Li ..... D23/366  
D850,596 S \* 6/2019 Wu ..... D23/366  
D854,134 S \* 7/2019 Jessup ..... D23/364  
D870,870 S \* 12/2019 Copparstad ..... D23/351  
D871,844 S \* 1/2020 Adams, Jr. .... D7/510  
D881,367 S \* 4/2020 Kihm ..... D23/366  
2018/0161471 A1 \* 6/2018 Davis ..... H04W 4/80

\* cited by examiner

*Primary Examiner* — John A Voytek

(74) *Attorney, Agent, or Firm* — Westerman, Hattori,  
Daniels & Adrian

(57) **CLAIM**

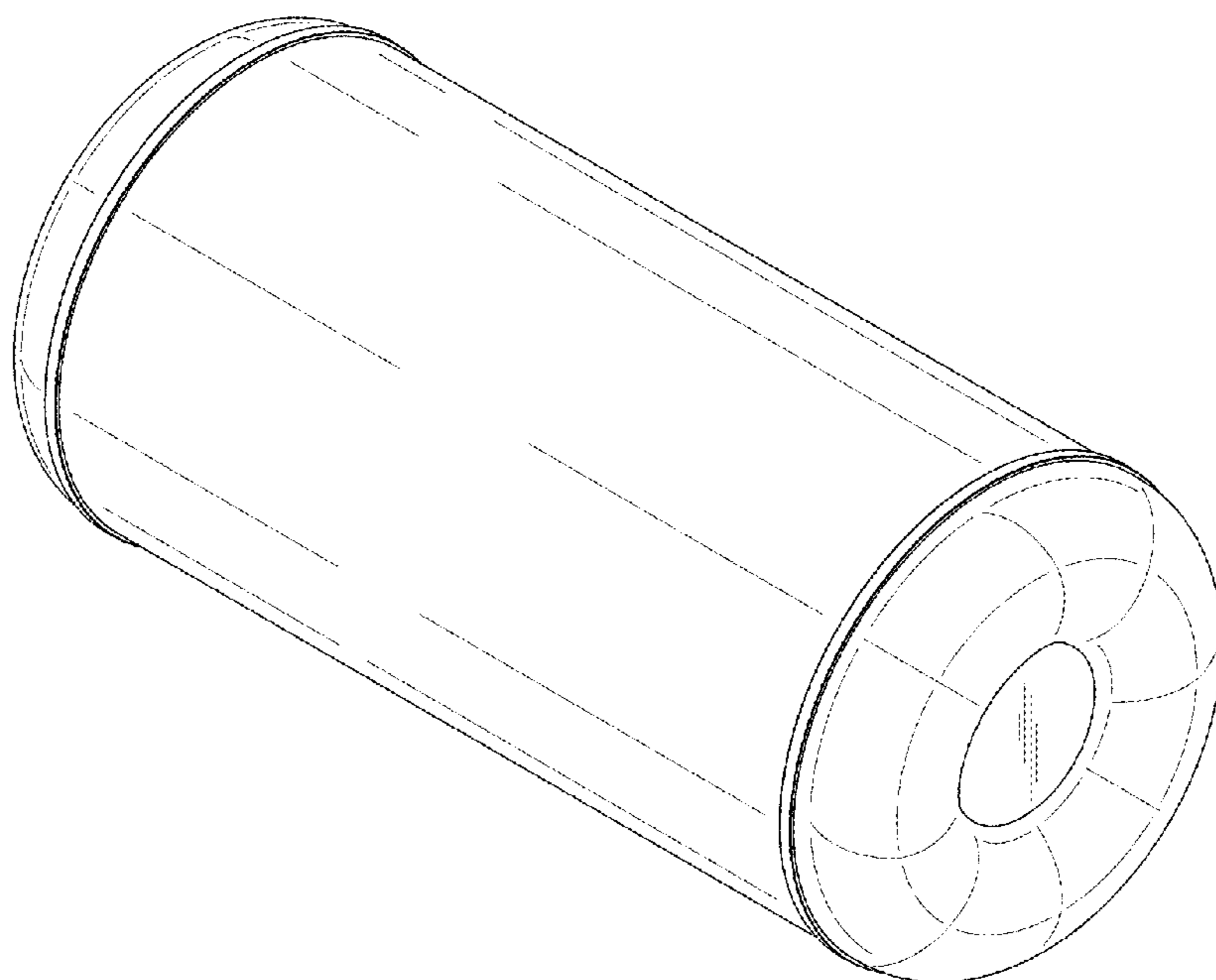
The ornamental design for a deodorizing machine, as shown  
and described.

**DESCRIPTION**

FIG. 1 is a perspective view of a deodorizing machine,  
showing my new design.  
FIG. 2 is a front elevational view thereof.  
FIG. 3 is a rear elevational view thereof.  
FIG. 4 is a right side elevational view thereof.  
FIG. 5 is a left side elevational view thereof.  
FIG. 6 is a top plan view thereof.  
FIG. 7 is a bottom plan view thereof; and,  
FIG. 8 is a cross-sectional view, taken along line 8-8 of FIG.  
4.

The broken line portions of the design are included to show  
unclaimed portions and form no part of the claimed design.

**1 Claim, 8 Drawing Sheets**



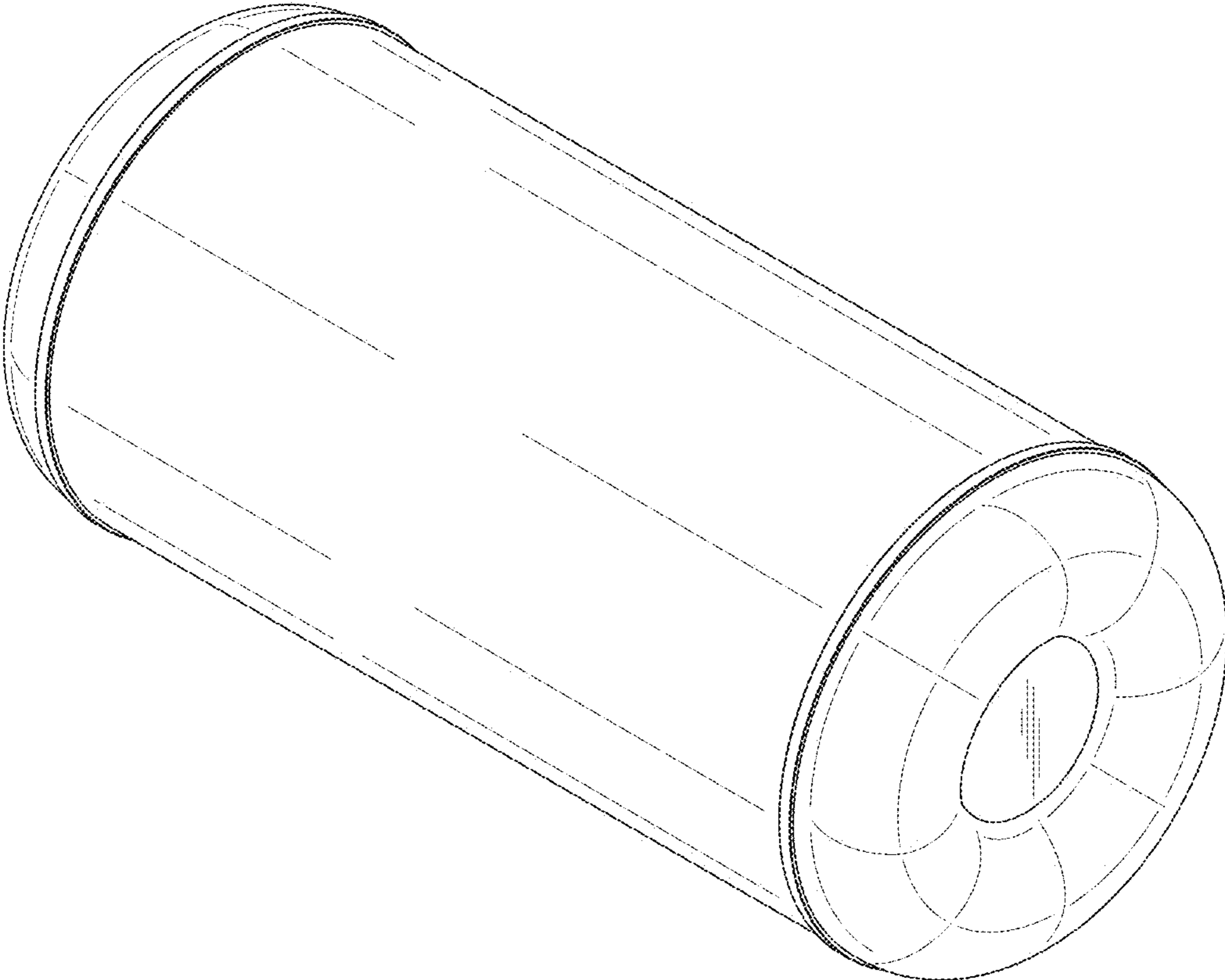


FIG. 1

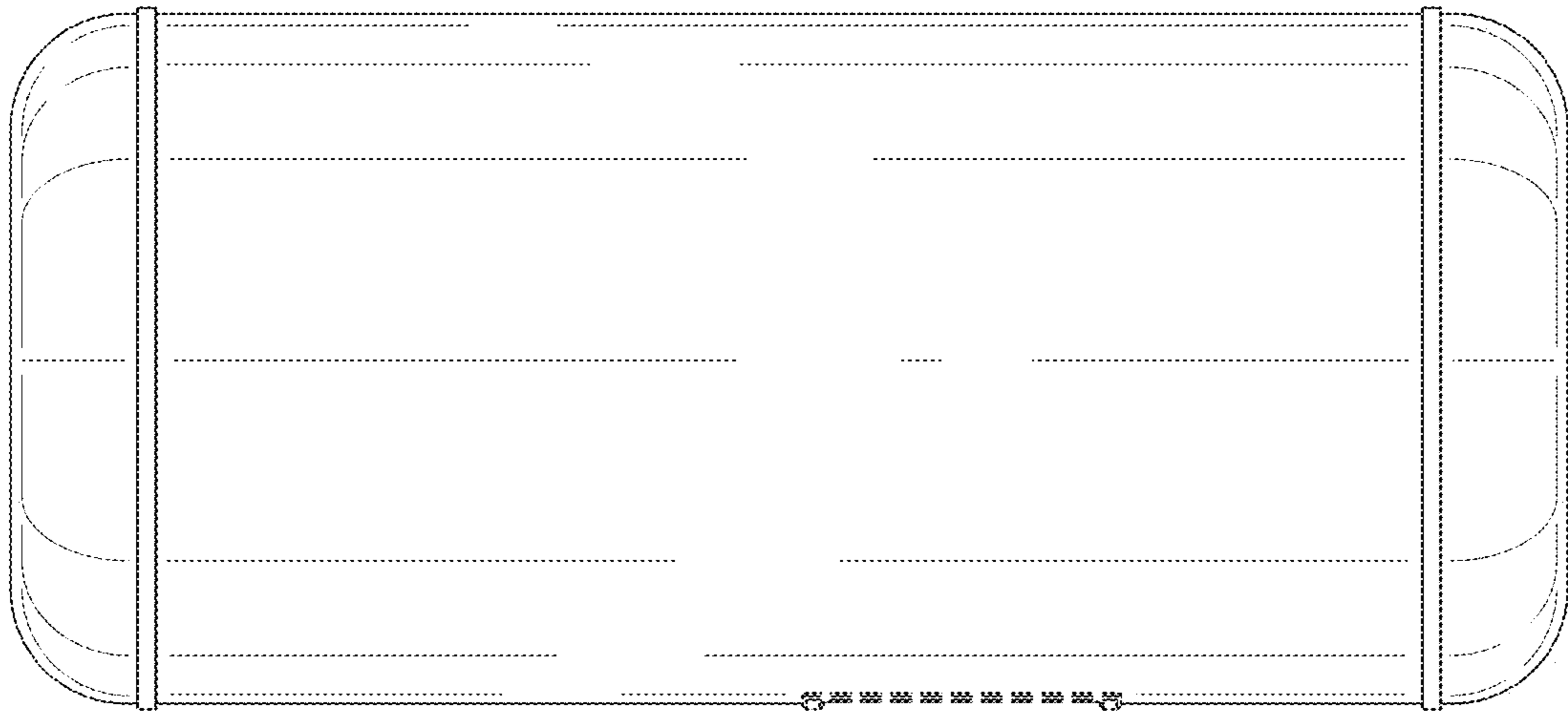


FIG. 2

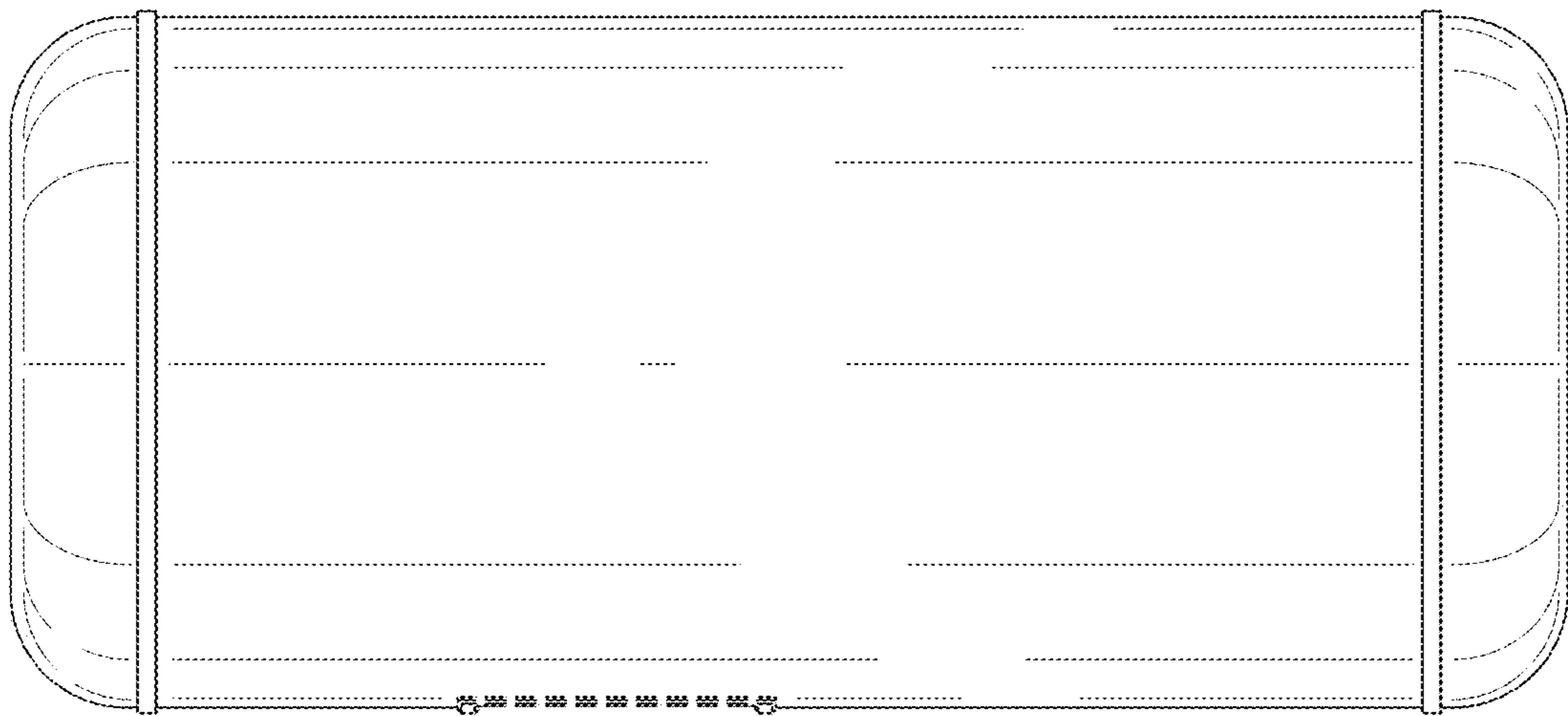


FIG. 3

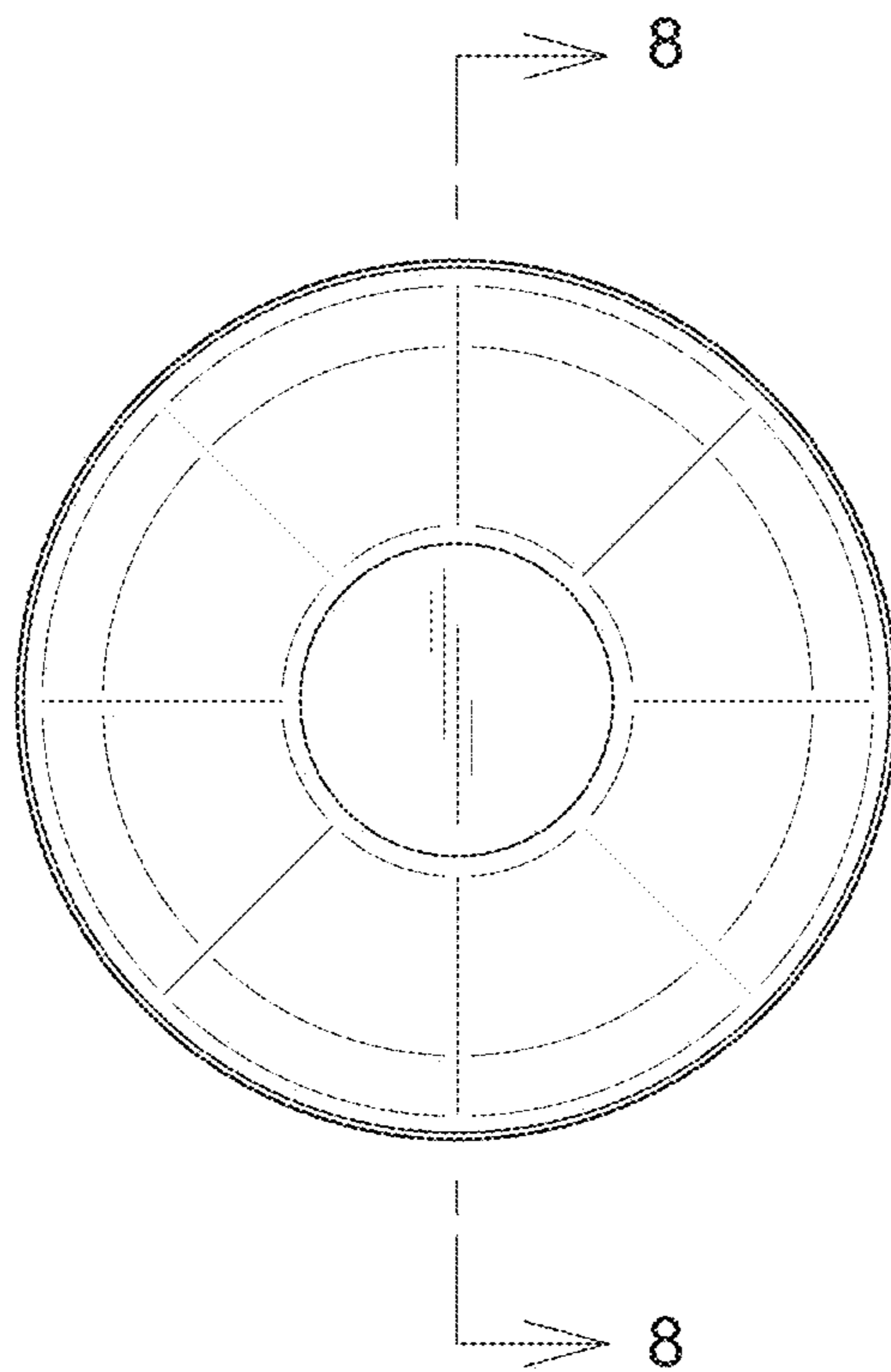


FIG. 4

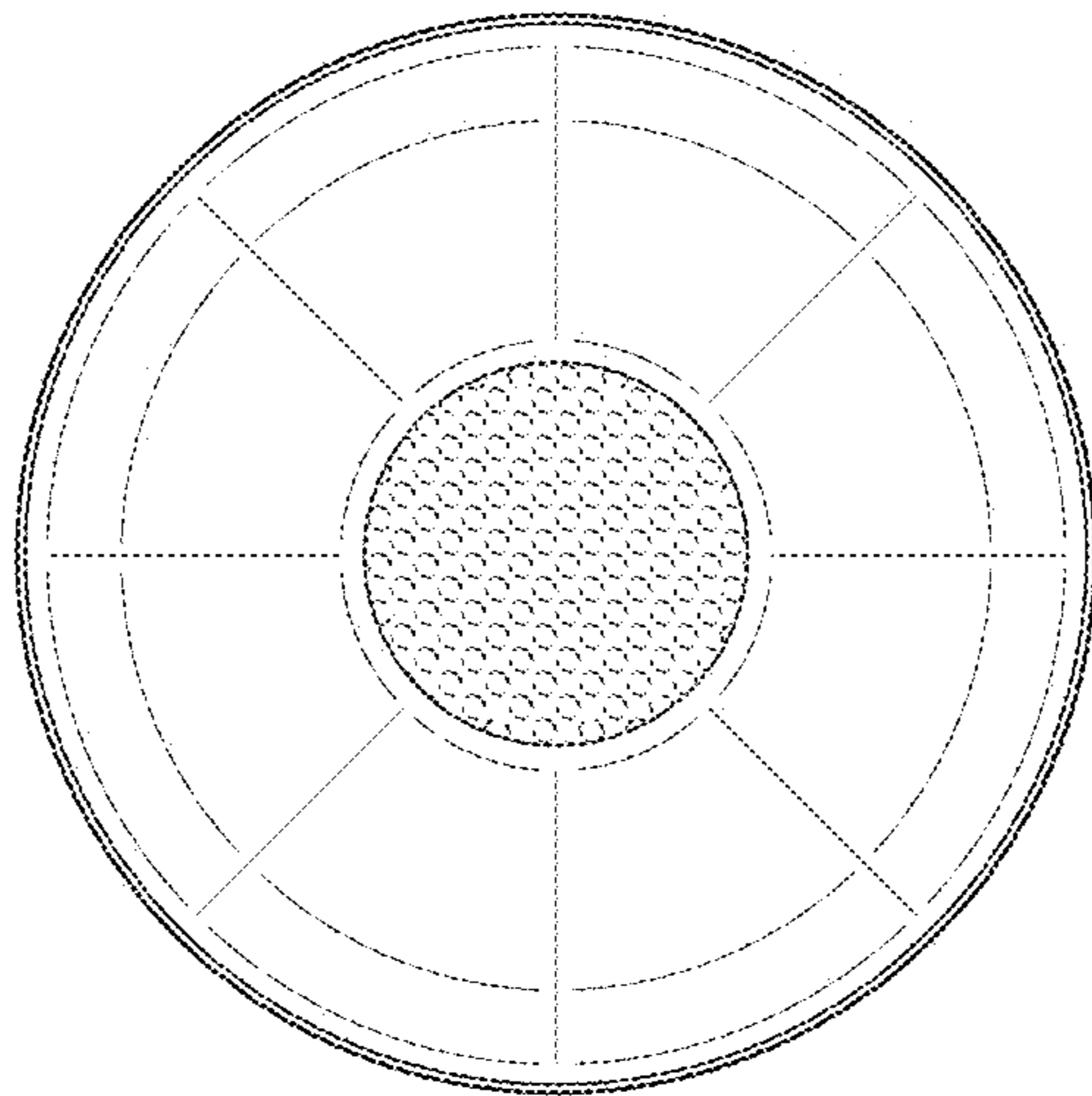


FIG. 5

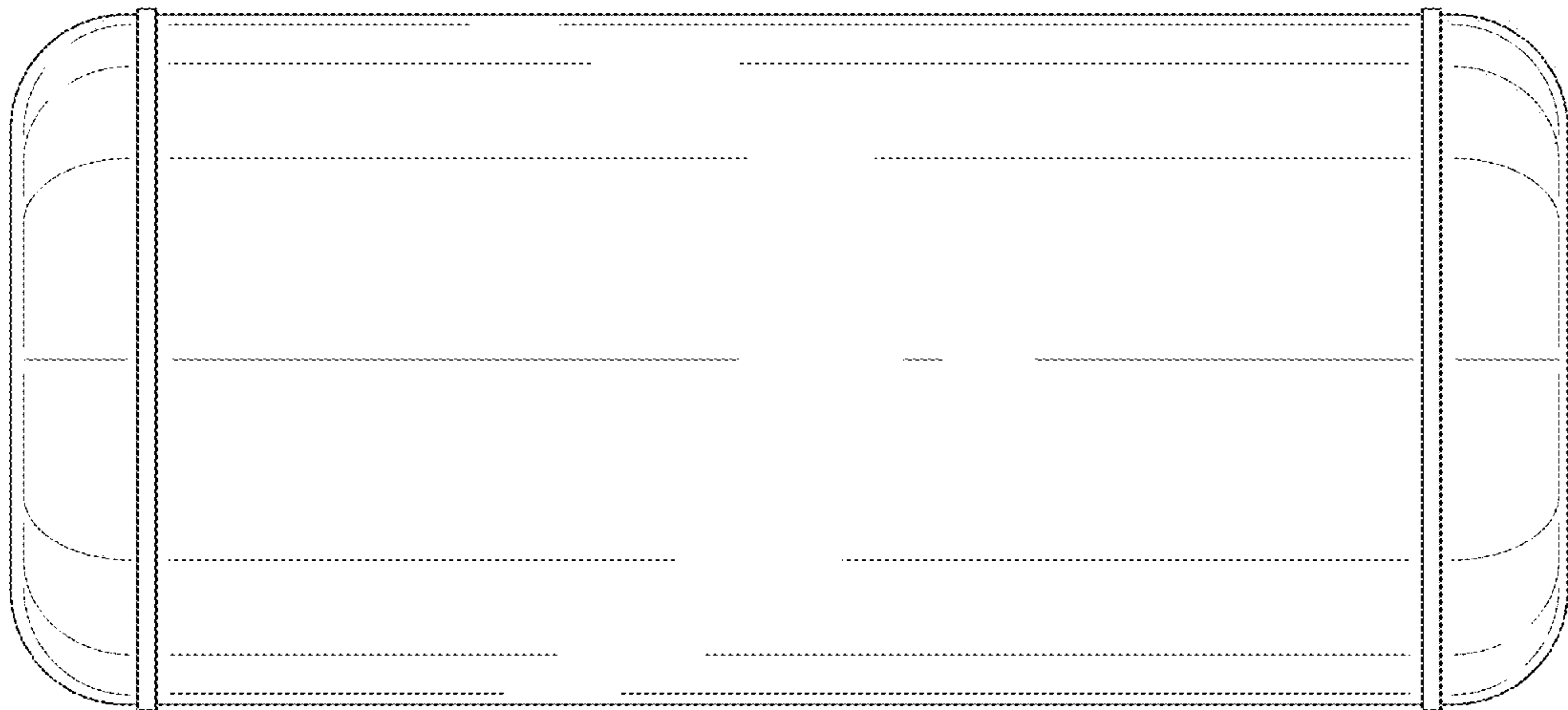


FIG. 6

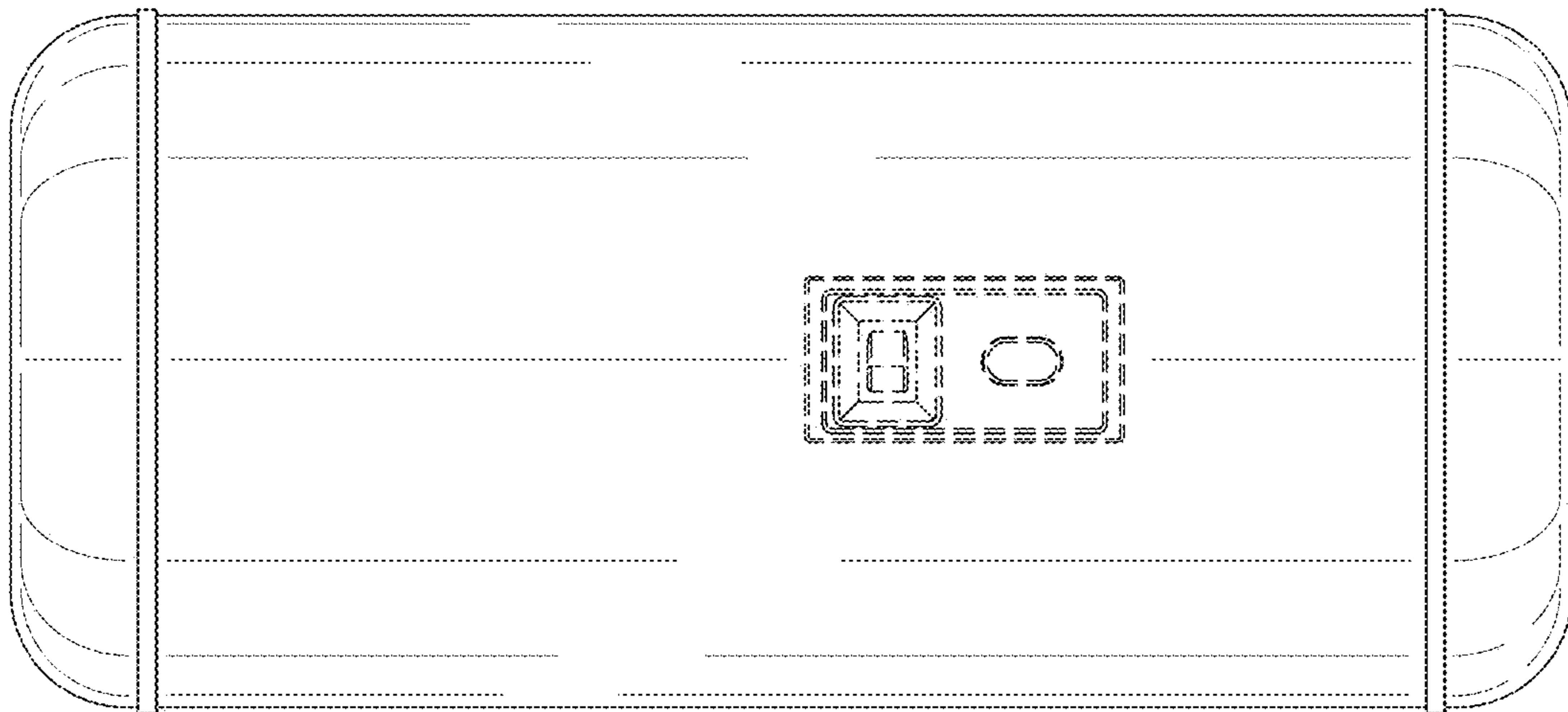


FIG. 7



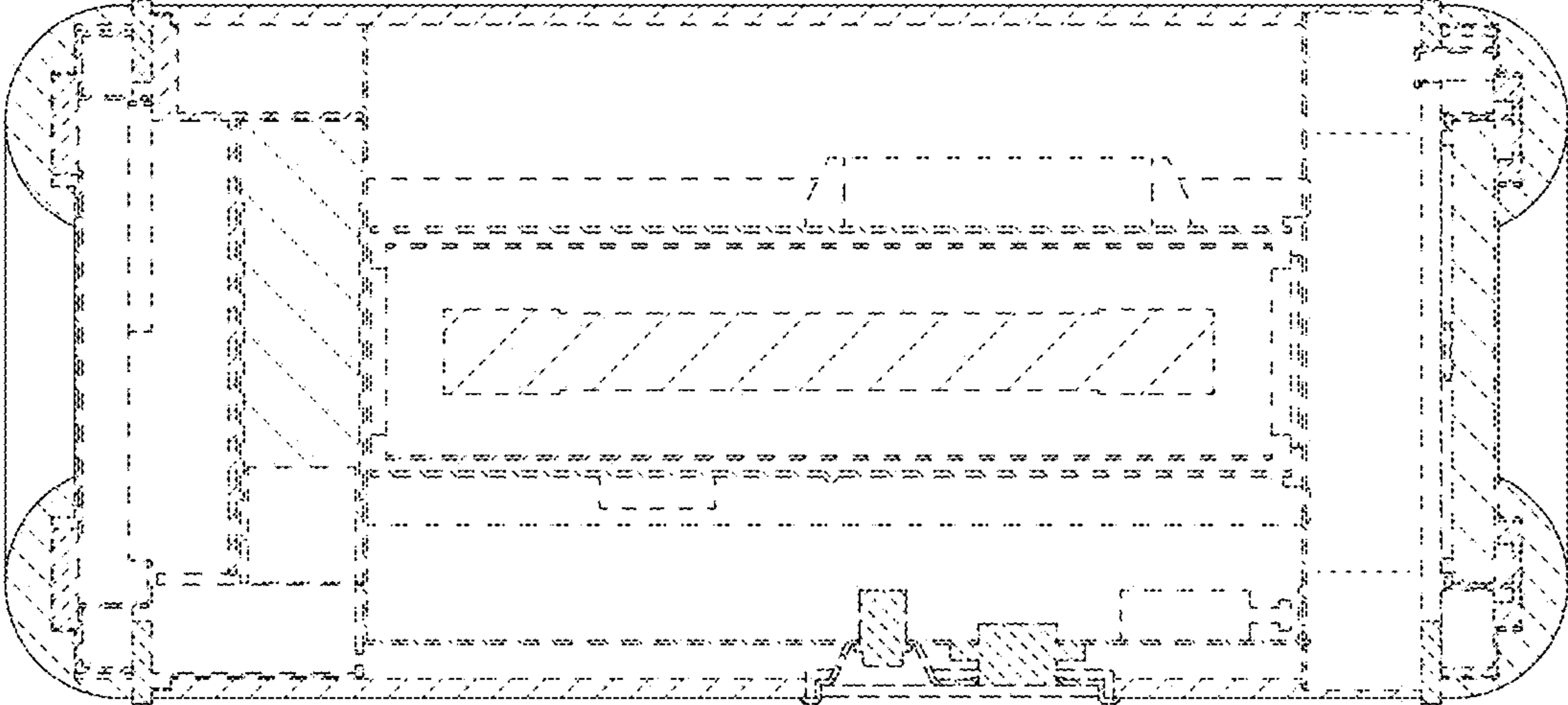


FIG. 8