



US00D912797S

(12) **United States Design Patent** (10) **Patent No.:** **US D912,797 S**
Gallen et al. (45) **Date of Patent:** **** Mar. 9, 2021**

(54) **AIR FRESHENER**
(71) Applicant: **Energizer Brands II, LLC**, St. Louis, MO (US)
(72) Inventors: **Matthew R. Gallen**, Parma, OH (US); **Christopher Bourne**, Painesville, OH (US)
(73) Assignee: **ENERGIZER BRANDS II, LLC**, St. Louis, MO (US)
(**) Term: **15 Years**
(21) Appl. No.: **29/681,920**
(22) Filed: **Feb. 28, 2019**
(51) **LOC (13) Cl.** **23-04**
(52) **U.S. Cl.**
USPC **D23/366**
(58) **Field of Classification Search**
USPC D23/201, 208, 355-369, 386; D11/3, 7, D11/9, 10; D28/8.1; D7/602; D9/416, D9/425, 428, 430
CPC A61L 9/02; A61L 9/03; A61L 9/12; A61L 9/035; A61L 9/125; A61L 2209/131
See application file for complete search history.

(56) **References Cited**
U.S. PATENT DOCUMENTS
D252,280 S * 7/1979 Riley D23/202
D474,535 S 5/2003 Farmer
D476,071 S 6/2003 Farmer
D497,038 S * 10/2004 Tsai D28/85
D511,568 S 11/2005 Wheatley
D514,679 S 2/2006 Wheatley
D532,094 S * 11/2006 Hundertmark D23/366
D535,379 S * 1/2007 Hundertmark D23/366
D567,918 S * 4/2008 Hundertmark D23/366
D594,954 S 6/2009 Wheatley
D598,531 S 8/2009 Irvin

D607,983 S 1/2010 Irvin
7,687,037 B2 3/2010 Wheatley et al.
D622,606 S * 8/2010 Masotti D9/561
D640,358 S 6/2011 Irvin
D640,359 S 6/2011 Irvin
D650,892 S 12/2011 Wheatley et al.
8,147,761 B2 4/2012 Wheatley et al.
D660,950 S 5/2012 Finlay
D664,246 S 7/2012 Irvin et al.
8,251,299 B1 8/2012 Irvin
D684,675 S 6/2013 Irvin et al.
8,485,454 B1 7/2013 Irvin et al.
D689,181 S 9/2013 Irvin et al.
D695,102 S * 12/2013 Keberlein D9/416
8,673,223 B1 3/2014 Finlay
D705,608 S * 5/2014 Wolhendler D7/523
D711,521 S 8/2014 Irvin et al.

(Continued)

Primary Examiner — Sheryl Lane
Assistant Examiner — Calvin E Vansant
(74) *Attorney, Agent, or Firm* — Armstrong Teasdale LLP

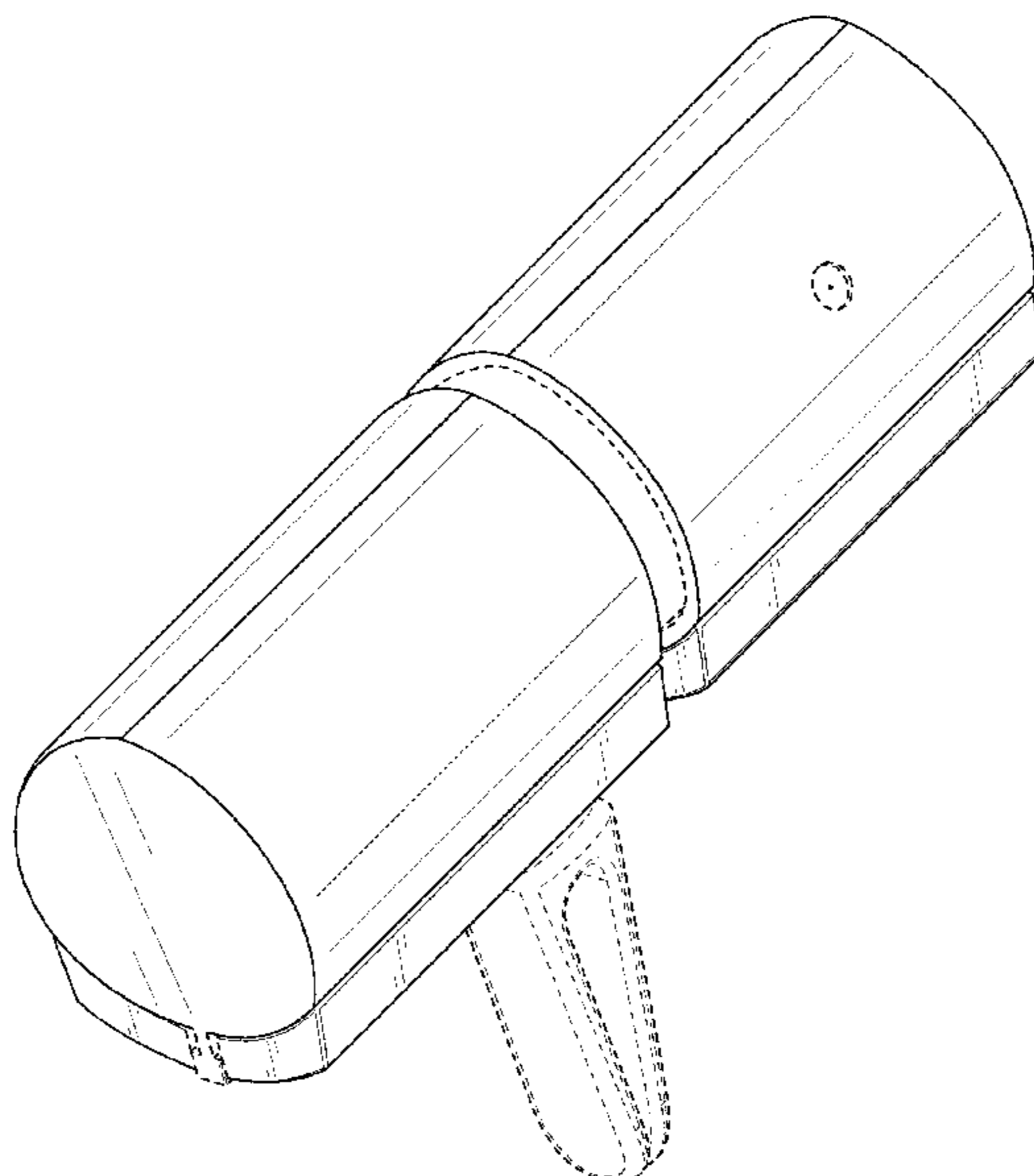
(57) **CLAIM**

The ornamental design for an air freshener, as shown and described.

DESCRIPTION

FIG. 1 is a top front perspective view of an air freshener showing our new design.
FIG. 2 is a bottom rear perspective view of the air freshener of FIG. 1.
FIG. 3 is a front view the air freshener of FIG. 1.
FIG. 4 is a back view of the air freshener of FIG. 1.
FIG. 5 is a left side view of the air freshener of FIG. 1.
FIG. 6 is a right side view of the air freshener of FIG. 1.
FIG. 7 is a top view of the air freshener of FIG. 1; and, FIG. 8 is a bottom view of the air freshener of FIG. 1.
The broken lines shown are provided for the purpose of illustrating environmental structure and form no part of the claimed design.

1 Claim, 8 Drawing Sheets



(56)

References Cited

U.S. PATENT DOCUMENTS

9,138,502 B2 9/2015 Irvin et al.
9,144,621 B1 9/2015 Finlay
9,155,811 B1 10/2015 Haymond
D754,834 S * 4/2016 Mosell D23/366
9,375,502 B2 6/2016 Irvin
D767,109 S * 9/2016 Gobber D23/368
D805,901 S * 12/2017 Fuchs D9/499
D806,222 S * 12/2017 Gobber D23/366
D813,979 S * 3/2018 Bruining D23/208
10,034,953 B2 7/2018 Bourne
10,232,683 B2 3/2019 Garcia
10,258,709 B2 4/2019 Bourne et al.
10,259,292 B2 4/2019 Irvin et al.
D864,375 S * 10/2019 Hu D23/366
D868,234 S * 11/2019 Lee D23/366
2004/0169091 A1 9/2004 Wheatley et al.
2013/0028798 A1 1/2013 Irvin et al.
2014/0113538 A1 4/2014 Irvin et al.
2015/0108243 A1 4/2015 Bourne
2015/0129677 A1 5/2015 Irvin
2017/0120729 A1 5/2017 Rasmussen
2018/0311393 A1 11/2018 Rasmussen et al.
2018/0311394 A1 11/2018 Cutler et al.

* cited by examiner

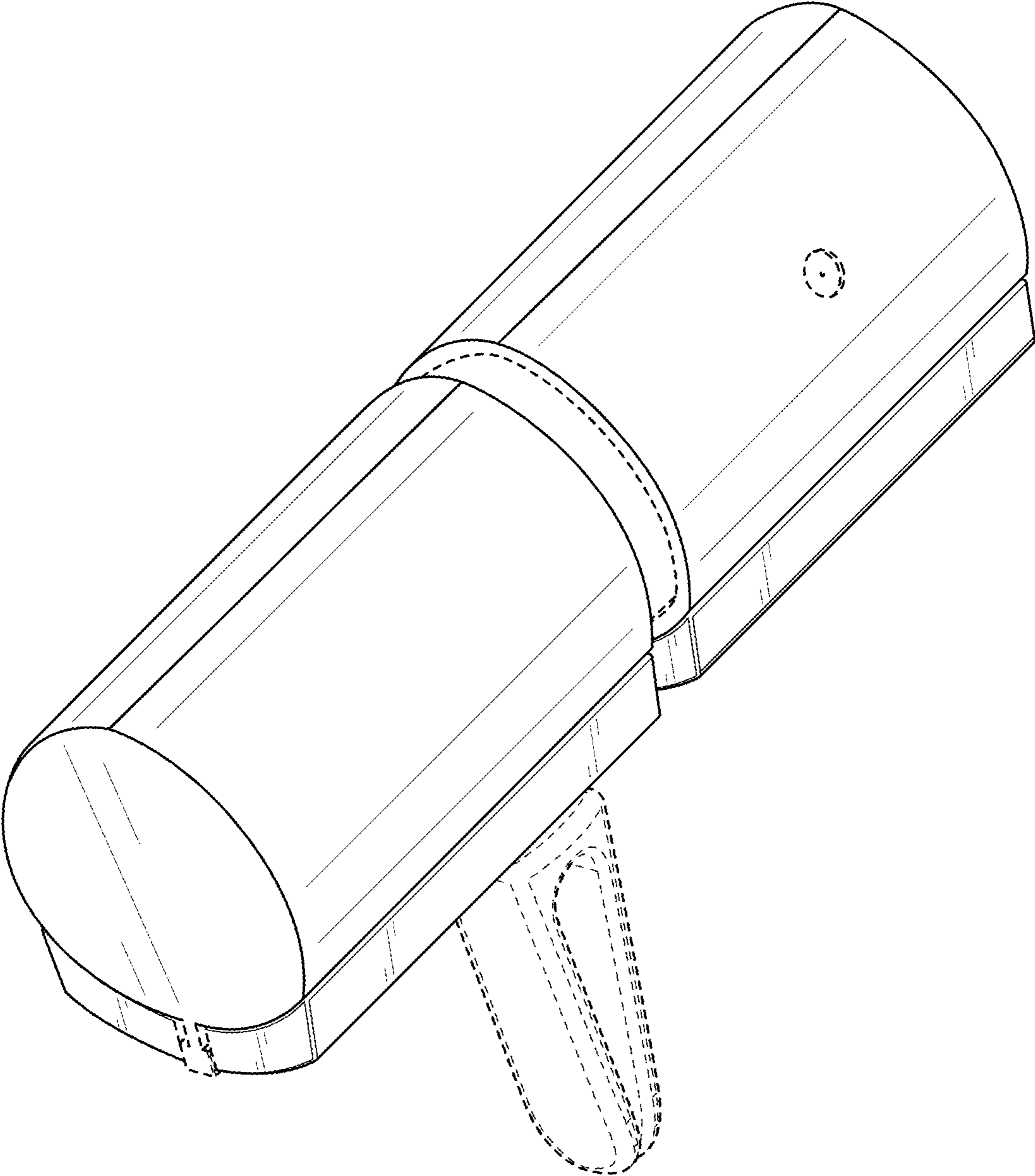


FIG. 1

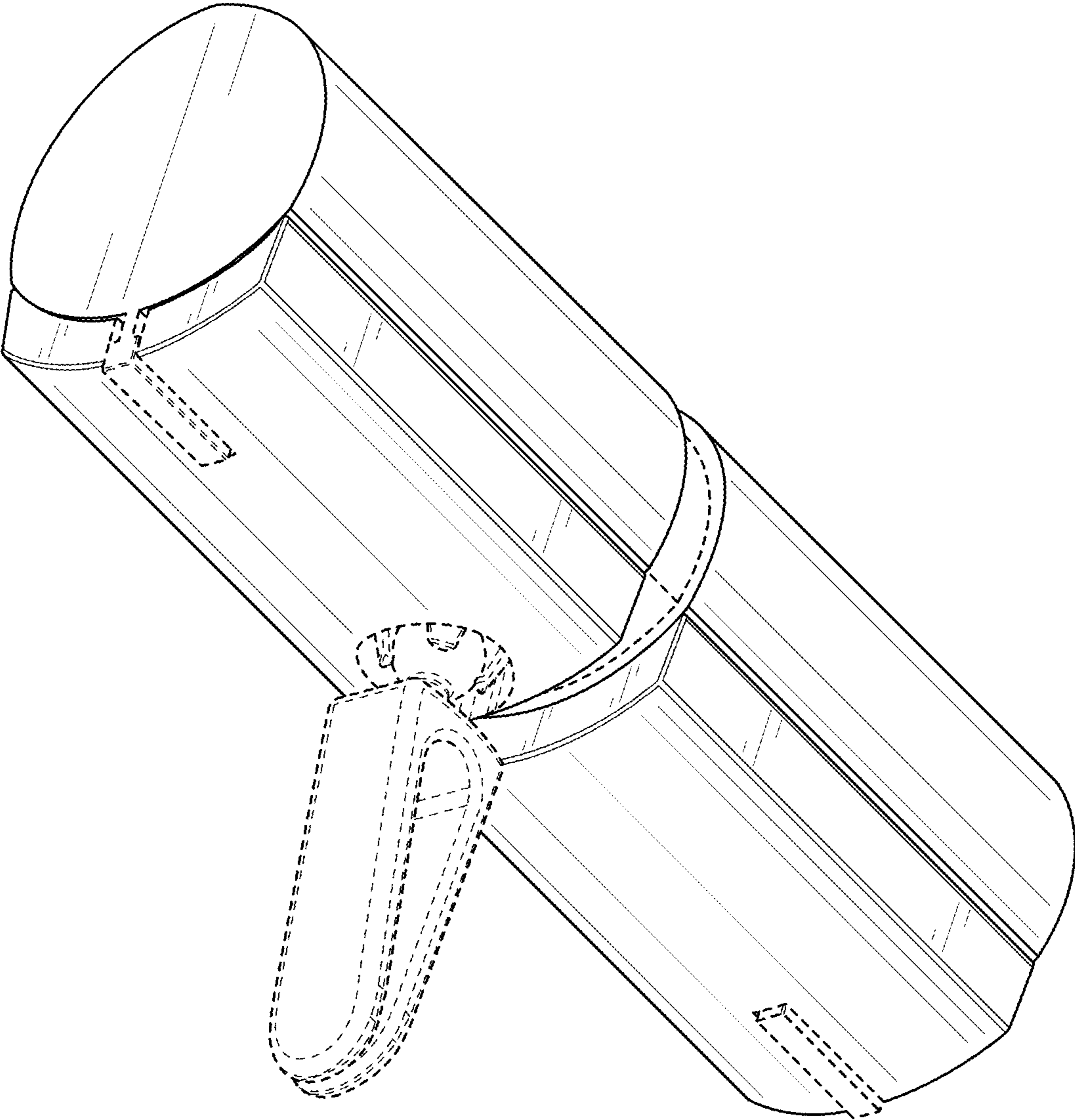


FIG. 2

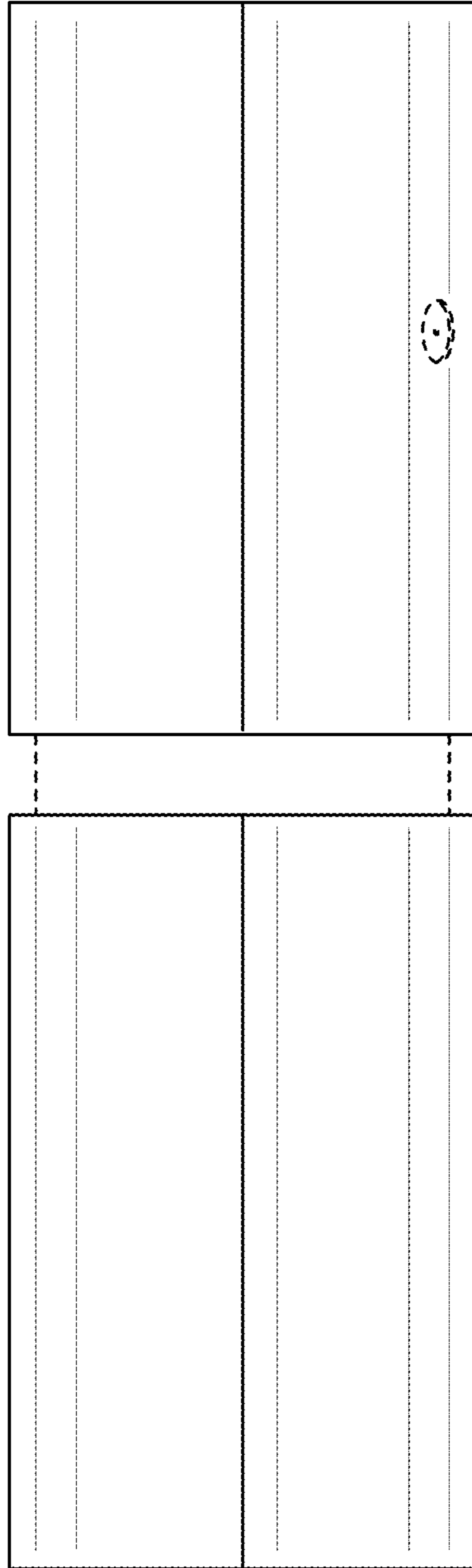


FIG. 3

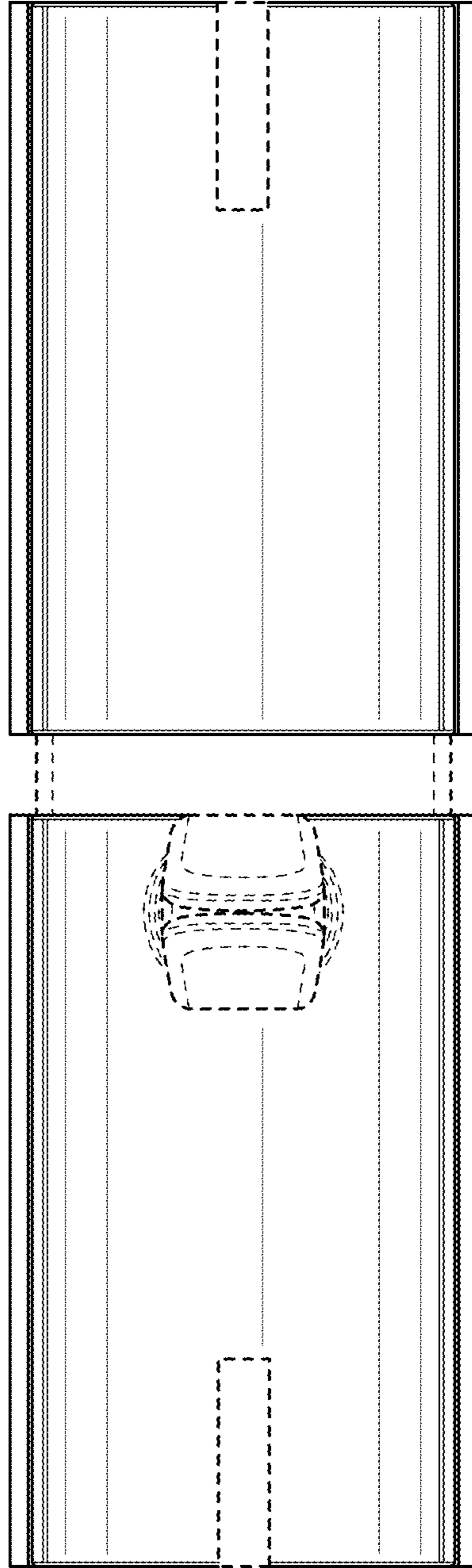


FIG. 4

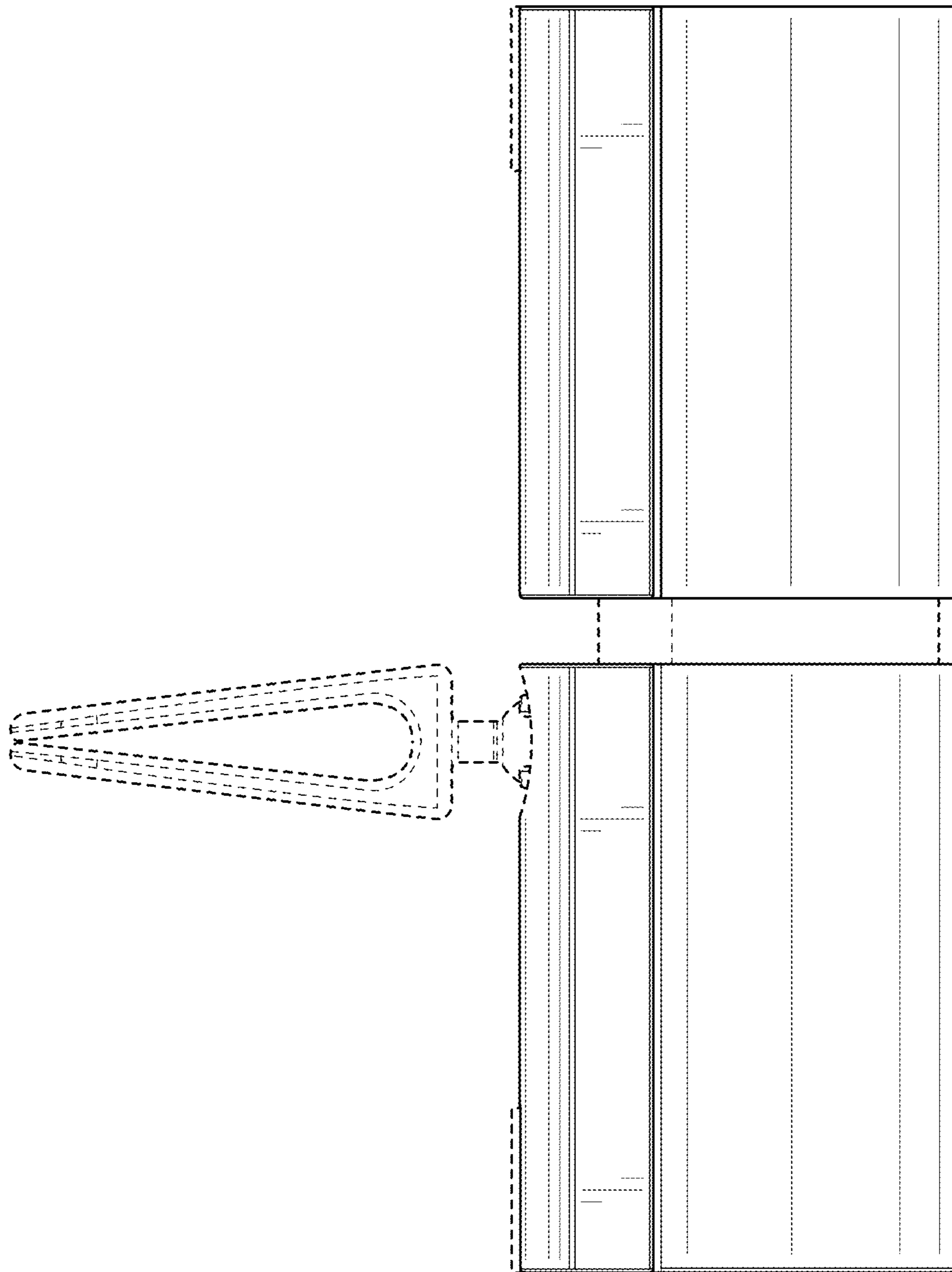


FIG. 5

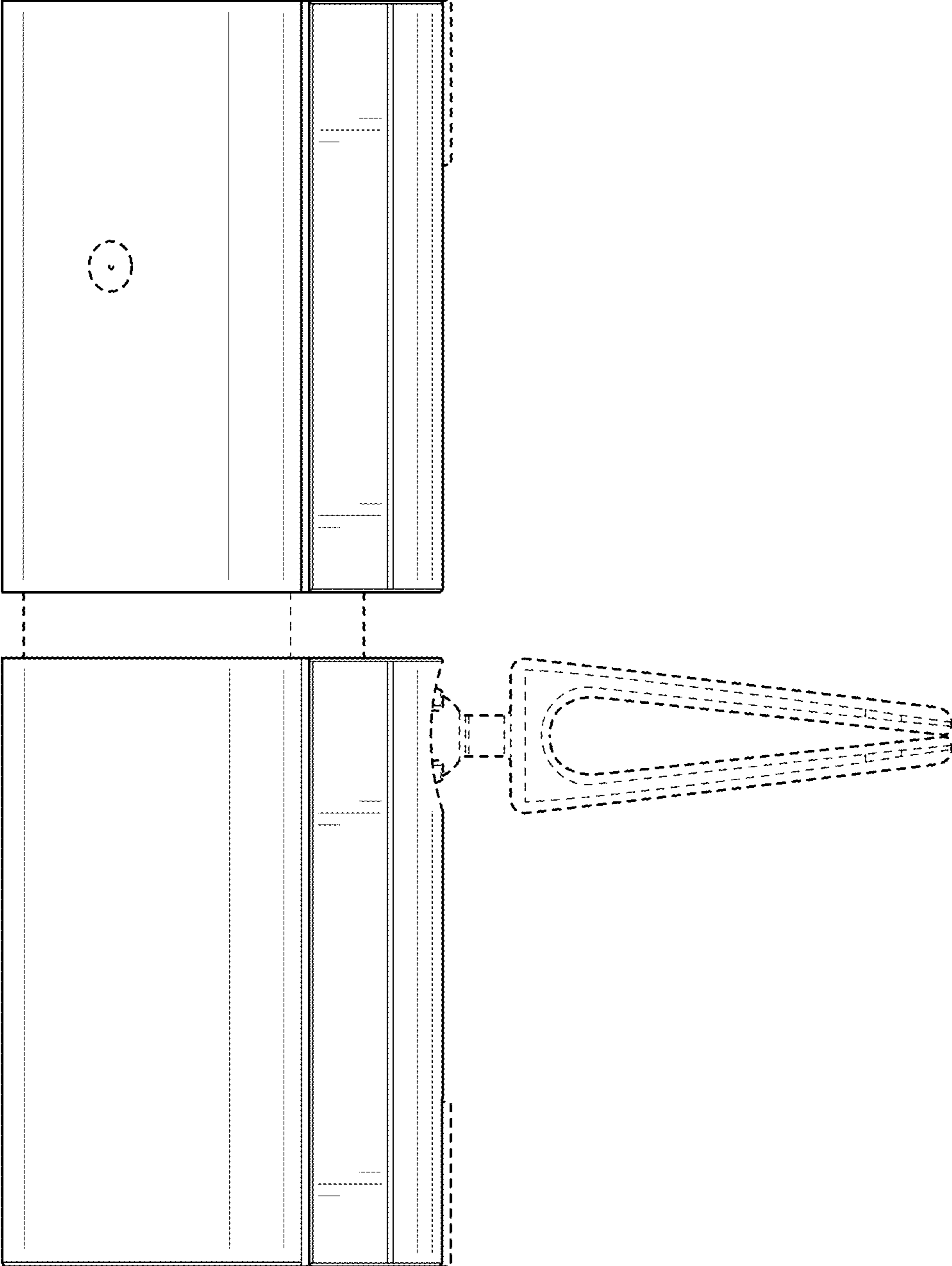


FIG. 6

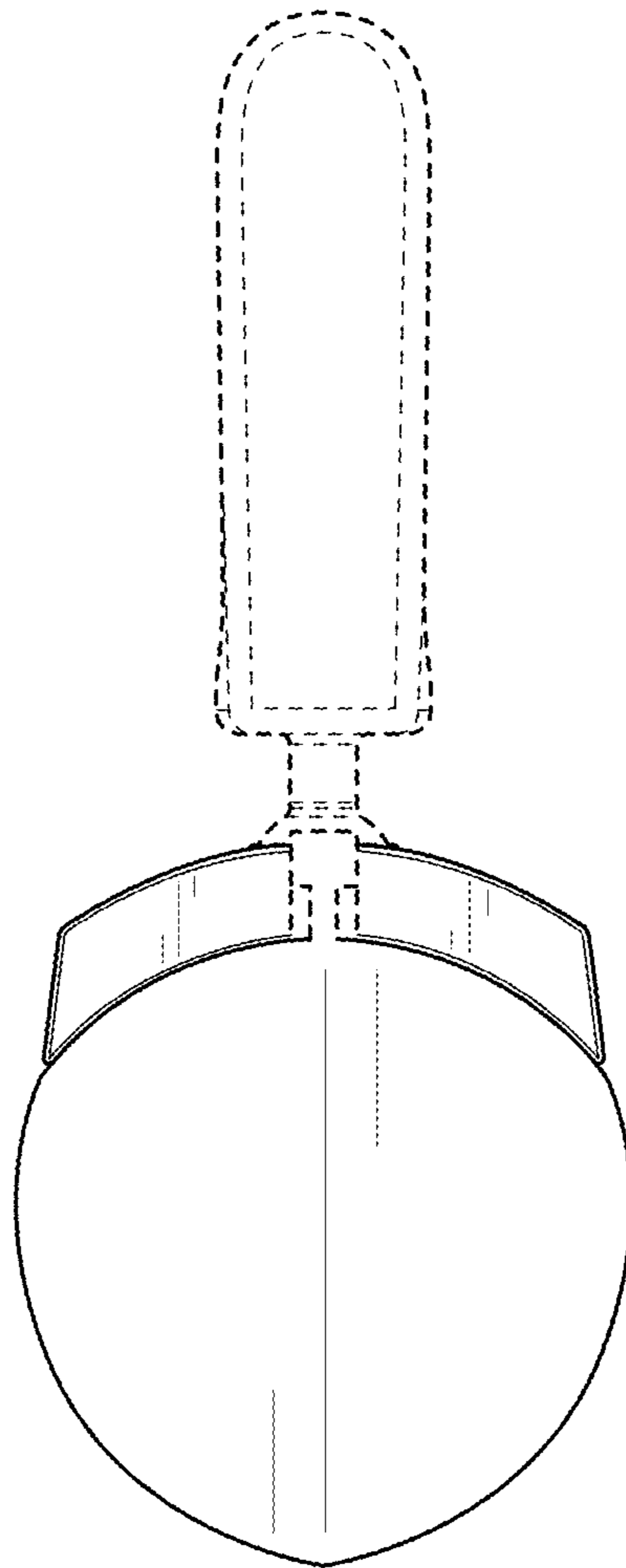


FIG. 7

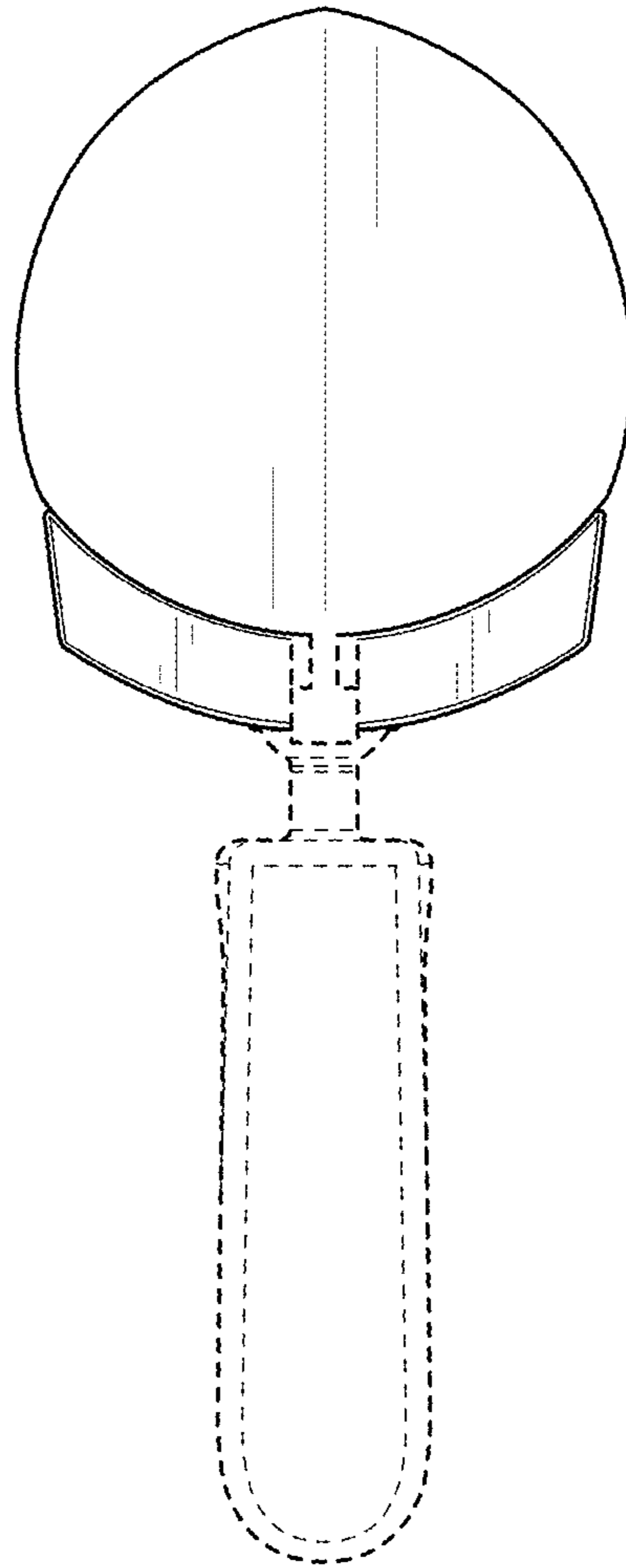


FIG. 8