



US00D912794S

(12) **United States Design Patent** (10) **Patent No.:** **US D912,794 S**  
**Brown et al.** (45) **Date of Patent:** **\*\* Mar. 9, 2021**

(54) **AIR FRESHENER**  
(71) Applicant: **Fresh Products, Inc.**, Perrysburg, OH (US)  
(72) Inventors: **Douglas S. Brown**, Toledo, OH (US); **Jeffrey A. Smith**, Perrysburg, OH (US)

3,239,145 A 3/1966 Russo  
3,269,605 A 8/1966 Silver  
3,288,420 A 11/1966 Maruoka  
3,375,538 A 4/1968 Mains et al.  
3,380,632 A 4/1968 Wilson  
3,522,935 A 8/1970 Lewis  
3,729,553 A 4/1973 Gold et al.

(Continued)

(73) Assignee: **Fresh Products, Inc.**, Perrysburg, OH (US)

FOREIGN PATENT DOCUMENTS

CH 296864 2/1954  
DE 461572 6/1928

(\*\*) Term: **15 Years**

(Continued)

(21) Appl. No.: **29/658,577**

(22) Filed: **Aug. 1, 2018**

(51) **LOC (13) Cl.** ..... **23-04**

(52) **U.S. Cl.**  
USPC ..... **D23/364**

(58) **Field of Classification Search**  
USPC ..... D23/355-366, 352, 369, 332, 333, 335, D23/336, 342, 351; 422/120, 122; 55/356, 473, 504; 96/971; 261/DIG. 17, 261/DIG. 65, DIG. 68, DIG. 31  
CPC .. A61L 9/16; A61L 9/22; B01D 47/00; B01D 47/027; B01D 2221/02; B01D 2259/4508; B03C 3/155; B03C 3/368; F24F 3/16; F24F 13/20; F24F 13/28

See application file for complete search history.

(56) **References Cited**

U.S. PATENT DOCUMENTS

2,069,179 A 1/1937 Dunaway  
2,243,151 A 5/1941 Fuld et al.  
2,251,058 A 7/1941 Kirkman  
2,642,310 A 6/1953 Meek et al.  
2,657,090 A 10/1953 Meek  
2,707,930 A 5/1955 Miles  
2,794,676 A 6/1957 D'Agostino  
2,908,473 A 10/1959 Snyder  
2,925,202 A 2/1960 Stevens  
3,104,816 A 9/1963 Jaffe

OTHER PUBLICATIONS

Advertisements dated Sep. 20, 1989 and Jan. 20, 1998 and updated advertising materials showing a combination soap and air freshener dispenser.

*Primary Examiner* — David G Muller  
(74) *Attorney, Agent, or Firm* — Knobbe, Martens, Olson & Bear, LLP

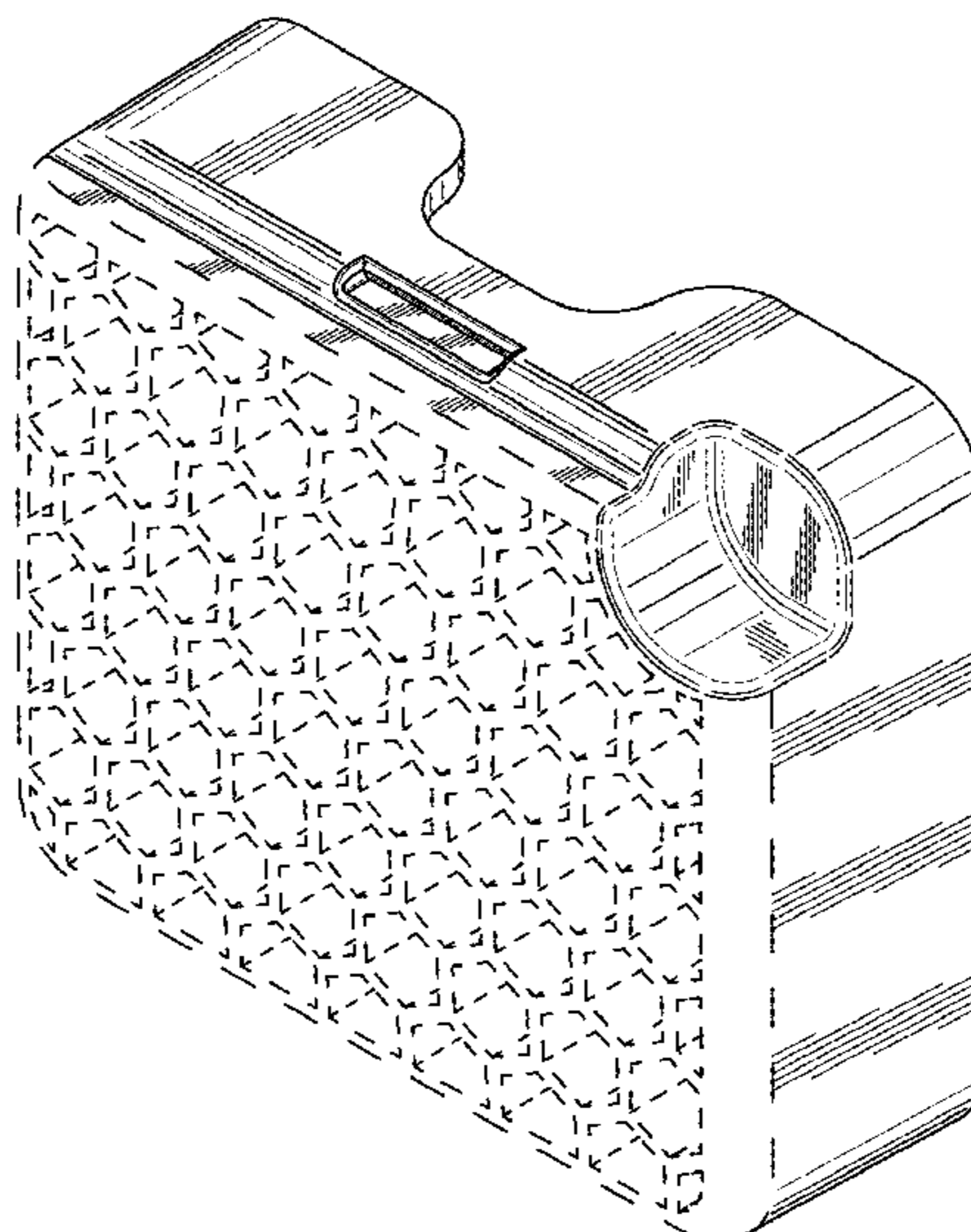
(57) **CLAIM**

The ornamental design for an air freshener, as shown and described.

**DESCRIPTION**

FIG. 1 is a front, top, and side perspective view of an air freshener embodying our new design.  
FIG. 2 is a front view thereof.  
FIG. 3 is a back view thereof.  
FIG. 4 is a left side view thereof.  
FIG. 5 is a right side view thereof.  
FIG. 6 is a top view thereof.  
FIG. 7 is a bottom view thereof; and,  
FIG. 8 is a back, top, and side perspective view thereof.  
Broken lines are used to illustrate features of the air freshener which form no part of the claimed design.

**1 Claim, 7 Drawing Sheets**





(56)

References Cited

U.S. PATENT DOCUMENTS

3,833,149	A	9/1974	Iozzio	7,223,361	B2	5/2007	Kvietok et al.	
3,902,637	A	9/1975	Scheeler	7,344,123	B2	3/2008	Pankhurst et al.	
3,993,444	A	11/1976	Brown	D570,464	S *	6/2008	Normark .....	D23/364
4,039,104	A	8/1977	Mijares, Jr. et al.	7,389,943	B2	6/2008	Jaworski	
4,065,261	A	12/1977	Fukada	7,484,716	B2	2/2009	Ford Morie et al.	
4,067,692	A	1/1978	Farris	7,600,697	B2	10/2009	Bankers et al.	
4,154,375	A	5/1979	Bippus	7,610,118	B2	10/2009	Schramm et al.	
4,252,547	A	2/1981	Johnson	7,622,073	B2	11/2009	Schramm et al.	
4,294,778	A	10/1981	DeLuca	D606,642	S *	12/2009	Weggelaar .....	D23/366
4,570,827	A	2/1986	Roggenburg, Jr. et al.	7,691,336	B2	4/2010	Westring	
4,580,581	A	4/1986	Reece et al.	D618,328	S *	6/2010	Chan .....	D23/364
4,636,328	A	1/1987	Flynn et al.	7,748,687	B2	7/2010	Pankhurst et al.	
4,709,425	A	12/1987	Bavaveas	7,857,236	B2	12/2010	Zlotnik et al.	
4,741,461	A	5/1988	Williamson et al.	7,922,104	B2	4/2011	Zlotnik et al.	
4,743,406	A	5/1988	Steiner et al.	7,942,388	B2	5/2011	Suissa et al.	
4,808,347	A	2/1989	Dawn	7,981,367	B2	7/2011	Kvietok et al.	
4,821,923	A	4/1989	Skorka	8,016,207	B2	9/2011	Kvietok et al.	
4,881,652	A	11/1989	Schiemann	8,048,379	B2	11/2011	Sassoon	
4,903,584	A	2/1990	Styles	8,061,628	B1	11/2011	Kvietok et al.	
4,905,112	A	2/1990	Rhodes	8,074,970	B2	12/2011	Pankhurst et al.	
4,921,131	A	5/1990	Binderbauer et al.	8,119,064	B2	2/2012	Woo et al.	
4,921,636	A	5/1990	Traas	D664,246	S	7/2012	Irvin et al.	
4,946,070	A	8/1990	Albert et al.	8,210,448	B2	7/2012	Kvietok et al.	
4,946,072	A	8/1990	Albert et al.	8,220,782	B2	7/2012	Hepple	
4,955,508	A	9/1990	Campanna et al.	8,349,251	B2	1/2013	Woo et al.	
4,967,935	A	11/1990	Celest	8,414,834	B2	4/2013	Gorman	
RE33,864	E	3/1992	Steiner et al.	8,469,293	B2	6/2013	Doty et al.	
5,102,015	A	4/1992	Barnard et al.	8,485,454	B1	7/2013	Irvin et al.	
5,115,945	A	5/1992	Ruck	8,603,397	B2	12/2013	Gruenbacher et al.	
5,147,582	A	9/1992	Holzner, Sr. et al.	8,870,165	B2	10/2014	Scolari	
5,165,603	A	11/1992	Hahn	8,881,999	B2	11/2014	Blaylock et al.	
5,167,877	A	12/1992	Pai	8,899,493	B2	12/2014	Kim et al.	
5,178,327	A	1/1993	Palamand et al.	9,265,853	B2	2/2016	Scott et al.	
5,180,107	A	1/1993	Lindauer	D753,809	S	4/2016	Schlegel	
5,186,360	A	2/1993	Mease et al.	D754,317	S	4/2016	Yasuoka	
5,223,182	A	6/1993	Steiner et al.	9,364,575	B2	6/2016	Habel	
5,265,772	A	11/1993	Bartasevich et al.	D764,040	S *	8/2016	Cho .....	D23/365
5,284,272	A	2/1994	Wei	D784,504	S *	4/2017	Kim .....	D23/351
5,367,716	A	11/1994	Huang	D784,506	S *	4/2017	Kim .....	D23/351
5,379,917	A	1/1995	Brown et al.	D784,507	S *	4/2017	Kim .....	D23/351
5,477,640	A	12/1995	Holtkamp, Jr.	9,717,815	B2	8/2017	Peterson et al.	
5,487,877	A	1/1996	Choi	D798,430	S *	9/2017	Nord .....	D23/364
5,595,324	A	1/1997	Brown et al.	D804,005	S *	11/2017	Spear .....	D23/365
5,690,255	A	11/1997	White	D831,186	S *	10/2018	Tamras .....	D23/366
5,695,692	A	12/1997	Kennedy	D837,355	S *	1/2019	Gunnfur .....	D23/364
5,791,525	A	8/1998	Fan	D858,727	S *	9/2019	Uchiyama .....	D23/335
5,799,826	A	9/1998	Brown et al.	D858,732	S *	9/2019	Hyon .....	D23/365
5,805,768	A	9/1998	Schwartz et al.	2002/0066798	A1	6/2002	Laudamiel-Pellet et al.	
5,842,675	A	12/1998	Davitt	2002/0068009	A1	6/2002	Laudamiel-Pellet et al.	
5,911,362	A	6/1999	Wood et al.	2002/0068010	A1	6/2002	Laudamiel-Pellet et al.	
D414,253	S	9/1999	Kobayashi et al.	2003/0175148	A1	9/2003	Kvietok et al.	
6,062,425	A	5/2000	Brown et al.	2004/0007787	A1	1/2004	Kvietok et al.	
6,249,919	B1	6/2001	Bryson, Jr. et al.	2004/0033171	A1	2/2004	Kvietok et al.	
6,254,065	B1	7/2001	Ehrensperger et al.	2004/0265164	A1	12/2004	Woo et al.	
6,318,600	B1	11/2001	Winnett et al.	2005/0147523	A1	7/2005	Laudamiel-Pellet et al.	
6,357,726	B1	3/2002	Watkins	2005/0147539	A1	7/2005	Laudamiel-Pellet et al.	
D459,950	S	7/2002	Bush et al.	2005/0214158	A1	9/2005	Kvietok	
6,536,746	B2	3/2003	Watkins	2005/0265904	A1	12/2005	Hardy et al.	
6,569,387	B1	5/2003	Furner et al.	2006/0067859	A1	3/2006	Laudamiel-Pellet et al.	
6,581,915	B2	6/2003	Bartsch et al.	2006/0081721	A1	4/2006	Caserta et al.	
6,619,559	B2	9/2003	Wohrle	2006/0153744	A1	7/2006	Thompson et al.	
6,655,604	B2	12/2003	Tuttobene, Jr.	2006/0196100	A1	9/2006	Laudamiel-Pellet et al.	
6,713,024	B1	3/2004	Arnell et al.	2006/0226251	A1	10/2006	Helf et al.	
6,769,631	B2	8/2004	Brown	2007/0181706	A1	8/2007	Yeh et al.	
6,783,117	B2	8/2004	Wohrle	2008/0038156	A1	2/2008	Jaramillo	
6,786,474	B2	9/2004	Watkins et al.	2008/0164337	A1	7/2008	Brown et al.	
6,834,847	B2	12/2004	Bartsch et al.	2008/0191370	A1	8/2008	Pankhurst et al.	
6,913,733	B2	7/2005	Hardy et al.	2008/0245890	A1	10/2008	Lockwood et al.	
6,994,328	B2	2/2006	Watkins et al.	2009/0001213	A1	1/2009	Looft	
7,011,795	B2	3/2006	Thompson et al.	2009/0173799	A1	7/2009	Litten-Brown et al.	
7,036,800	B2	5/2006	Ellis	2009/0200399	A1	8/2009	McGee et al.	
7,070,172	B2	7/2006	Fabrega et al.	2009/0212124	A1	8/2009	Kenny	
7,160,515	B2	1/2007	Murdell et al.	2009/0218413	A1	9/2009	Withers	
7,188,780	B2	3/2007	Martens, III	2010/0038443	A1	2/2010	Pankhurst et al.	
7,188,783	B2	3/2007	Ivey et al.	2010/0090022	A1	4/2010	Hayashida	
				2010/0187327	A1	7/2010	Irvin	
				2010/0221143	A1	9/2010	Broncano Atencia et al.	
				2010/0272599	A1	10/2010	Broncano Atencia et al.	
				2010/0320282	A1	12/2010	Sissom	

(56)

**References Cited**

U.S. PATENT DOCUMENTS

2011/0290903	A1	12/2011	Nagano et al.
2012/0000989	A1	1/2012	Bordier
2012/0018527	A1	1/2012	Duddington et al.
2012/0126024	A1	5/2012	Boyd et al.
2012/0205460	A1	8/2012	Franks
2014/0001286	A1	1/2014	Scott et al.
2015/0108243	A1	4/2015	Bourne
2017/0067608	A1	3/2017	Patton
2017/0216474	A1	8/2017	Kelsen

FOREIGN PATENT DOCUMENTS

DE	3239511	4/1984
DE	102012016994	3/2013
FR	2741807	6/1997
WO	WO 00/12143	3/2000
WO	WO 02/34414	5/2002

\* cited by examiner

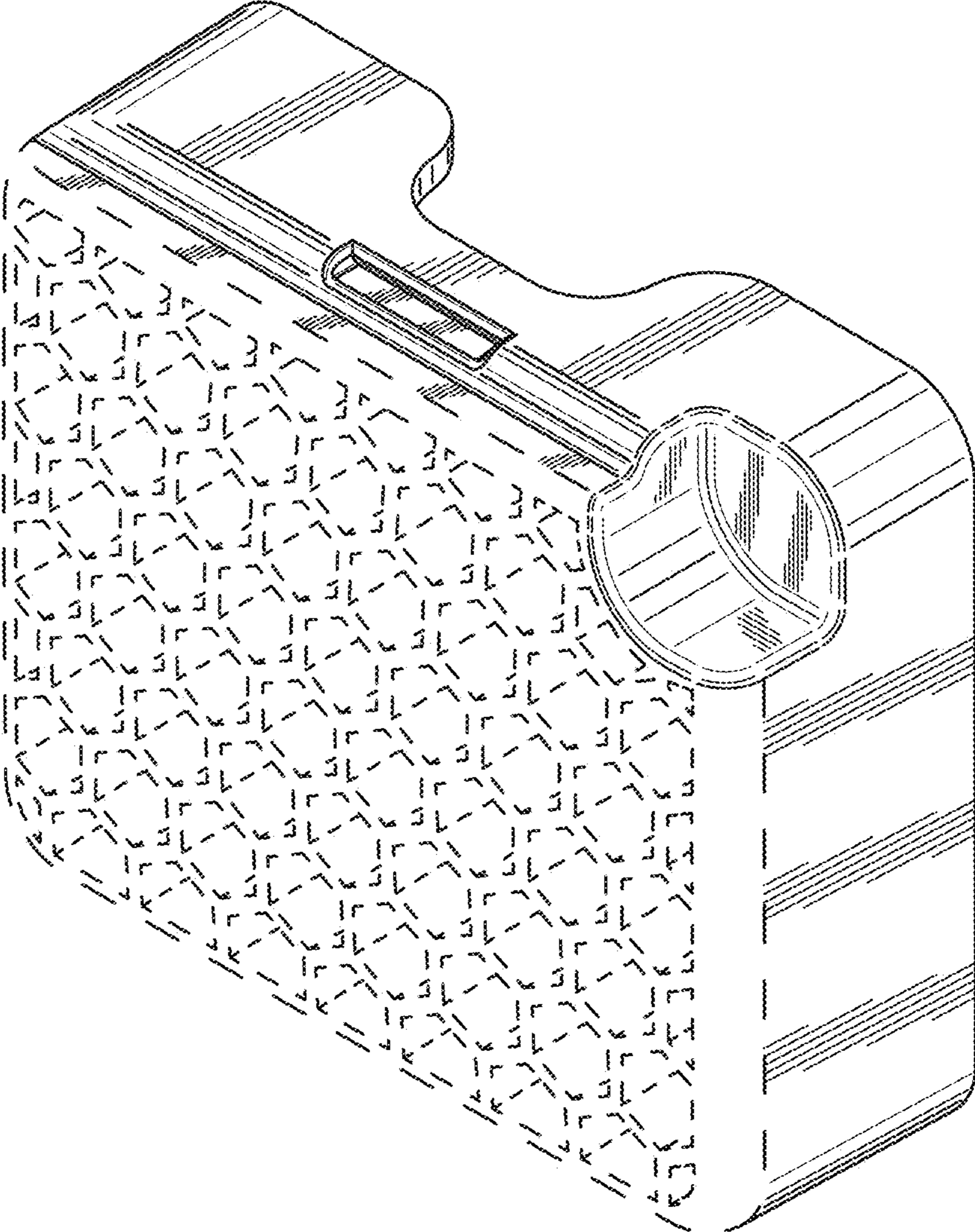


FIG. 1



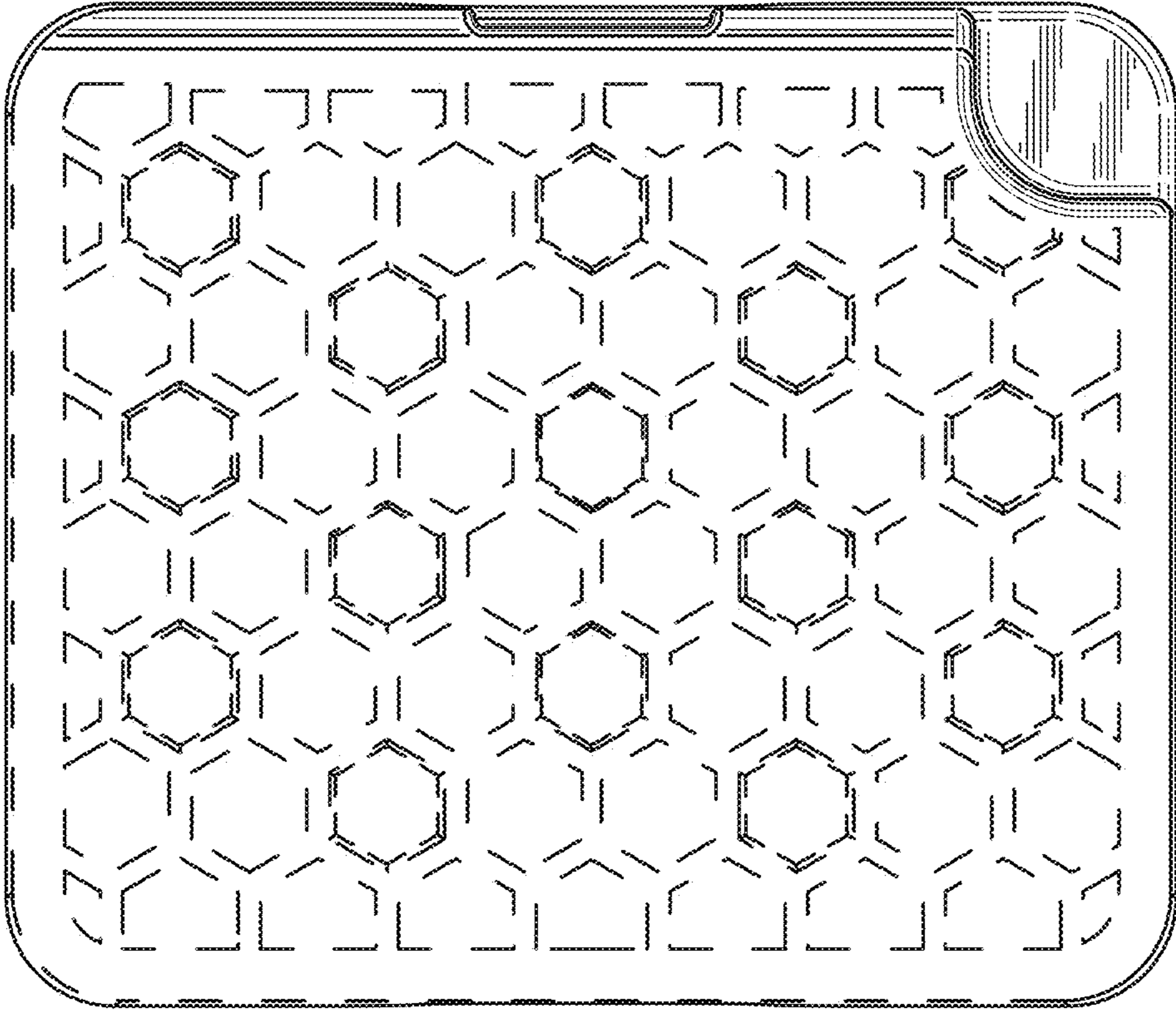


FIG. 2

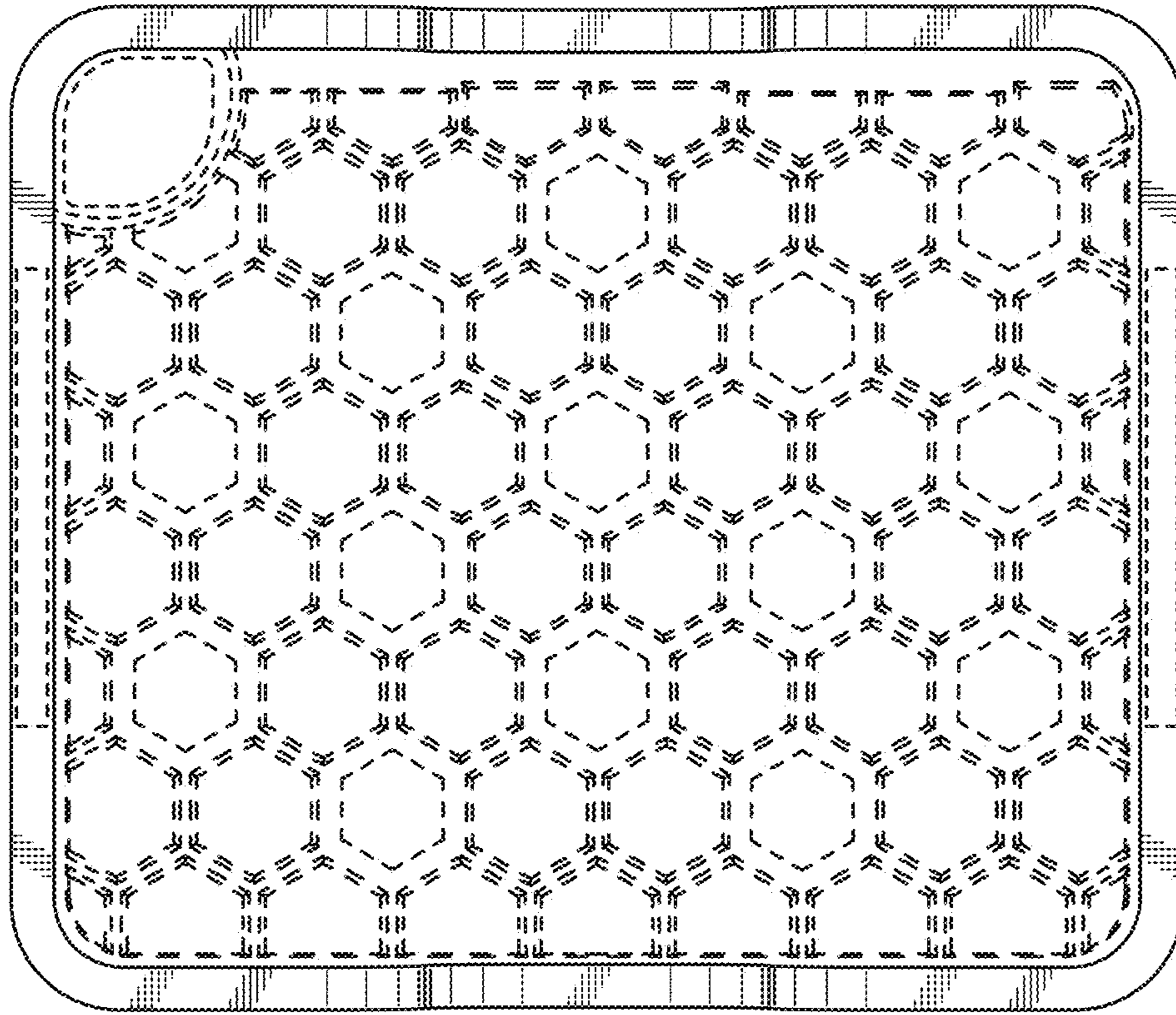


FIG. 3

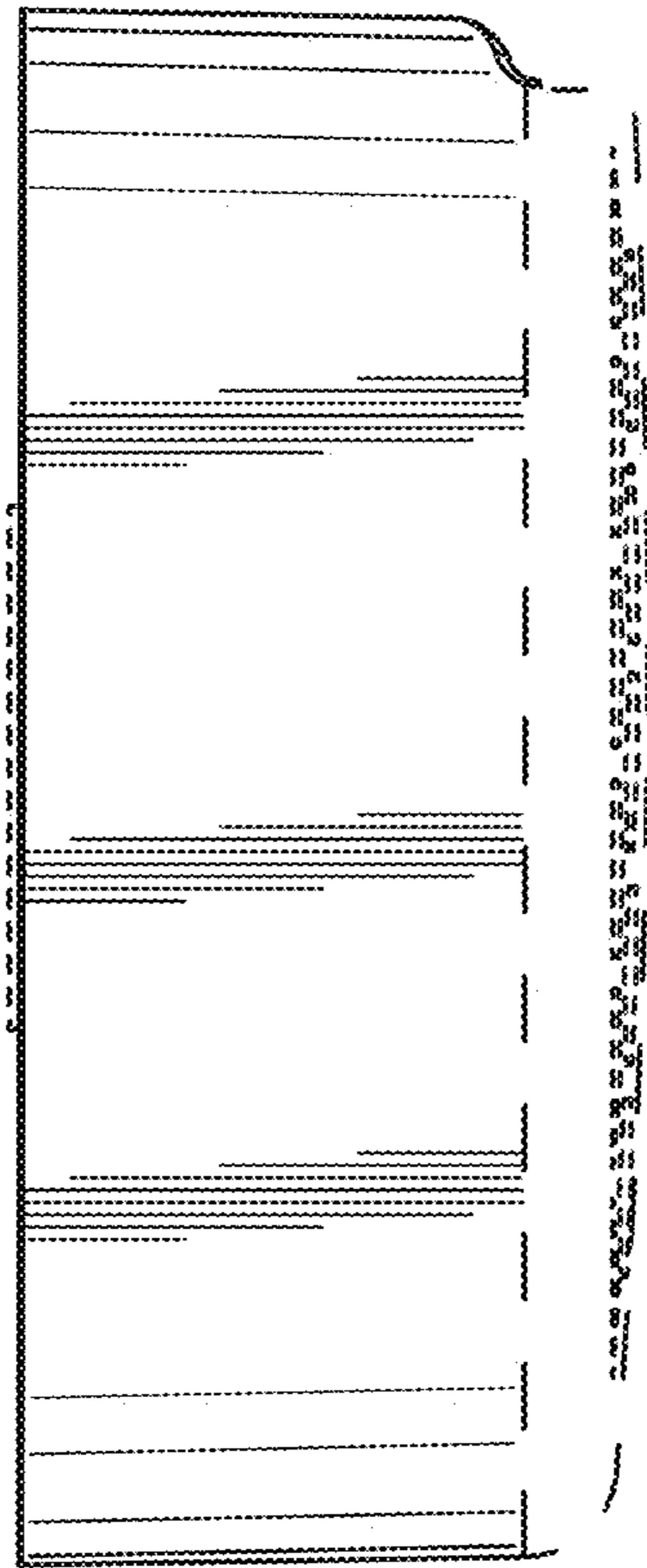


FIG. 4

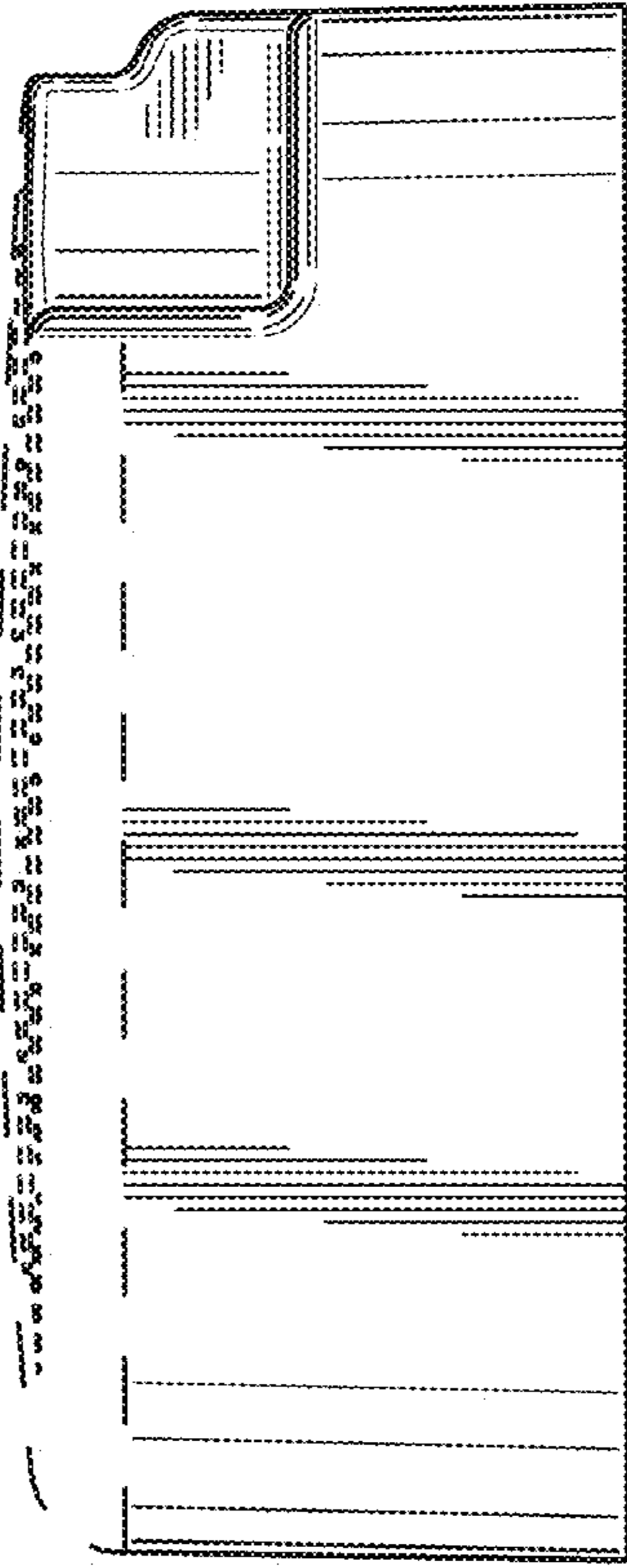


FIG. 5



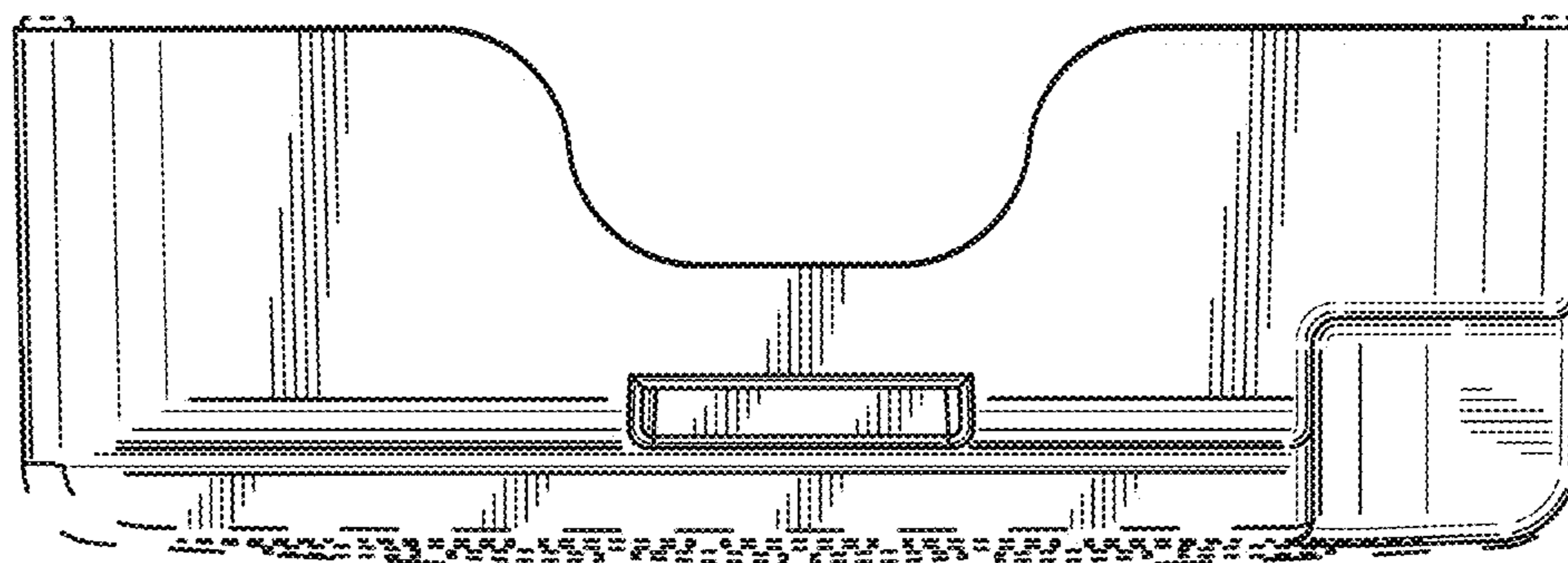


FIG. 6

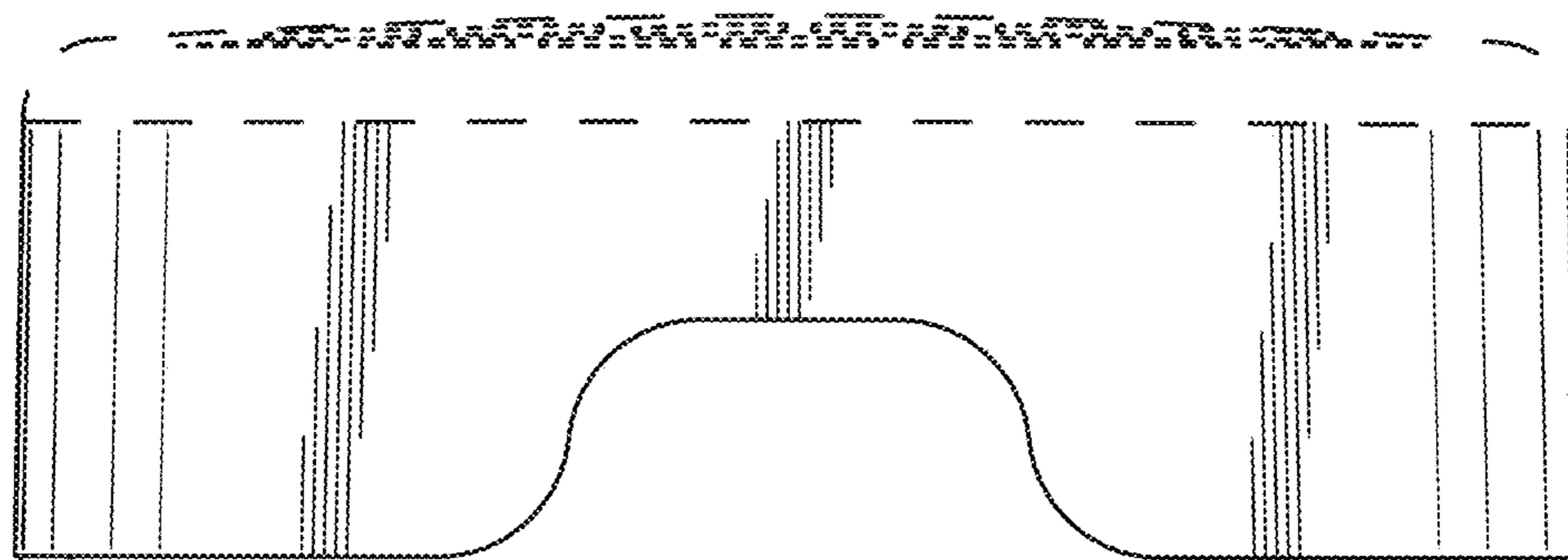


FIG. 7

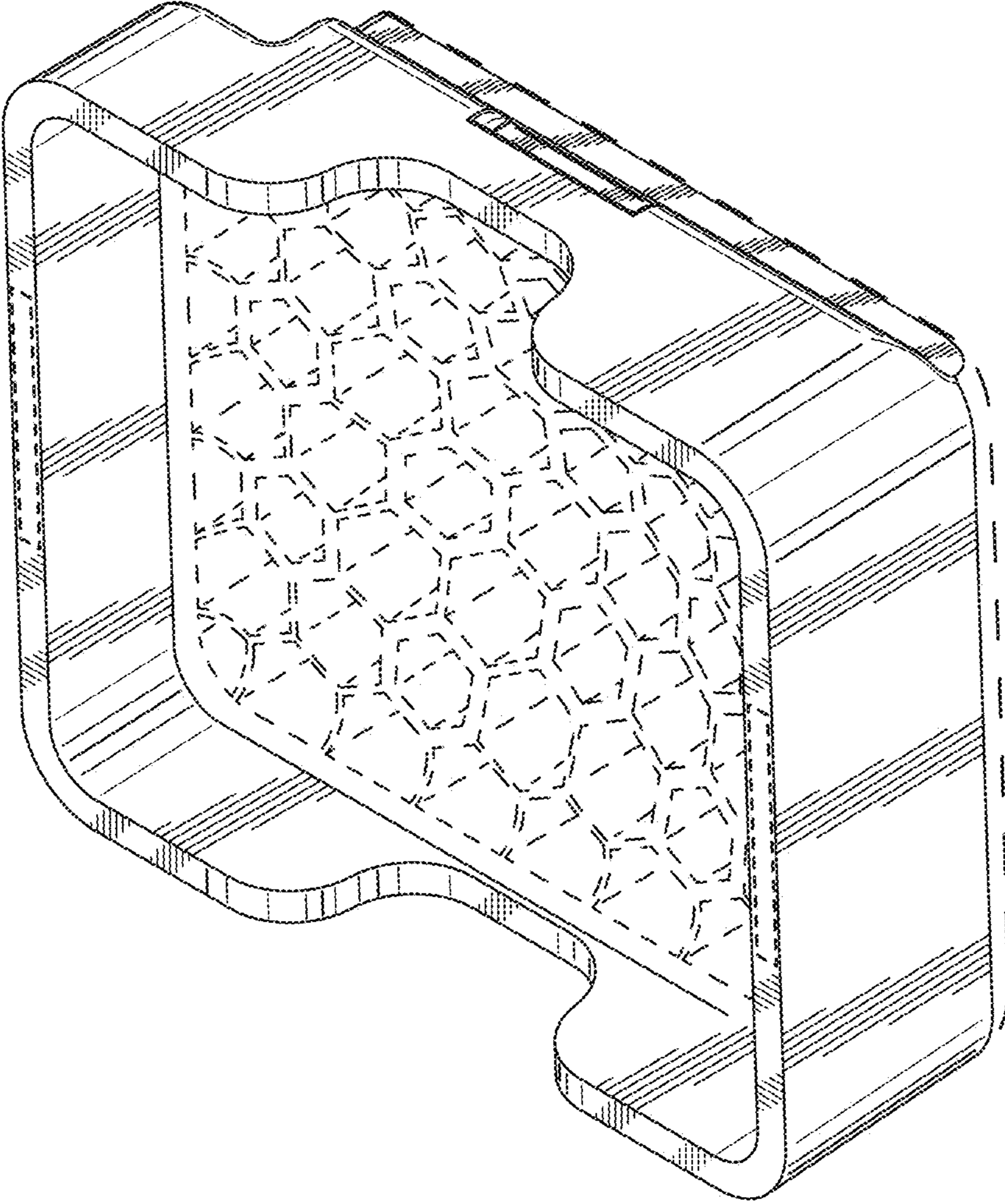


FIG. 8