



US00D912792S

(12) **United States Design Patent**  
**Stearns et al.**

(10) **Patent No.:** **US D912,792 S**  
(45) **Date of Patent:** **\*\* Mar. 9, 2021**

- (54) **WHEEL**
- (71) Applicant: **Therma-Stor LLC**, Madison, WI (US)
- (72) Inventors: **Jared M. Stearns**, Madison, WI (US);  
**Steven S. Dingle**, McFarland, WI (US)
- (73) Assignee: **Therma-Stor, LLC**, Madison, WI (US)
- (\*\*) Term: **15 Years**
- (21) Appl. No.: **29/677,854**
- (22) Filed: **Jan. 24, 2019**
- (51) **LOC (13) Cl.** ..... **24-02**
- (52) **U.S. Cl.**  
USPC ..... **D23/359**
- (58) **Field of Classification Search**  
USPC ..... D24/355-366, 352, 369, 332, 333, 335,  
D24/336, 342, 351; D34/27, 16, 241, 10;  
D12/204, 501, 133, 20; D21/424-435;  
422/120, 122; 55/356, 473, 504; 96/97;  
261/DIG. 17, DIG. 65, DIG. 88, DIG. 31  
CPC ..... B60B 27/02; B60B 37/04; B60B 37/10;  
A61L 9/16; A61L 9/22; B01D 47/00;  
B01D 47/027; B01D 2221/02; B01D  
2259/4508; B03C 3/155; B03C 3/368;  
F24F 3/16; F24F 13/20; F24F 13/28;  
F24F 2001/0096  
See application file for complete search history.

6,170,920	B1 *	1/2001	Markling	.....	B60B 5/02 301/111.01
D508,735	S *	8/2005	Klein	.....	D23/359
D517,673	S *	3/2006	Yamamoto	.....	D23/366
D577,426	S *	9/2008	Huang	.....	D23/360
D631,223	S *	1/2011	Kosheba	.....	D34/27
D634,414	S *	3/2011	Wolfe	.....	D23/359
D640,439	S *	6/2011	Morris	.....	D34/27
D647,118	S *	10/2011	Parker	.....	D15/148
D678,494	S *	3/2013	Wolfe	.....	D23/359
D702,411	S *	4/2014	Bromm	.....	D34/10
D751,265	S *	3/2016	Bromm	.....	D34/27
D766,141	S *	9/2016	Kim	.....	D12/133
D776,896	S *	1/2017	Paitechell	.....	D34/27
D789,837	S *	6/2017	van den Berg	.....	D12/112
D803,129	S *	11/2017	McMath	.....	D12/209
D810,628	S *	2/2018	Li	.....	D12/107
D820,770	S *	6/2018	Vaarsi	.....	D12/501
D840,313	S *	2/2019	Ranum	.....	D12/209
D845,868	S *	4/2019	Hale, Jr.	.....	D12/213
D874,387	S *	2/2020	Rovito	.....	D12/501
D907,869	S *	1/2021	Yang	.....	D32/31
2018/0162162	A1 *	6/2018	Ma	.....	B60B 33/0086

\* cited by examiner

*Primary Examiner* — David G Muller  
(74) *Attorney, Agent, or Firm* — Baker Botts L.L.P.

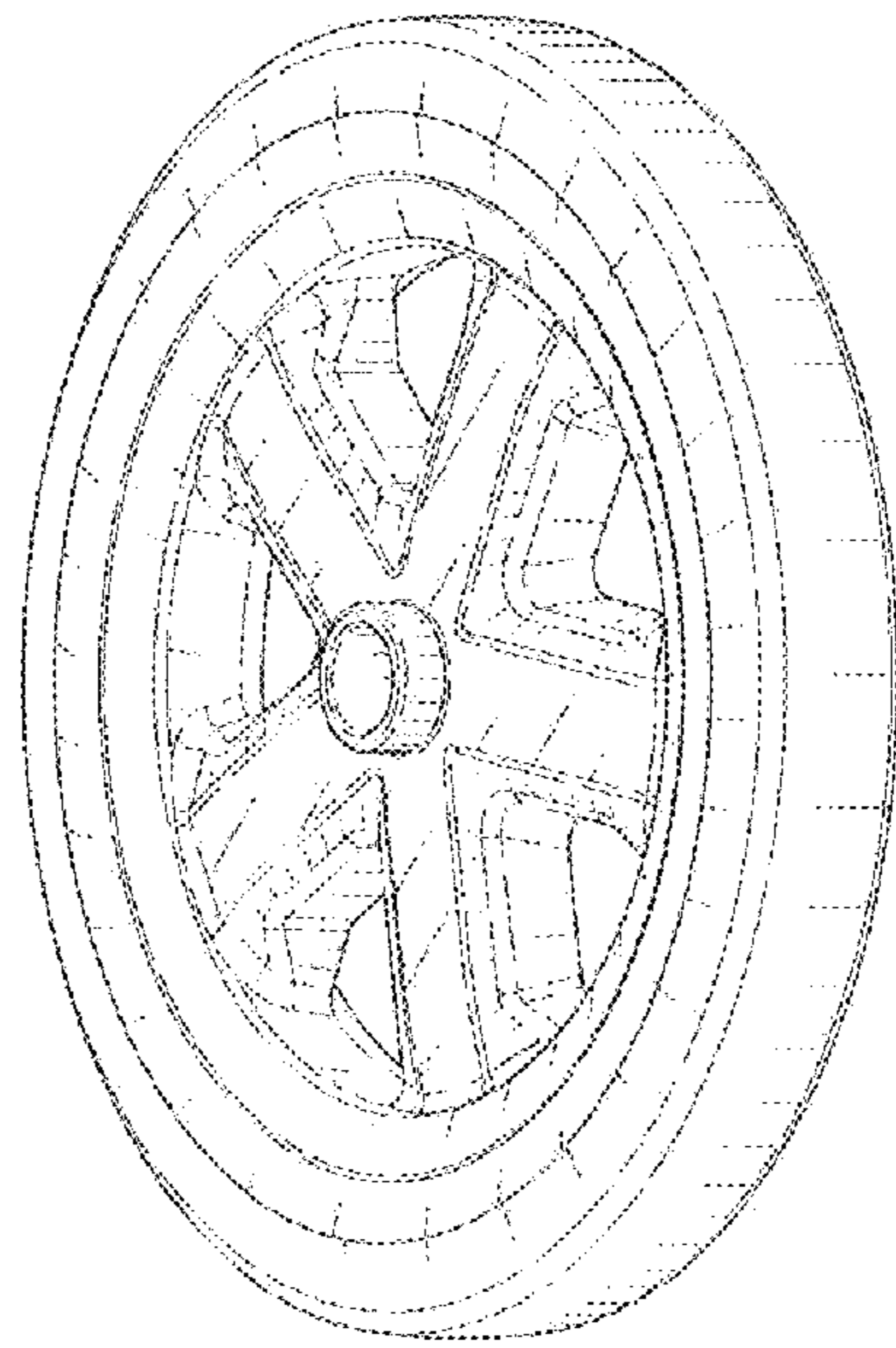
(57) **CLAIM**  
The ornamental design for a wheel, as shown and described.

**DESCRIPTION**

FIG. 1 is a left side perspective view of a wheel showing our new design;  
FIG. 2 is another left side perspective view thereof;  
FIG. 3 is right side perspective view thereof;  
FIG. 4 is another right side perspective view thereof;  
FIG. 5 is a top plan view thereof; and  
FIG. 6 is a bottom plan view thereof,  
FIG. 7 is a left side elevation view thereof; and,  
FIG. 8 is a right side elevation view thereof.

**1 Claim, 7 Drawing Sheets**

- (56) **References Cited**  
U.S. PATENT DOCUMENTS  
4,444,435 A \* 4/1984 Honsa ..... B65F 1/1473  
301/64.701  
D311,621 S \* 10/1990 Fuller ..... D34/16  
D352,687 S \* 11/1994 Markling ..... D12/204  
5,368,371 A \* 11/1994 Markling ..... A63H 17/262  
301/105.1



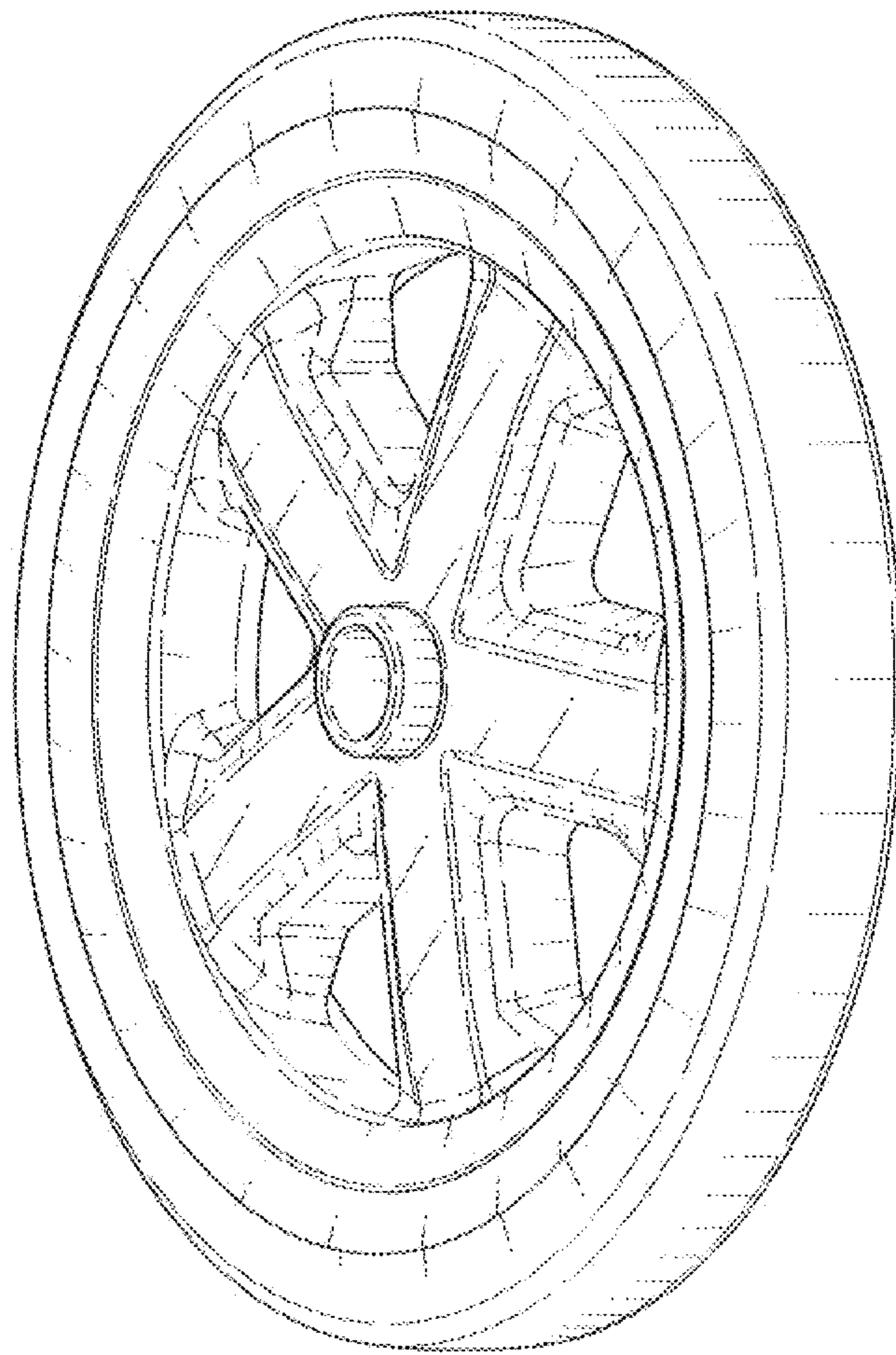


FIG. 1

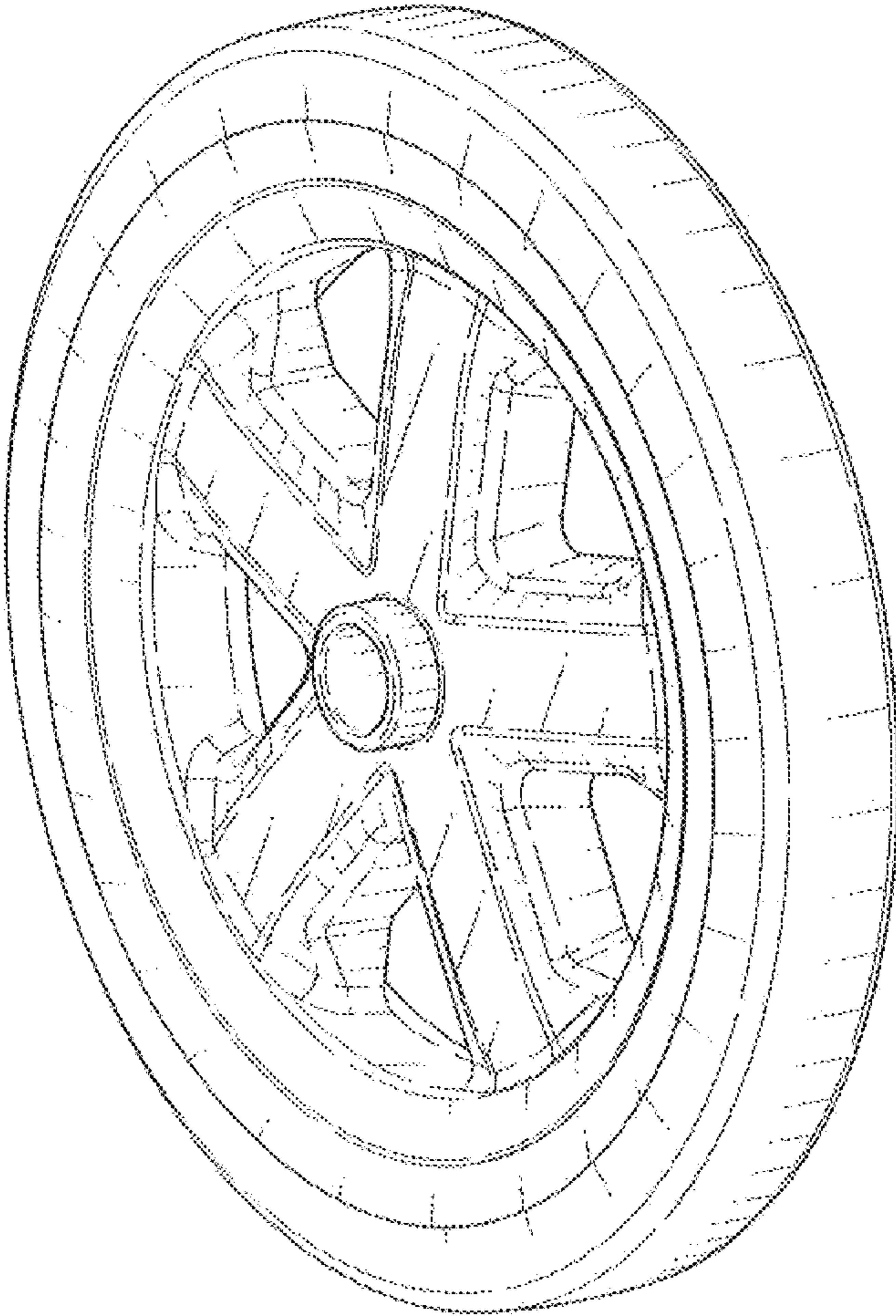


FIG. 2

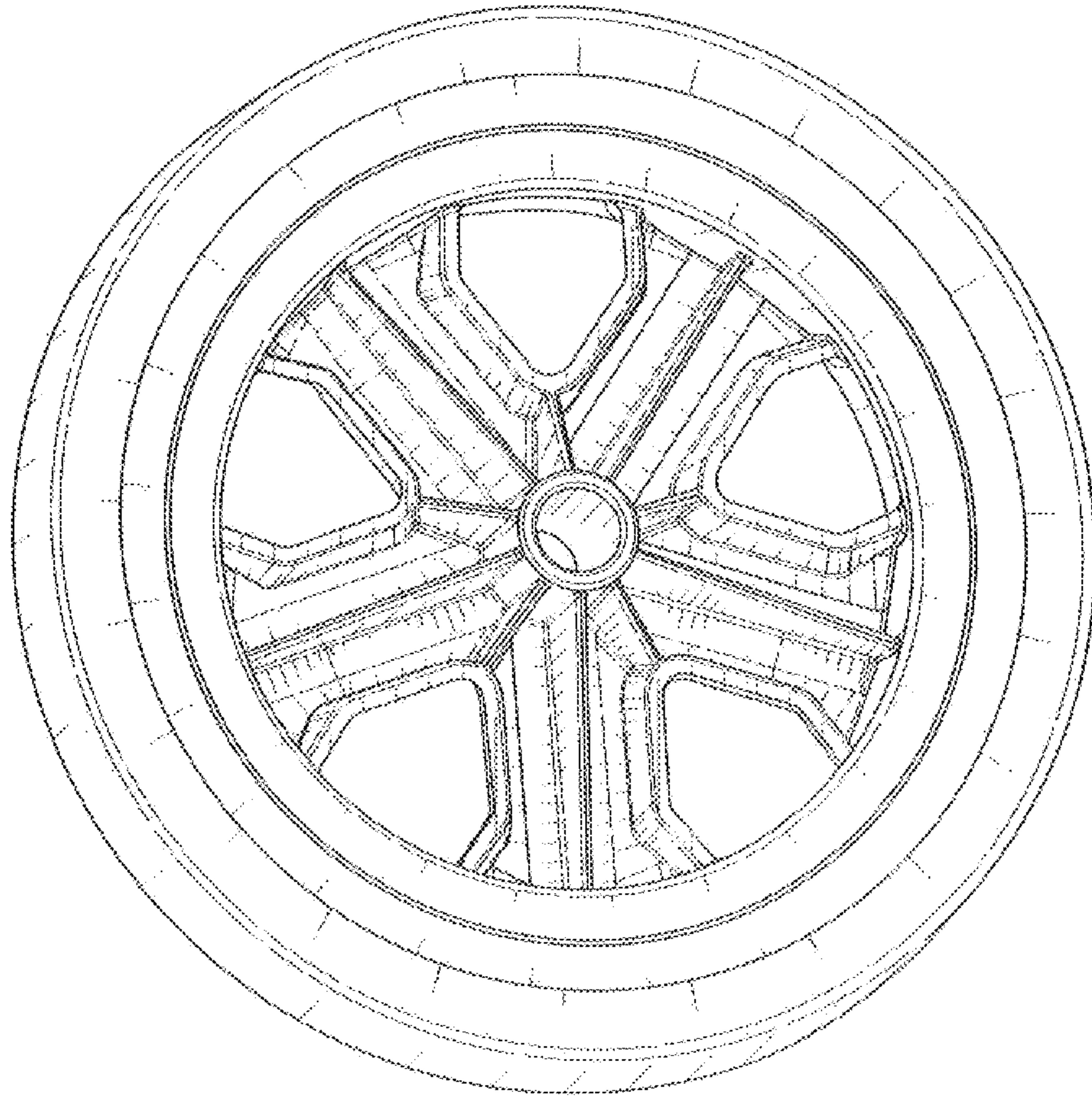


FIG. 3

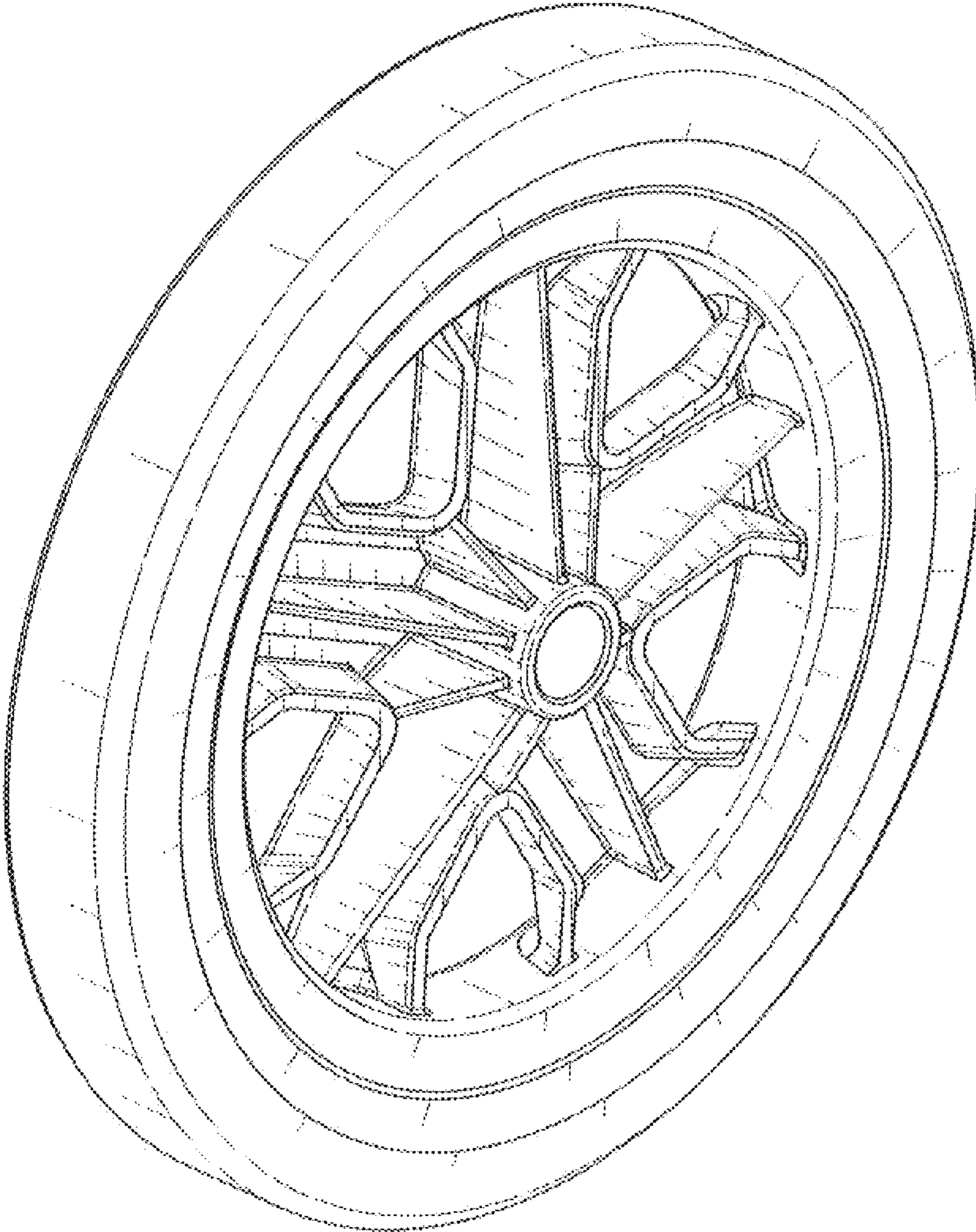


FIG. 4

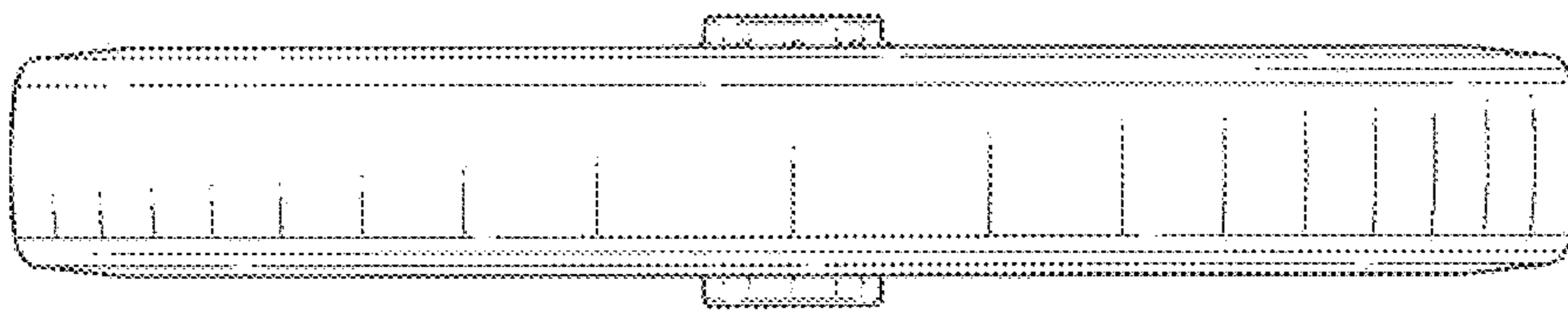


FIG. 5

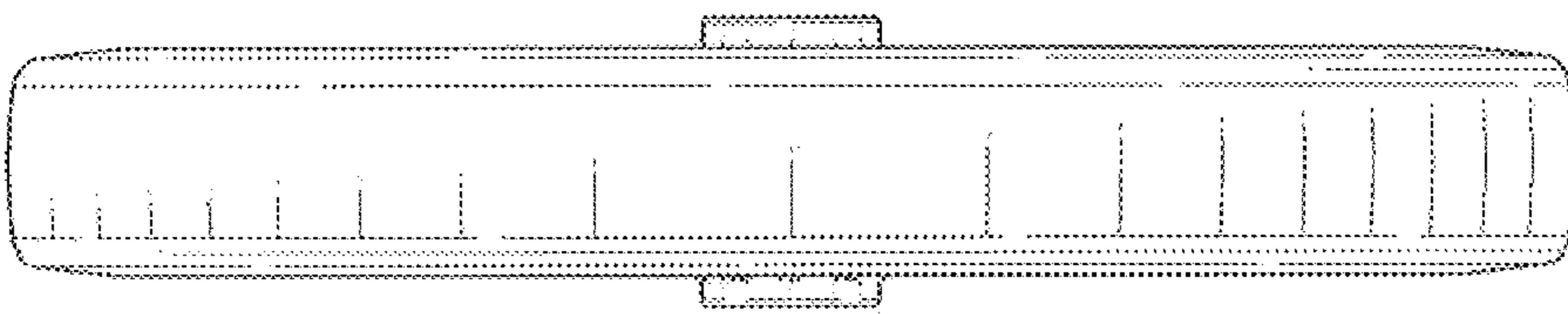


FIG. 6

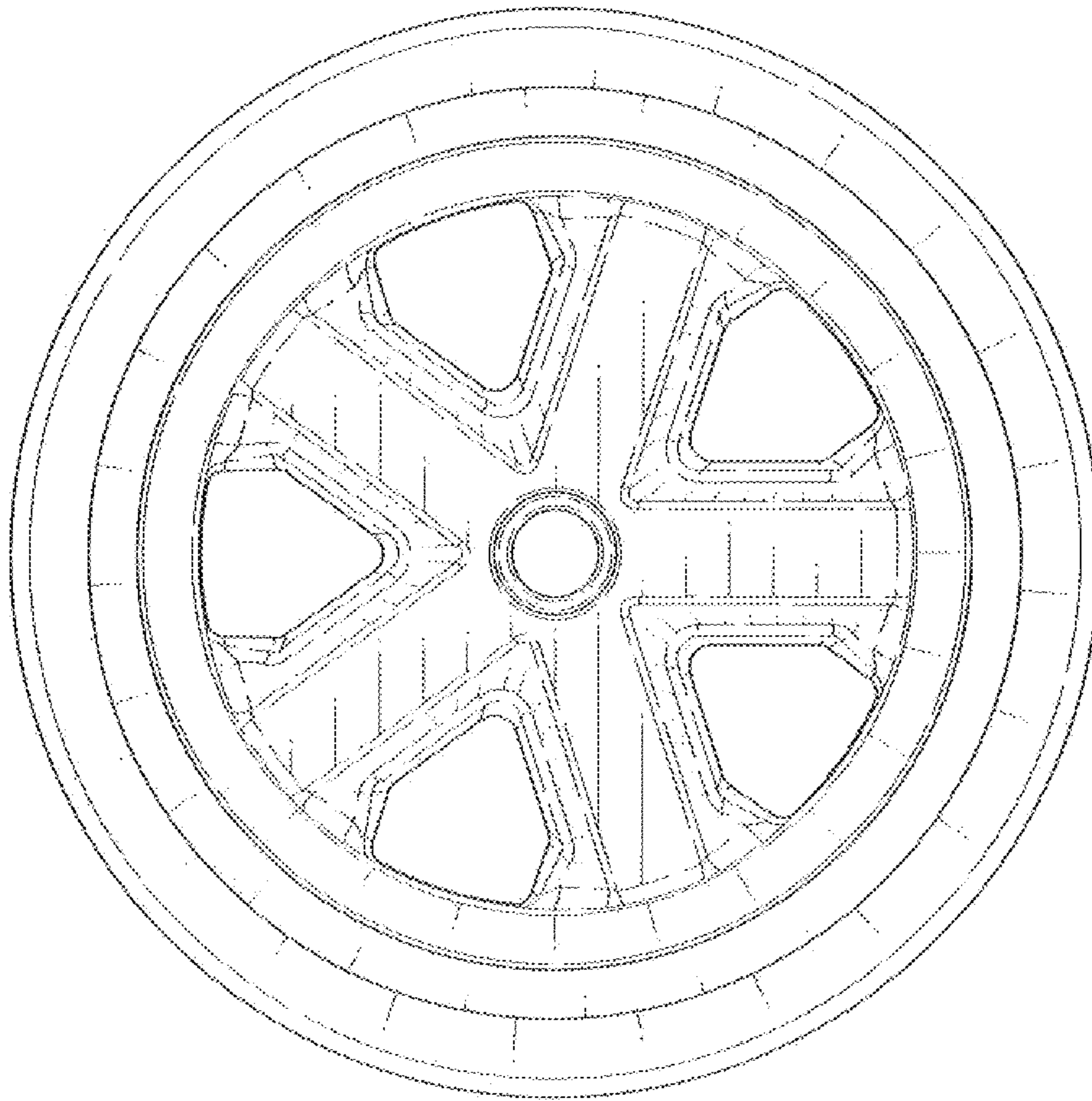


FIG. 7

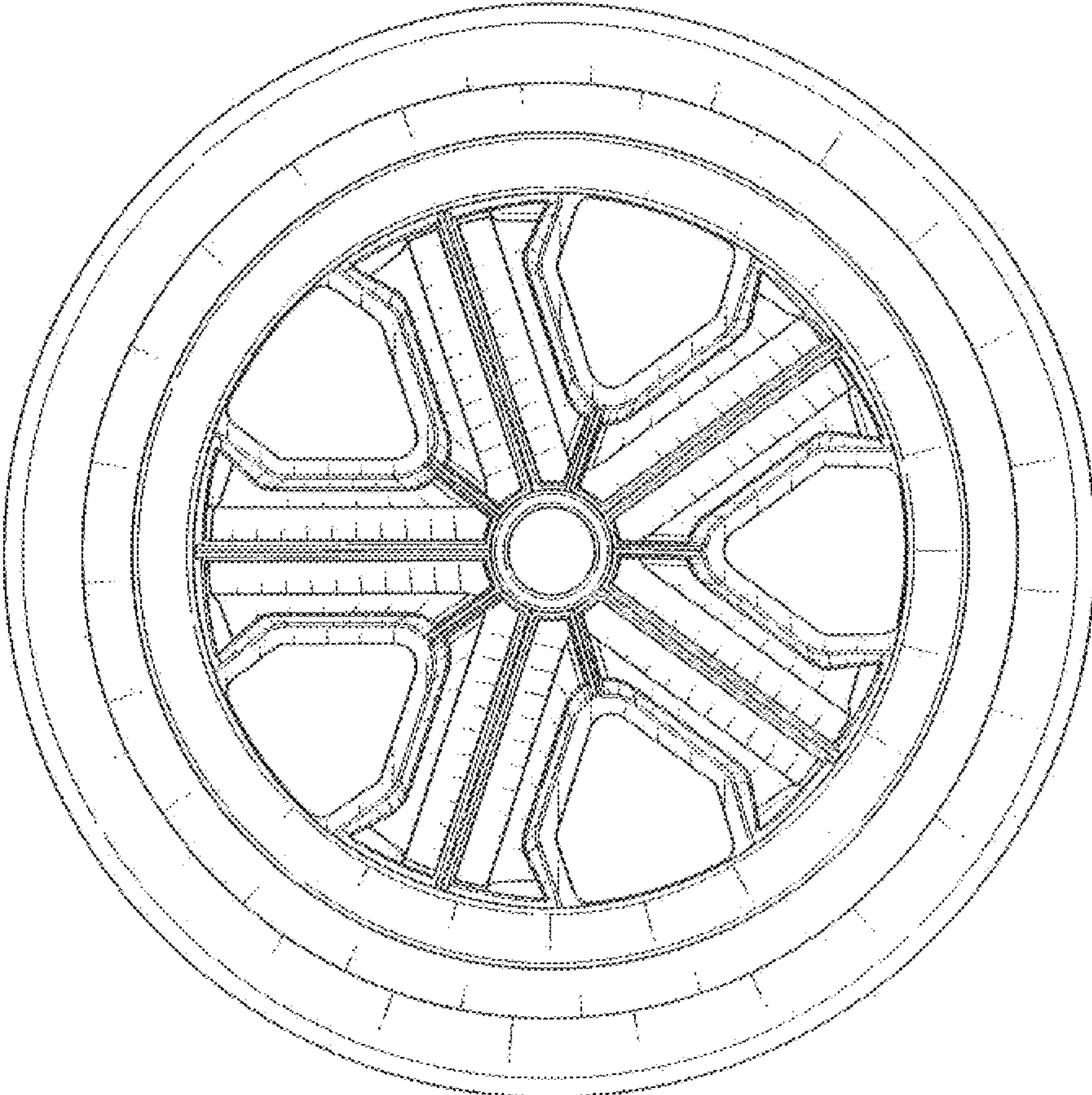


FIG. 8