



US00D912791S

(12) **United States Design Patent** (10) **Patent No.:** **US D912,791 S**
Herweck et al. (45) **Date of Patent:** **** Mar. 9, 2021**

(54) **PERSONAL HEATING OR COOLING DEVICE**

- (71) Applicant: **Airwirl, LLC**, North Palm Beach, FL (US)
- (72) Inventors: **Steve A. Herweck**, Wellesley Hills, MA (US); **Dana Herweck**, Wellesley Hills, MA (US); **Michael McCarthy**, Palm Beach Gardens, FL (US)
- (73) Assignee: **Airwirl, LLC**, North Palm Beach, FL (US)
- (**) Term: **15 Years**

(21) Appl. No.: **29/672,323**

(22) Filed: **Dec. 4, 2018**

(51) **LOC (13) Cl.** **23-04**

(52) **U.S. Cl.**
USPC **D23/355**

(58) **Field of Classification Search**
USPC D23/355-366, 352, 369, 332, 333, 335, D23/336, 342, 351; 422/120, 122; 55/356, 473, 504; 96/97; 261/DIG. 17, 261/DIG. 65, DIG. 88, DIG. 31
CPC .. A61L 9/16; A61L 9/22; B01D 47/00; B01D 2259/4508; F24F 3/16; F24F 13/20; F24F 2001/0096; F24F 3/1405; F24F 3/1603; F24F 13/222

See application file for complete search history.

(56) **References Cited**

U.S. PATENT DOCUMENTS

- D244,692 S * 6/1977 Schimanski D23/369
- D364,676 S * 11/1995 Chiu D23/356
- D440,288 S 4/2001 Schaefer
- D443,053 S 5/2001 Schaefer
- D464,130 S * 10/2002 Denham D23/366
- D628,285 S 11/2010 Febregas

(Continued)

OTHER PUBLICATIONS

Amazon.com, Airwirl Personal Cooling & Heating System—Portable Aircon—with Air Tube (Greystone), Apr. 11, 2019, <https://www.amazon.com/Airwirl-Personal-Cooling-Portable-Greystone/dp/>(Year: 2019).

(Continued)

Primary Examiner — David G Muller
(74) *Attorney, Agent, or Firm* — Morse, Barnes-Brown & Pendleton, P.C.; Sean D. Detweiler, Esq.

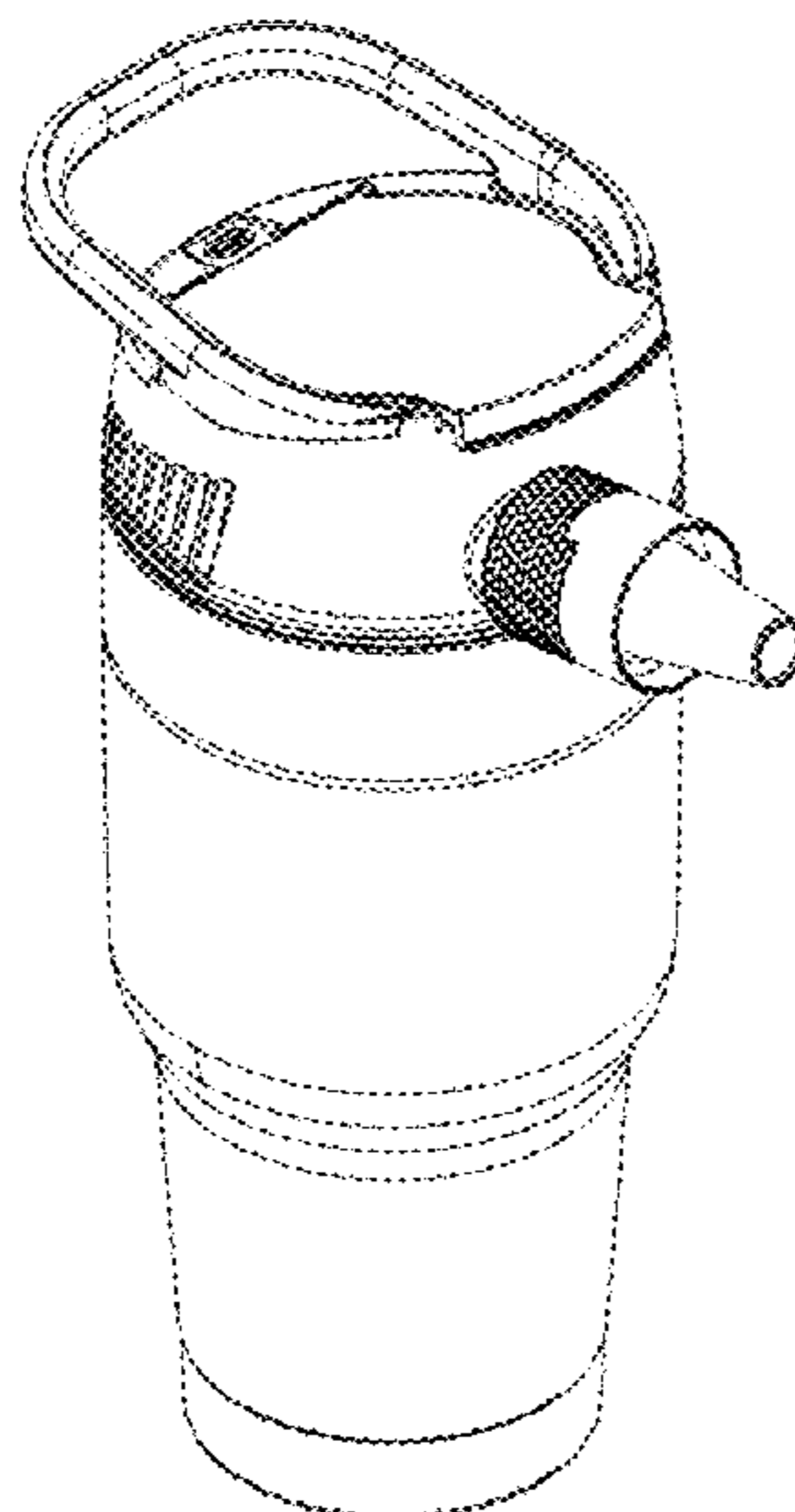
(57) **CLAIM**

The ornamental design for the personal heating or cooling device, as shown and described.

DESCRIPTION

FIG. 1 is a front plan view of the personal heating or cooling device;
 FIG. 2 is a left side plan view of the personal heating or cooling device;
 FIG. 3 is a rear plan view of the personal heating or cooling device;
 FIG. 4 is a right side plan view of the personal heating or cooling device;
 FIG. 5 is a top plan view of the personal heating or cooling device;
 FIG. 6 is a bottom plan view of the personal heating or cooling device;
 FIG. 7 is a front right side elevated isometric view of the personal heating or cooling device;
 FIG. 8 is a front left side elevated isometric view of the personal heating or cooling device;
 FIG. 9 is a bottom right side isometric view of the personal heating or cooling device;
 FIG. 10 is a bottom left side isometric view of the personal heating or cooling device; and,
 FIG. 11 is a rear left side elevated isometric view of the personal heating or cooling device.

1 Claim, 6 Drawing Sheets



(56)

References Cited

U.S. PATENT DOCUMENTS

D631,954 S 2/2011 Bertassi
 D659,814 S 5/2012 Yamase
 D659,815 S 5/2012 Yamase
 D663,018 S 7/2012 Sordo
 D700,694 S 3/2014 Sordo
 D712,532 S 9/2014 Adair
 D724,714 S * 3/2015 Benson D23/332
 D731,635 S 6/2015 Venisti
 D752,730 S 3/2016 Loubiere
 D756,497 S * 5/2016 Norman D23/355
 D757,239 S * 5/2016 Kim D23/359
 D763,430 S 8/2016 Shin
 D777,311 S 1/2017 Chen
 D782,638 S 3/2017 Rossi
 D790,679 S * 6/2017 Miller D23/356
 D797,999 S 9/2017 Seymour et al.
 D810,260 S * 2/2018 Sevy D23/366
 D810,263 S * 2/2018 Lu D23/366
 D810,265 S * 2/2018 Chen D23/366
 D813,366 S * 3/2018 Tang D23/366
 D816,823 S 5/2018 Gobber
 D822,817 S 7/2018 Maeckelberghe et al.

D855,167 S 7/2019 Li
 D859,622 S 9/2019 Herweck et al.
 D874,623 S 2/2020 Lupi

OTHER PUBLICATIONS

Notice of Allowance from U.S. Appl. No. 29/616,829, dated Jun. 4, 2019.
 Office Action from U.S. Appl. No. 29/616,829, dated Dec. 6, 2018.
 Office Action from U.S. Appl. No. 29/616,829, dated Jun. 15, 2018.
 Office Action from U.S. Appl. No. 29/638,930, dated Sep. 6, 2019.
 Non-Final Office Action from U.S. Appl. No. 29/713,910, dated Apr. 2, 2020.
 Final Office Action from U.S. Appl. No. 29/713,910, dated May 19, 2020.
 Notice of Allowance from U.S. Appl. No. 29/713,910, dated Aug. 25, 2020.
 Non-Final Office Action from U.S. Appl. No. 29/638,930, dated Aug. 4, 2020.
 Notice of Allowance for U.S. Appl. No. 29/638,930, dated Nov. 13, 2020.

* cited by examiner

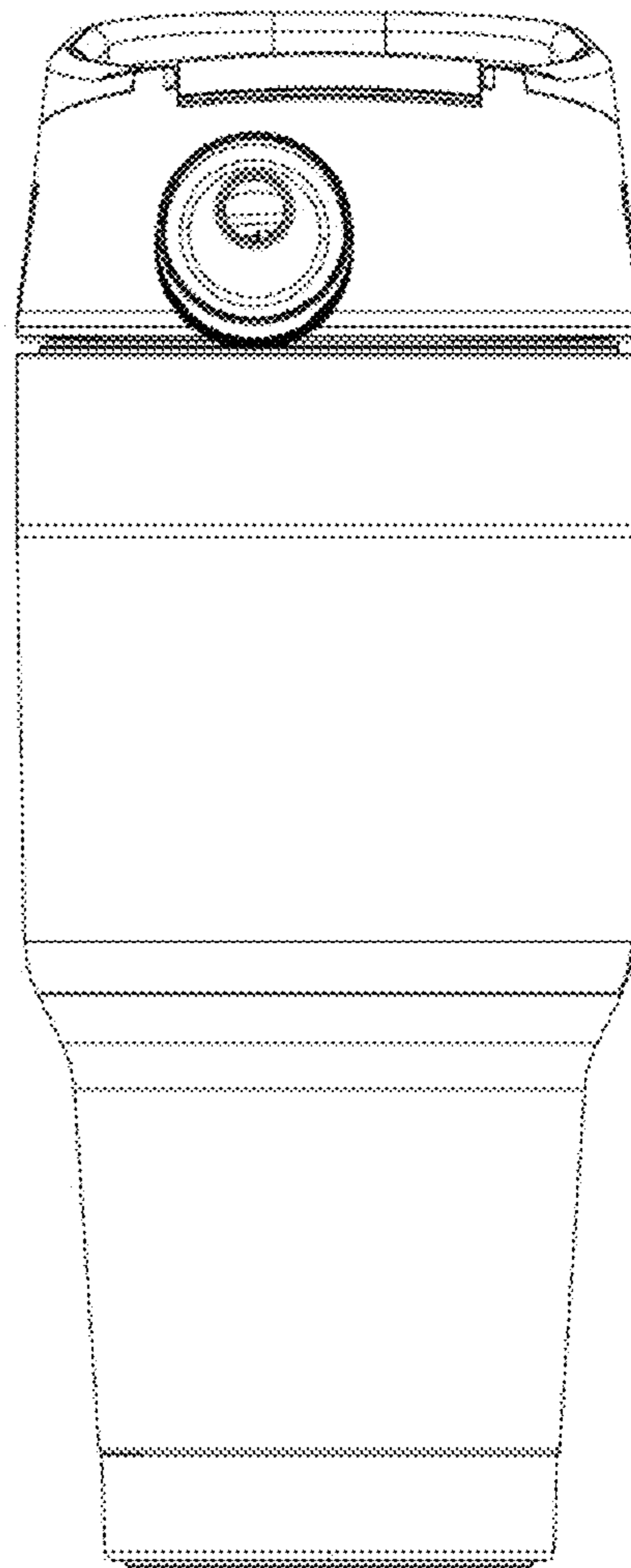


Fig. 1

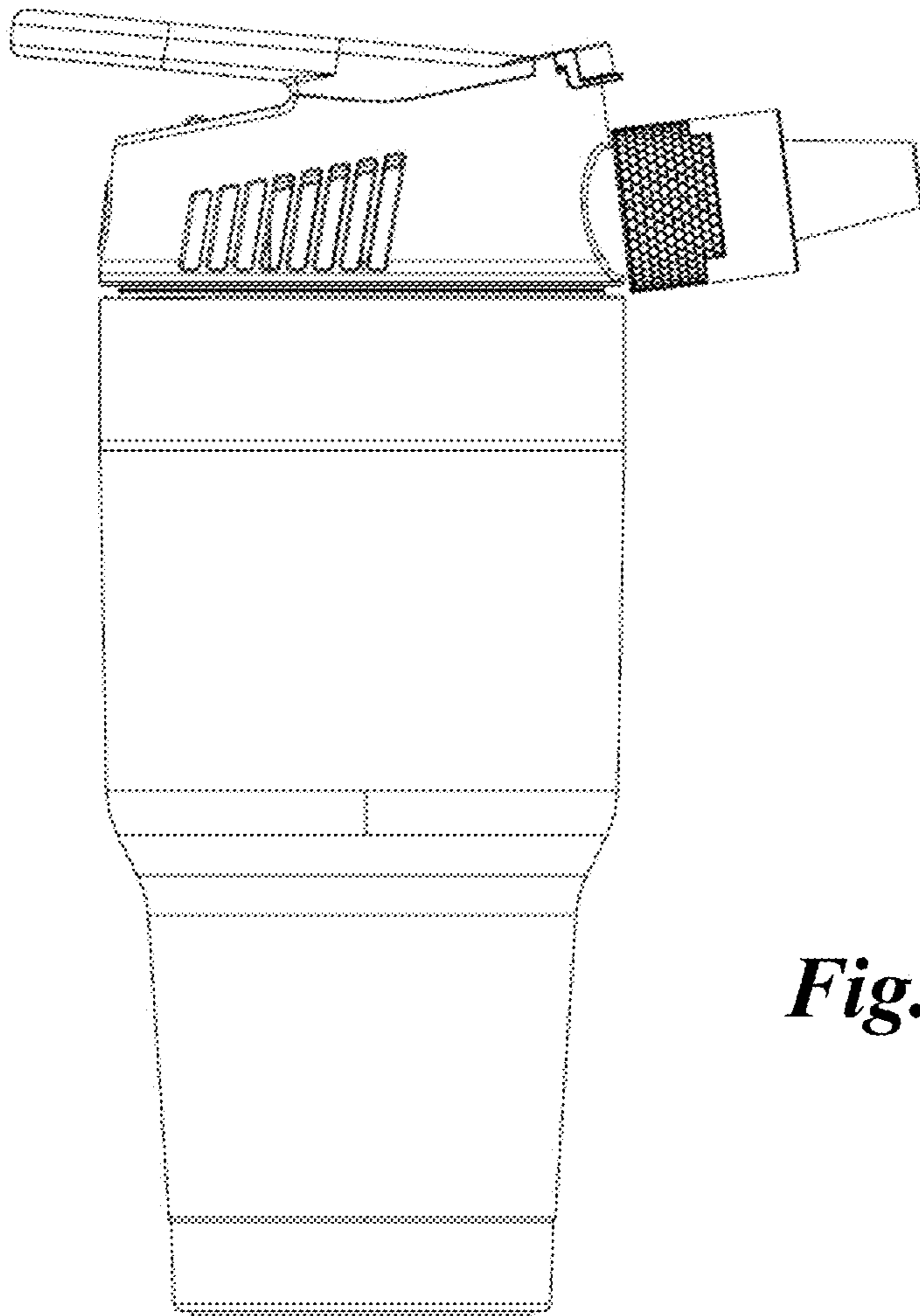


Fig. 2

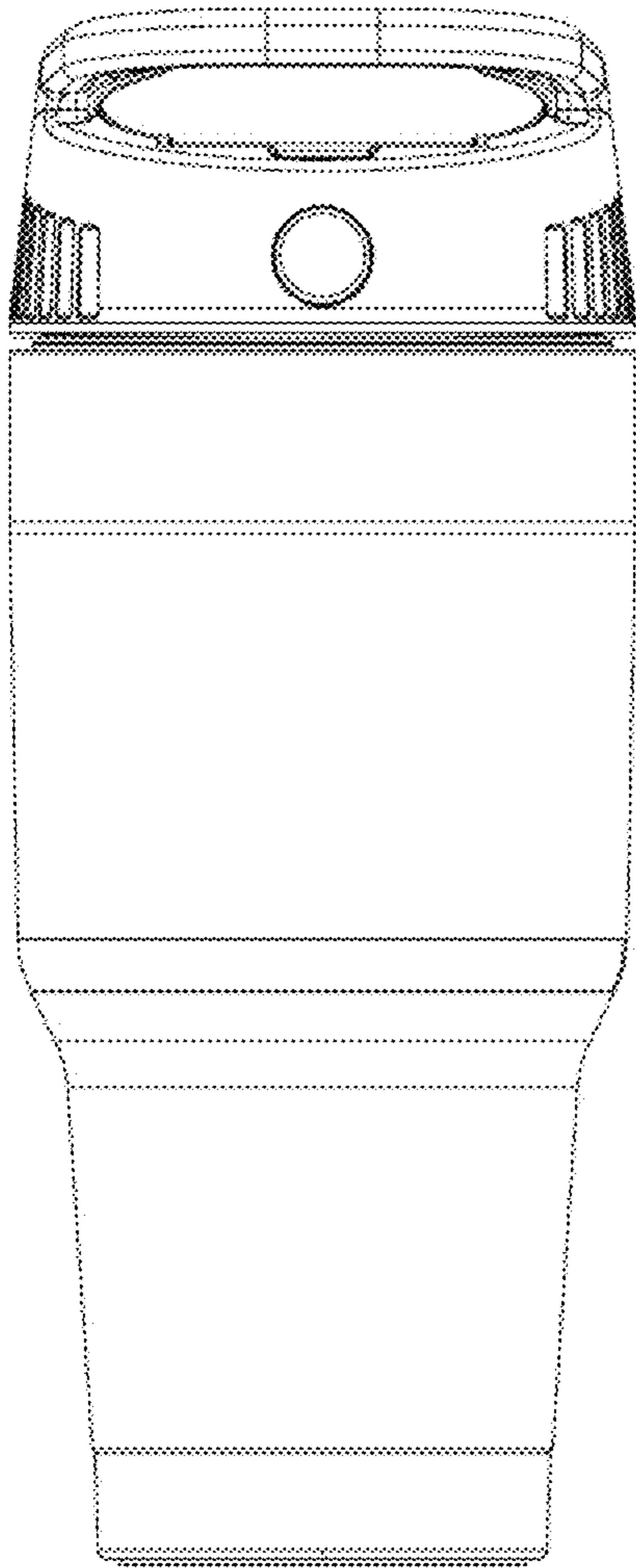


Fig. 3

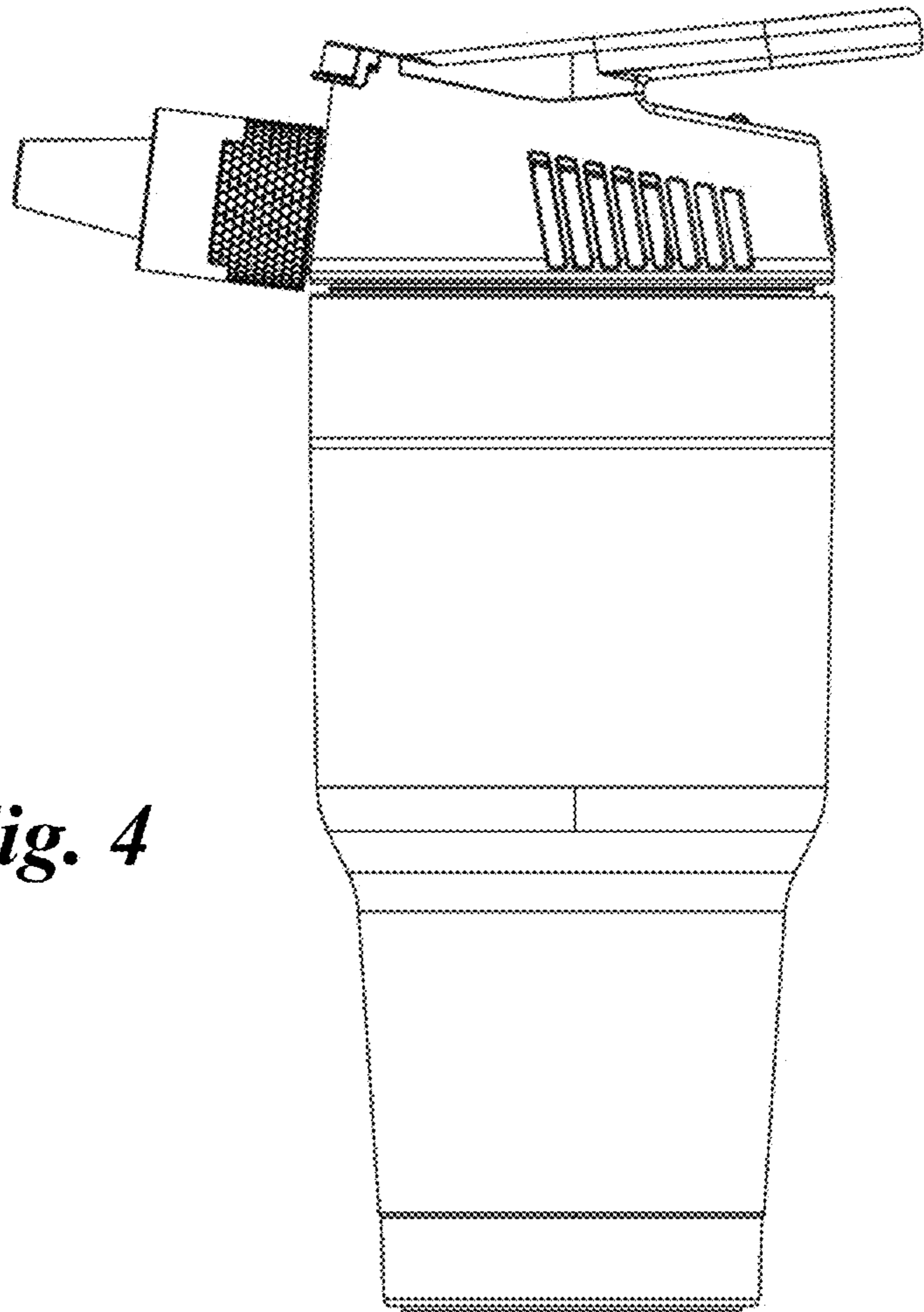


Fig. 4

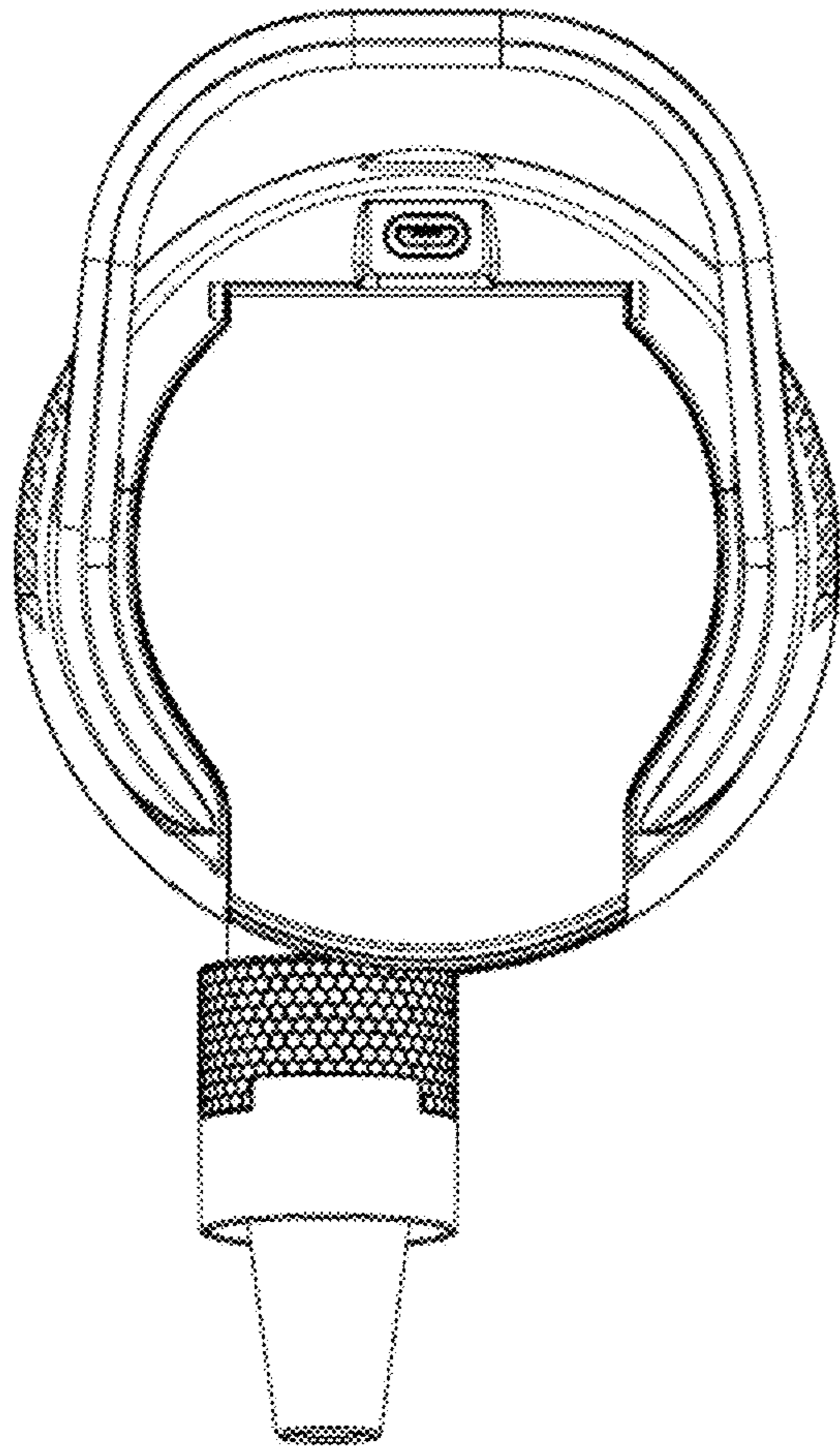


Fig. 5

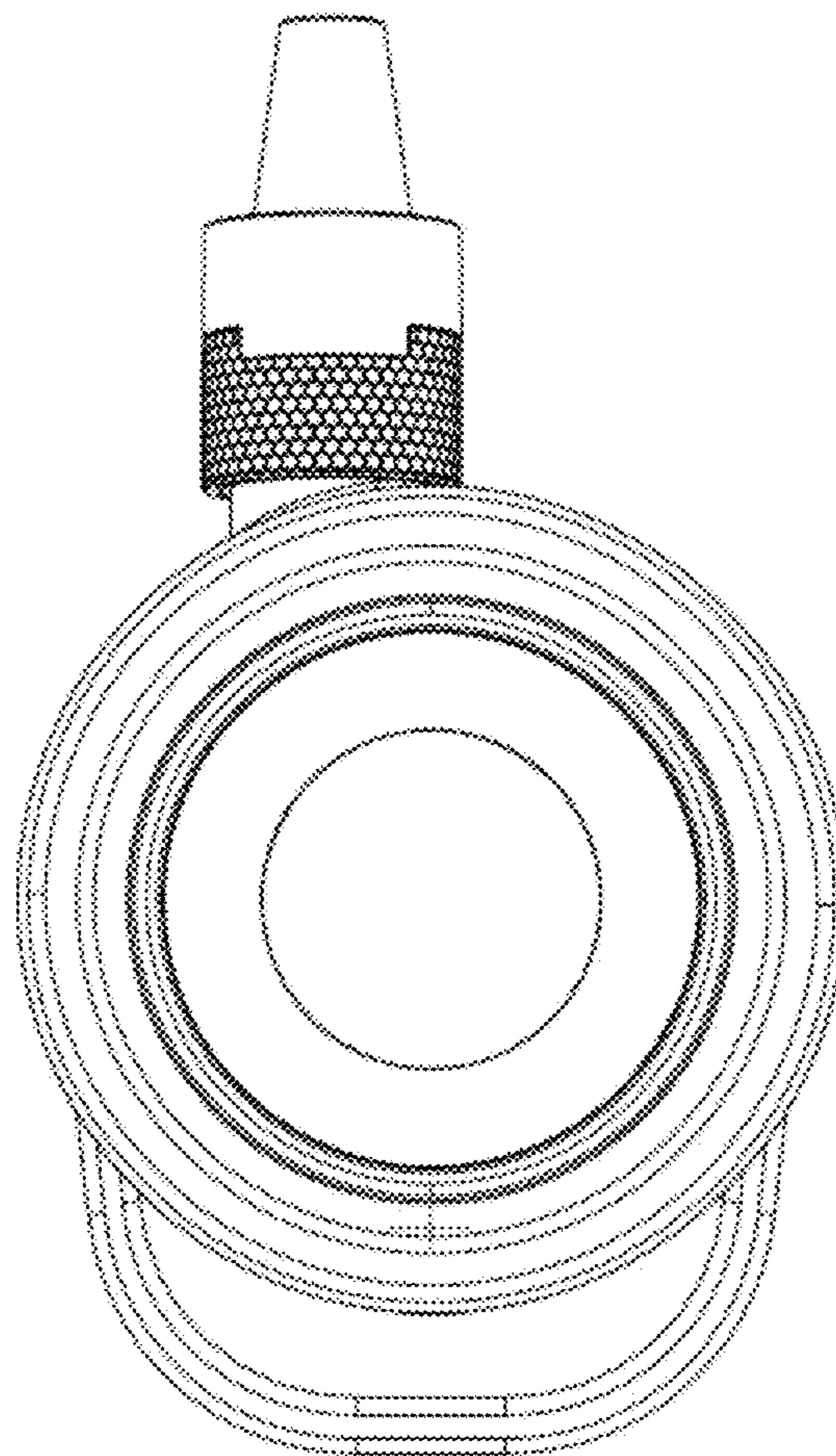


Fig. 6

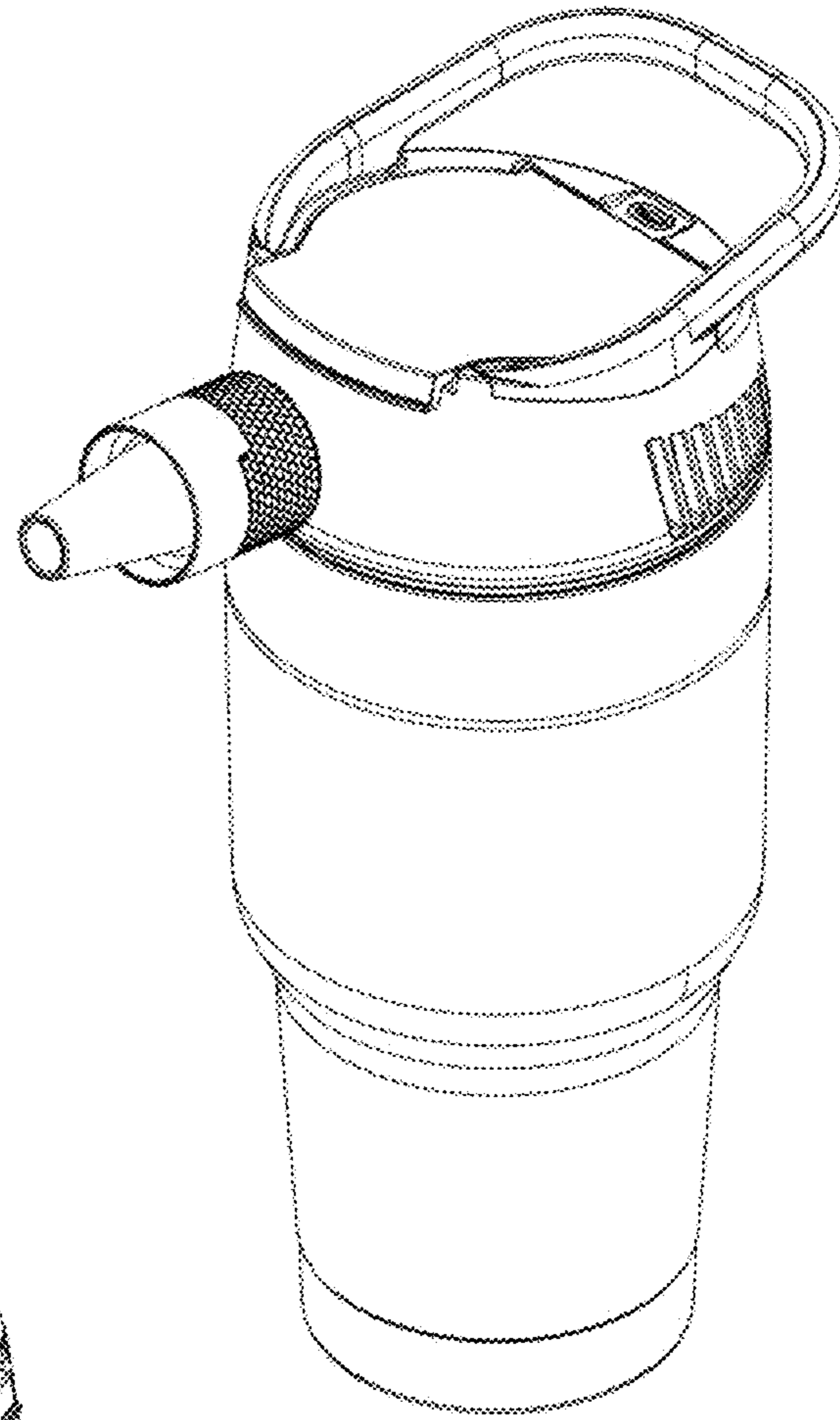


Fig. 7

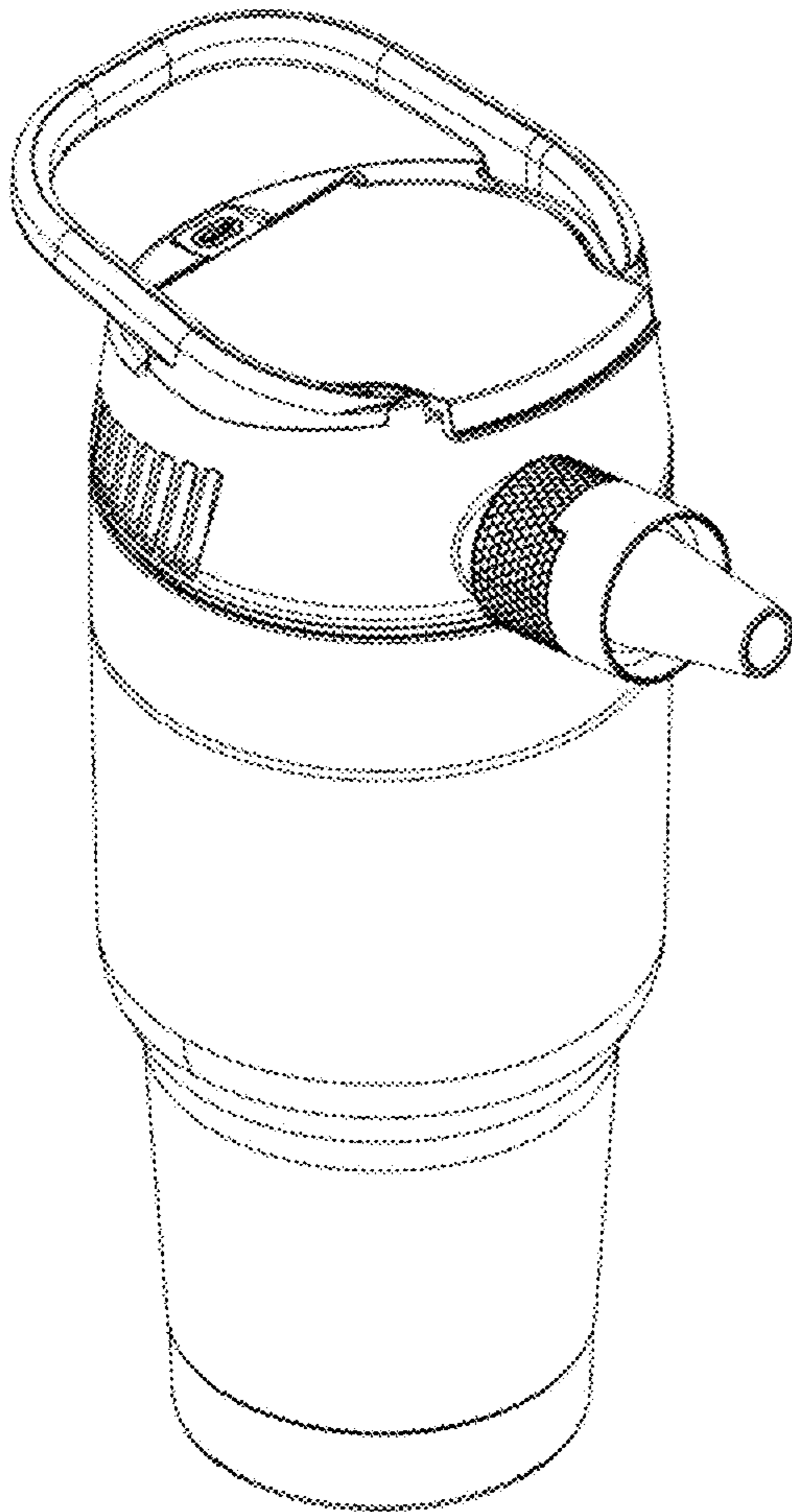


Fig. 8

Fig. 9

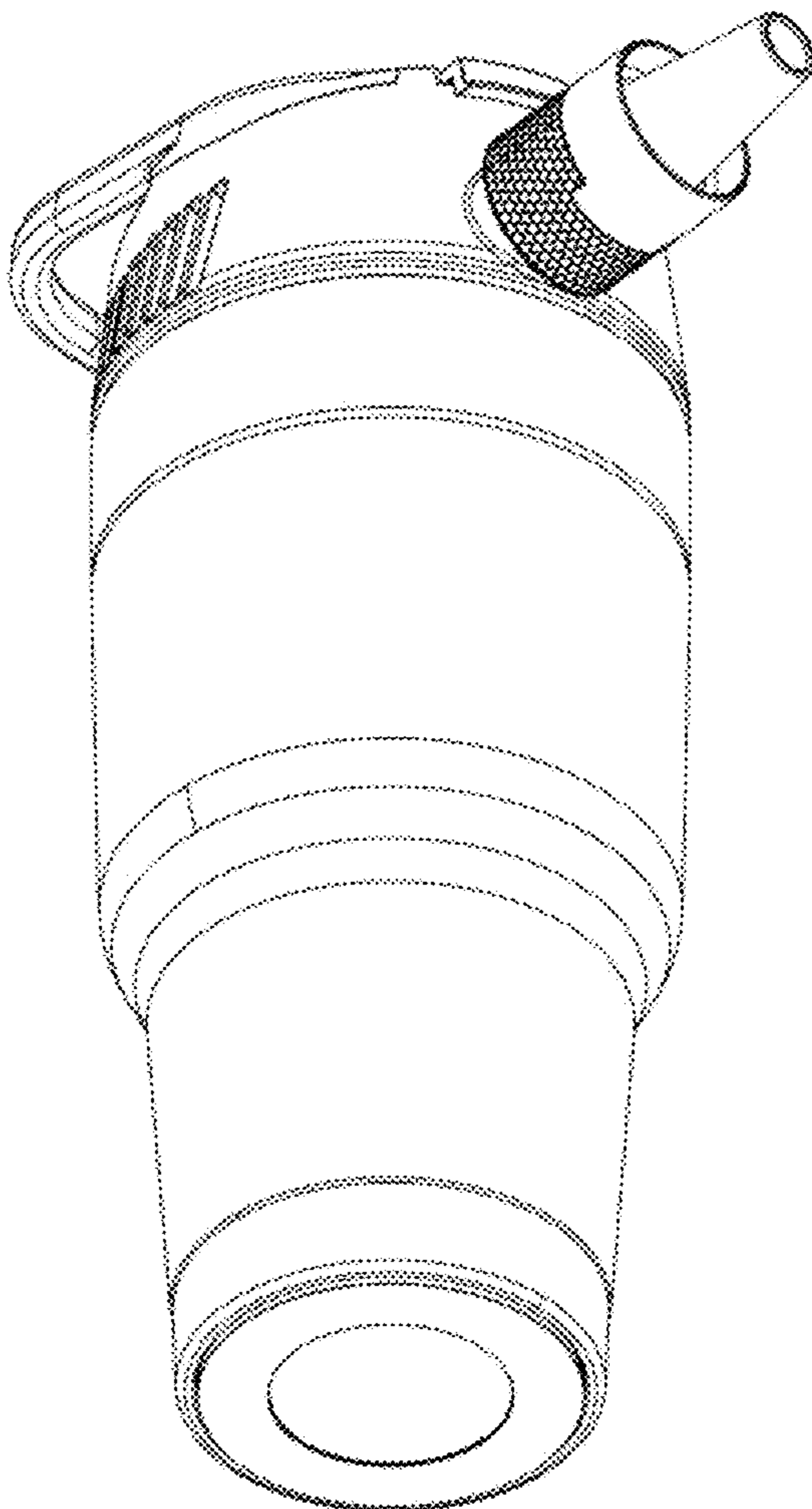
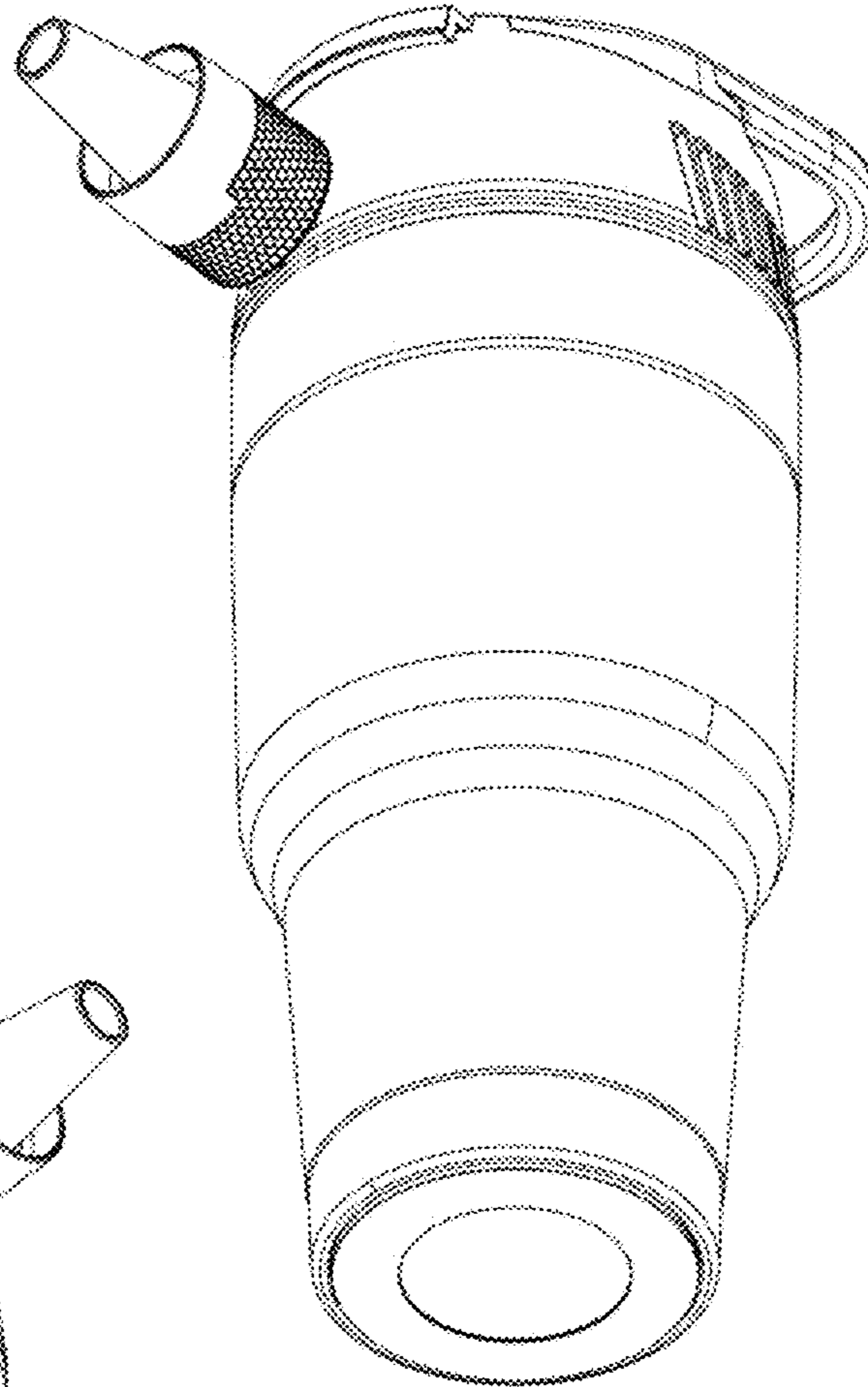


Fig. 10

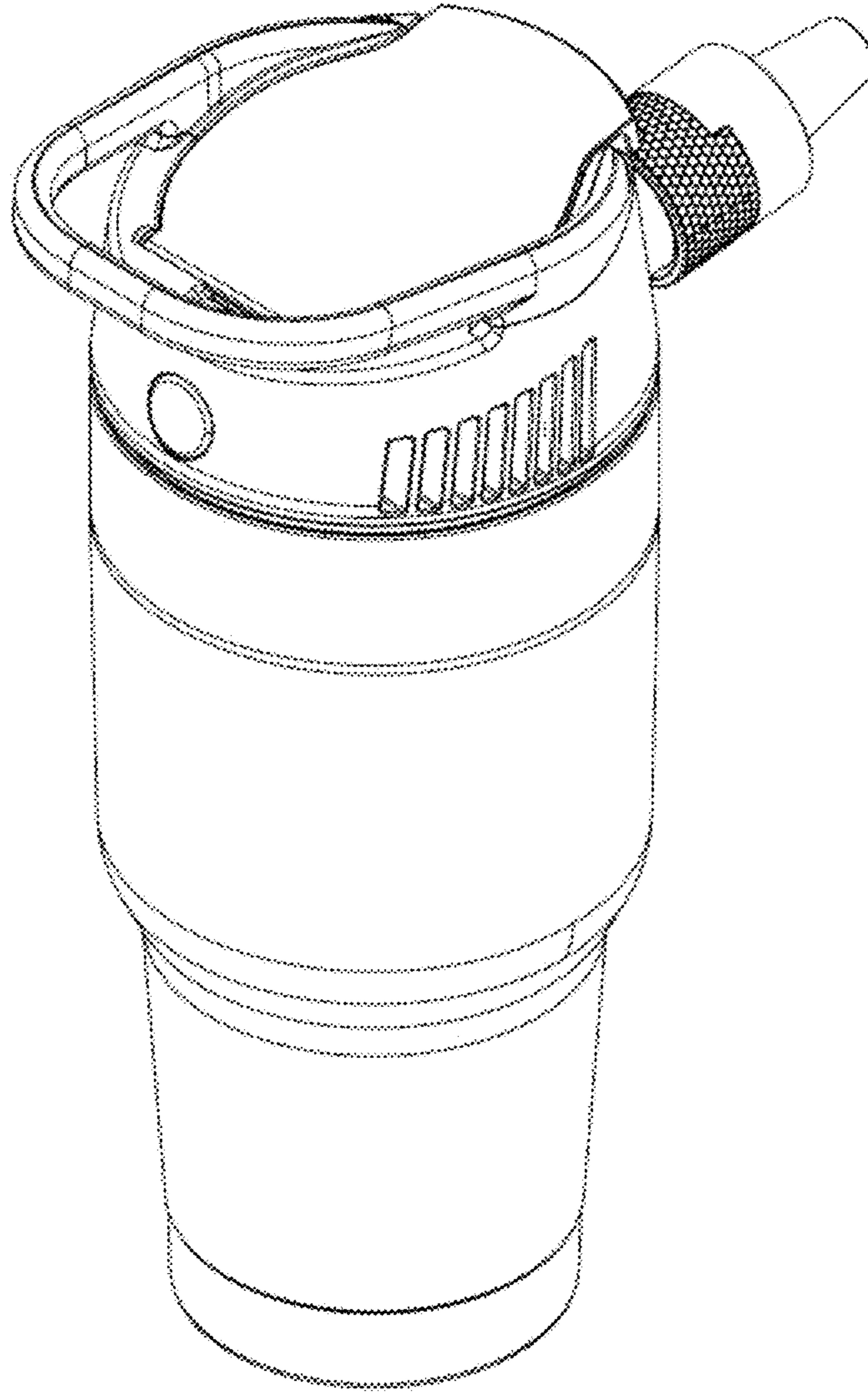


Fig. 11