



US00D912788S

(12) **United States Design Patent**
Adams

(10) **Patent No.:** **US D912,788 S**
(45) **Date of Patent:** **** Mar. 9, 2021**

(54) **SHOWER BASE**

(71) Applicant: **Russell Adams**, Sugar Hill, GA (US)

(72) Inventor: **Russell Adams**, Sugar Hill, GA (US)

(73) Assignee: **MTI Baths, Inc.**, Sugar Hill, GA (US)

(**) Term: **15 Years**

(21) Appl. No.: **29/682,301**

(22) Filed: **Mar. 4, 2019**

(51) **LOC (13) Cl.** **23-02**

(52) **U.S. Cl.**
USPC **D23/304**

(58) **Field of Classification Search**
USPC D23/303-304, 261, 267
CPC E03F 5/0408
See application file for complete search history.

(56) **References Cited**

U.S. PATENT DOCUMENTS

D731,630 S * 6/2015 DeSocio D23/304
D863,515 S * 10/2019 Rocandio Mazagatos .. D23/304

D875,904 S * 2/2020 Rocandio Mazagatos .. D23/304
2013/0025044 A1* 1/2013 Moyer A47K 3/40
4/614
2016/0160488 A1* 6/2016 Nemec E03F 5/0408
137/343
2017/0164791 A1* 6/2017 Provence A47K 3/405
2020/0154952 A1* 5/2020 Fenna A47K 3/30

* cited by examiner

Primary Examiner — Robert A Delehanty

(74) *Attorney, Agent, or Firm* — Stephen J. Stark; Miller & Martin PLLC

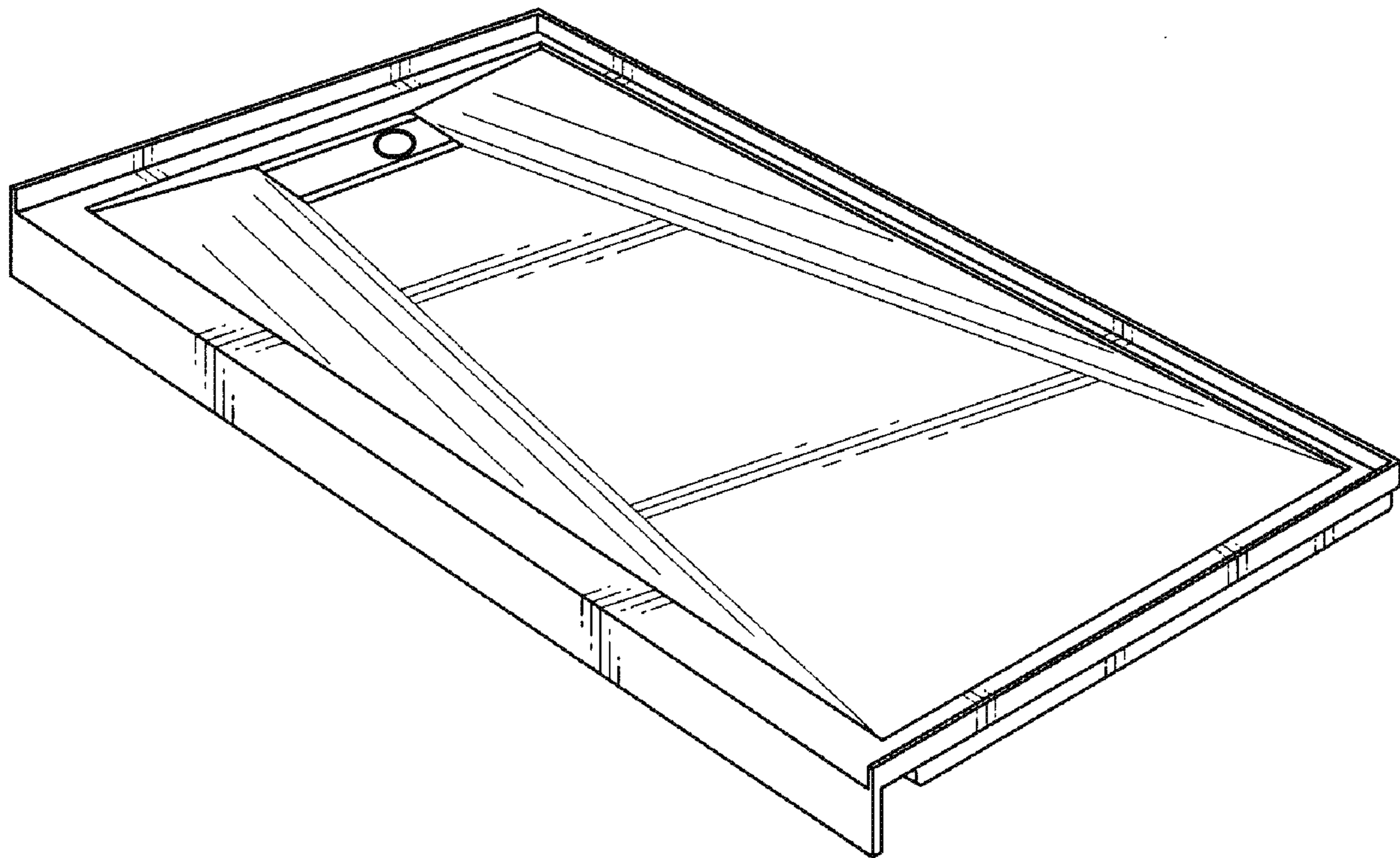
(57) **CLAIM**

The ornamental design for a shower base, as shown and described.

DESCRIPTION

FIG. 1 is a top perspective view of a shower base embodying my new design;
FIG. 2 is a top plan view thereof;
FIG. 3 is a front plan view thereof;
FIG. 4 is a rear plan view thereof;
FIG. 5 is a left side plan view thereof; and,
FIG. 6 is a right side plan view thereof.

1 Claim, 6 Drawing Sheets



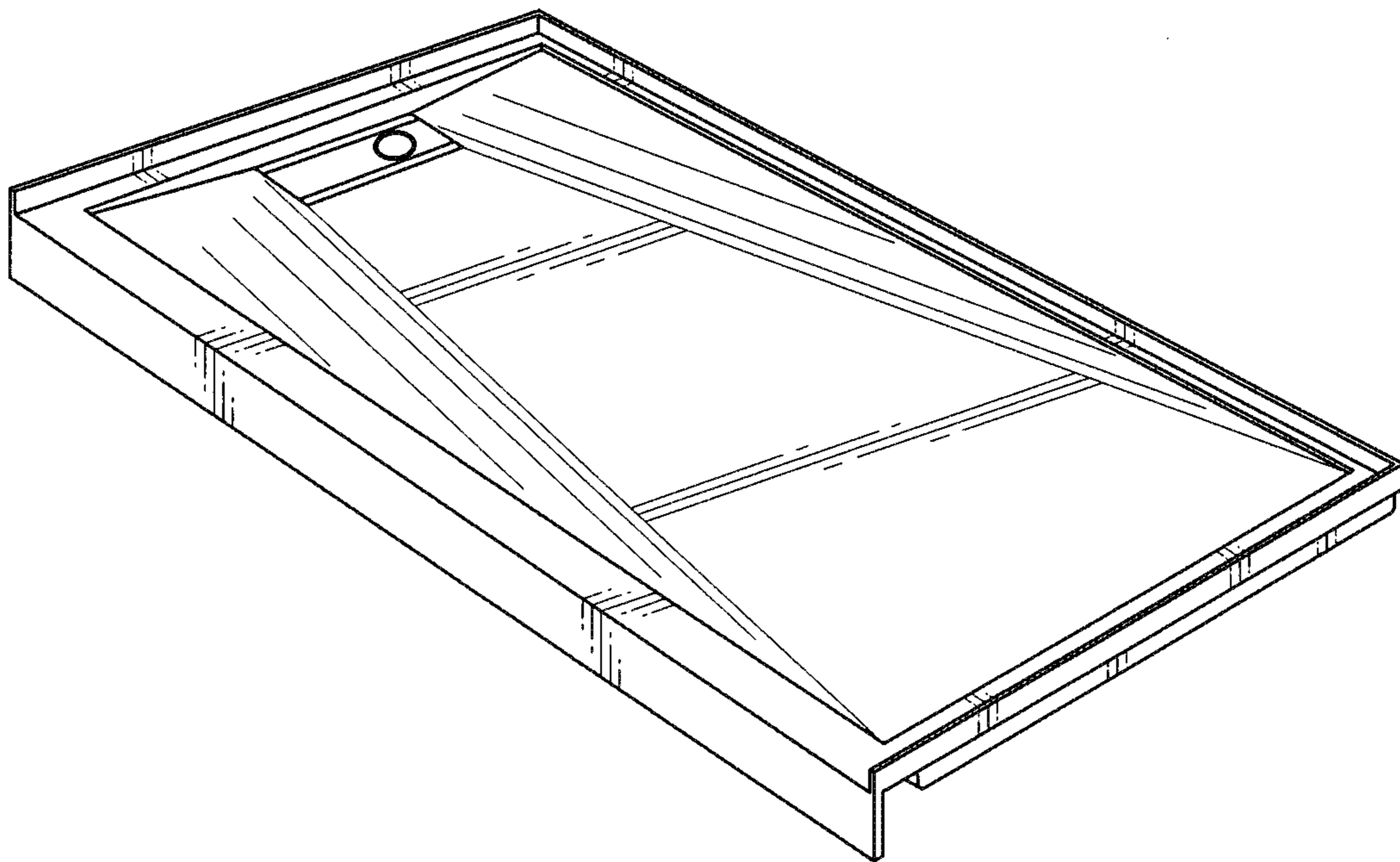


FIG. 1

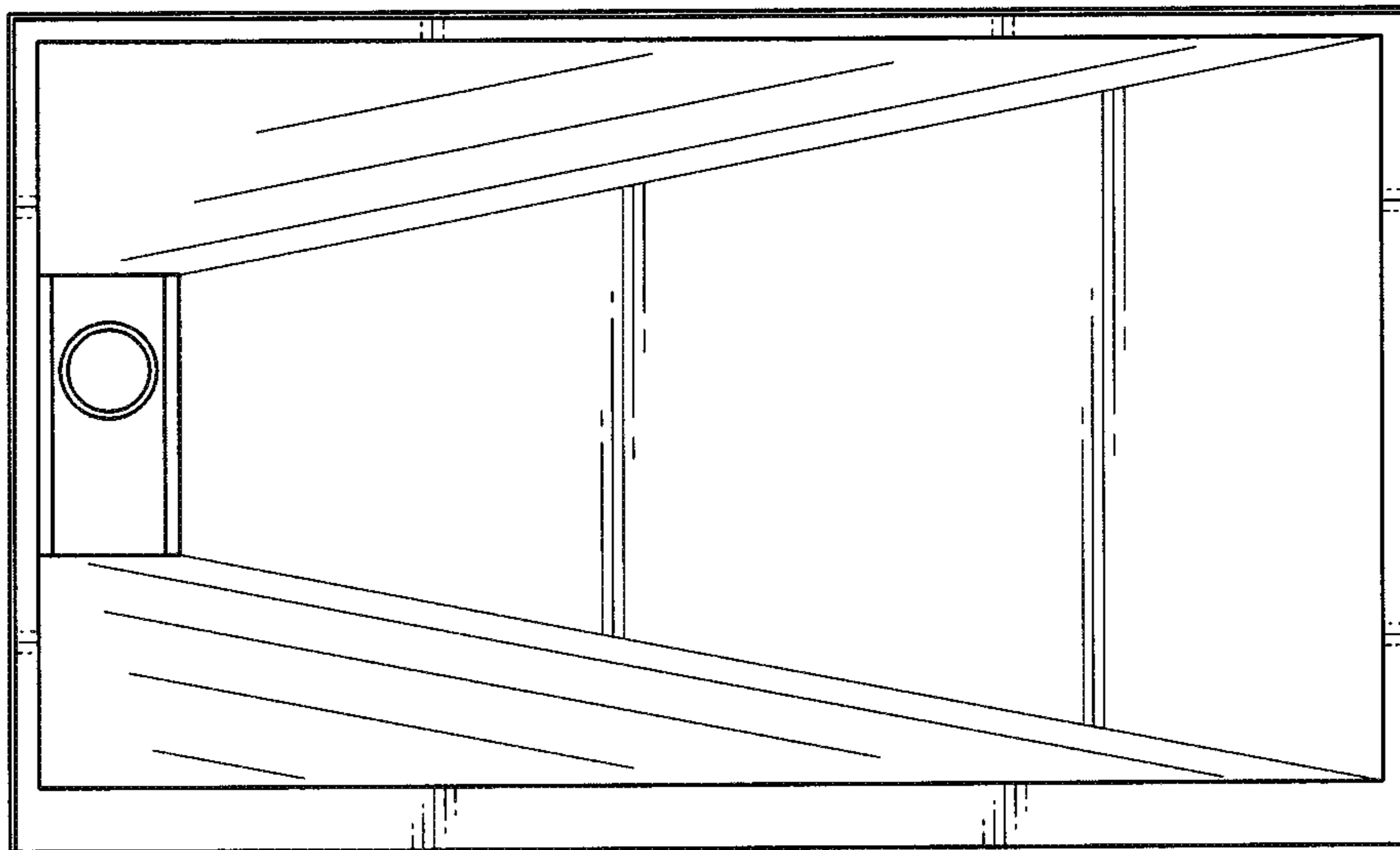


FIG. 2



FIG. 3

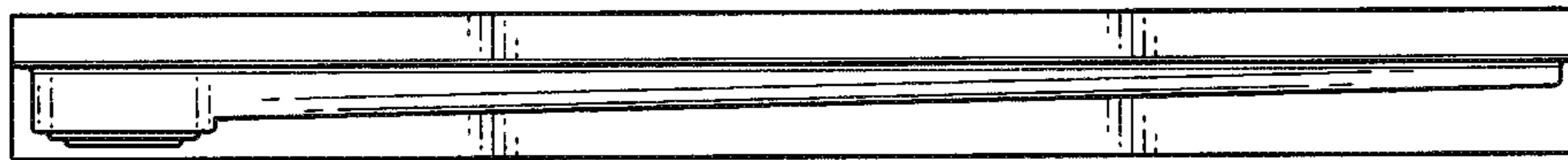


FIG. 4

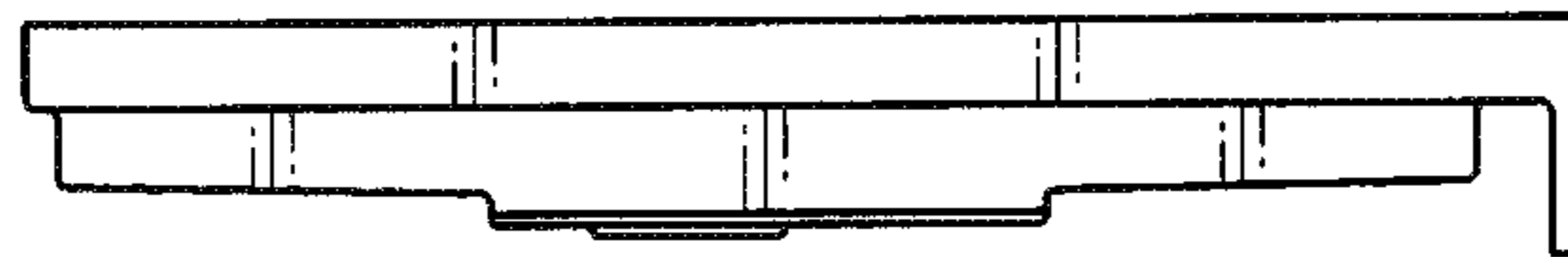


FIG. 5

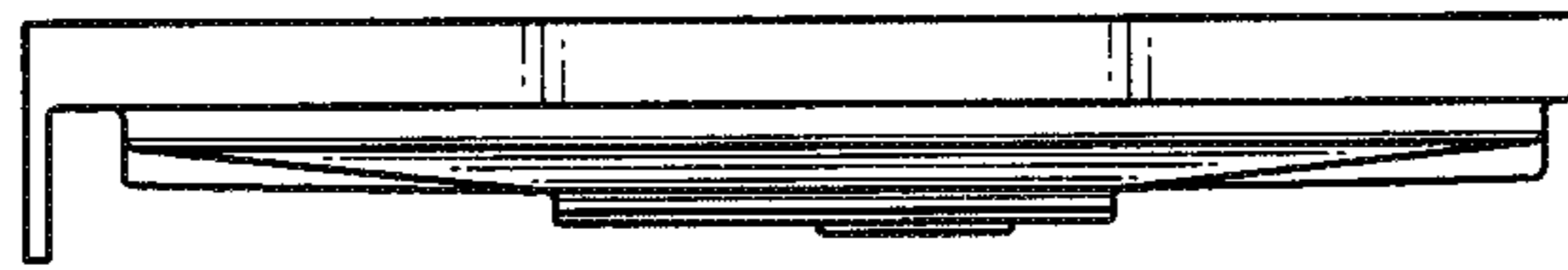


FIG. 6