



US00D912787S

(12) **United States Design Patent** (10) **Patent No.:** **US D912,787 S**
McKeone et al. (45) **Date of Patent:** **** Mar. 9, 2021**

(54) **TOILET**
(71) Applicant: **Kohler Co.**, Kohler, WI (US)
(72) Inventors: **William M. McKeone**, Sheboygan, WI (US); **Seth M. Stevens**, Tarrytown, NY (US); **Coralee S. Sandee**, Sheboygan, WI (US); **Jovello T. Gomez**, Kohler, WI (US)
(73) Assignee: **KOHLER CO.**, Kohler, WI (US)

654,993 A 7/1900 Martin
801,493 A 10/1905 James
807,480 A 12/1905 August
831,799 A 9/1906 Bruff
D353,658 S 12/1994 McKeone et al.
D387,858 S 12/1997 McKeone
D390,930 S * 2/1998 Slothower D23/295
D392,725 S * 3/1998 Garza D23/295
D412,742 S 8/1999 Soulier
D441,437 S 5/2001 McKeone
D451,175 S 11/2001 Smith
(Continued)

(**) Term: **15 Years**

OTHER PUBLICATIONS

(21) Appl. No.: **29/719,709**

Hometure Dual Flush Elongated One Piece Toilet [Jul. 29, 2019] found online [Jul. 27, 2019]—<https://www.ebay.com/itm/Hometure-Dual-Flush-Elongated-One-Piece-Toilet-with-Soft-Closing-Seat-Modern-/223005214305>.

(22) Filed: **Jan. 7, 2020**

Related U.S. Application Data

(62) Division of application No. 29/644,900, filed on Apr. 20, 2018, now Pat. No. Des. 875,225.

Primary Examiner — John A Voytek

(74) *Attorney, Agent, or Firm* — Foley & Lardner LLP

(51) **LOC (13) Cl.** **23-02**

(57) **CLAIM**

(52) **U.S. Cl.**
USPC **D23/301**

We claim the ornamental design for a toilet, as shown and described.

(58) **Field of Classification Search**
USPC D23/295–303, 309, 311–313
CPC A47K 11/02; A47K 11/026; A47K 11/00;
A47K 13/00; E03D 11/18; E03D 5/10;
E03D 13/00

DESCRIPTION

See application file for complete search history.

FIG. 1 is a top, front, right perspective view of the claimed design;
FIG. 2 is a right side elevation view thereof;
FIG. 3 is a left side elevation view thereof;
FIG. 4 is a front elevation view thereof;
FIG. 5 is a rear elevation view thereof;
FIG. 6 is a top plan view thereof; and,
FIG. 7 is a bottom plan view thereof.

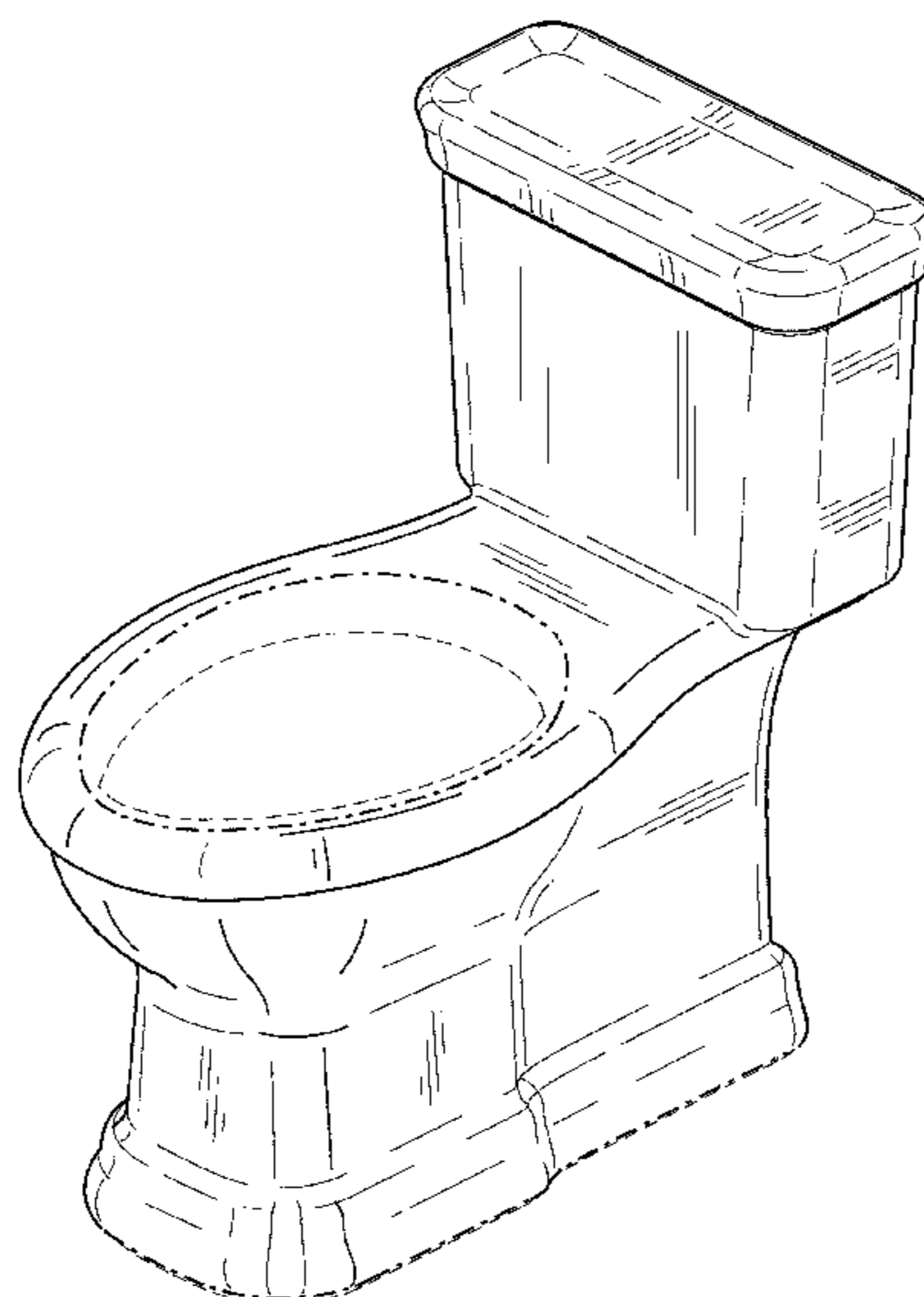
(56) **References Cited**

U.S. PATENT DOCUMENTS

558,313 A 4/1896 Eose
582,530 A 5/1897 Hyatt
594,944 A 12/1897 Gilbert
615,635 A 12/1898 Peltier
624,165 A 5/1899 Bowdisii
646,366 A 3/1900 Durst
653,314 A 7/1900 Rhodes
653,315 A 7/1900 Richardson

The broken lines in the drawings are for illustrative purposes only and form no part of the claimed design. Broken lines formed by equal length dashes show unclaimed subject matter. Broken lines formed by unequal length dashes (i.e., dash-dot) define bounds of the claimed design.

1 Claim, 4 Drawing Sheets



(56)

References Cited

U.S. PATENT DOCUMENTS

D514,673	S	2/2006	Lanius	
D515,185	S	2/2006	Daikubara	
D515,186	S	* 2/2006	Lanius	D23/301
D523,126	S	* 6/2006	Bates	D23/295
D532,875	S	11/2006	Kaule	
D536,771	S	2/2007	Chenesseau	
D539,881	S	4/2007	Bates	
D542,396	S	5/2007	Bates	
D556,301	S	* 11/2007	Lin	D23/295
D601,233	S	9/2009	Kergoet	
D602,137	S	10/2009	Kergoet	
D621,488	S	* 8/2010	Bucher	D23/301
D637,702	S	5/2011	Rexach	
D641,459	S	7/2011	Corpuz, Jr. et al.	
D649,627	S	11/2011	Corpuz, Jr. et al.	
D652,493	S	* 1/2012	Bucher	D23/301
D657,030	S	4/2012	Bates	
D672,019	S	* 12/2012	Bucher	D23/301
D690,402	S	9/2013	Bates et al.	
D694,378	S	11/2013	Bates	
D694,379	S	11/2013	Bates	
D695,384	S	12/2013	Bates	
D750,763	S	* 3/2016	Eads	D23/301
D751,680	S	* 3/2016	McNinch	D23/301
D767,742	S	9/2016	Bates et al.	
D781,405	S	3/2017	Bates	
D792,565	S	* 7/2017	Ishikawa	D23/301
D798,424	S	9/2017	Mesun et al.	
D800,281	S	* 10/2017	Bahler	D23/301
D801,490	S	10/2017	Stevenson et al.	
D801,491	S	10/2017	Stevenson et al.	
D802,105	S	11/2017	Stevenson et al.	
D802,106	S	11/2017	Stevenson et al.	
D847,959	S	* 5/2019	Bucher	D23/301

* cited by examiner

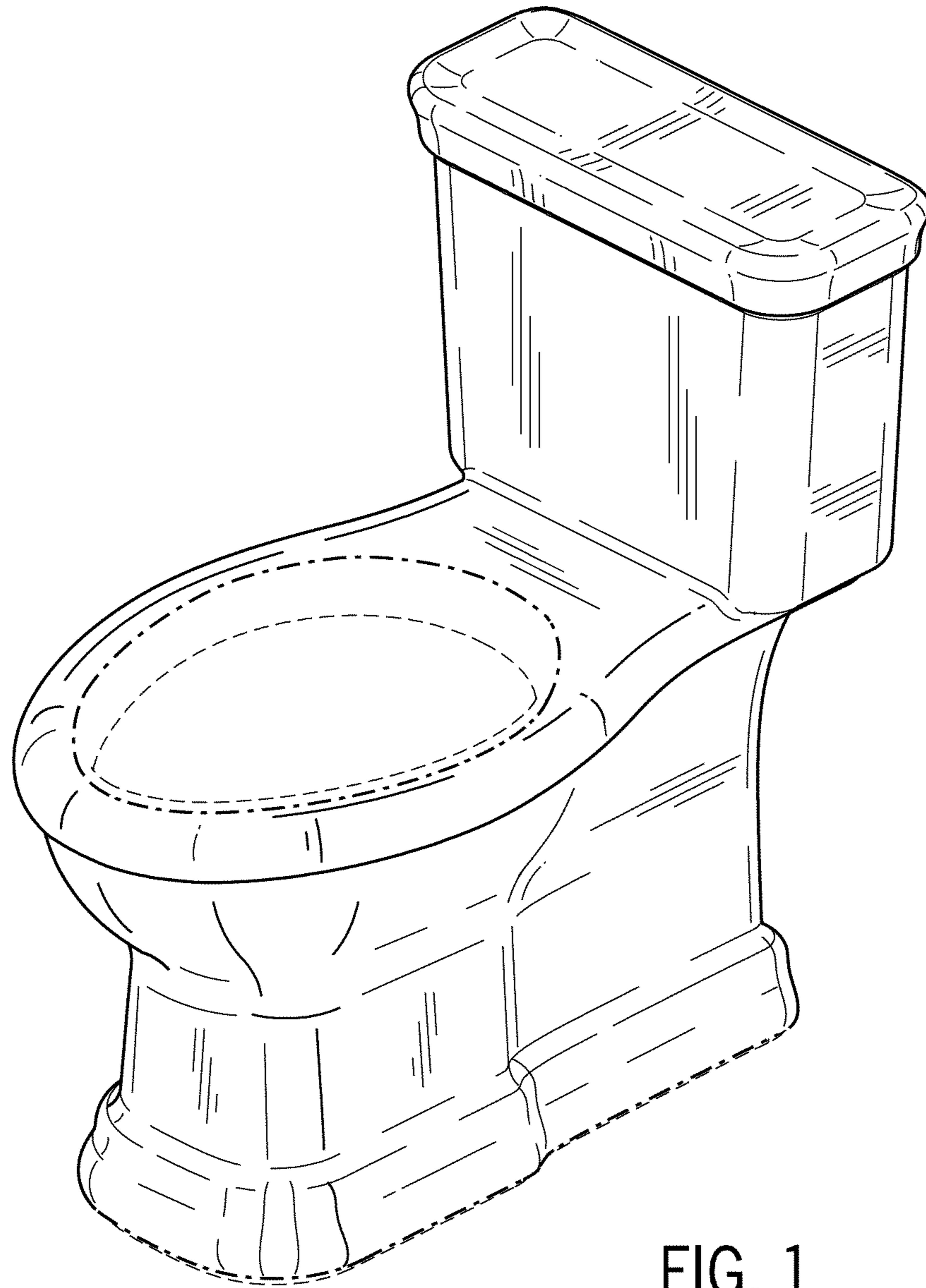


FIG. 1

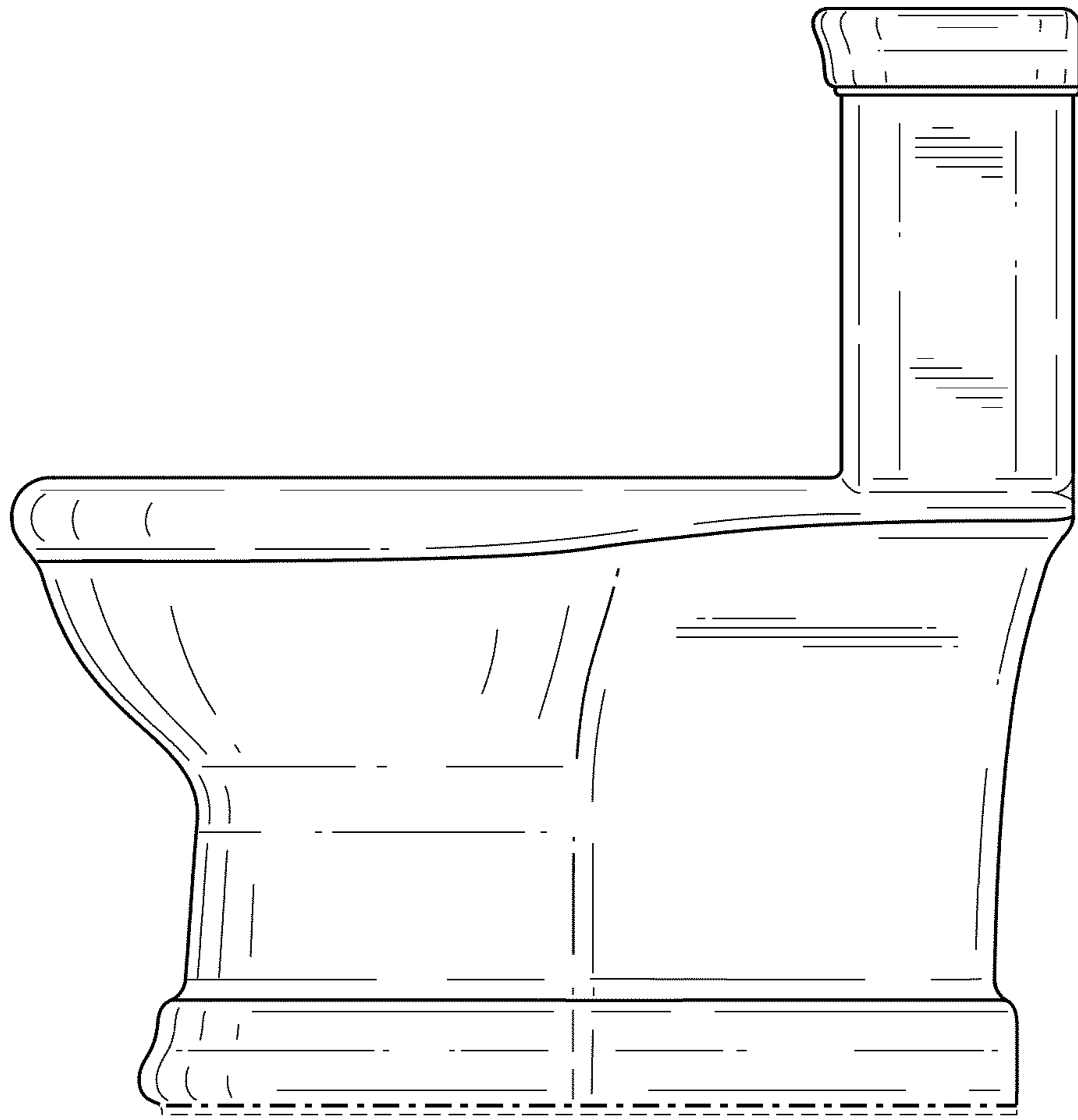


FIG. 2

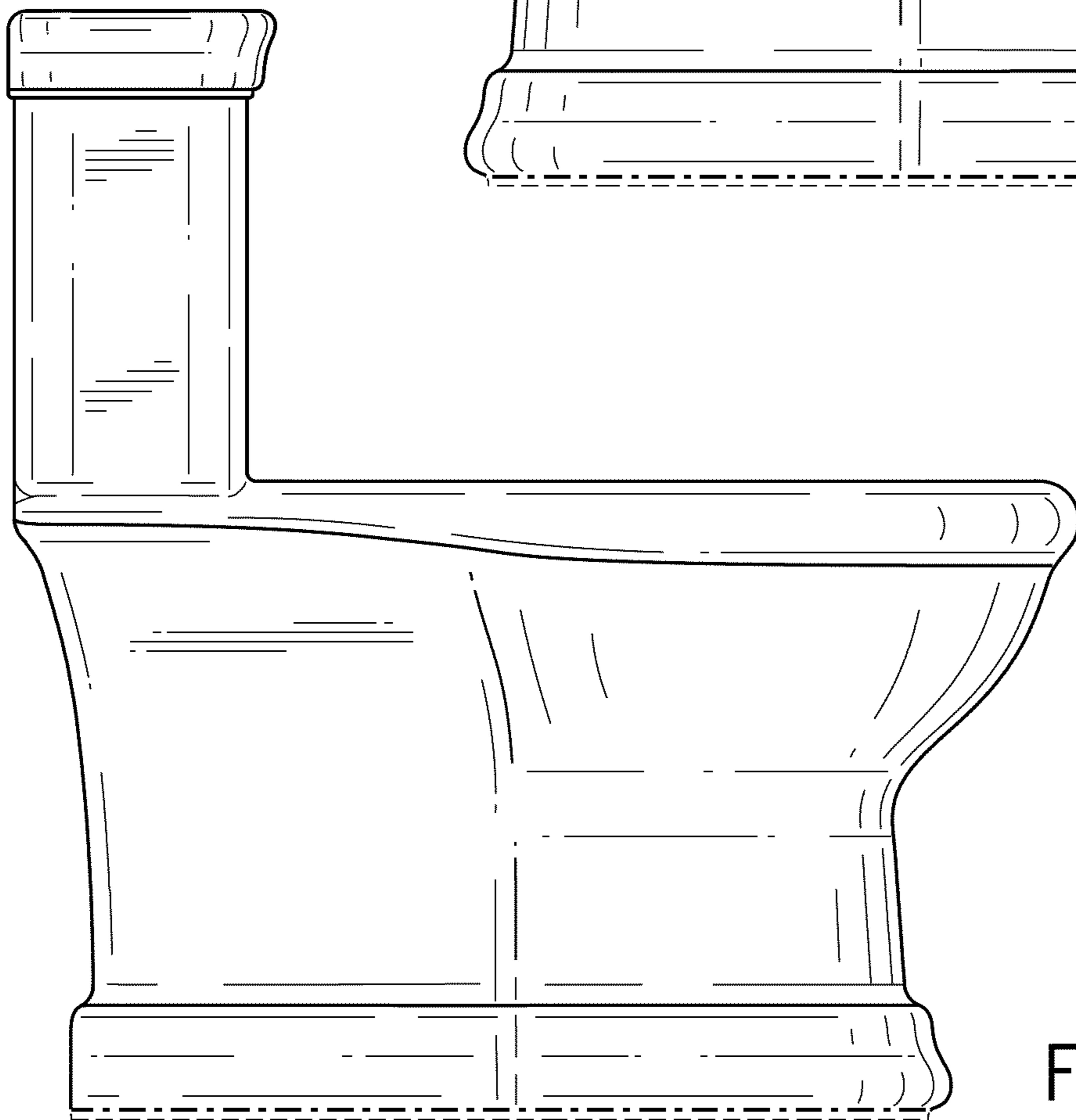


FIG. 3

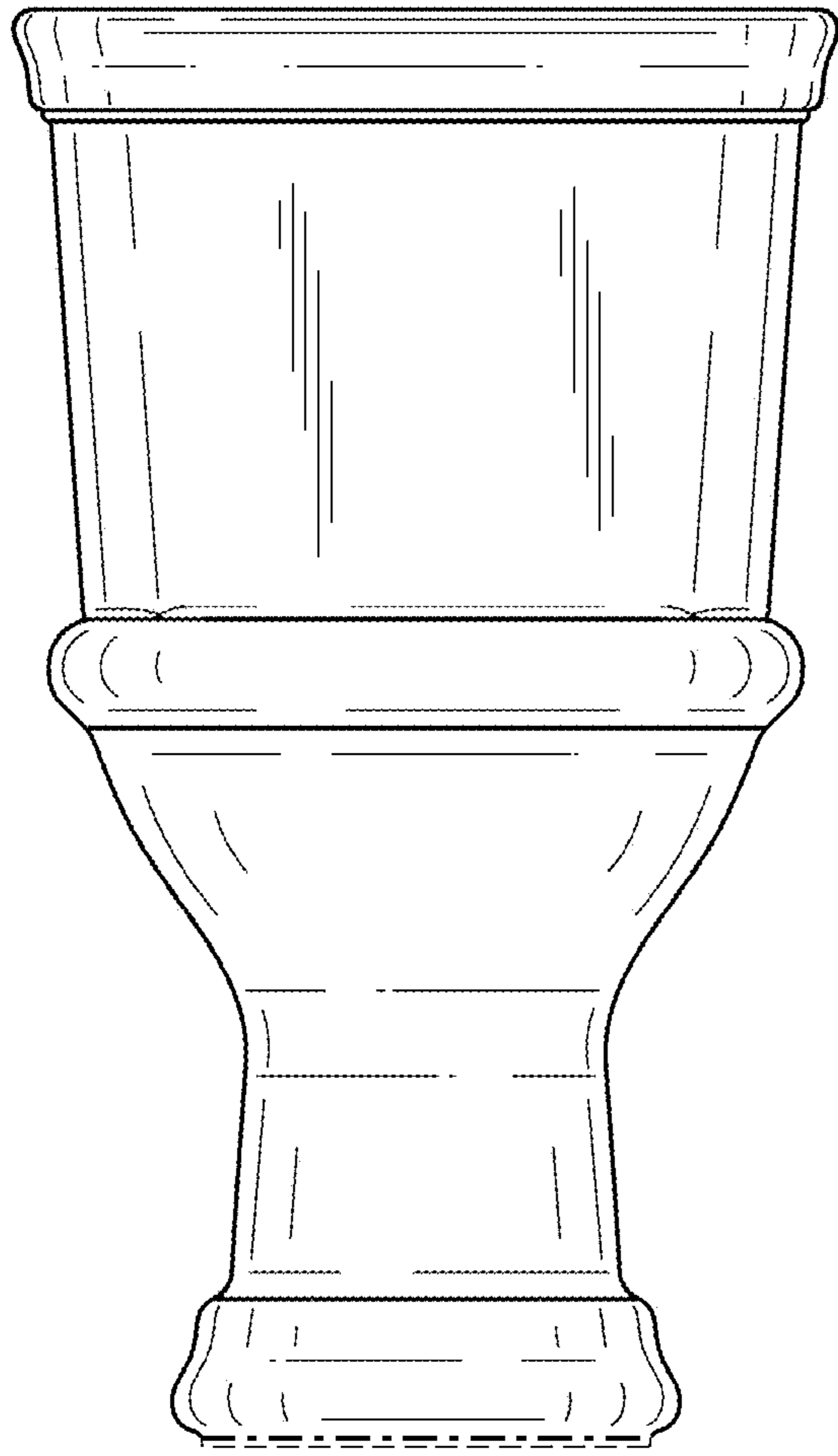


FIG. 4

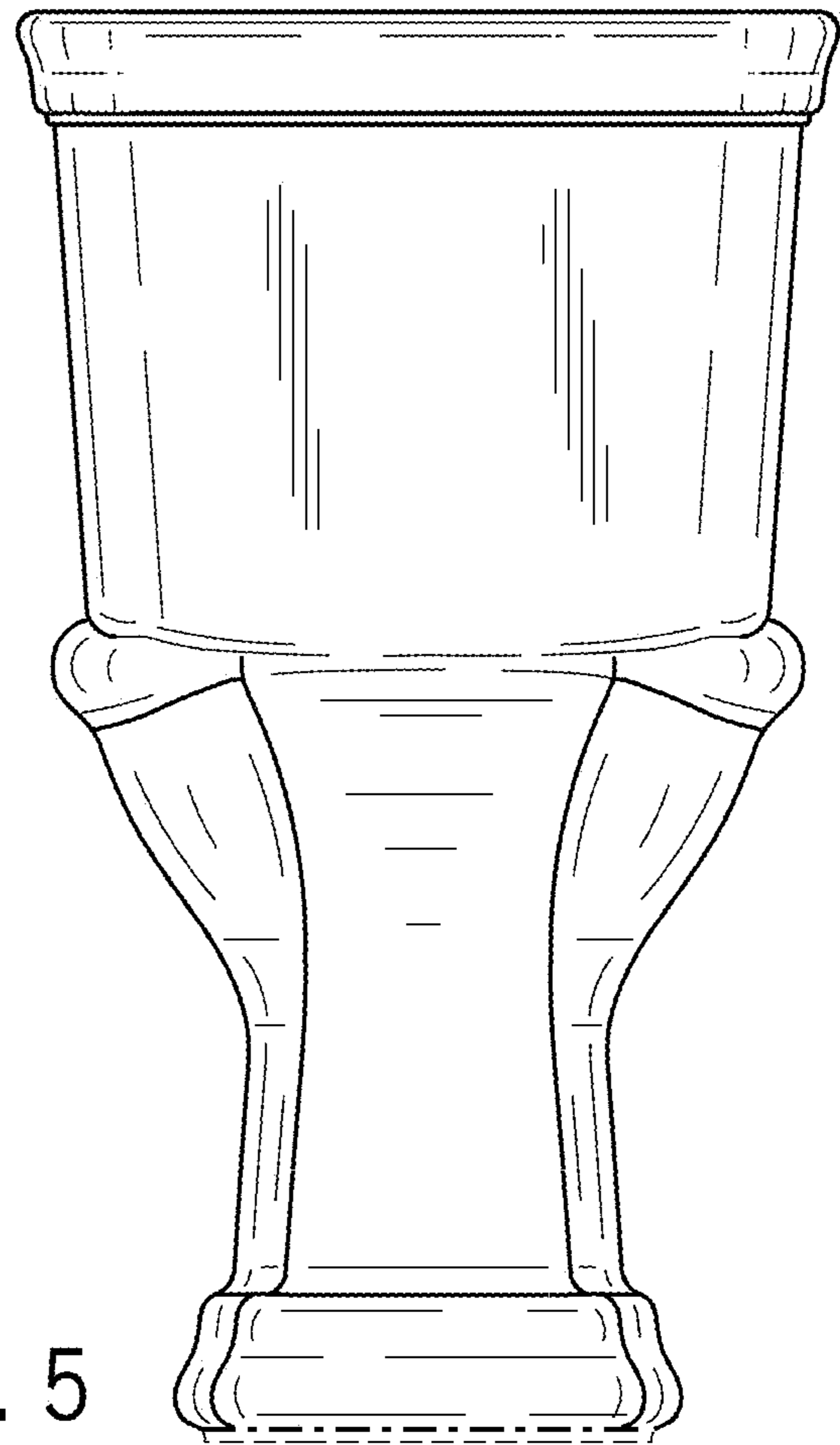


FIG. 5

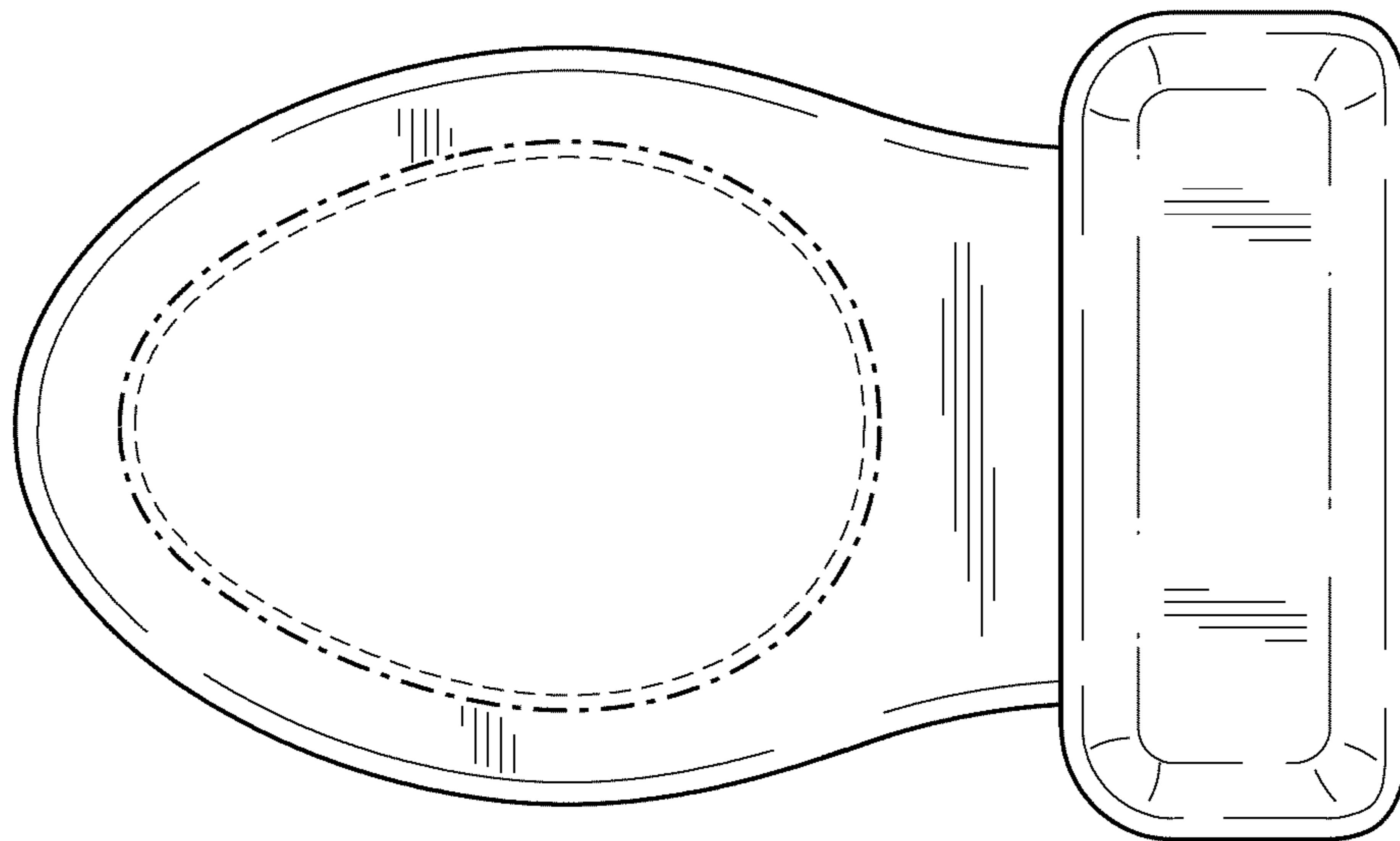


FIG. 6

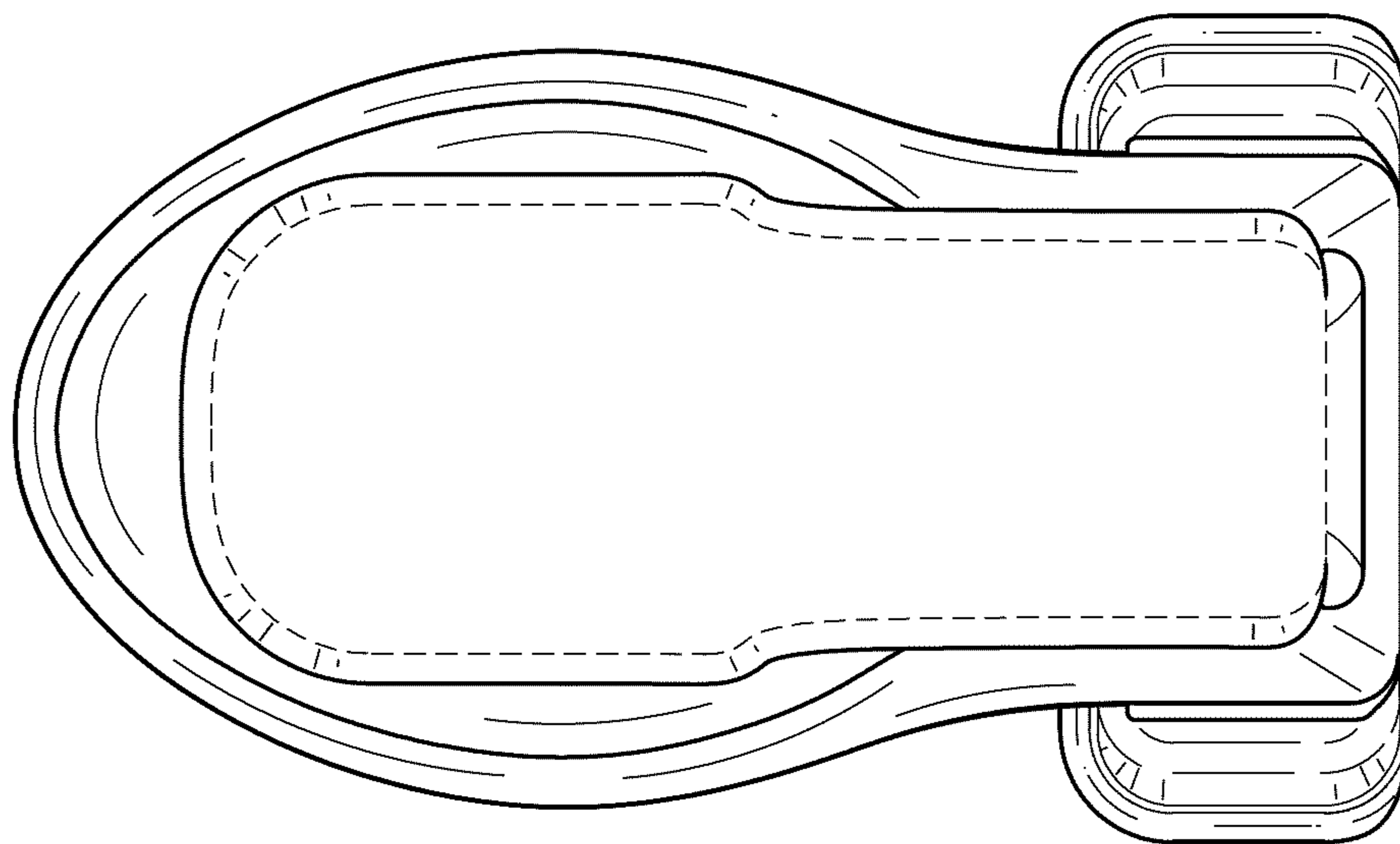


FIG. 7