



US00D912785S

(12) **United States Design Patent**
Davis

(10) **Patent No.:** **US D912,785 S**
(45) **Date of Patent:** **** Mar. 9, 2021**

- (54) **SINK WORK STATION**
- (71) Applicant: **MORGAN TAP AND BASIN LLC**,
Shawnee, KS (US)
- (72) Inventor: **Nathan K. Davis**, Olathe, KS (US)
- (73) Assignee: **Morgan Tap and Basin LLC**,
Overland Park, KS (US)
- (**) Term: **15 Years**
- (21) Appl. No.: **29/724,441**
- (22) Filed: **Feb. 14, 2020**

D700,300 S 2/2014 Rachiele
 D700,301 S * 2/2014 Rachiele D23/284
 D702,334 S 4/2014 Rachiele
 2015/0067963 A1 3/2015 O'Brien et al.

* cited by examiner

Primary Examiner — Robert A Delehanty
 (74) *Attorney, Agent, or Firm* — Law Office of Mark
 Brown, LLC; Christopher M. DeBacker

(57) **CLAIM**

The ornamental design for a sink work station, as shown and described.

DESCRIPTION

FIG. 1 is a three-dimensional isometric view of a preferred embodiment of the present invention;
 FIG. 2 is a top plan view thereof;
 FIG. 3 is a right side elevational view thereof, the left side being a mirror image thereof;
 FIG. 4 is a front elevational view thereof, the rear being a mirror image thereof;
 FIG. 5 is a bottom plan view thereof;
 FIG. 6 is a three-dimensional isometric view of an alternative embodiment of the present invention;
 FIG. 7 is a top plan view thereof;
 FIG. 8 is a right side elevational view thereof, the left side being a mirror image thereof;
 FIG. 9 is a front elevational view thereof, the rear being a mirror image thereof; and,
 FIG. 10 is a bottom plan view thereof.

Related U.S. Application Data

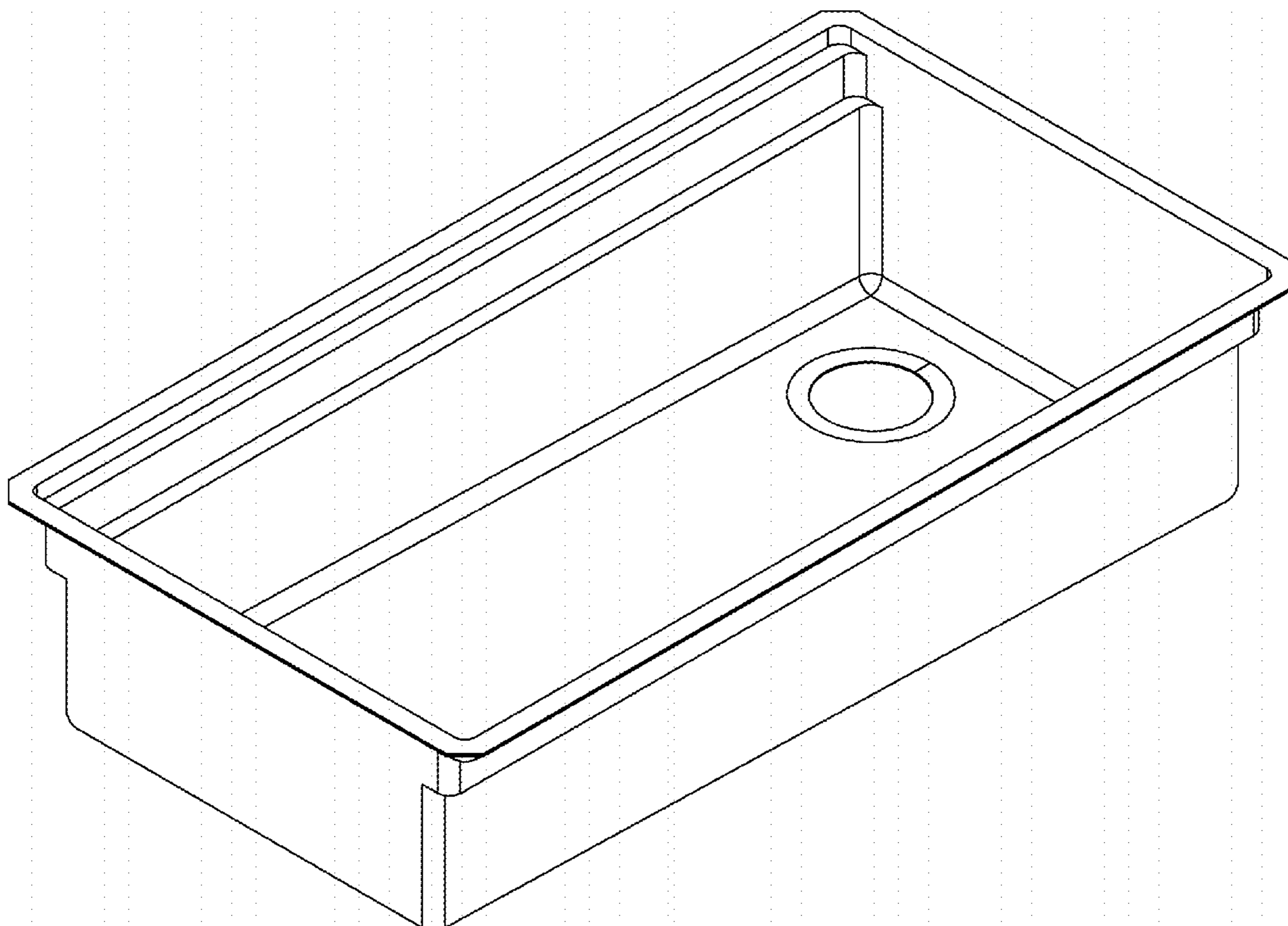
- (63) Continuation-in-part of application No. 16/791,274,
filed on Feb. 14, 2020.
- (51) **LOC (13) Cl.** **23-02**
- (52) **U.S. Cl.**
USPC **D23/284**
- (58) **Field of Classification Search**
USPC D23/284, 286, 293.1, 308
CPC A47B 77/06
See application file for complete search history.

References Cited

U.S. PATENT DOCUMENTS

- D587,351 S * 2/2009 Eilmus D23/286
- D588,246 S * 3/2009 Eilmus D23/293.1

1 Claim, 10 Drawing Sheets



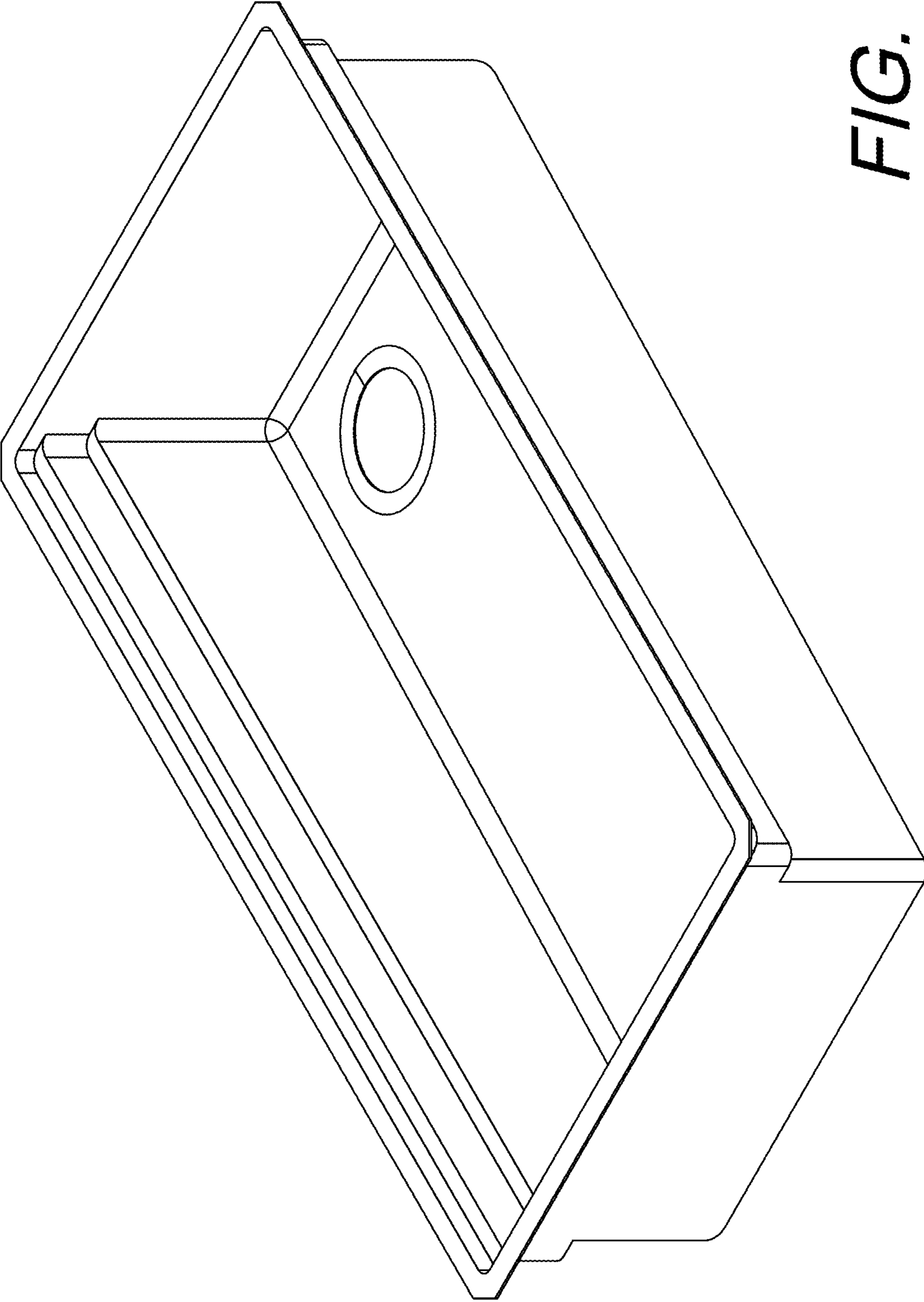


FIG. 1

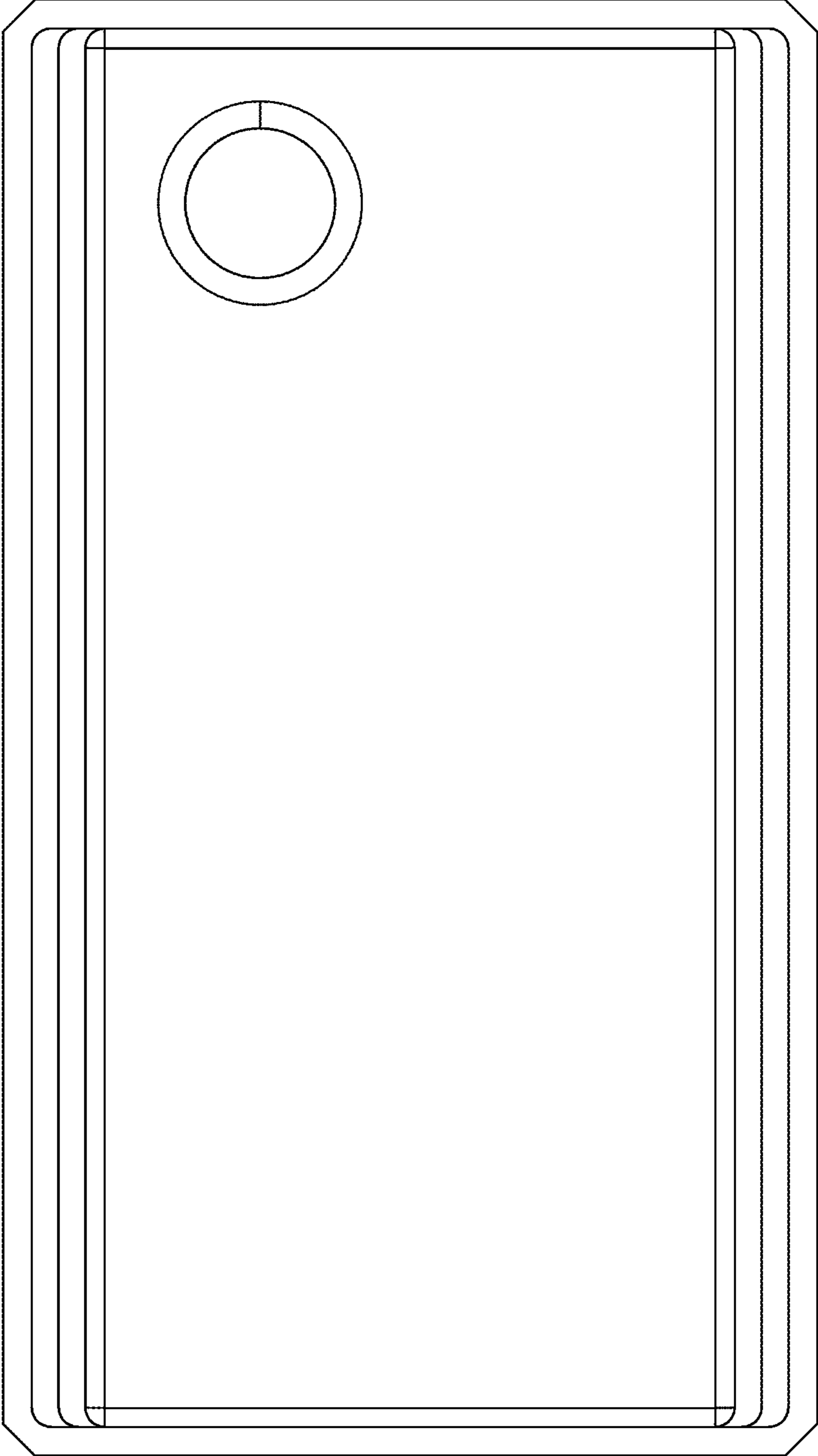


FIG. 2

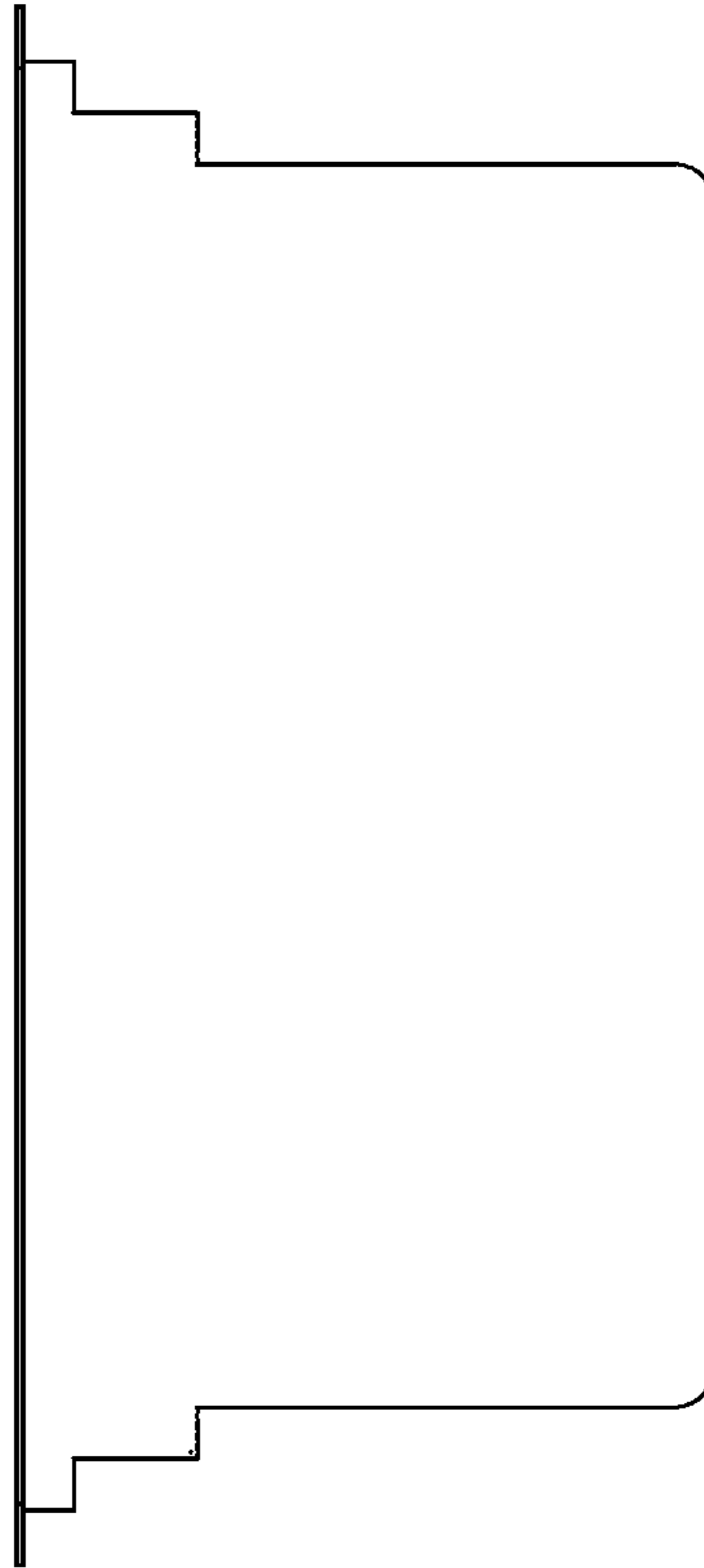


FIG. 3

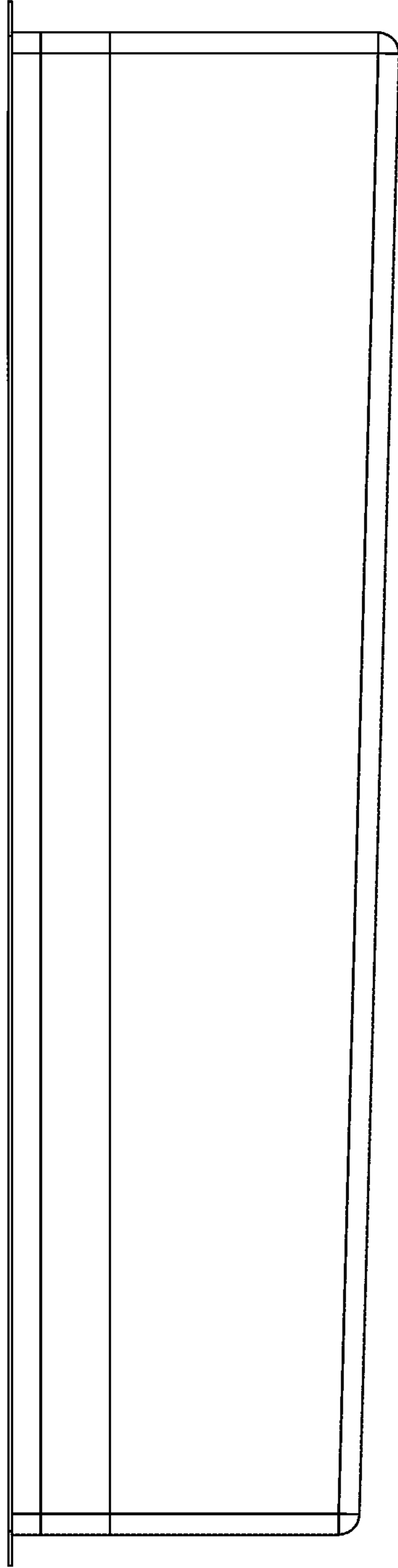


FIG. 4

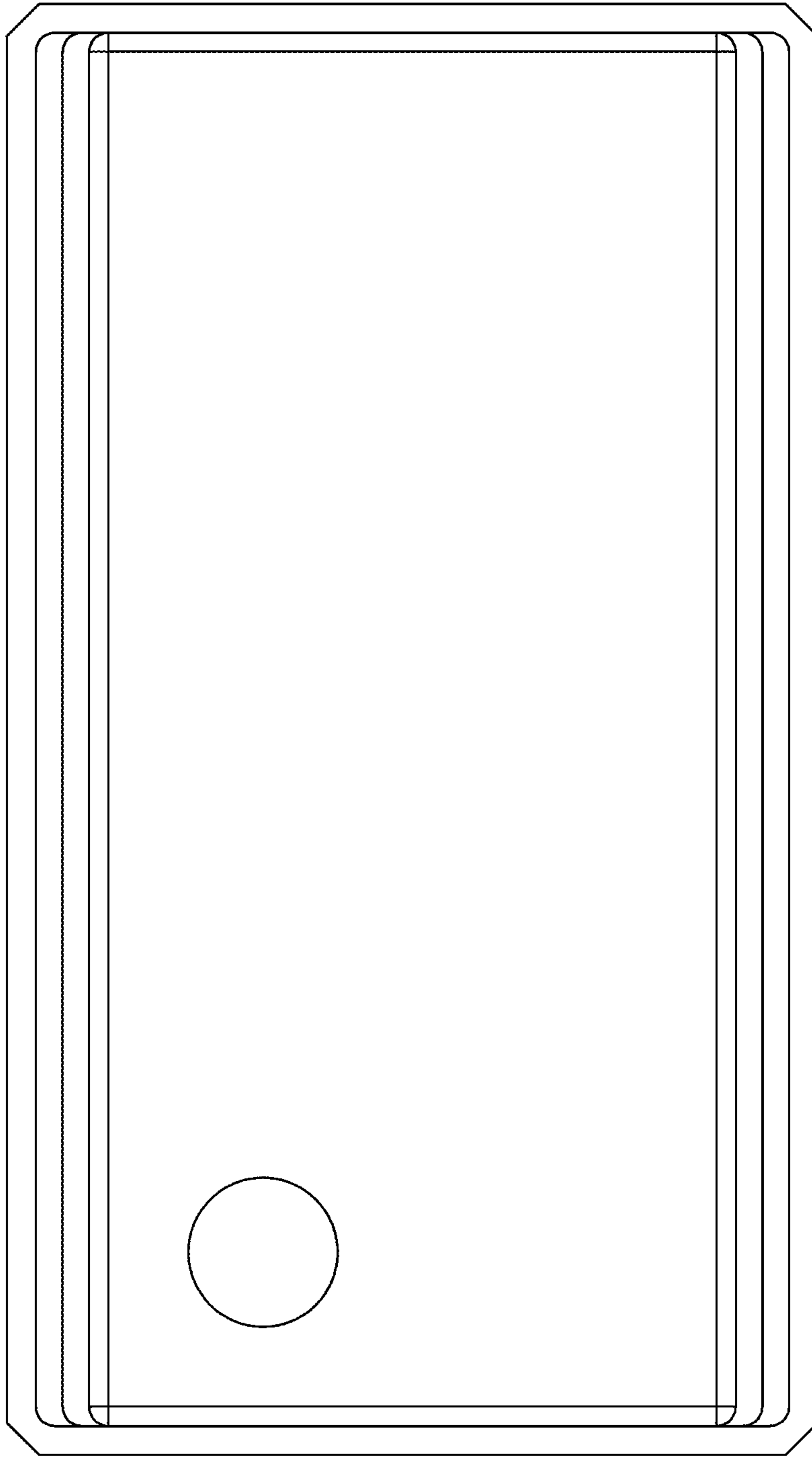


FIG. 5

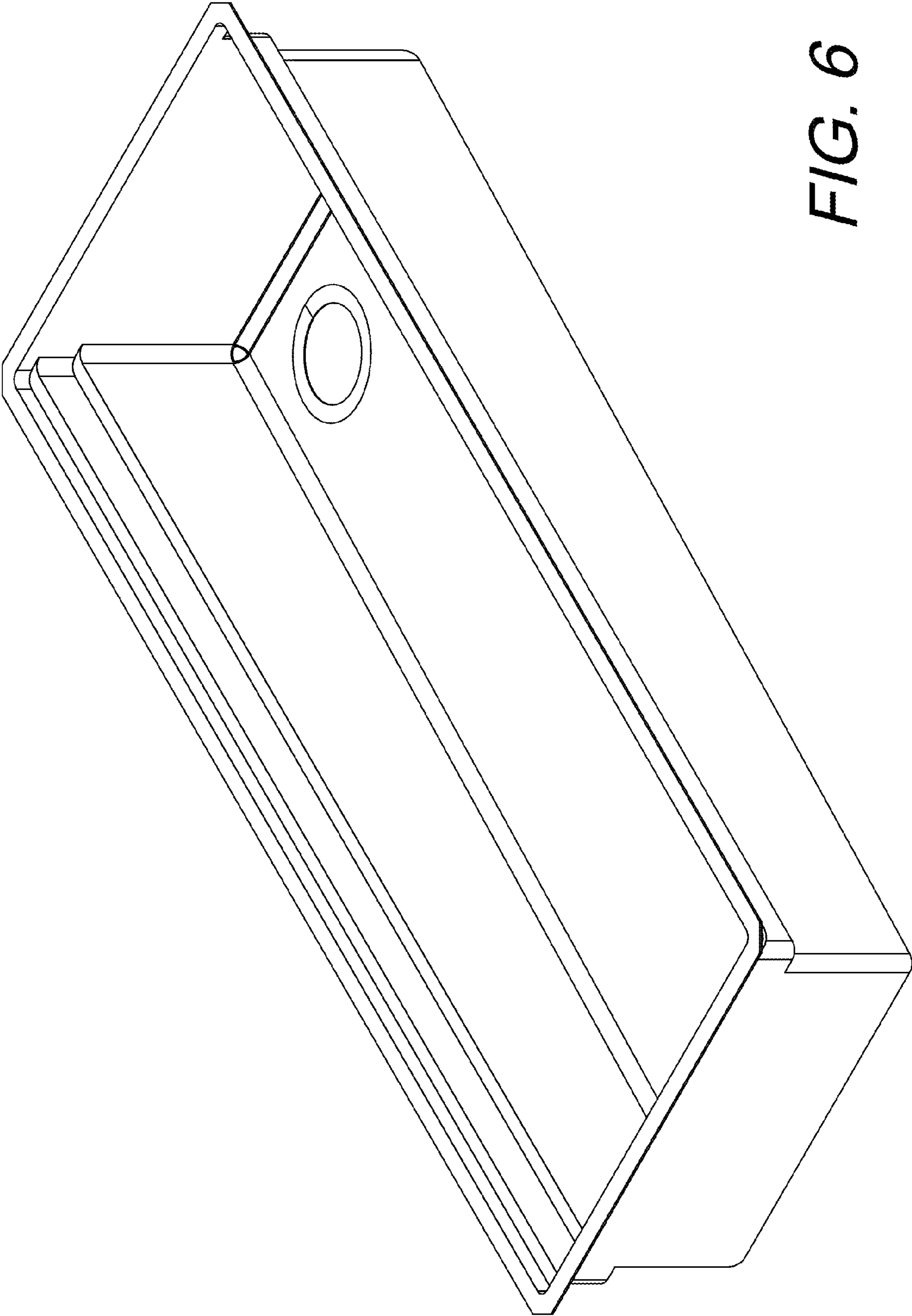


FIG. 6

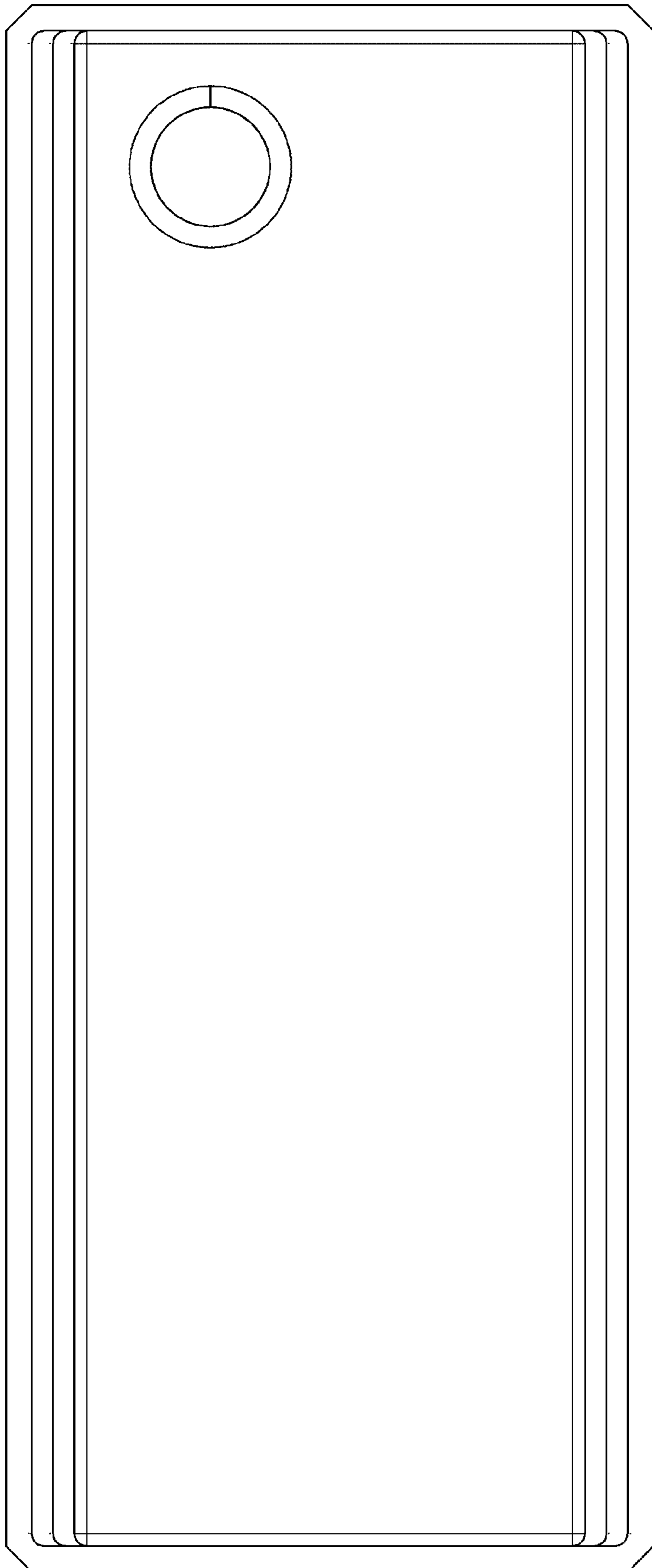


FIG. 7

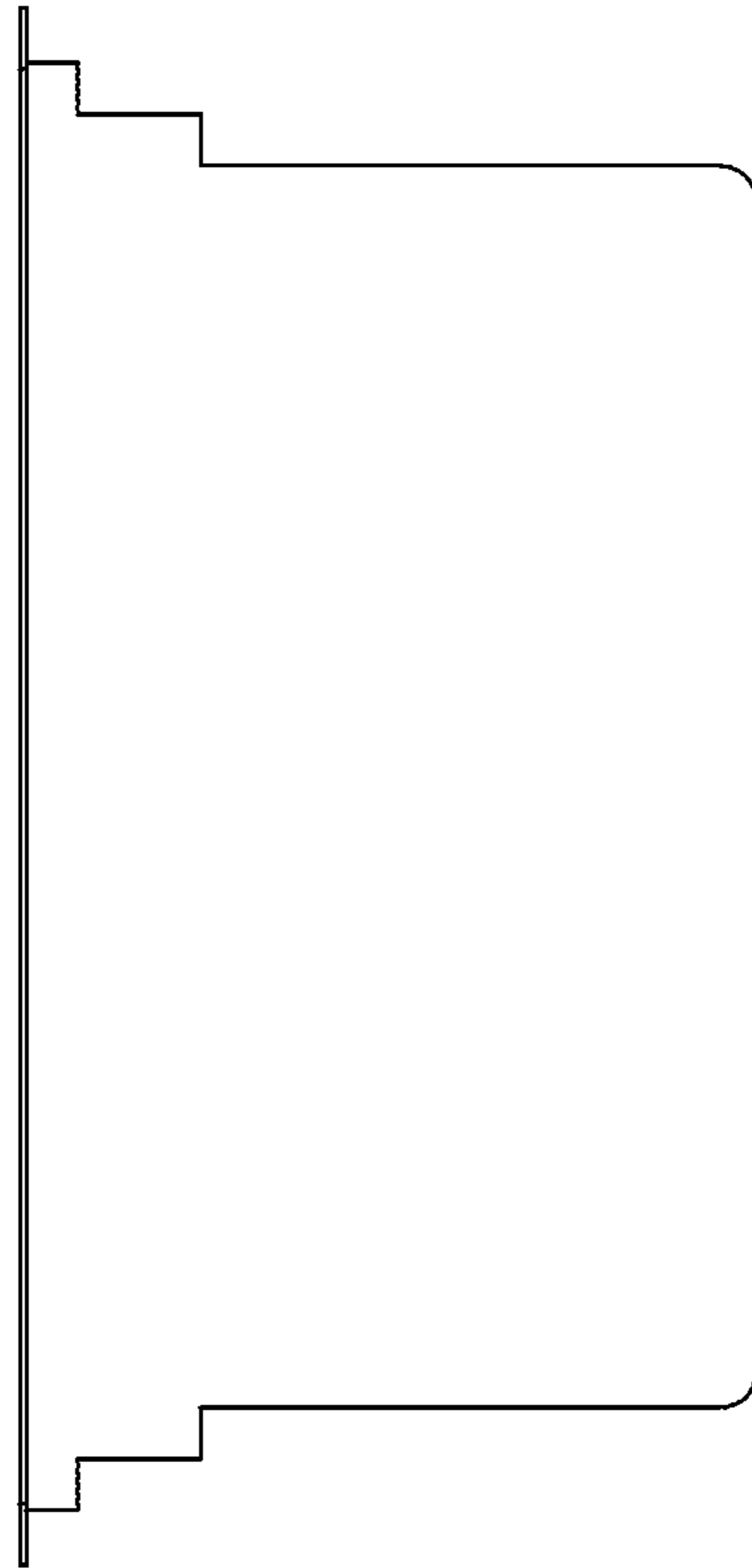


FIG. 8

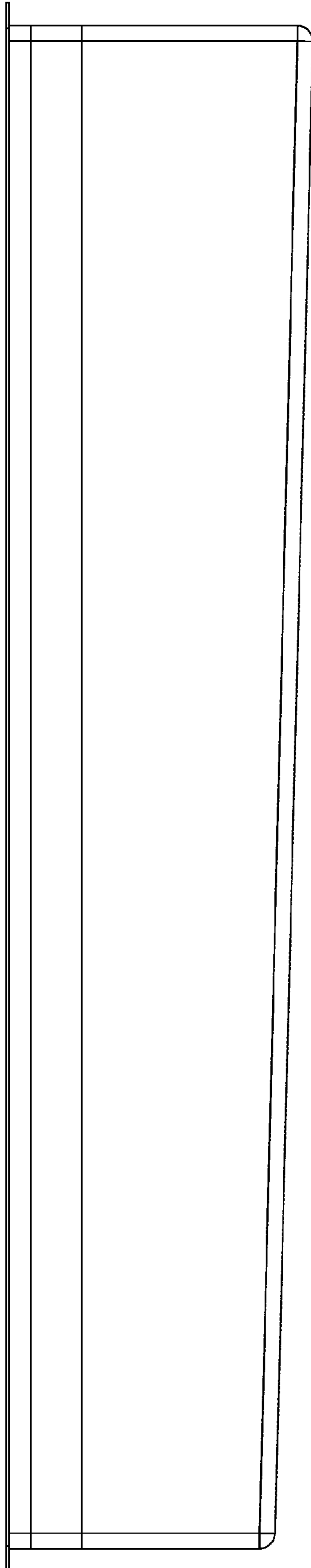


FIG. 9

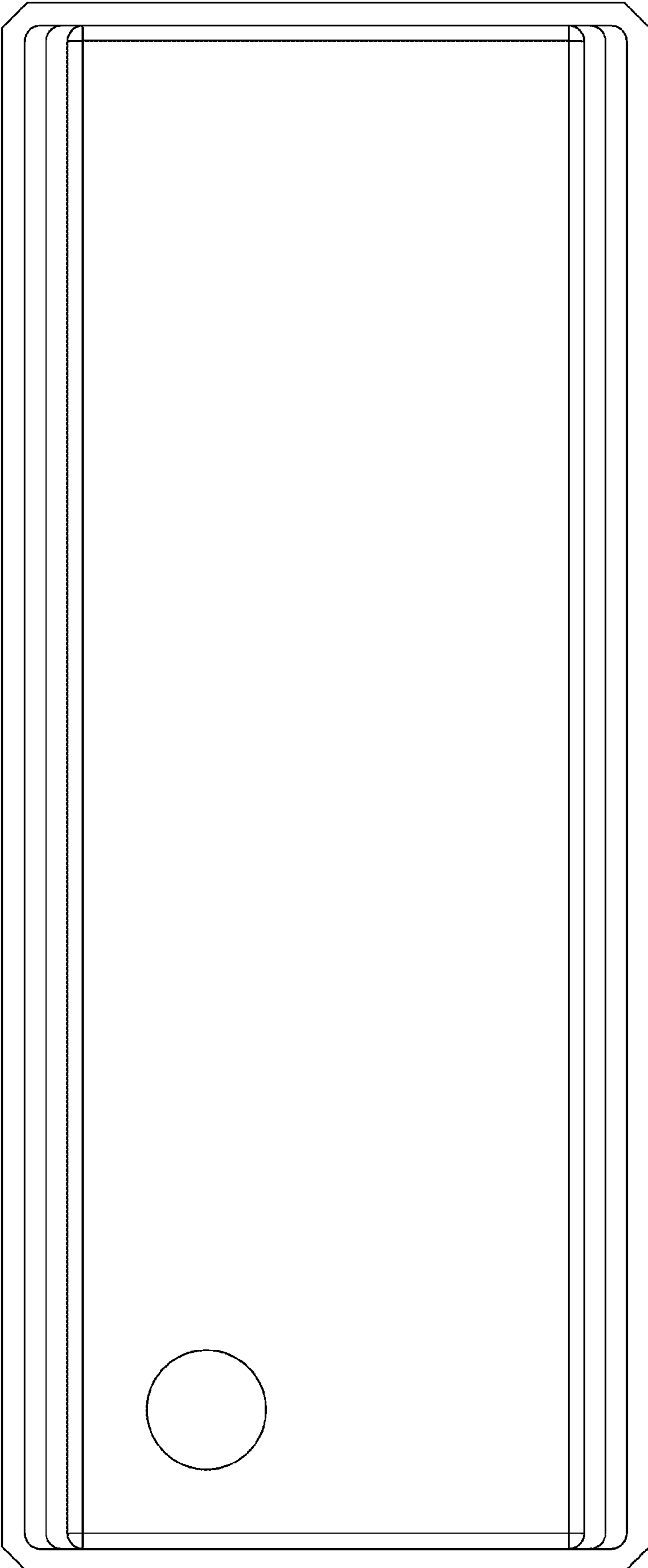


FIG. 10