



US00D912783S

(12) **United States Design Patent**
McCauley

(10) **Patent No.: US D912,783 S**

(45) **Date of Patent: ** Mar. 9, 2021**

(54) **SELF-SEALING DRAIN VENT COVER**

(71) Applicant: **John McCauley**, Philadelphia, PA (US)

(72) Inventor: **John McCauley**, Philadelphia, PA (US)

(**) Term: **15 Years**

(21) Appl. No.: **29/658,777**

(22) Filed: **Aug. 2, 2018**

(51) **LOC (13) Cl. 23-01**

(52) **U.S. Cl.**
USPC **D23/260**

(58) **Field of Classification Search**
USPC D23/260–261; D19/95, 99; D9/453
CPC E03C 1/23; F16B 7/18
See application file for complete search history.

(56) **References Cited**

U.S. PATENT DOCUMENTS

- 1,574,288 A * 2/1926 Hohmeister E03D 13/00
4/306
- 3,245,428 A * 4/1966 Klimak B60T 17/043
137/493
- D210,826 S * 4/1968 Kaiser et al. D23/260
- D224,668 S * 8/1972 Burger D12/317
- 4,412,361 A * 11/1983 Cuschera A47K 1/14
4/286
- D351,013 S * 9/1994 Mathison D23/200
- D351,220 S * 10/1994 Barnes D23/260
- D363,769 S * 10/1995 Phillips D23/261
- 5,832,544 A * 11/1998 Pan A47K 1/14
4/293
- D413,377 S * 8/1999 Pauly D23/261
- 6,490,739 B1 * 12/2002 Lee A47K 1/14
4/293
- D517,664 S * 3/2006 Hill D23/261
- D621,915 S * 8/2010 Fima D23/261
- D678,481 S * 3/2013 Branco D23/260
- D711,511 S * 8/2014 Van Der Merwe D23/249
- D724,700 S * 3/2015 Dailey D23/260
- D748,455 S * 2/2016 Symons D8/356

- D749,750 S * 2/2016 Cline D25/113
- D754,304 S * 4/2016 Morris D23/260
- D756,222 S * 5/2016 Lopez D23/260
- D758,554 S * 6/2016 Lohmann D23/261
- D778,712 S * 2/2017 Kennedy D8/358
- D806,834 S * 1/2018 Schweitzer D23/260
- D808,503 S * 1/2018 McAlpine D23/260
- D812,716 S * 3/2018 Ebertowski D23/225
- D834,685 S * 11/2018 Gerger D23/261
- D836,440 S * 12/2018 Girins D9/453
- D836,756 S * 12/2018 Myers, II E03C 1/26
D23/261
- D840,000 S * 2/2019 Yoshihara D23/260
- 2014/0178126 A1 * 6/2014 Burns F16B 21/02
403/343
- 2015/0233102 A1 * 8/2015 Lucas E03C 1/2306
4/689

FOREIGN PATENT DOCUMENTS

KR 300965553.0000 * 7/2018

* cited by examiner

Primary Examiner — John R Yeh

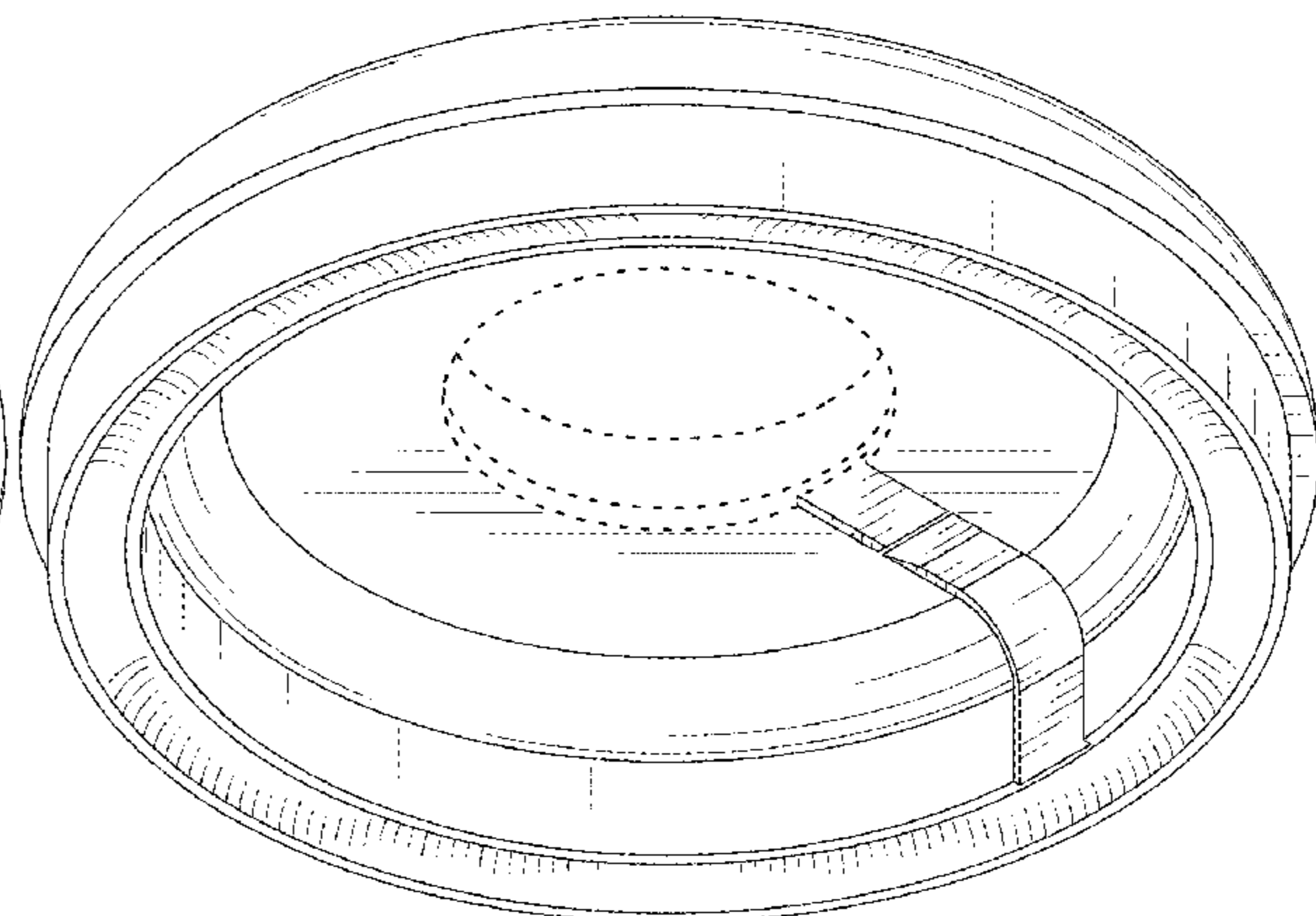
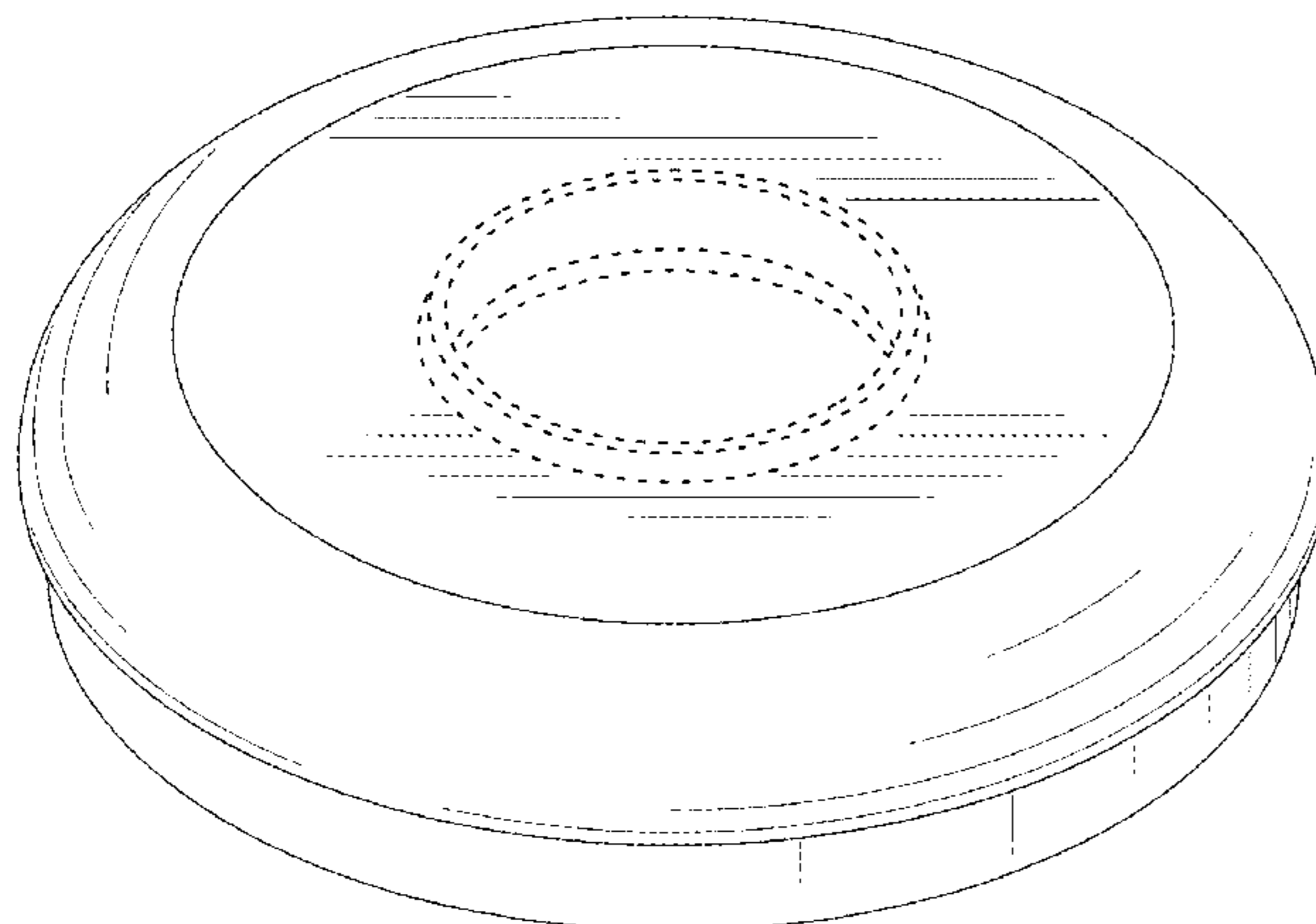
(57) **CLAIM**

The ornamental design for a self-sealing drain vent cover, as shown and described.

DESCRIPTION

FIG. 1 is a perspective view showing my design for a self-sealing drain vent cover;
 FIG. 2 is a bottom perspective view thereof;
 FIG. 3 is a front elevation view thereof;
 FIG. 4 is a top plan view thereof;
 FIG. 5 is a cross-sectional view taken along line 5-5 in FIG. 4; and,
 FIG. 6 is a bottom plan view thereof.
 The broken lines illustrate portions of the self-sealing drain vent cover that form no part of the claimed design.

1 Claim, 6 Drawing Sheets



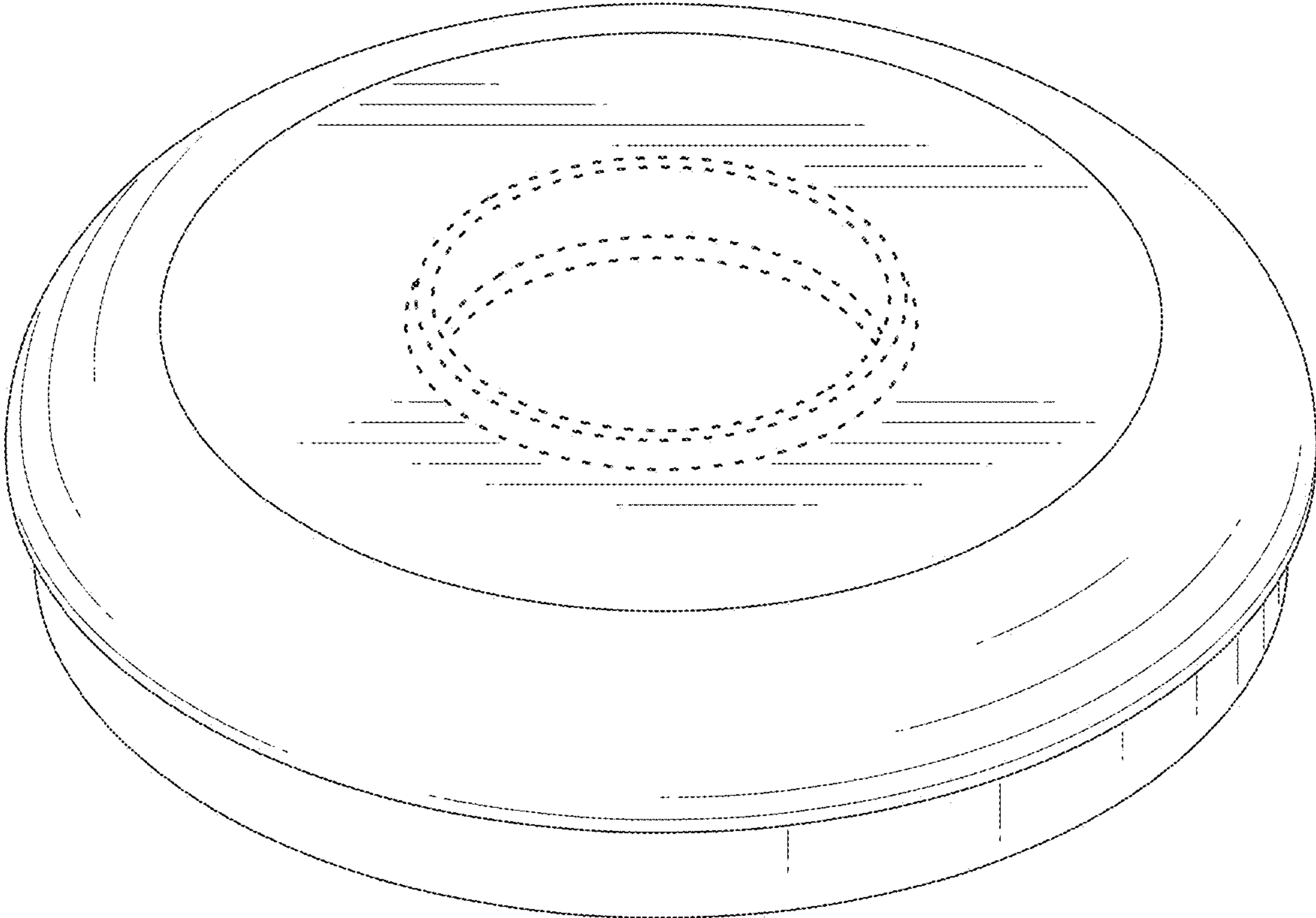


FIG. 1

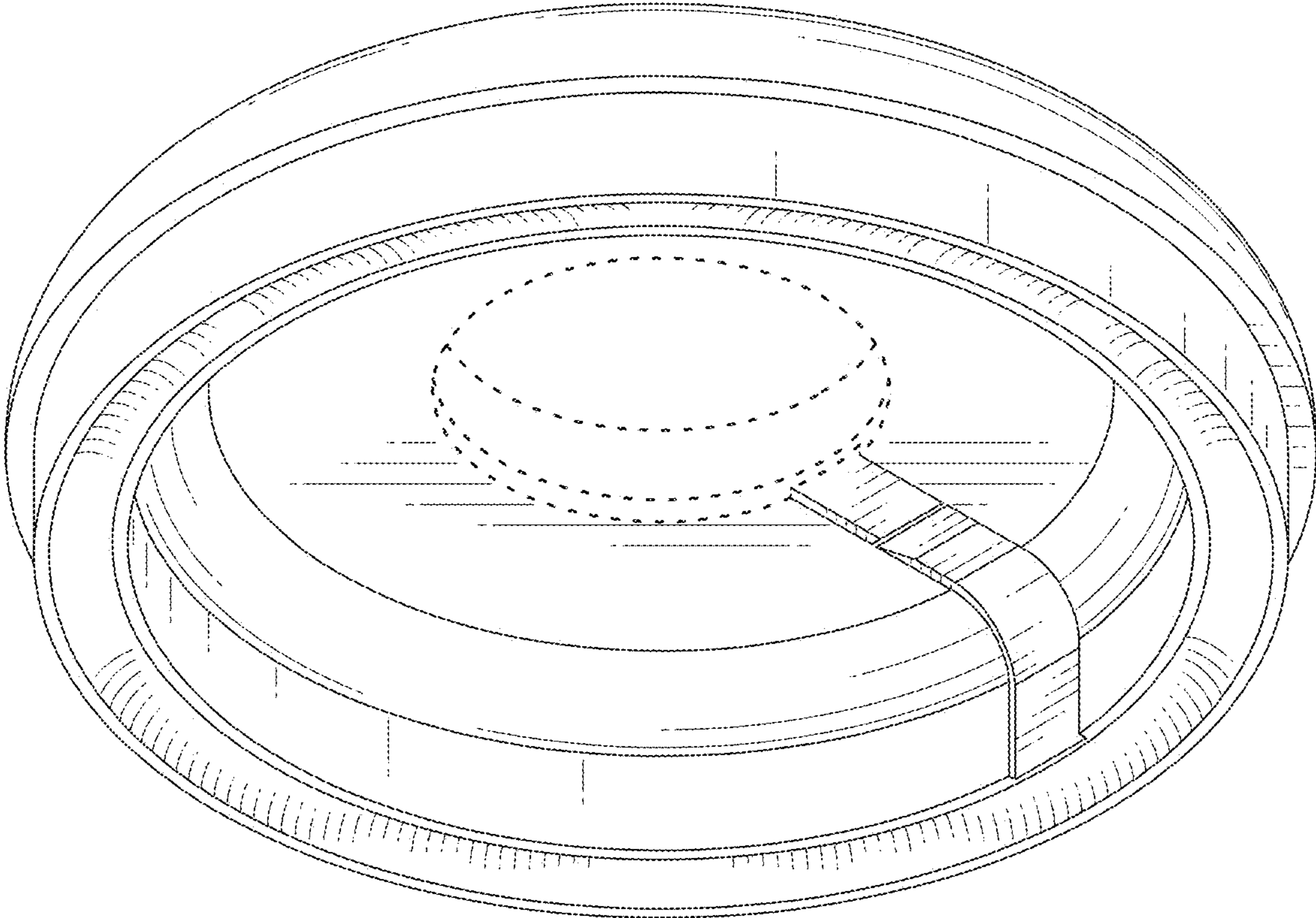


FIG. 2

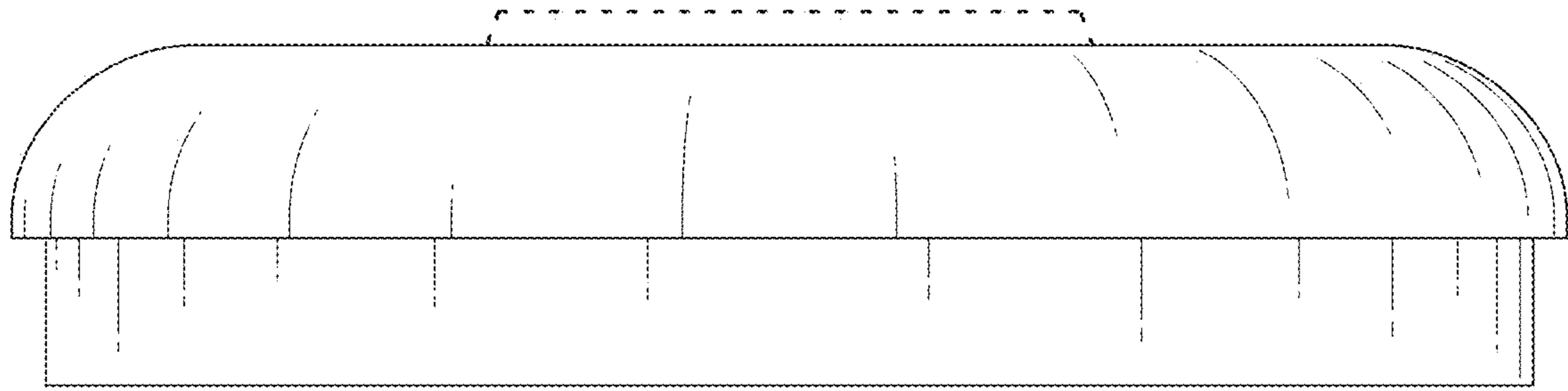


FIG. 3

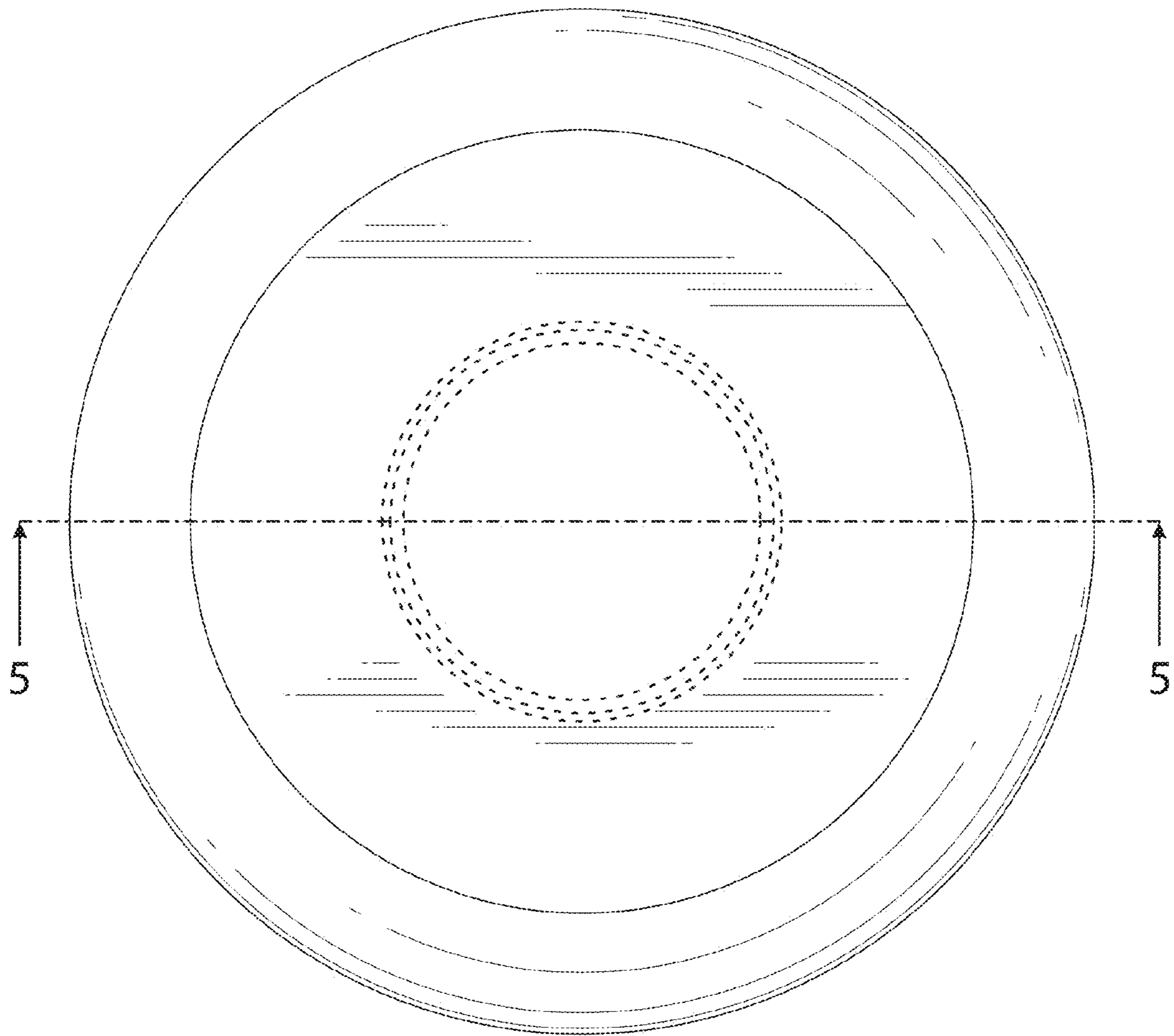


FIG. 4

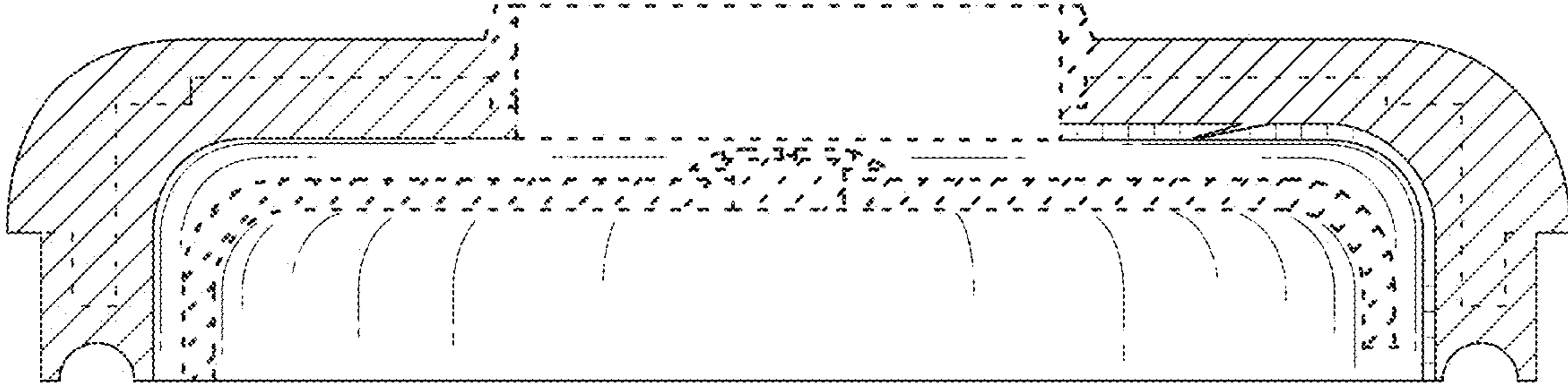


FIG. 5

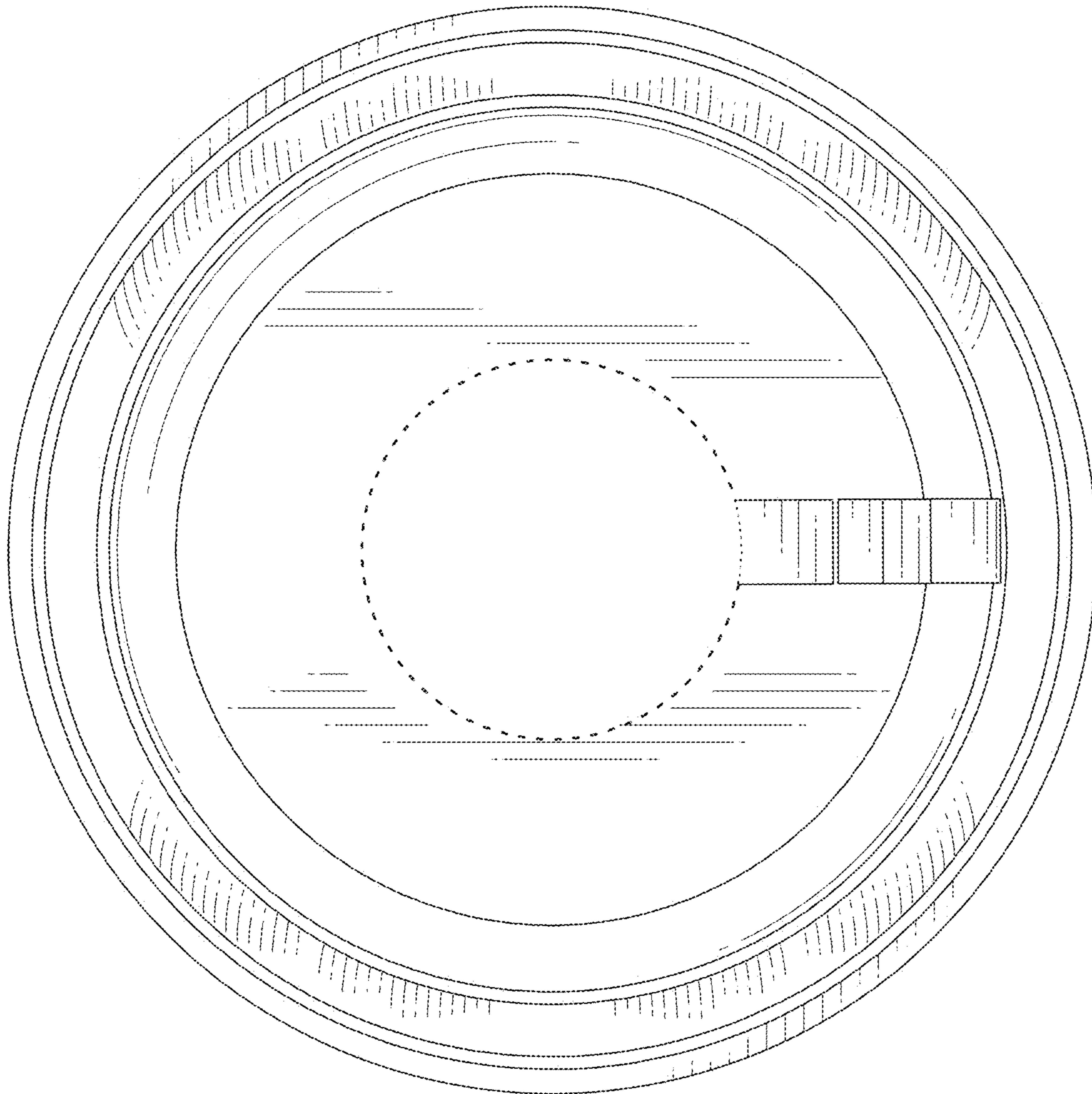


FIG. 6