



US00D912782S

(12) **United States Design Patent** (10) **Patent No.:** **US D912,782 S**  
**Boal** (45) **Date of Patent:** **\*\* Mar. 9, 2021**

(54) **SHOWER CONTROLLER**  
(71) Applicant: **Kohler Mira Limited**, Gloucestershire (GB)  
(72) Inventor: **Roland Boal**, Cheltenham (GB)  
(73) Assignee: **KOHLER MIRA LIMITED**, Cheltenham (GB)  
(\*\*) Term: **15 Years**  
(21) Appl. No.: **29/679,691**  
(22) Filed: **Feb. 8, 2019**

D584,384 S 1/2009 Schonherr  
D597,632 S 8/2009 Obara  
D603,022 S 10/2009 Schonherr  
D622,820 S 8/2010 Bouroullec  
D655,786 S 3/2012 Fukasawa  
D679,781 S \* 4/2013 Flowers ..... D23/254  
D713,236 S 9/2014 Park  
D766,696 S 9/2016 Kemker  
D774,169 S 12/2016 Kington  
9,552,706 B2 1/2017 Schneider, II  
D786,406 S \* 5/2017 Schoenherr ..... D23/250  
D795,395 S 8/2017 Kington  
9,758,953 B2 9/2017 Bayley

(Continued)

*Primary Examiner* — Robert A Delehanty  
(74) *Attorney, Agent, or Firm* — Foley & Lardner LLP

**Related U.S. Application Data**

(62) Division of application No. 29/660,872, filed on Aug. 23, 2018, now Pat. No. Des. 844,755, which is a division of application No. 29/585,453, filed on Nov. 23, 2016, now Pat. No. Des. 828,518.

**Foreign Application Priority Data**

(30) May 26, 2016 (EM) ..... 003154939  
(51) **LOC (13) Cl.** ..... **23-01**  
(52) **U.S. Cl.**  
USPC ..... **D23/250**  
(58) **Field of Classification Search**  
USPC ..... D23/238–243, 249–254  
CPC ..... Y10T 137/9464  
See application file for complete search history.

**References Cited**

**U.S. PATENT DOCUMENTS**

D298,731 S 11/1988 Cook  
6,125,482 A 10/2000 Foster  
7,222,979 B1 \* 5/2007 Popowich ..... H01H 19/025  
200/316  
7,406,722 B2 8/2008 Fukuizumi

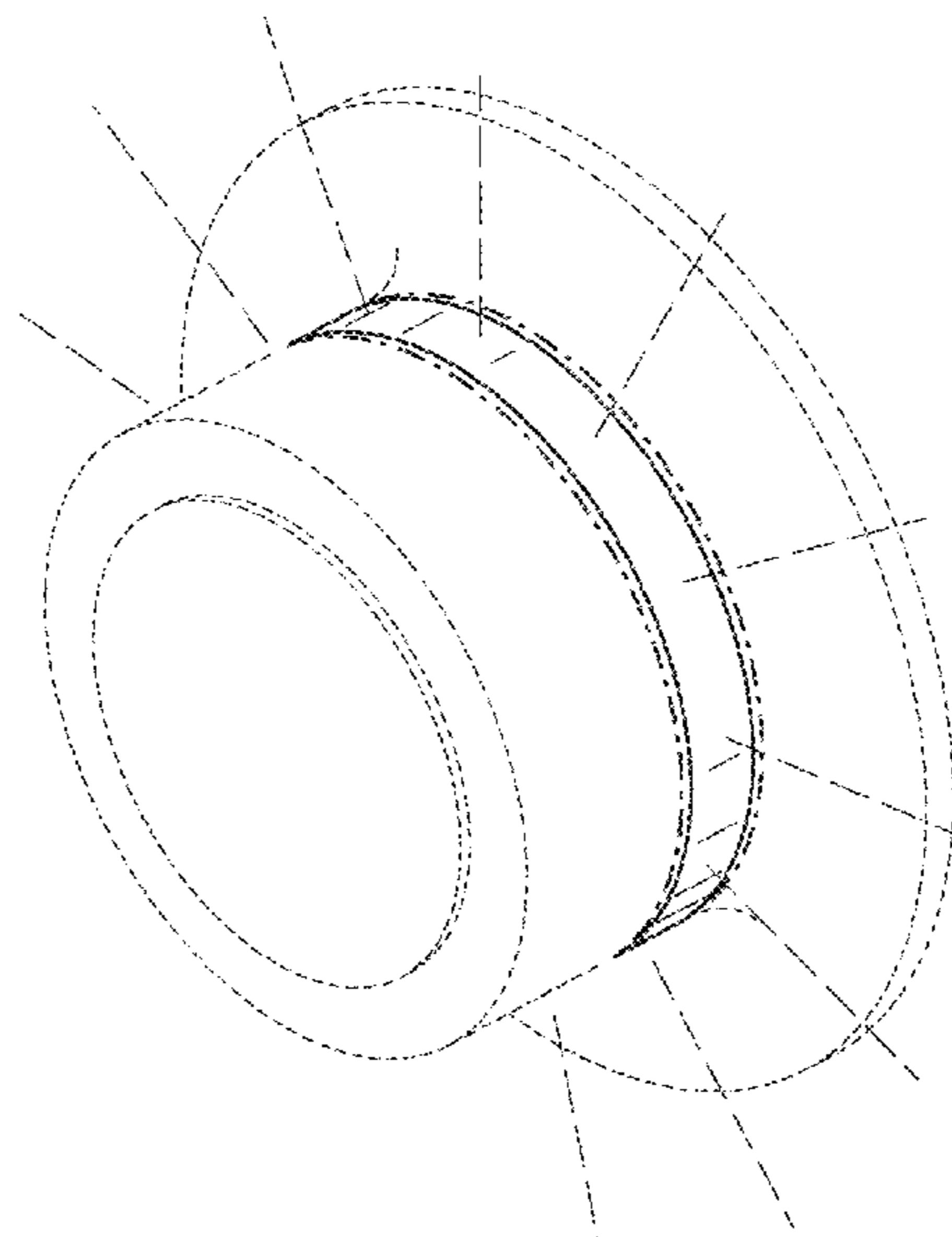
(57) **CLAIM**

I claim the ornamental design for a shower controller, as shown and described.

**DESCRIPTION**

FIG. 1 is a perspective view of another embodiment of the claimed design;  
FIG. 2 is another perspective view of the design shown in FIG. 1;  
FIG. 3 is a front view of the design shown in FIG. 1;  
FIG. 4 is a side view of the design shown in FIG. 1; and,  
FIG. 5 is another perspective view of the design shown in FIG. 1 in an illuminated state.  
The ornamental design which is claimed is shown in solid lines in the drawings. The broken lines formed by shorter length dash-dash lines illustrate unclaimed portions of the design. The broken lines formed by longer length dash-dash lines illustrate illumination and/or lighting only and form no part of the claimed design. Broken lines formed by dash-dot lines show boundaries between claimed and unclaimed portions of the design. The oblique line shading illustrates transparency or translucency.

**1 Claim, 3 Drawing Sheets**



(56)

**References Cited**

U.S. PATENT DOCUMENTS

D828,518 S \* 9/2018 Boal ..... D23/254  
D844,755 S \* 4/2019 Boal ..... D23/254  
D863,237 S \* 10/2019 Ayers ..... D23/250  
2018/0259188 A1\* 9/2018 Bach ..... F21V 5/04

\* cited by examiner

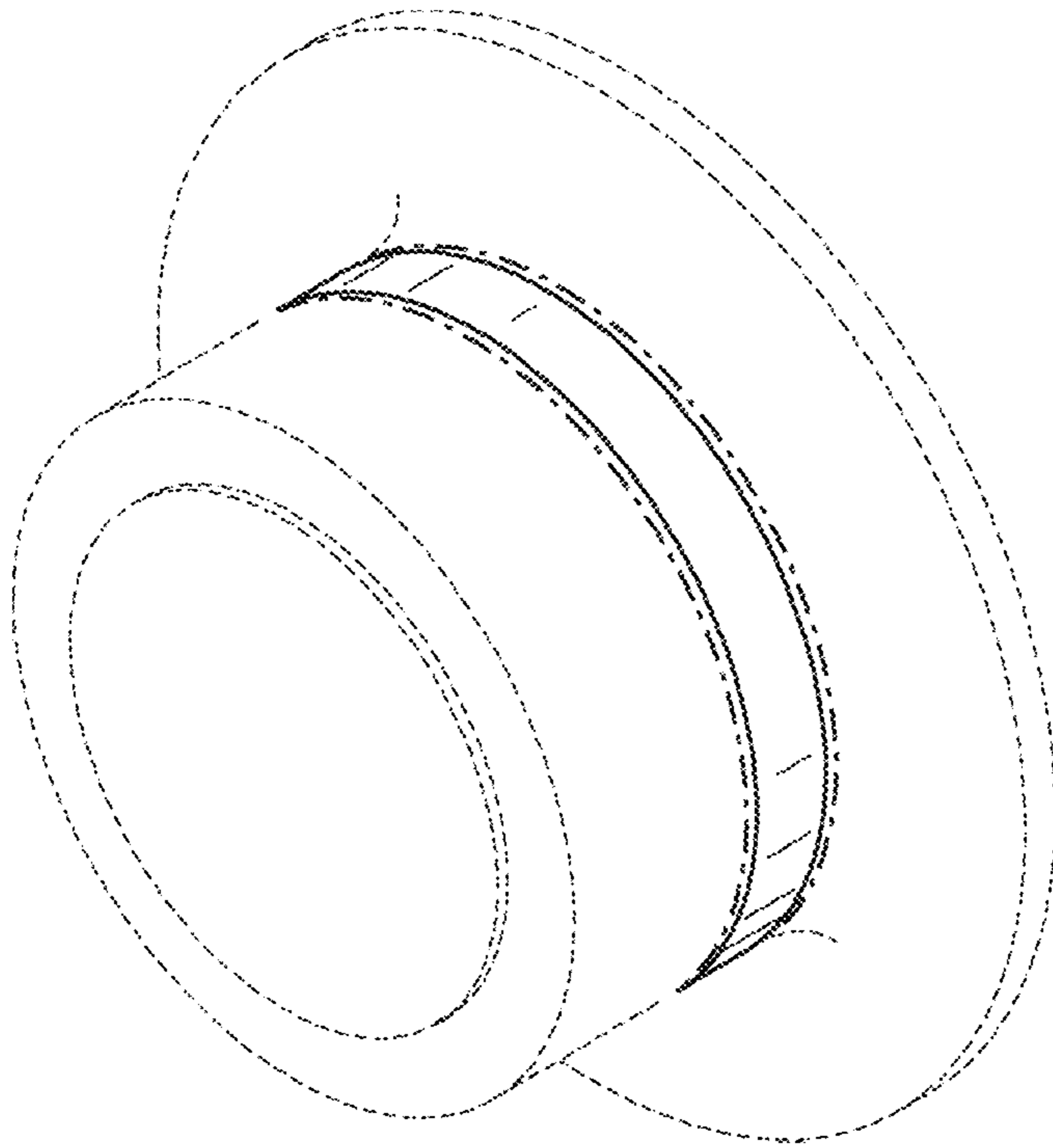


FIG. 1

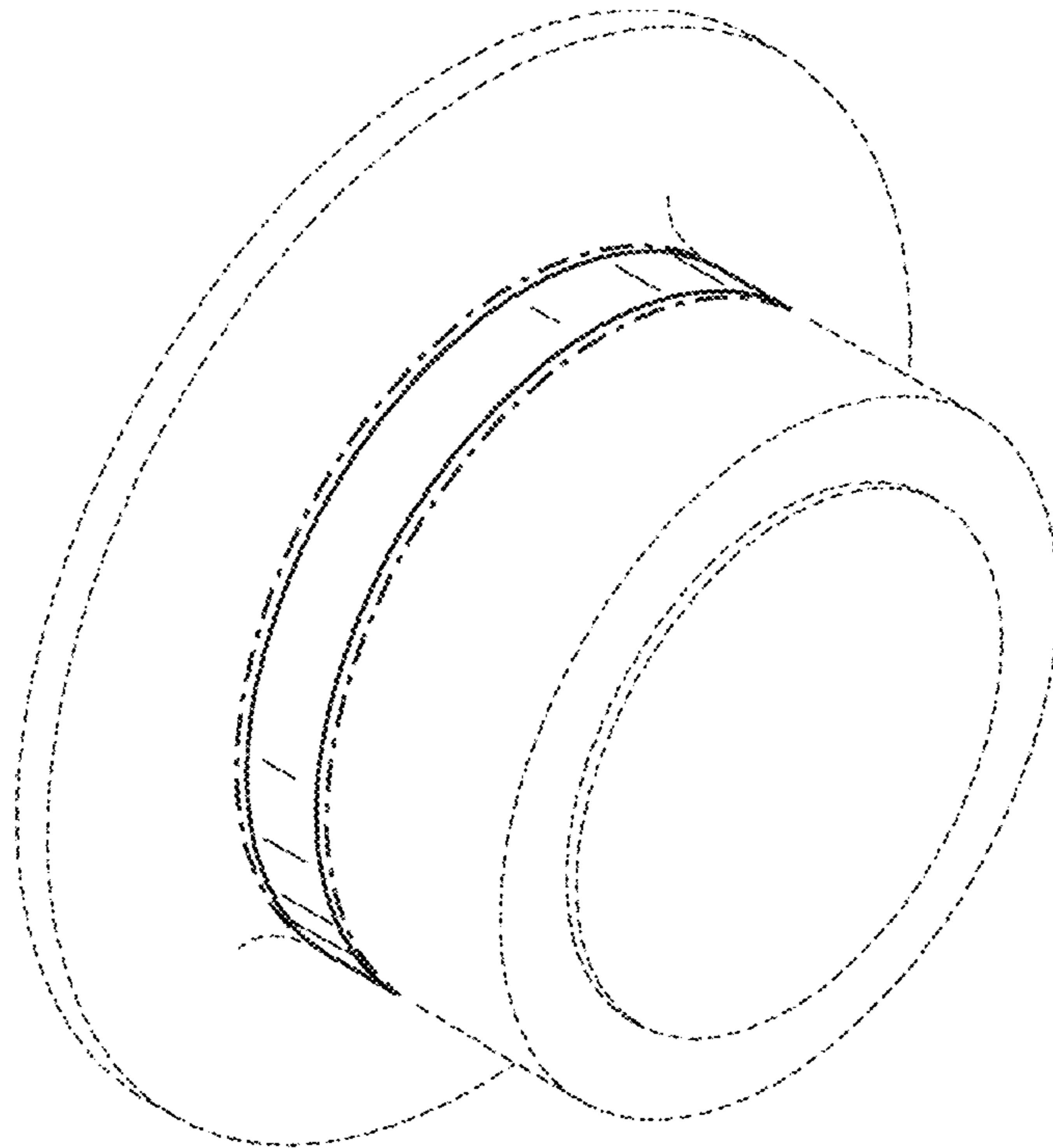


FIG. 2

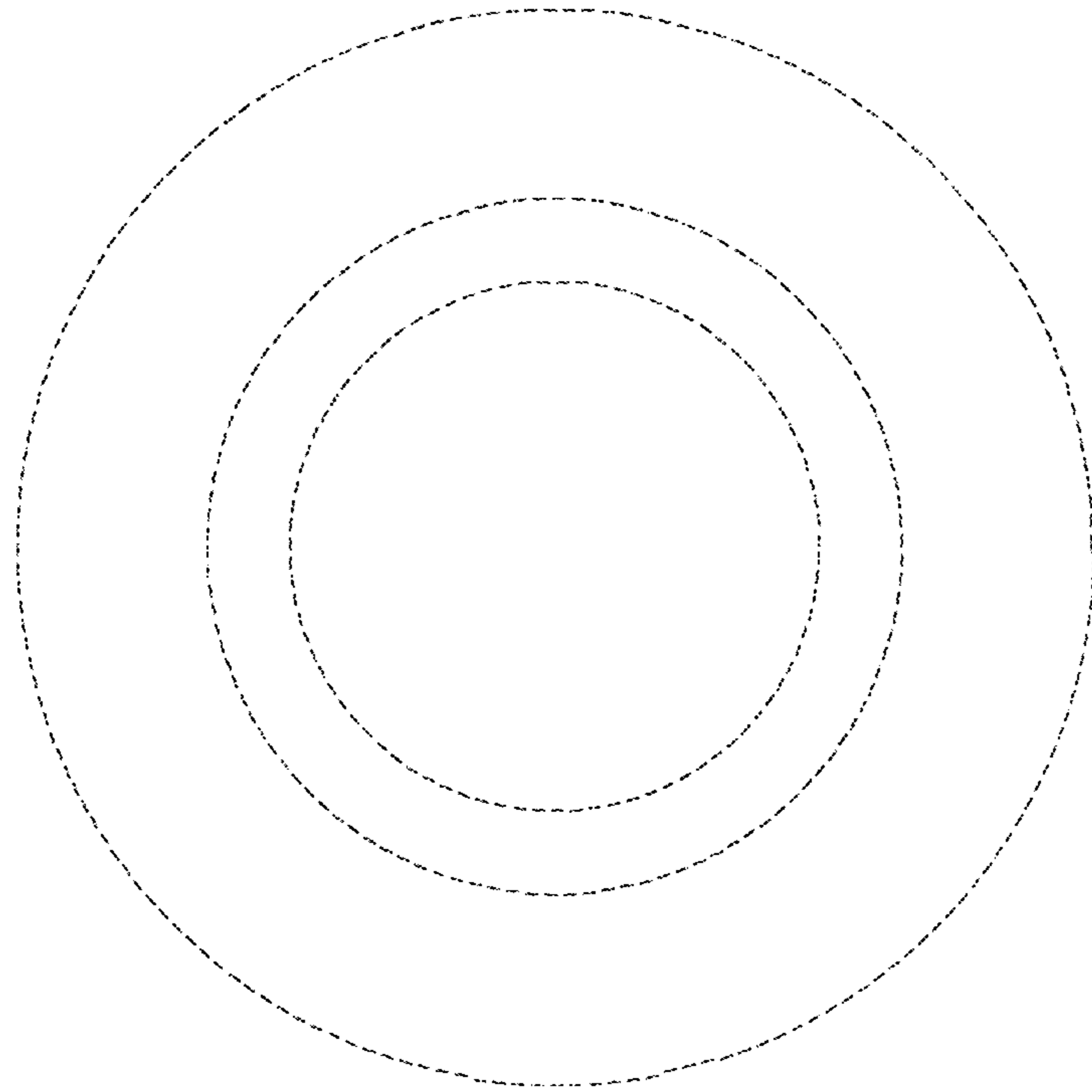


FIG. 3

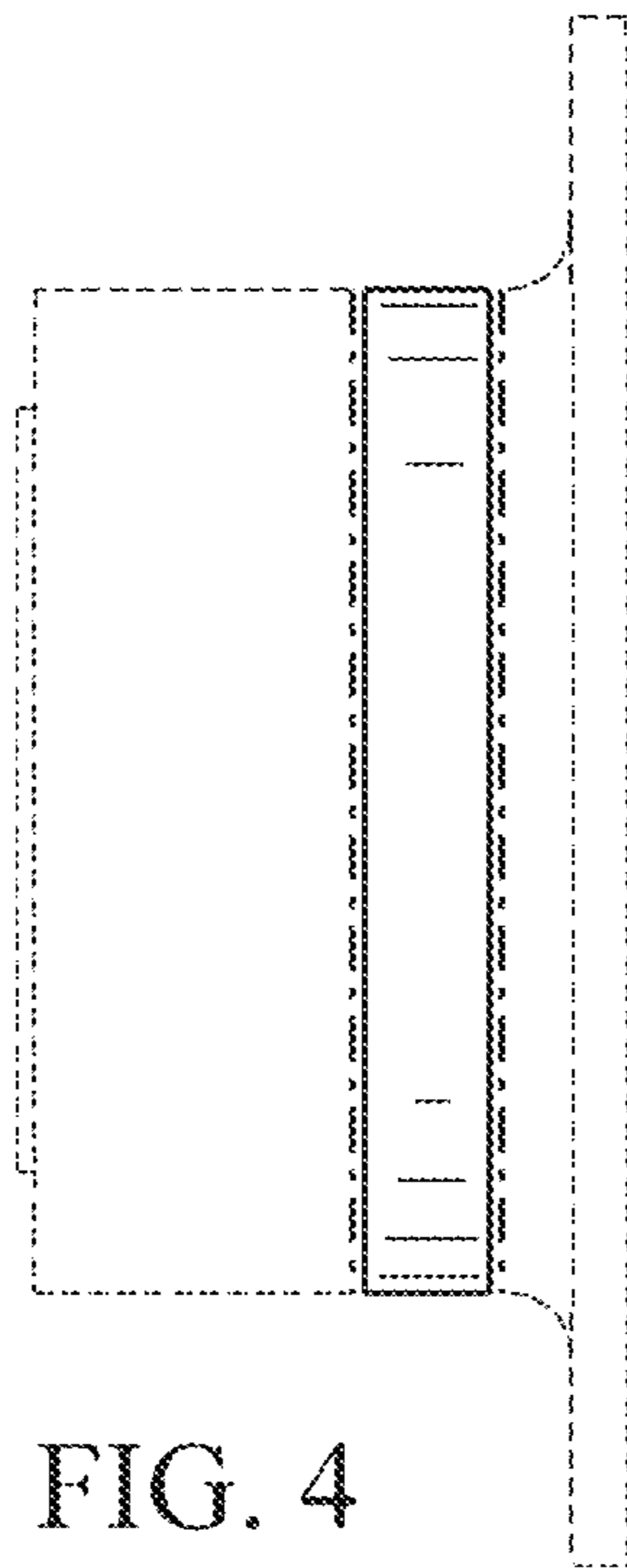


FIG. 4

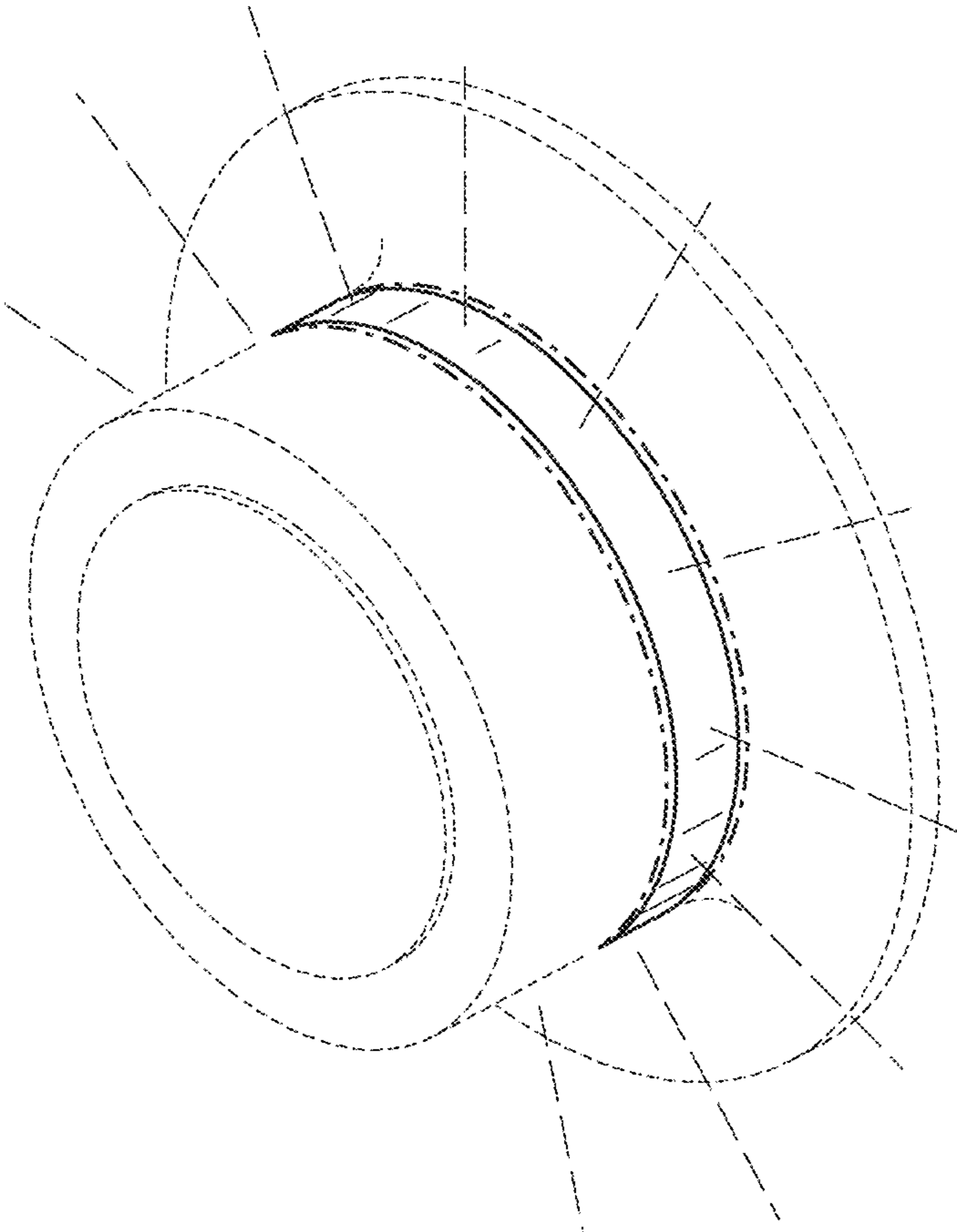


FIG. 5