



US00D912781S

(12) **United States Design Patent** (10) **Patent No.:** **US D912,781 S**
He (45) **Date of Patent:** **** Mar. 9, 2021**

(54) **FAUCET**

(71) Applicant: **Guangzhou Weisihui Jiaju Co., LTD.**,
Guangzhou (CN)

(72) Inventor: **Min He**, Guangzhou (CN)

(**) Term: **15 Years**

(21) Appl. No.: **29/702,076**

(22) Filed: **Aug. 16, 2019**

(51) **LOC (13) Cl.** **23-01**

(52) **U.S. Cl.**
USPC **D23/242**

(58) **Field of Classification Search**
USPC D23/237, 238, 240–243, 249, 254, 255,
D23/257; D6/524
CPC E03C 1/0401; E03C 1/04; E03C 1/0402;
E03C 1/0404; Y10T 137/9464
See application file for complete search history.

(56) **References Cited**

U.S. PATENT DOCUMENTS

D460,525 S * 7/2002 Green D23/241
D535,725 S * 1/2007 Chu D23/241
D564,073 S * 3/2008 Shieh D23/238

D643,513 S * 8/2011 Wu D23/242
D793,534 S * 8/2017 Fritz D23/242
D822,171 S * 7/2018 Bennett D23/242
D865,126 S * 10/2019 Zeng D23/242

* cited by examiner

Primary Examiner — John A Voytek
(74) *Attorney, Agent, or Firm* — Novoclaims Patent
Services LLC; Mei Lin Wong

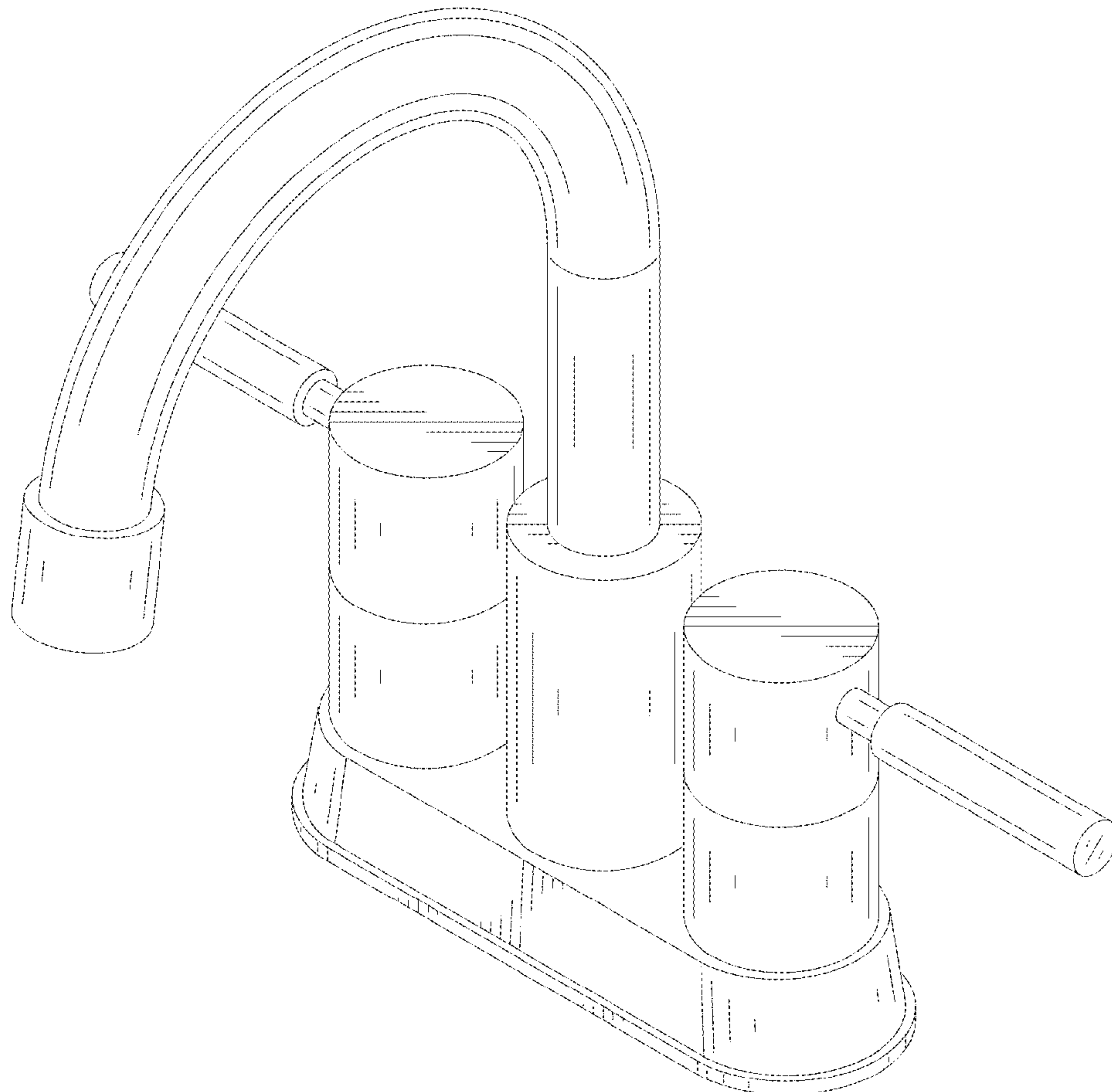
(57) **CLAIM**

The ornamental design for a faucet, as shown and described.

DESCRIPTION

FIG. 1 is a front perspective view of a faucet, showing my new design;
FIG. 2 is a rear perspective view thereof;
FIG. 3 is a front elevational view thereof;
FIG. 4 is a rear elevational view thereof;
FIG. 5 is a left side elevational view thereof;
FIG. 6 is a right side elevational view thereof;
FIG. 7 is a top plan view thereof; and,
FIG. 8 is a bottom plan view thereof.
The broken lines in the drawings depict portions of the faucet that form no part of the claimed design.

1 Claim, 8 Drawing Sheets



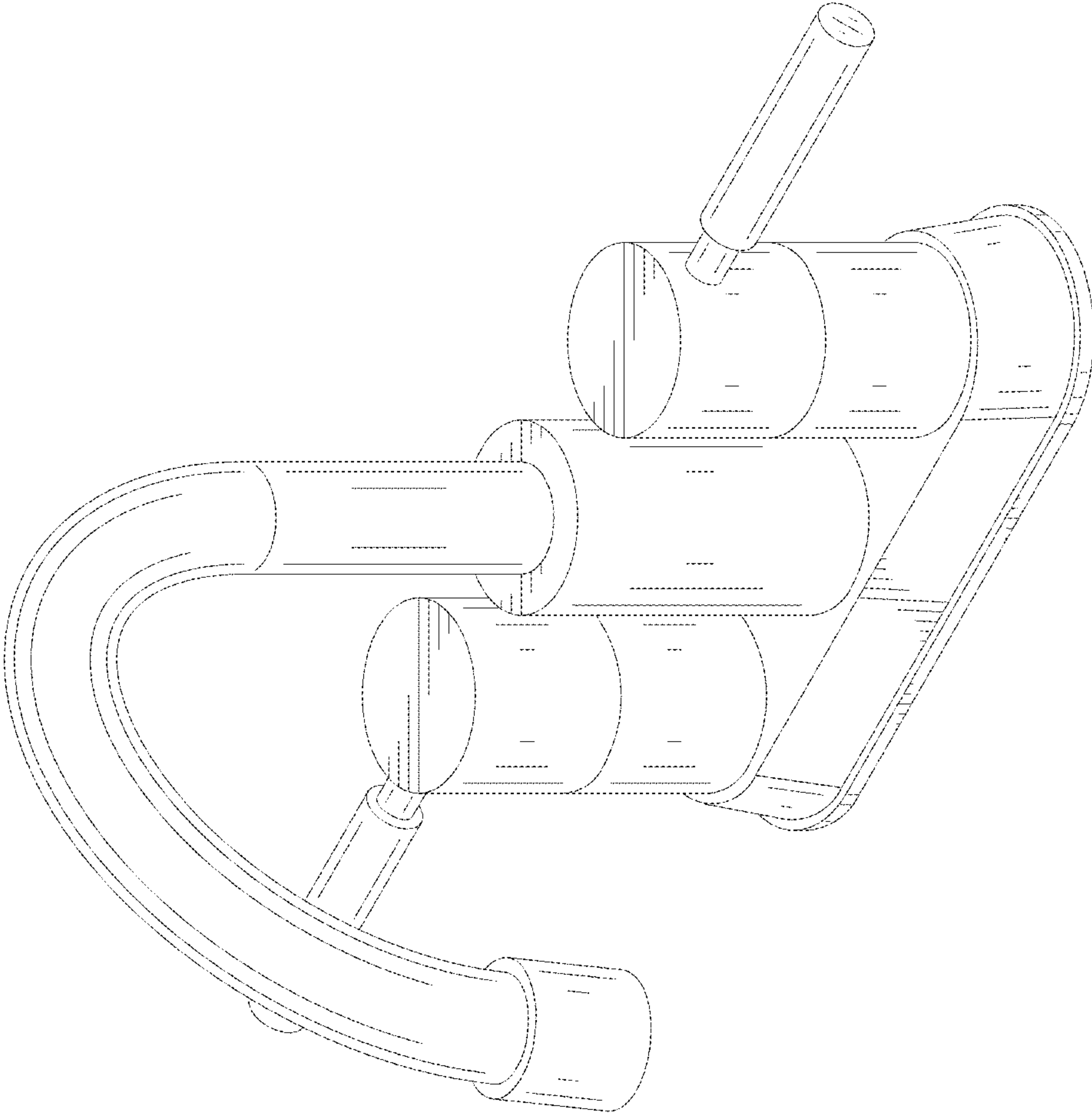


FIG.1

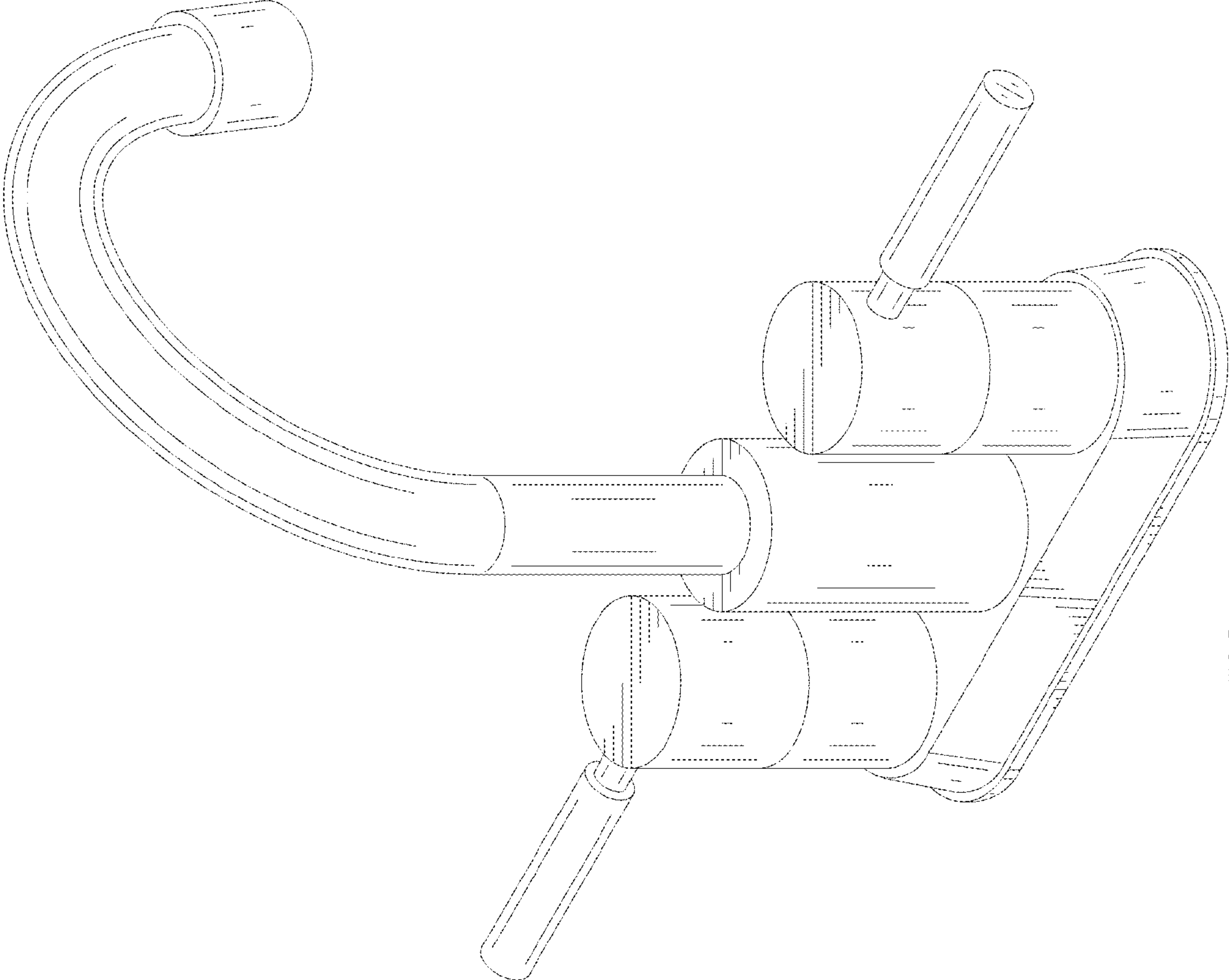


FIG.2

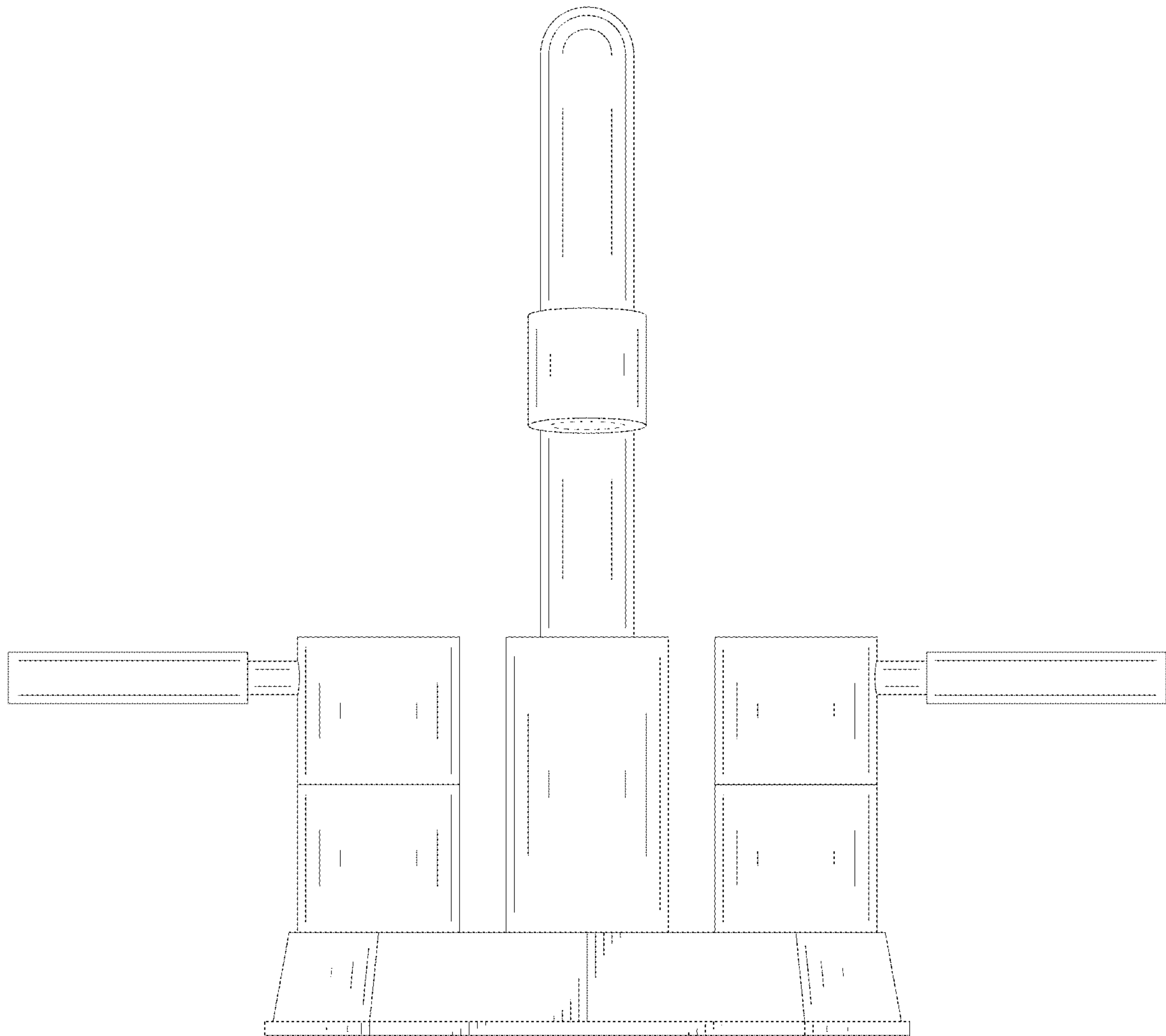


FIG.3

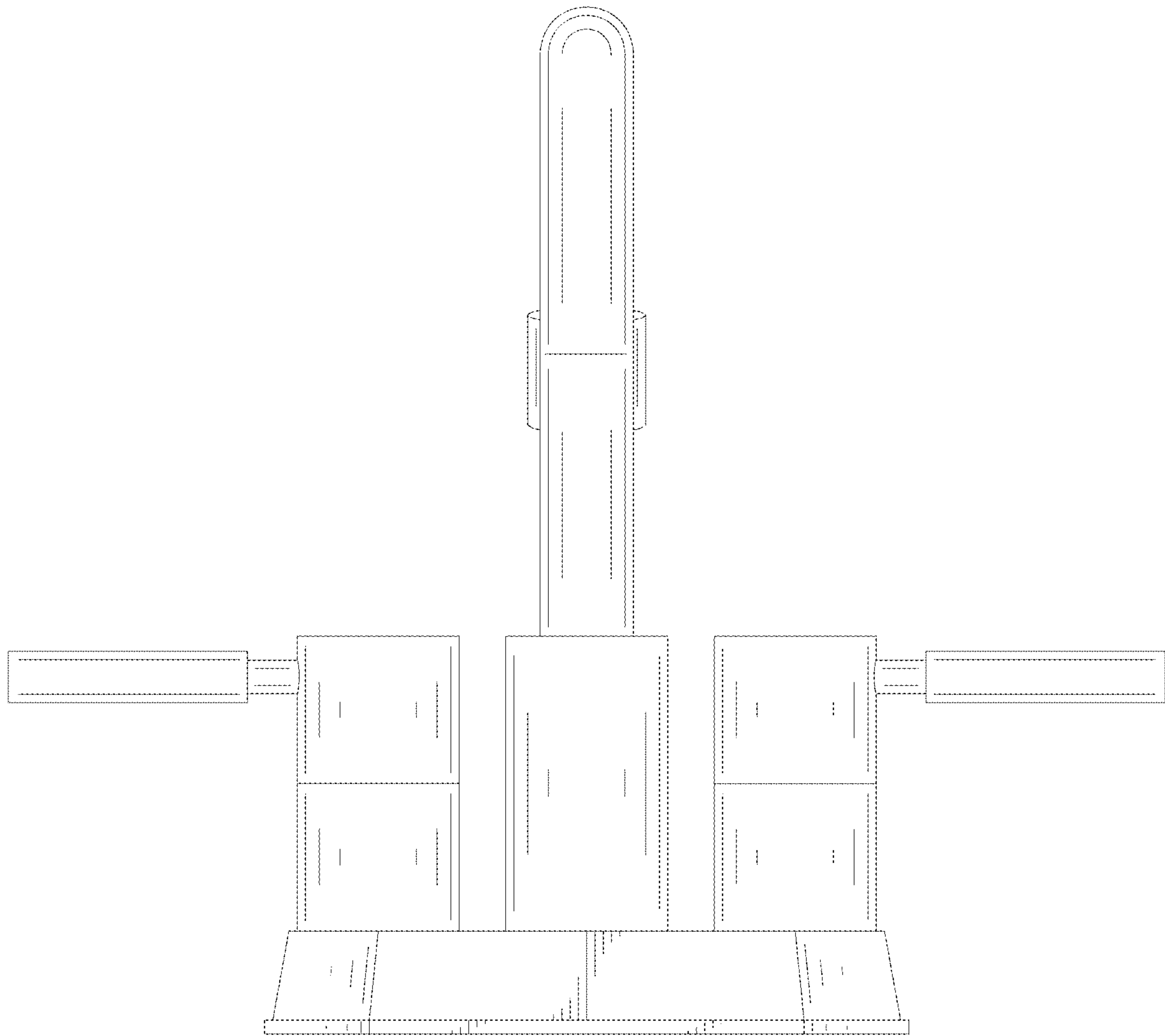


FIG.4

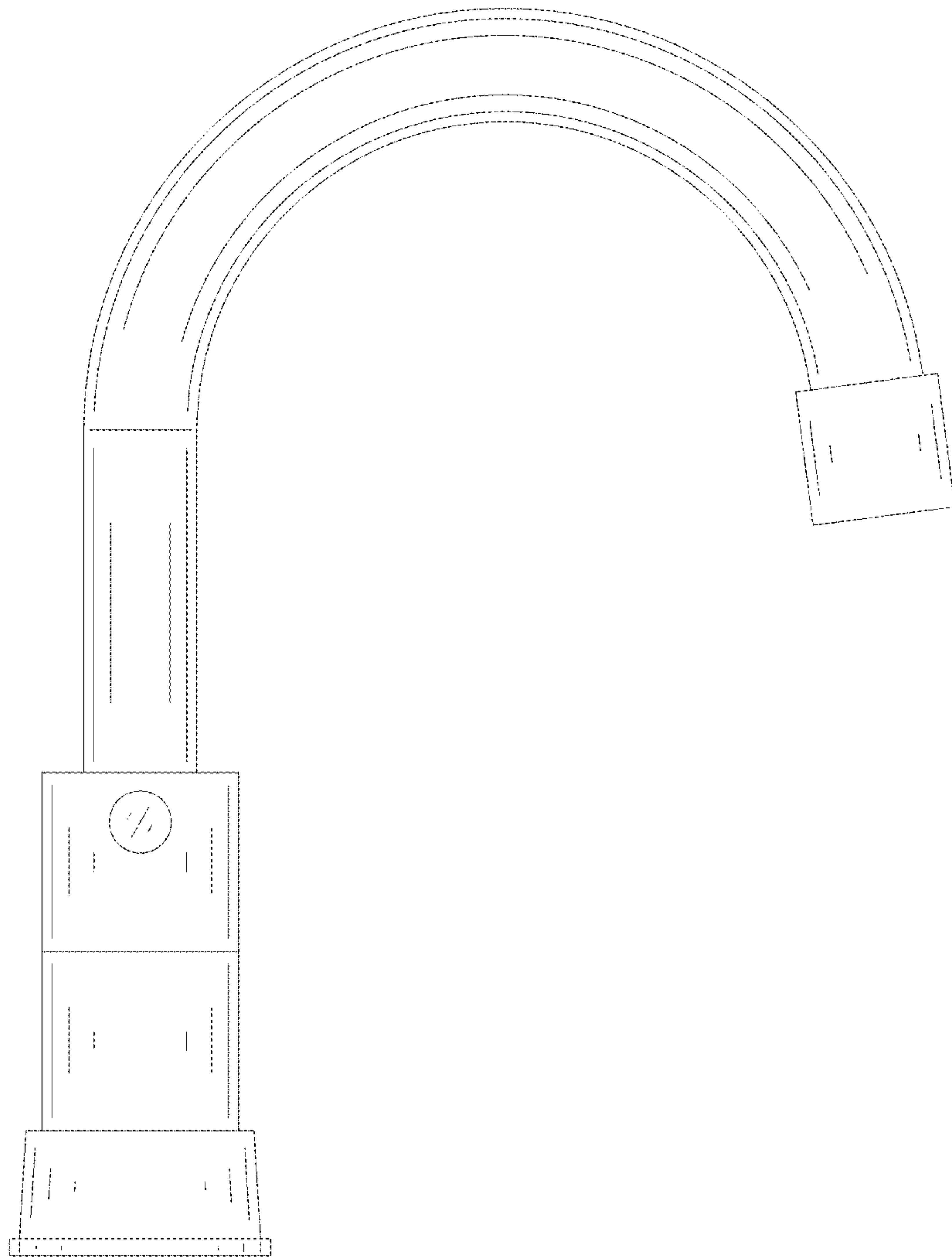


FIG.5

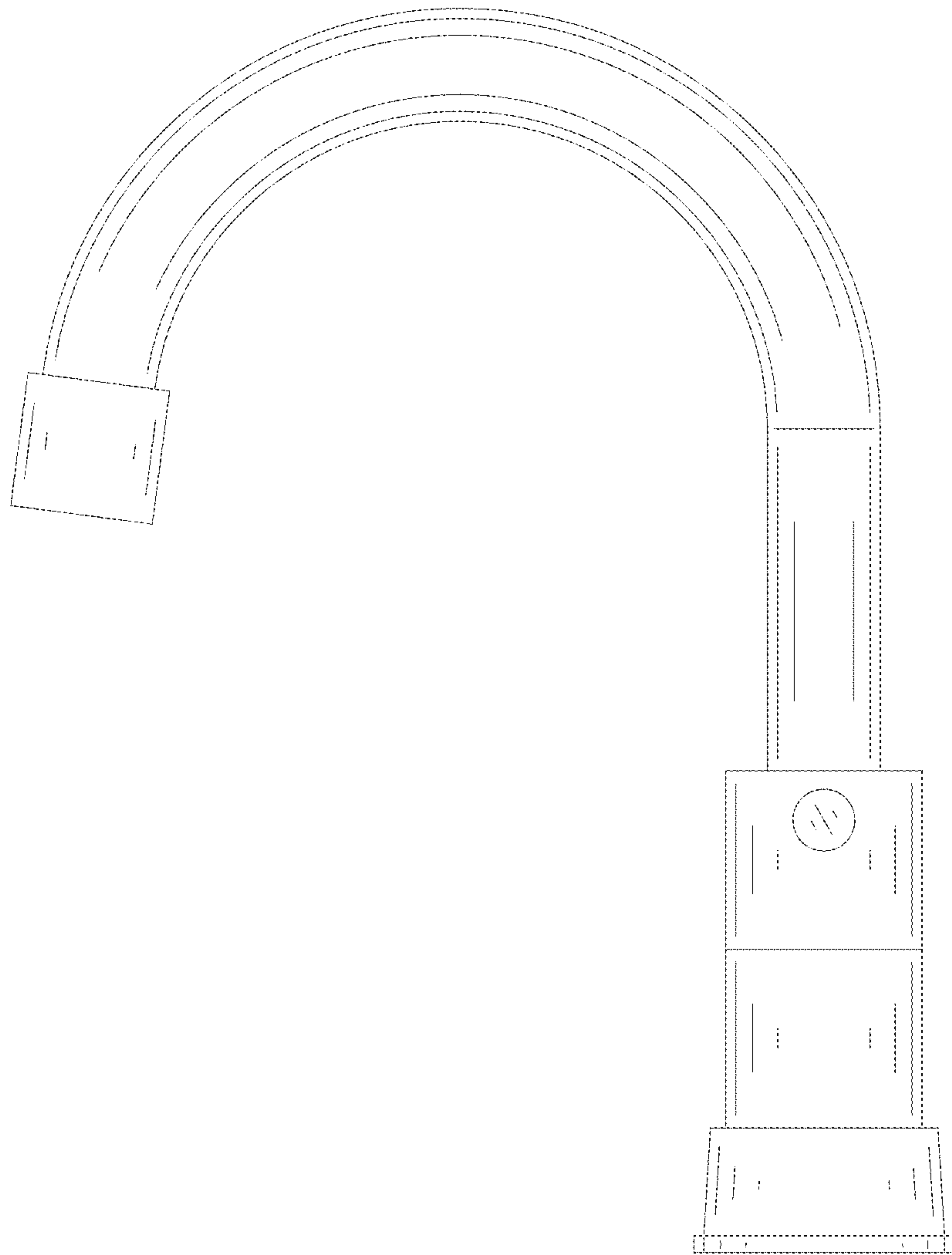


FIG. 6

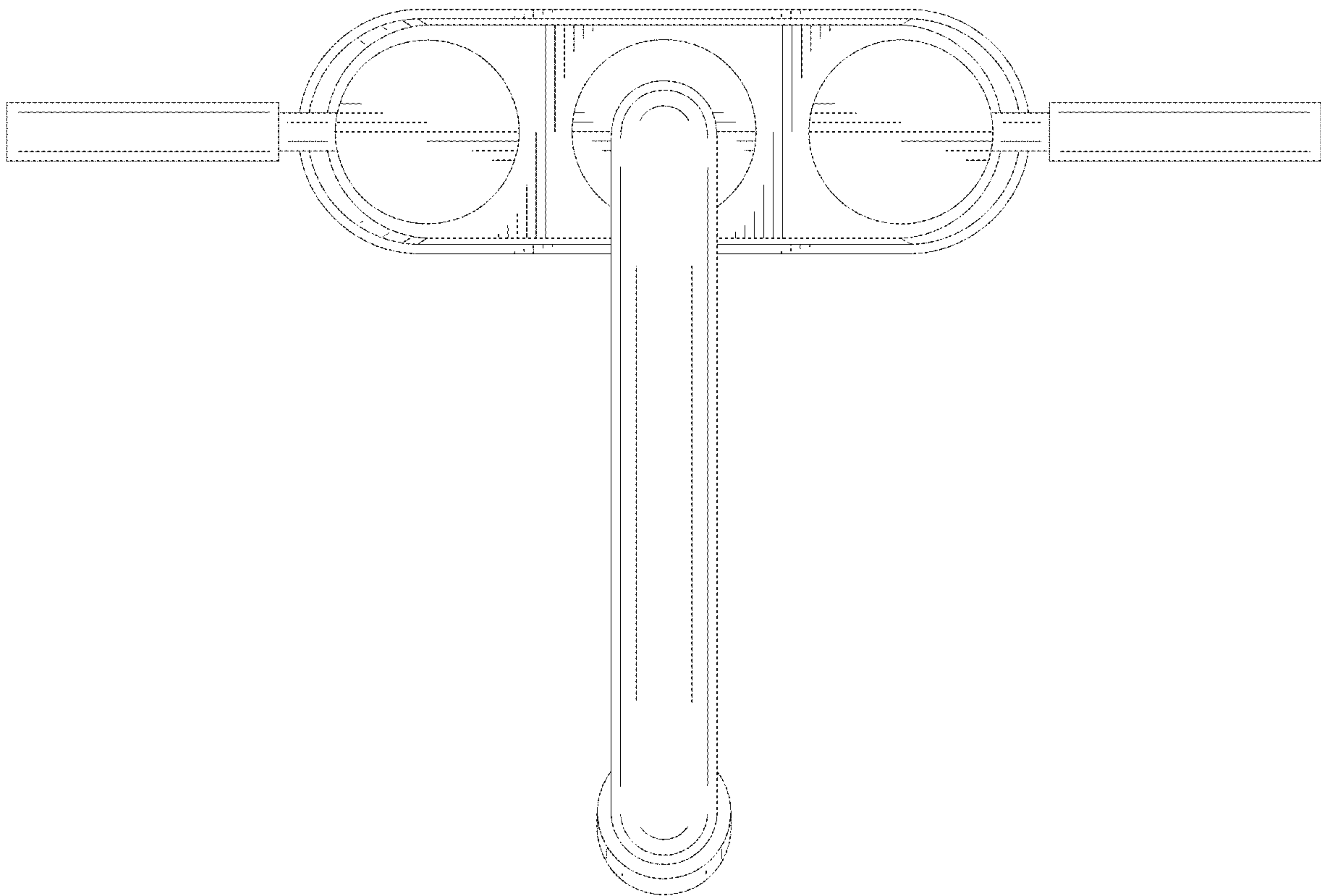


FIG.7

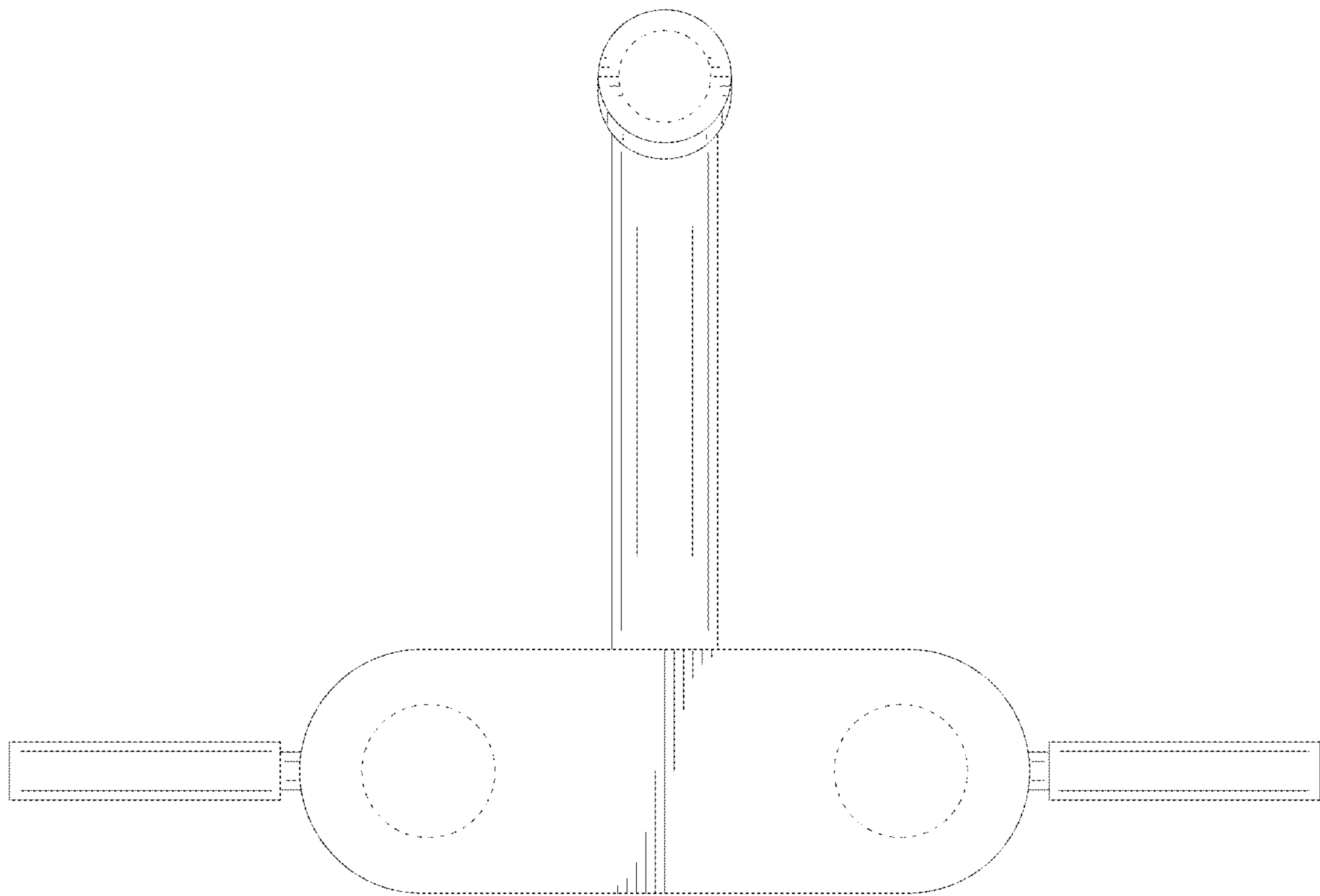


FIG.8