



US00D912780S

(12) **United States Design Patent**  
**Levi**

(10) **Patent No.:** **US D912,780 S**  
(45) **Date of Patent:** **\*\* Mar. 9, 2021**

(54) **FAUCET**

D696,750 S \* 12/2013 Standefer ..... D23/242  
8,869,821 B2 10/2014 Laera  
D735,298 S 7/2015 Eads

(Continued)

(71) Applicant: **ICG Licensing LLC**, Port Washington, NY (US)

**FOREIGN PATENT DOCUMENTS**

(72) Inventor: **Russell Levi**, Port Washington, NY (US)

CN 109340429 A 2/1919  
CN 2630326 Y 8/2004

(Continued)

(73) Assignee: **ICG LICENSING LLC**, Port Washington, NY (US)

**OTHER PUBLICATIONS**

(\*\*) Term: **15 Years**

Kraus Urbix Industrial Bridge Kitchen Faucet with Side Sprayer [Sep. 9, 2020] found online [Sep. 9, 2020]—<https://www.kraususa.com/kitchen/kitchen-faucets/industrial-bridge-kitchen-faucet-with-side-sprayer-in-matte-black-red.html>.\*

(Continued)

(21) Appl. No.: **29/701,758**

(22) Filed: **Aug. 14, 2019**

(51) **LOC (13) Cl.** ..... **23-01**

(52) **U.S. Cl.**

USPC ..... **D23/242**

(58) **Field of Classification Search**

USPC ..... D23/238, 239, 240, 241, 242, 243, 249, D23/250, 255, 256, 257; D6/524

CPC ..... E03C 1/04; E03C 1/0401; E03C 1/0402; E03C 1/0404; E03C 1/0405; E03C 1/0412; Y10T 137/9464

See application file for complete search history.

*Primary Examiner* — John A Voytek

(74) *Attorney, Agent, or Firm* — Carter, DeLuca & Farrell LLP

(57)

**CLAIM**

The ornamental design for a faucet, as shown and described.

**DESCRIPTION**

FIG. 1 is a front perspective view of a faucet in accordance with the present design;

FIG. 2 is a front elevational view thereof;

FIG. 3 is a rear elevational view thereof;

FIG. 4 is a right side elevational view thereof;

FIG. 5 is a left side elevational thereof;

FIG. 6 is a top plan view thereof;

FIG. 7 is a bottom plan view thereof; and,

FIG. 8 is a perspective view of the faucet shown with a sprayer of the faucet in a pulled up alternative configuration of use.

The broken lines shown are included for the purpose of illustrating portions of the faucet that form no part of the claimed design.

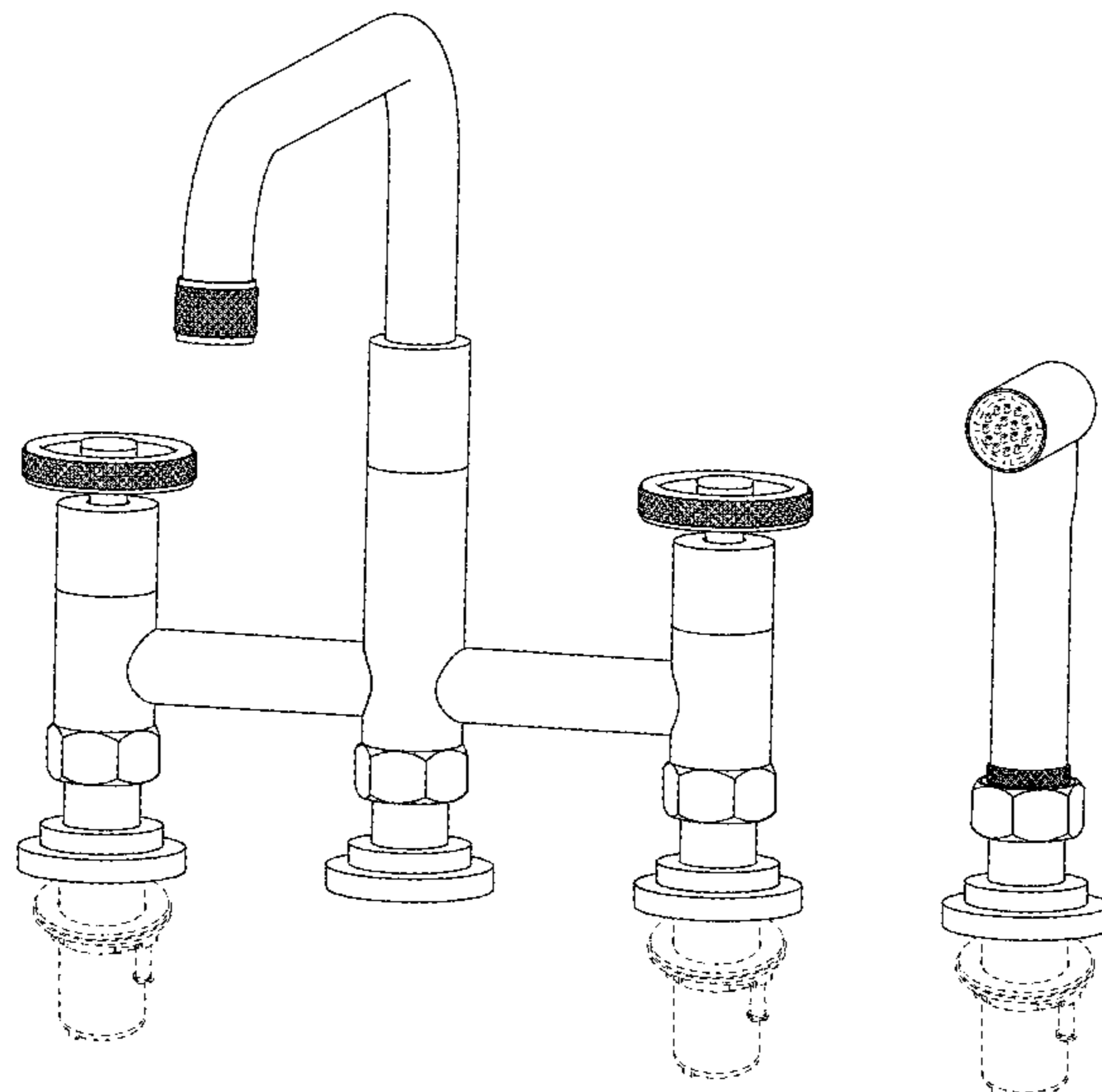
(56)

**References Cited**

**U.S. PATENT DOCUMENTS**

4,457,342	A	7/1984	Moen	
4,709,715	A	12/1987	Knight	
6,273,138	B1	8/2001	Yoney	
D479,309	S	9/2003	Haug et al.	
D520,114	S	5/2006	Starck	
D540,918	S *	4/2007	Haug	..... D23/241
7,389,796	B2	6/2008	Vilhelmsen	
D576,255	S	9/2008	Nobili	
D605,260	S	12/2009	Allard	
8,256,463	B2	9/2012	Farag et al.	
8,413,686	B2	4/2013	Ko	
D685,880	S *	7/2013	Fritz	..... D23/242

**1 Claim, 8 Drawing Sheets**



(56)

**References Cited**

U.S. PATENT DOCUMENTS

D797,245 S \* 9/2017 Downey ..... D23/242  
 D800,873 S 10/2017 Jewell  
 D803,360 S \* 11/2017 Rexach ..... D23/242  
 D823,990 S \* 7/2018 Downey ..... D23/242  
 D835,239 S \* 12/2018 Ziemann ..... D23/242  
 D840,510 S \* 2/2019 Garland ..... D23/242  
 D853,530 S \* 7/2019 Eads ..... D23/242  
 D857,844 S 8/2019 Levi  
 2007/0251590 A1 11/2007 Weinstein  
 2016/0215482 A1 7/2016 Fourman et al.  
 2018/0030700 A1 2/2018 Zindler et al.  
 2019/0078305 A1 3/2019 Lin et al.

FOREIGN PATENT DOCUMENTS

CN 2791419 Y 6/2006  
 CN 200940723 Y 8/2007  
 CN 103453197 B 7/2015  
 CN 104896136 A 9/2015  
 CN 204922092 U 12/2015

CN 206616624 U 11/2017  
 EP 2896759 A1 7/2015  
 WO 8706861 A1 11/1987

OTHER PUBLICATIONS

U.S. Appl. No. 29/551,955, filed Jan. 19, 2016 in the name of ICG Licensing LLC.  
 U.S. Appl. No. 29/551,697, filed Jan. 15, 2016 in the name of ICG Licensing LLC.  
 U.S. Appl. No. 29/701,090, filed Aug. 8, 2019 in the name of Kraus USA, Inc.  
 U.S. Appl. No. 29/701,571, filed Aug. 13, 2019 in the name of Kraus USA, Inc.  
 U.S. Appl. No. 29/701,573, filed Aug. 13, 2019 in the name of Kraus USA, Inc.  
 U.S. Appl. No. 29/701,574, filed Aug. 13, 2019 in the name of Kraus USA, Inc.  
 U.S. Appl. No. 29/701,754, filed Aug. 14, 2019 in the name of Kraus USA, Inc.  
 U.S. Appl. No. 29/701,757, filed Aug. 14, 2019 in the name of Kraus USA, Inc.

\* cited by examiner

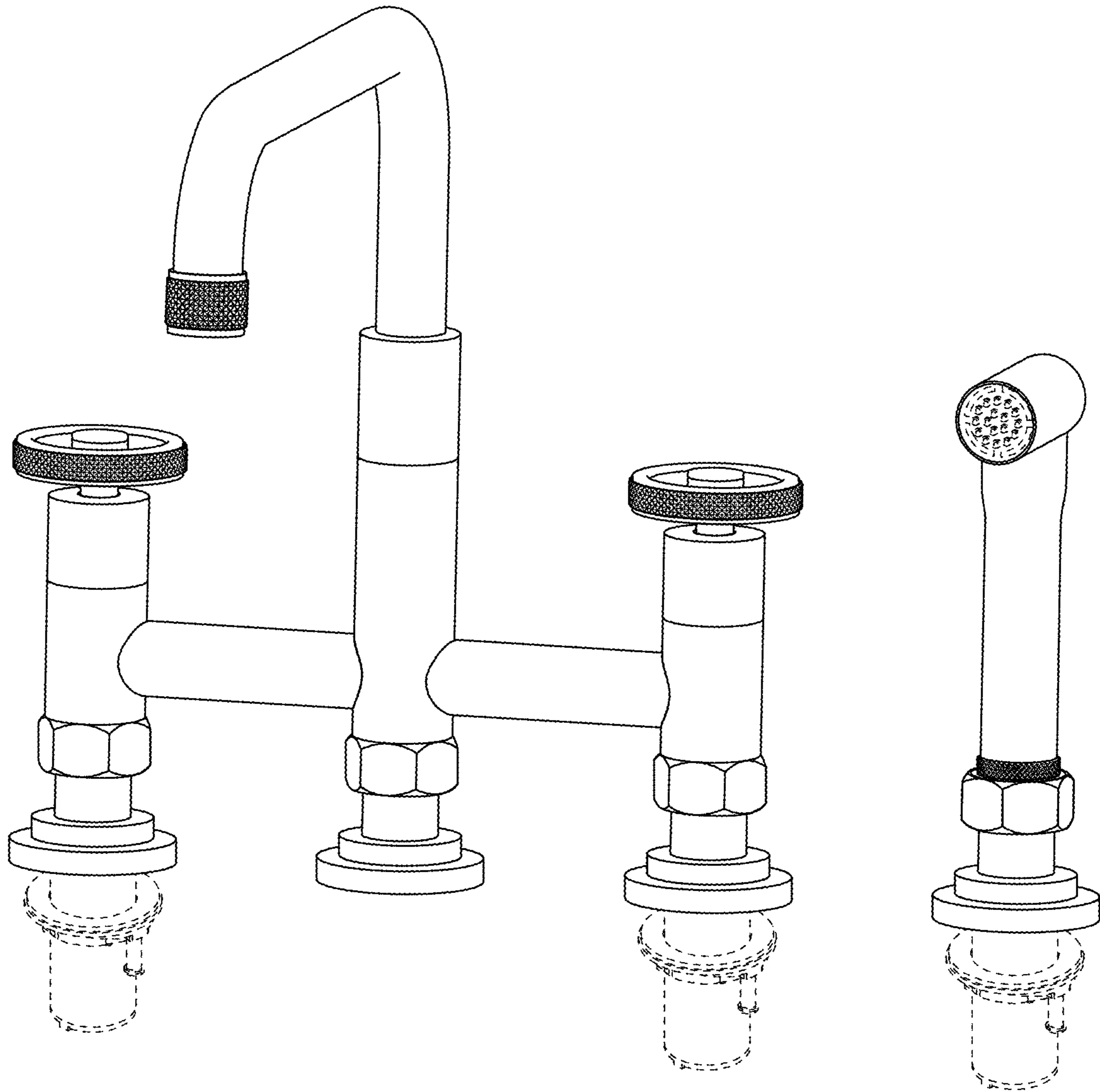


FIG. 1

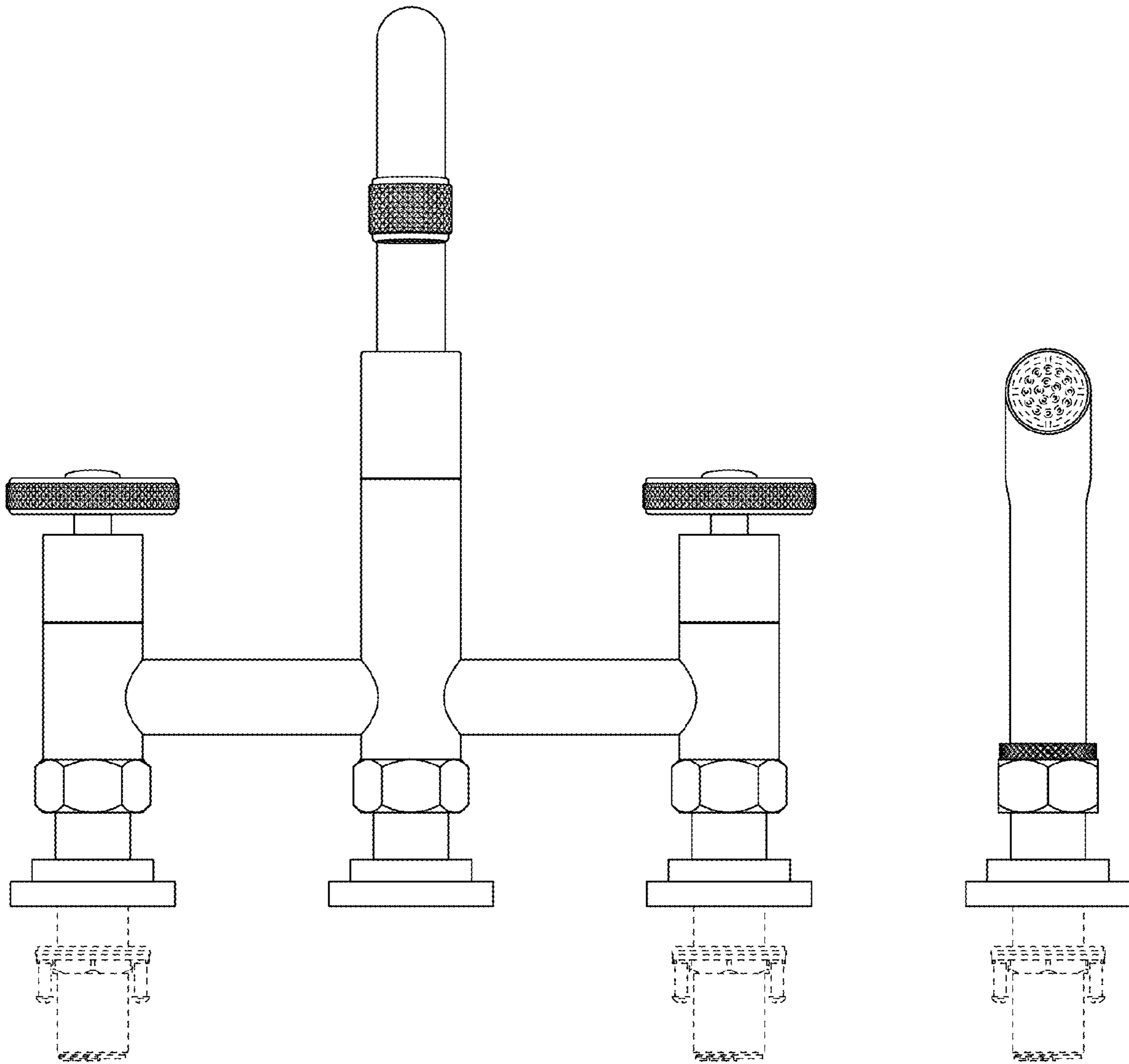


FIG. 2

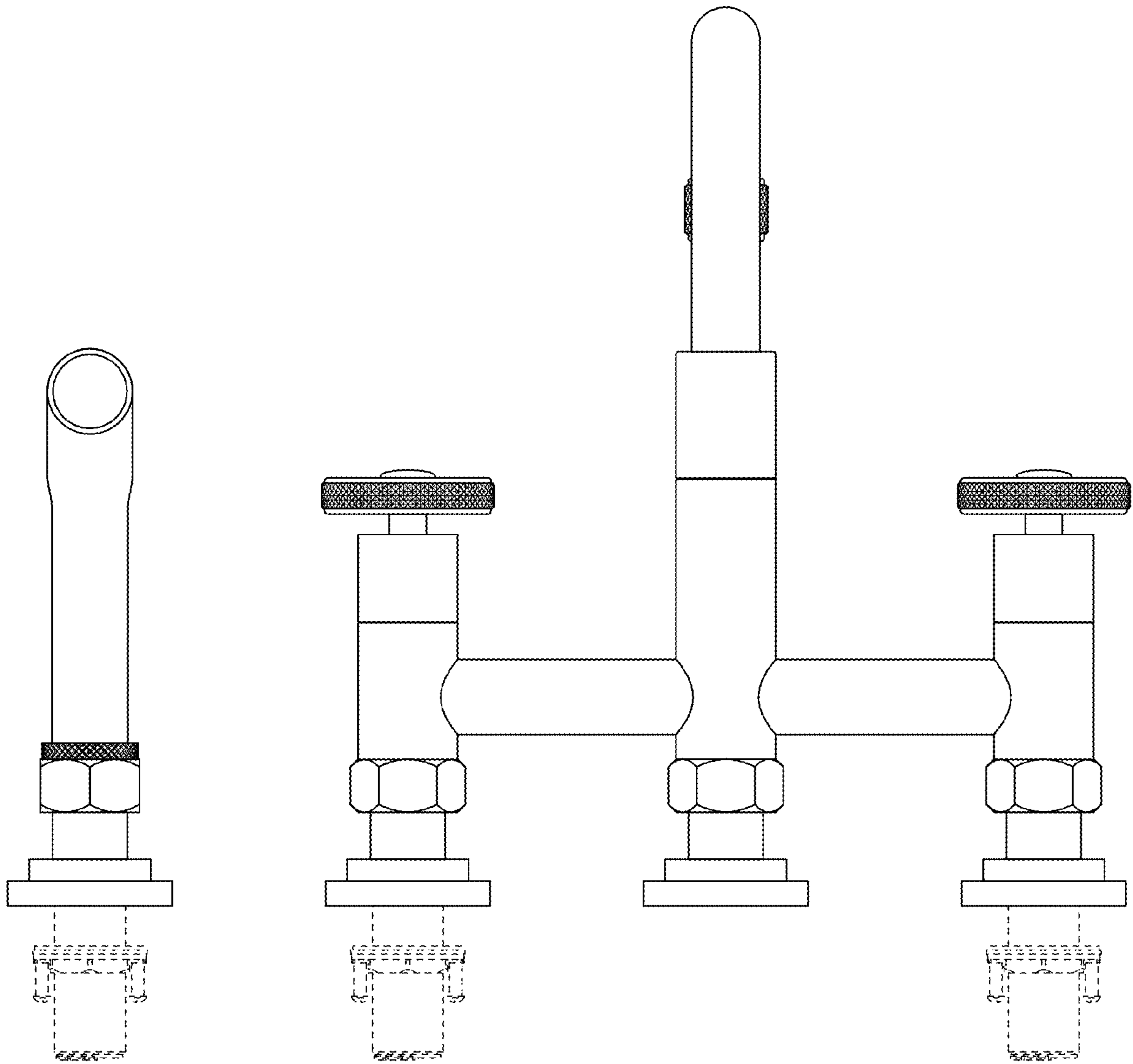


FIG. 3

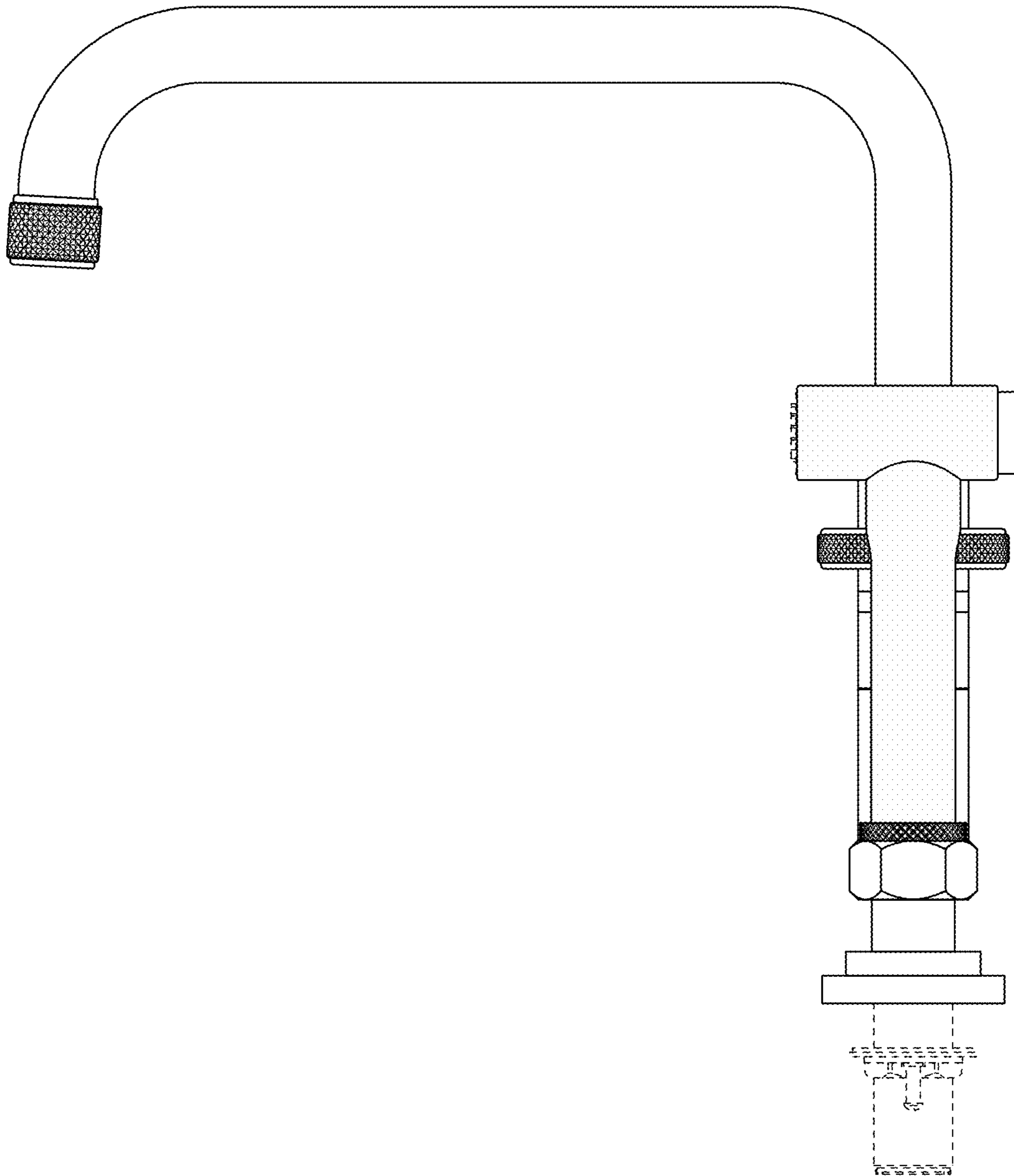


FIG. 4

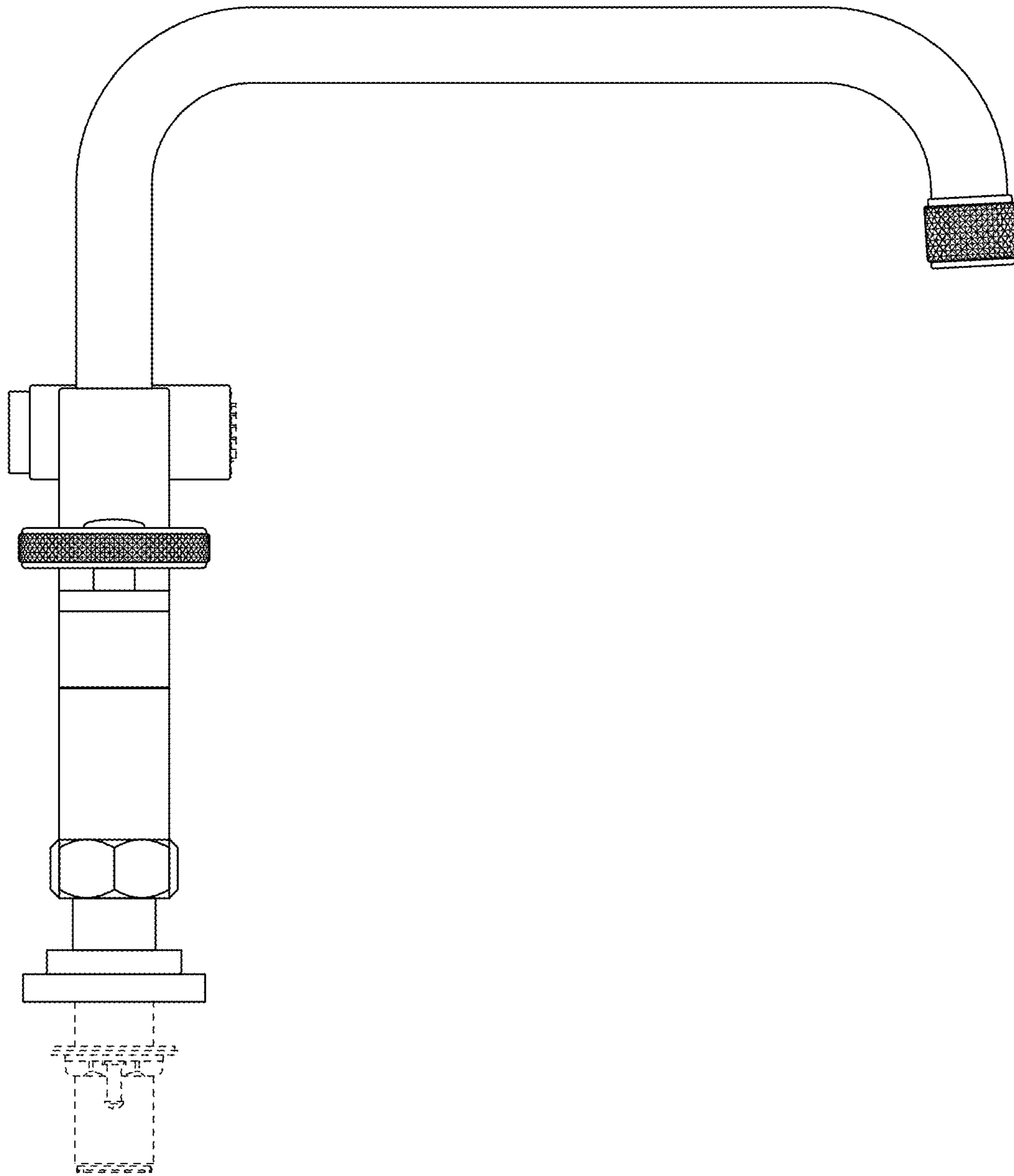


FIG. 5

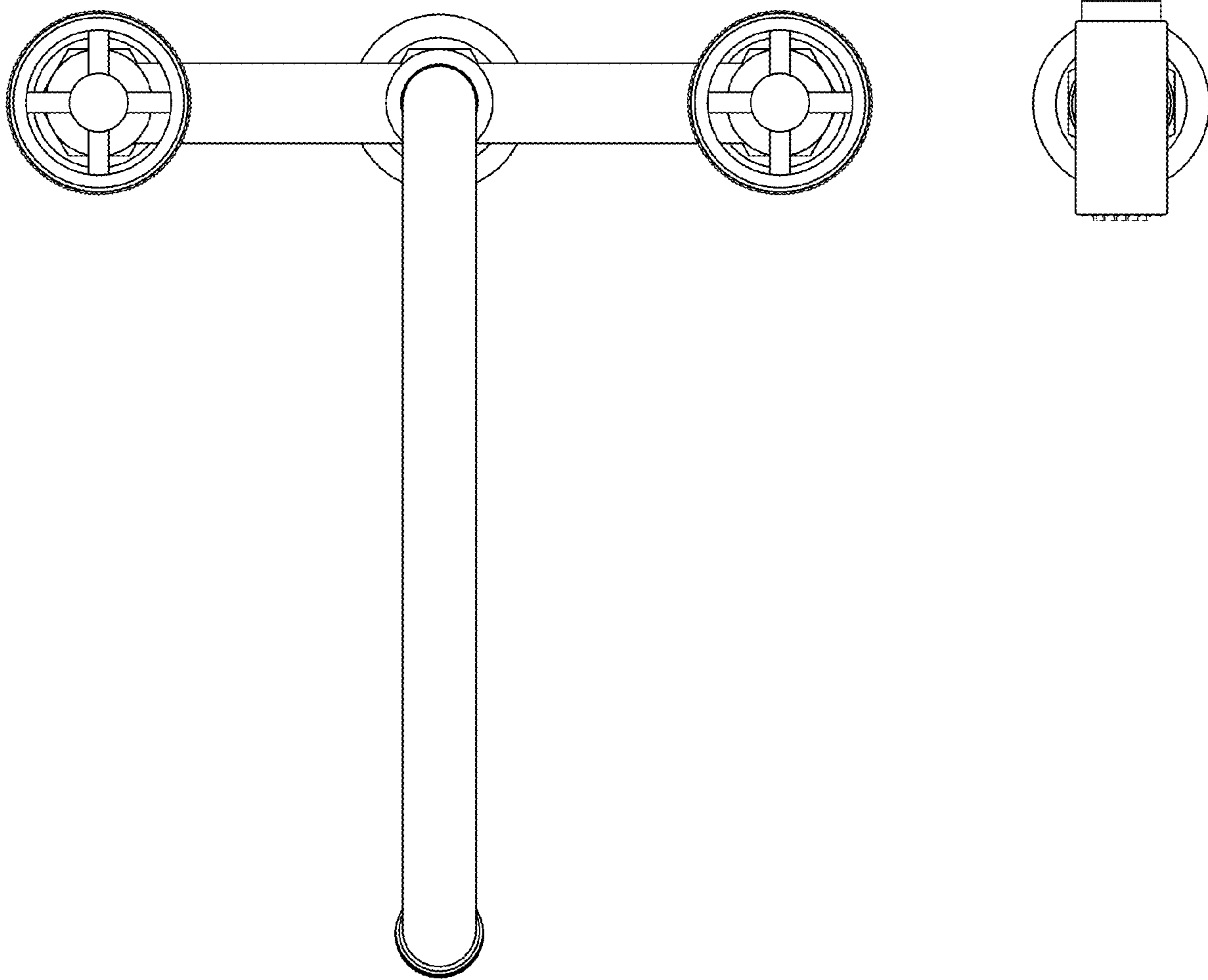


FIG. 6



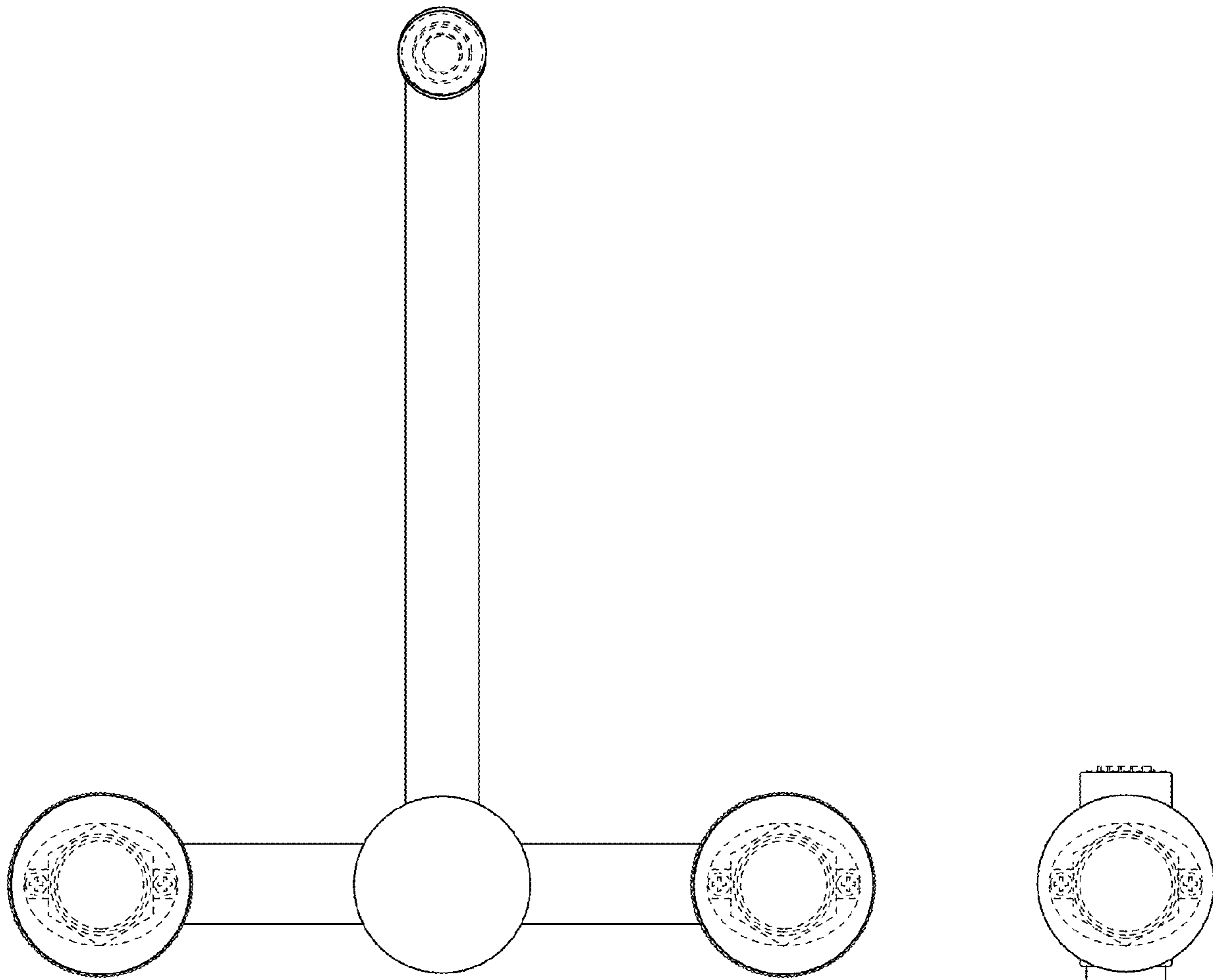


FIG. 7

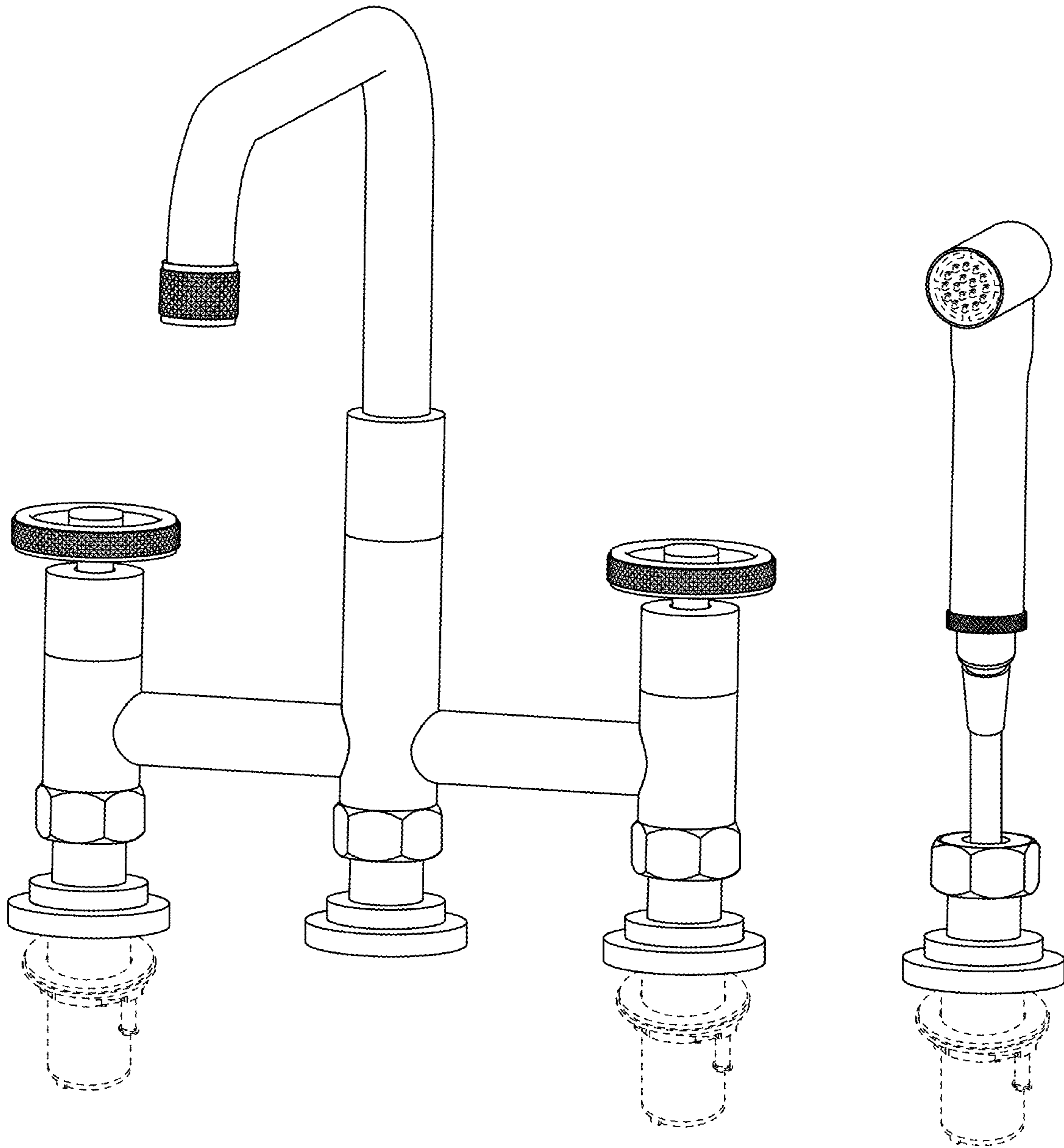


FIG. 8